

US00D666014S

(12) **United States Design Patent**  
**Gruszynski**

(10) **Patent No.:** **US D666,014 S**

(45) **Date of Patent:** **\*\* Aug. 28, 2012**

(54) **RETRACTABLE STOOL**

(76) Inventor: **Ezra Fassero Gruszynski**, Crivitz, WI  
(US)

(\*\*) Term: **14 Years**

(21) Appl. No.: **29/399,009**

(22) Filed: **Aug. 8, 2011**

(51) **LOC (9) Cl.** ..... **06-01**

(52) **U.S. Cl.** ..... **D6/353**

(58) **Field of Classification Search** ..... D6/335,  
D6/340, 349-355, 495, 500-502; 297/16.1,  
297/175, 187, 195.1, 423.1, 423.11, 423.14,  
297/423.16, 461, 462

See application file for complete search history.

D341,259 S *	11/1993	Mele .....	D6/364
D350,651 S *	9/1994	Emery .....	D6/364
D365,695 S *	1/1996	Sibbitt, Sr. ....	D6/364
D432,246 S	10/2000	Pestone	
D467,745 S *	12/2002	Ryan .....	D6/364
D473,389 S *	4/2003	Ryan .....	D6/364
D485,742 S *	1/2004	Heberle .....	D8/354
D524,065 S *	7/2006	Jacobs .....	D6/335
D597,324 S *	8/2009	Sherer .....	D6/335
D617,107 S	6/2010	Thuente et al.	

\* cited by examiner

*Primary Examiner* — Sandra Snapp

(74) *Attorney, Agent, or Firm* — Steven H. Greenfield;  
Greenfield Invention and Patent Consulting Inc.

(57) **CLAIM**

The ornamental design for a retractable stool, as shown and described.

(56) **References Cited**

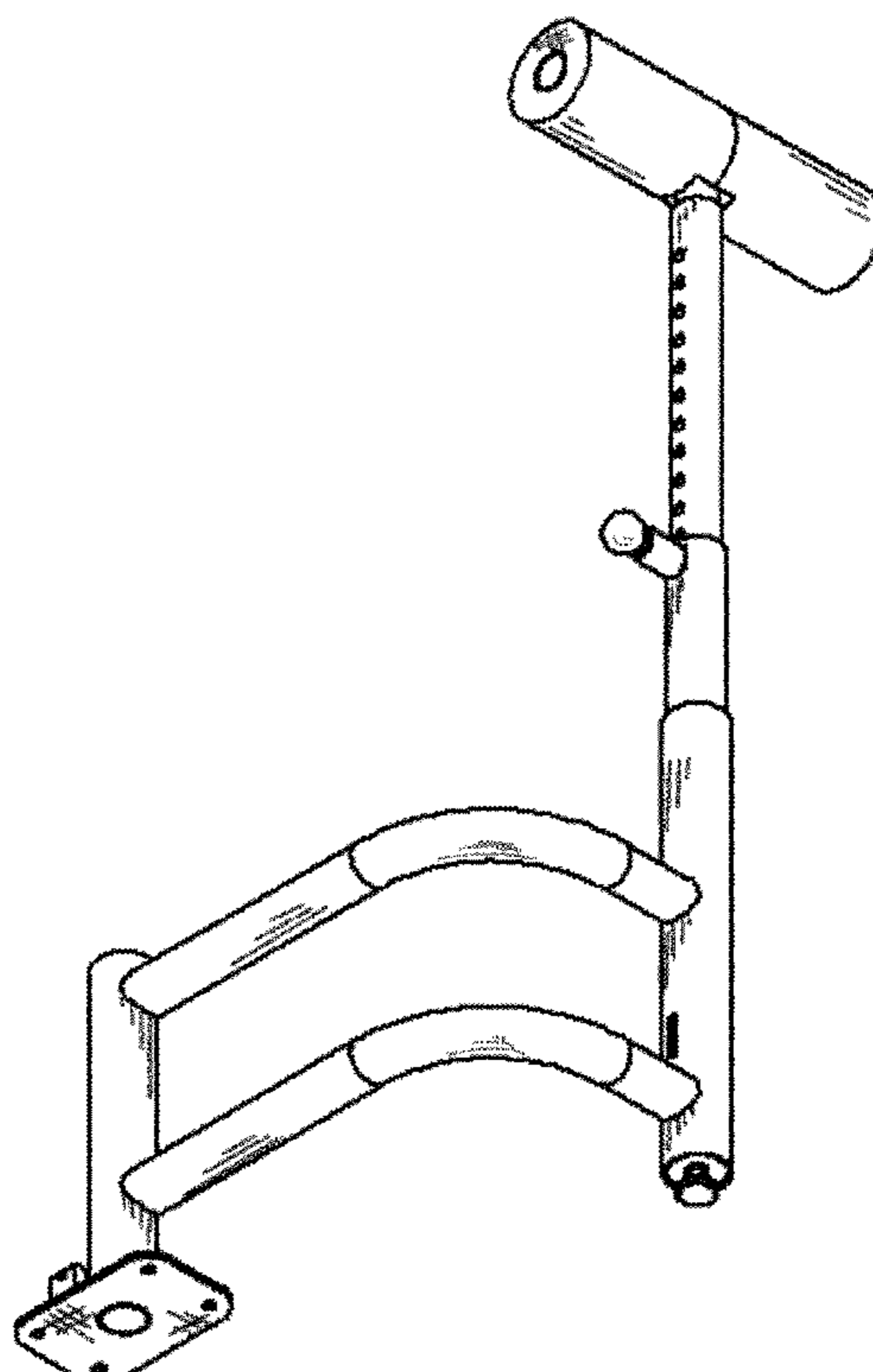
U.S. PATENT DOCUMENTS

D56,169 S	8/1920	Jones et al.	
D167,675 S *	9/1952	Chancellor .....	D6/336
2,625,985 A *	1/1953	Morgan et al. ....	248/121
D171,652 S *	3/1954	Keady .....	D6/336
D178,425 S	7/1956	Pollard et al.	
3,283,733 A *	11/1966	Boerma .....	108/159
3,467,003 A *	9/1969	Schmid .....	100/116
D239,482 S	4/1976	Sparrow et al.	
4,098,478 A *	7/1978	Spitzke .....	248/156
D251,879 S	5/1979	Green	
D299,189 S *	1/1989	Large et al. ....	D6/335
D309,989 S *	8/1990	Gotts .....	D6/364
D322,897 S	1/1992	McNamara	
D325,679 S	4/1992	O'Mealy et al.	

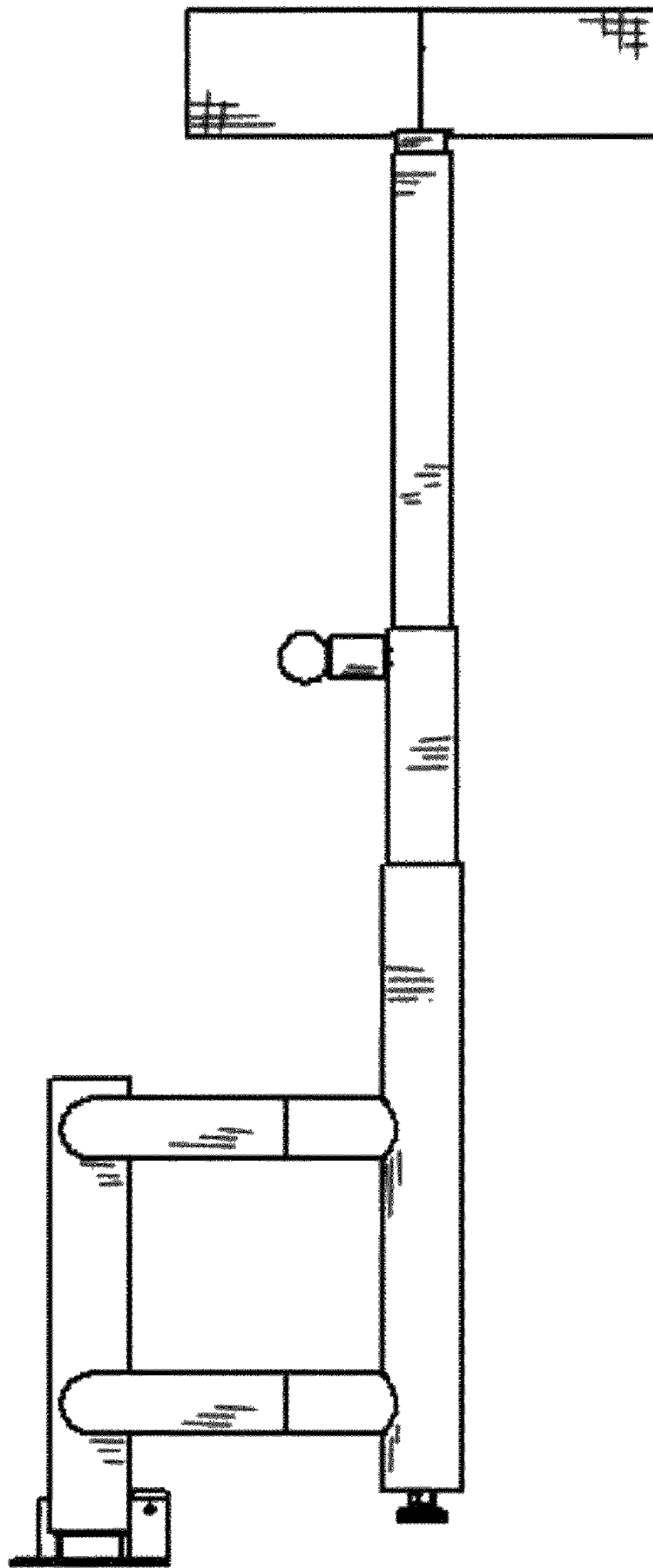
**DESCRIPTION**

FIG. 1 is a front view of the retractable stool showing my new design;  
FIG. 2 is a rear plan view thereof;  
FIG. 3 is a right side plan view thereof;  
FIG. 4 is a left side plan view thereof;  
FIG. 5 is a top view thereof;  
FIG. 6 is a bottom view thereof;  
FIG. 7 is a top elevational plan view thereof; and,  
FIG. 8 is a bottom elevational plan view thereof.  
My new design is for a support stool that may be stored and retracted from under a counter.

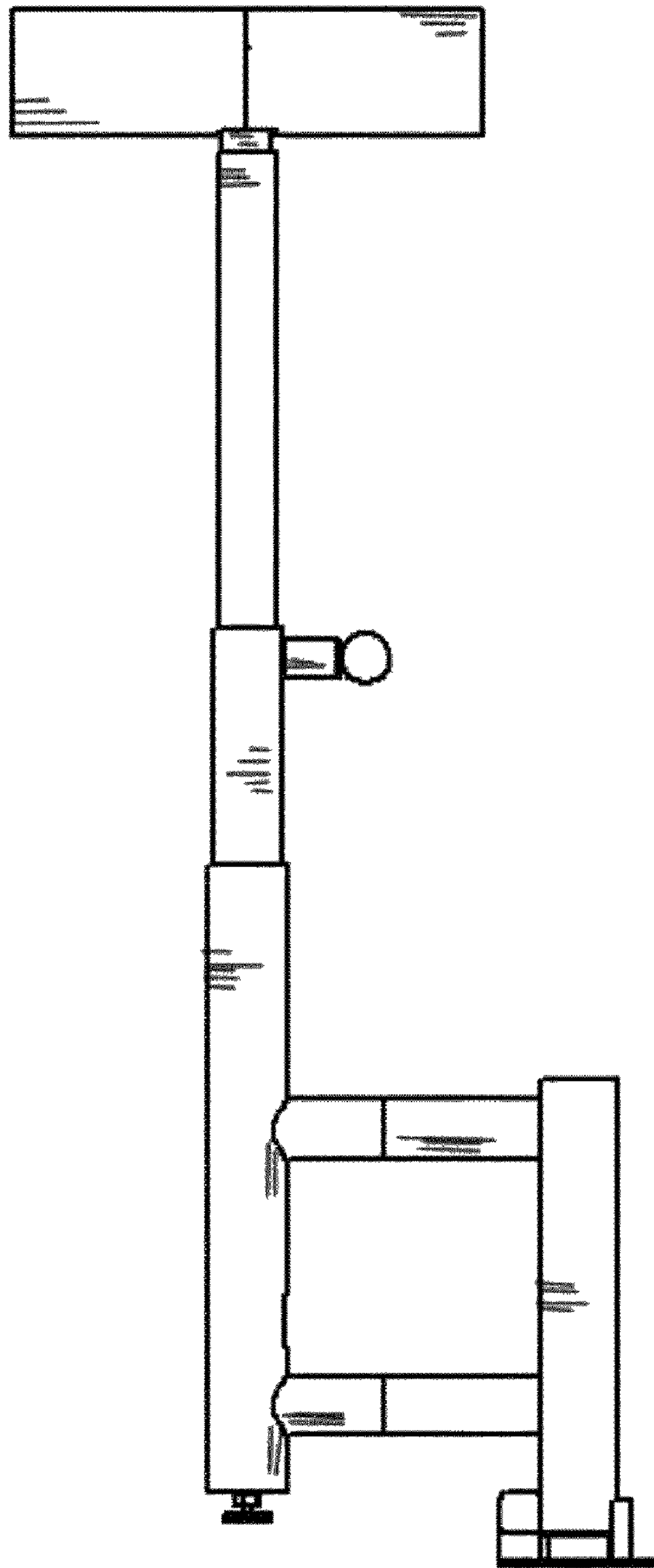
**1 Claim, 8 Drawing Sheets**



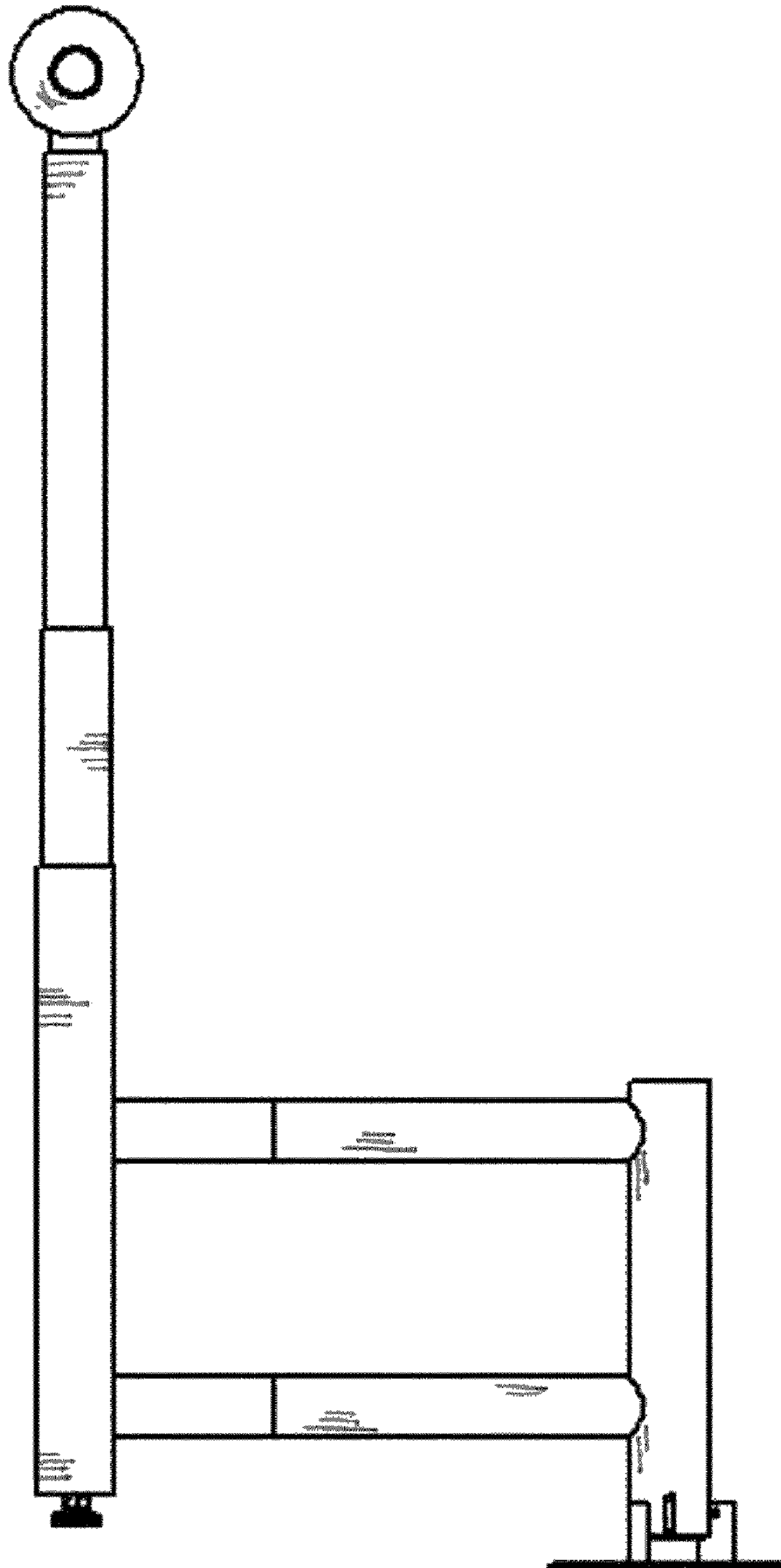
**FIG. 1**



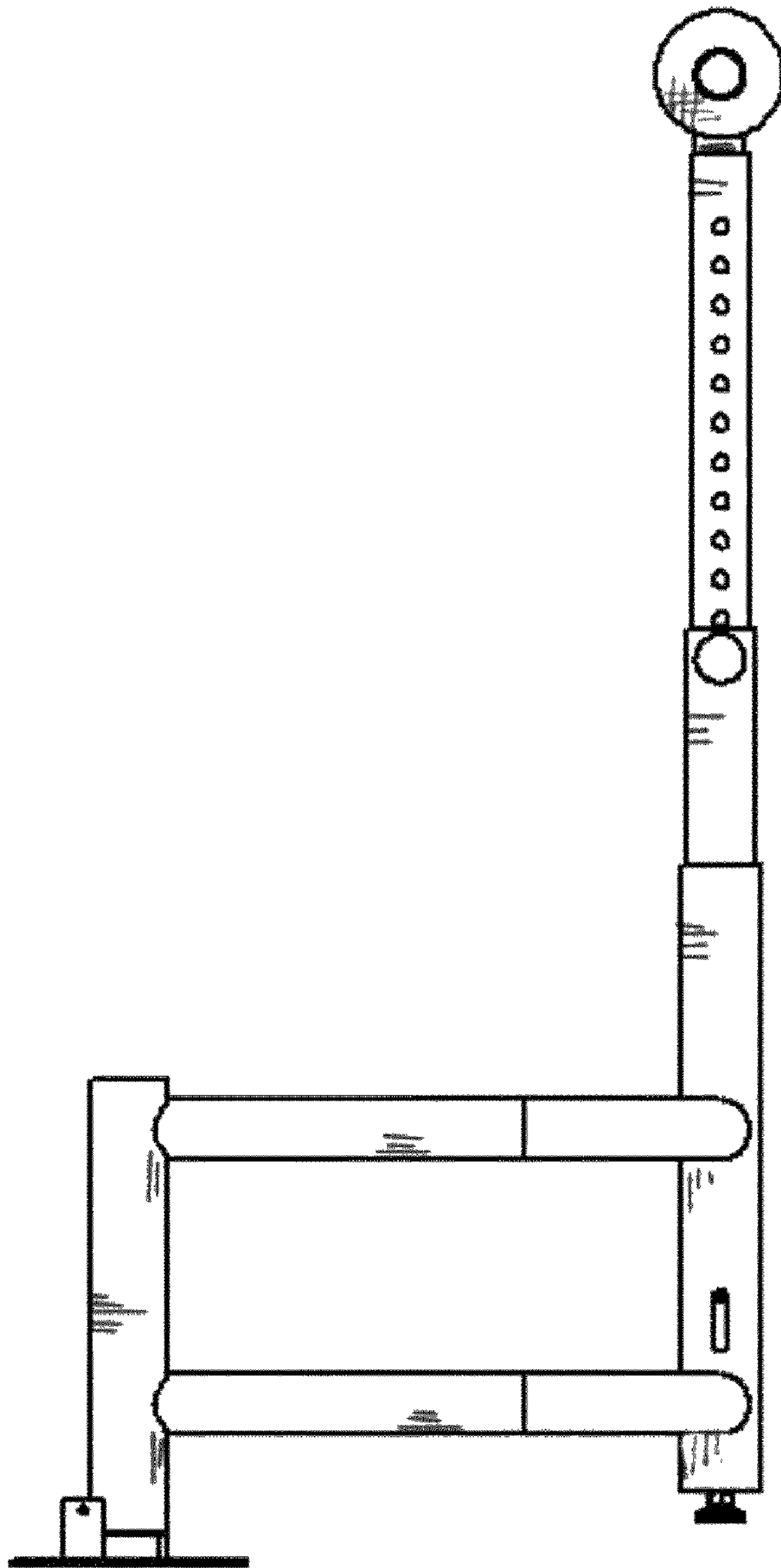
**FIG. 2**



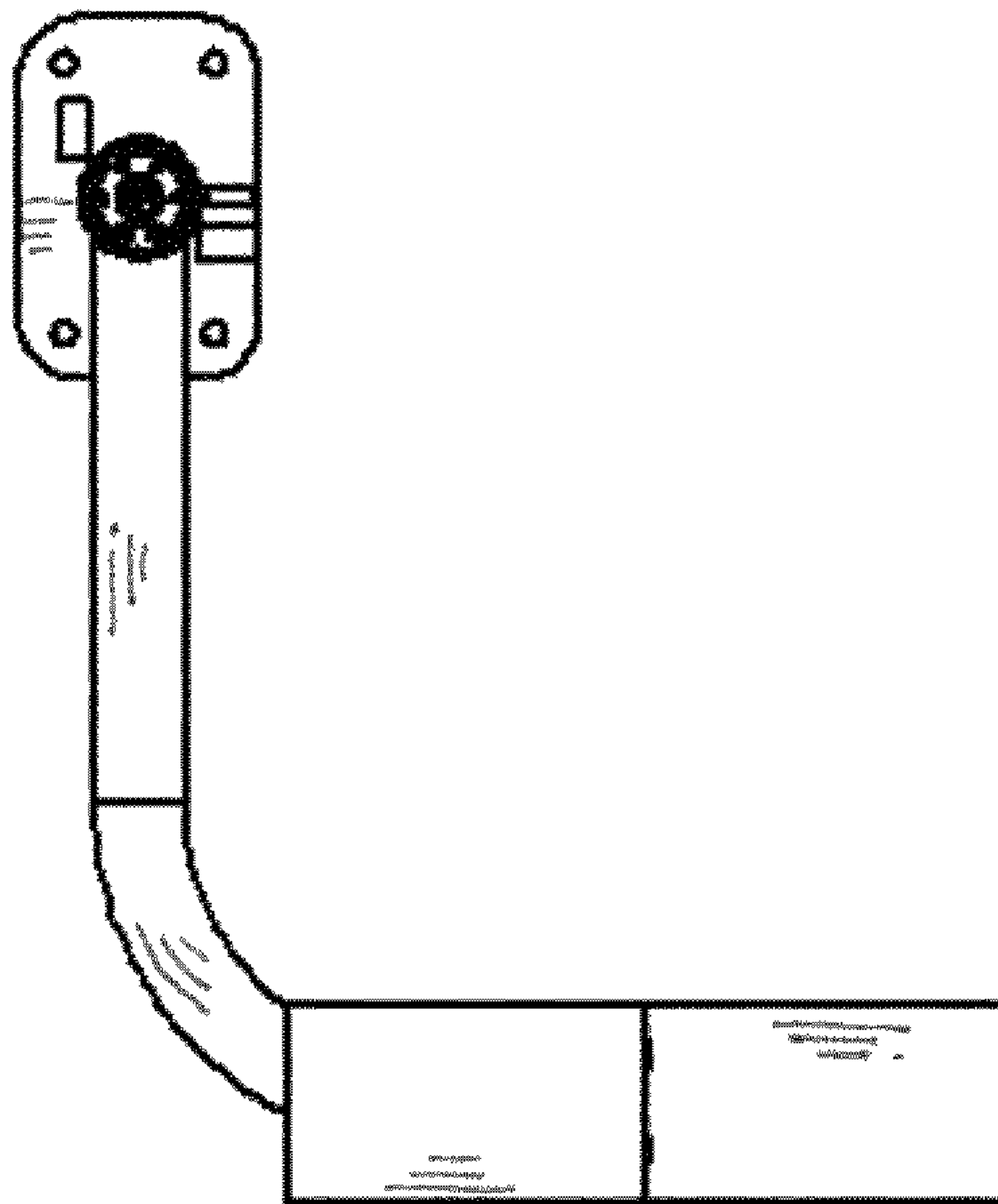
**FIG. 3**



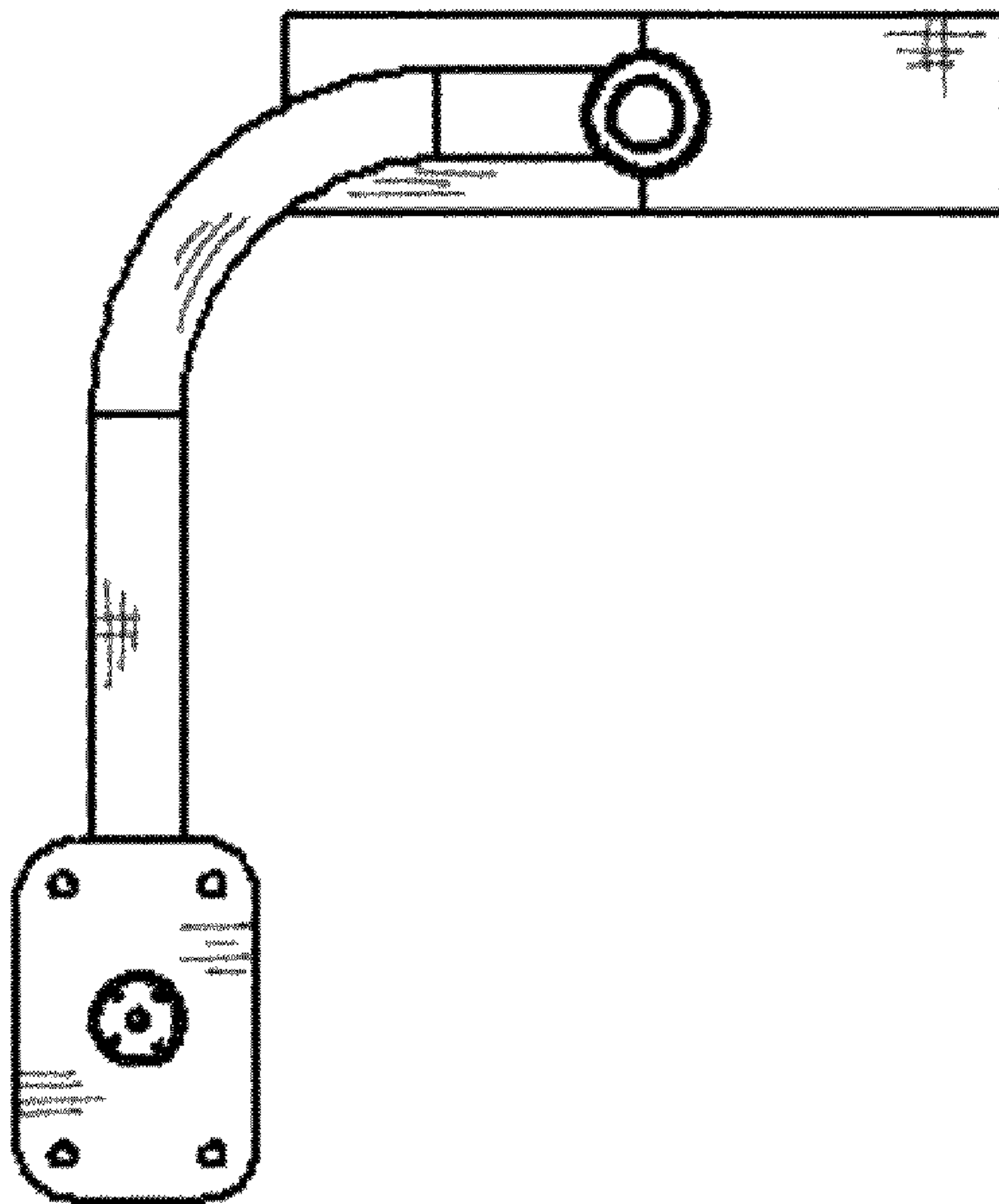
**FIG. 4**



**FIG. 5**



**FIG. 6**



**FIG. 7**

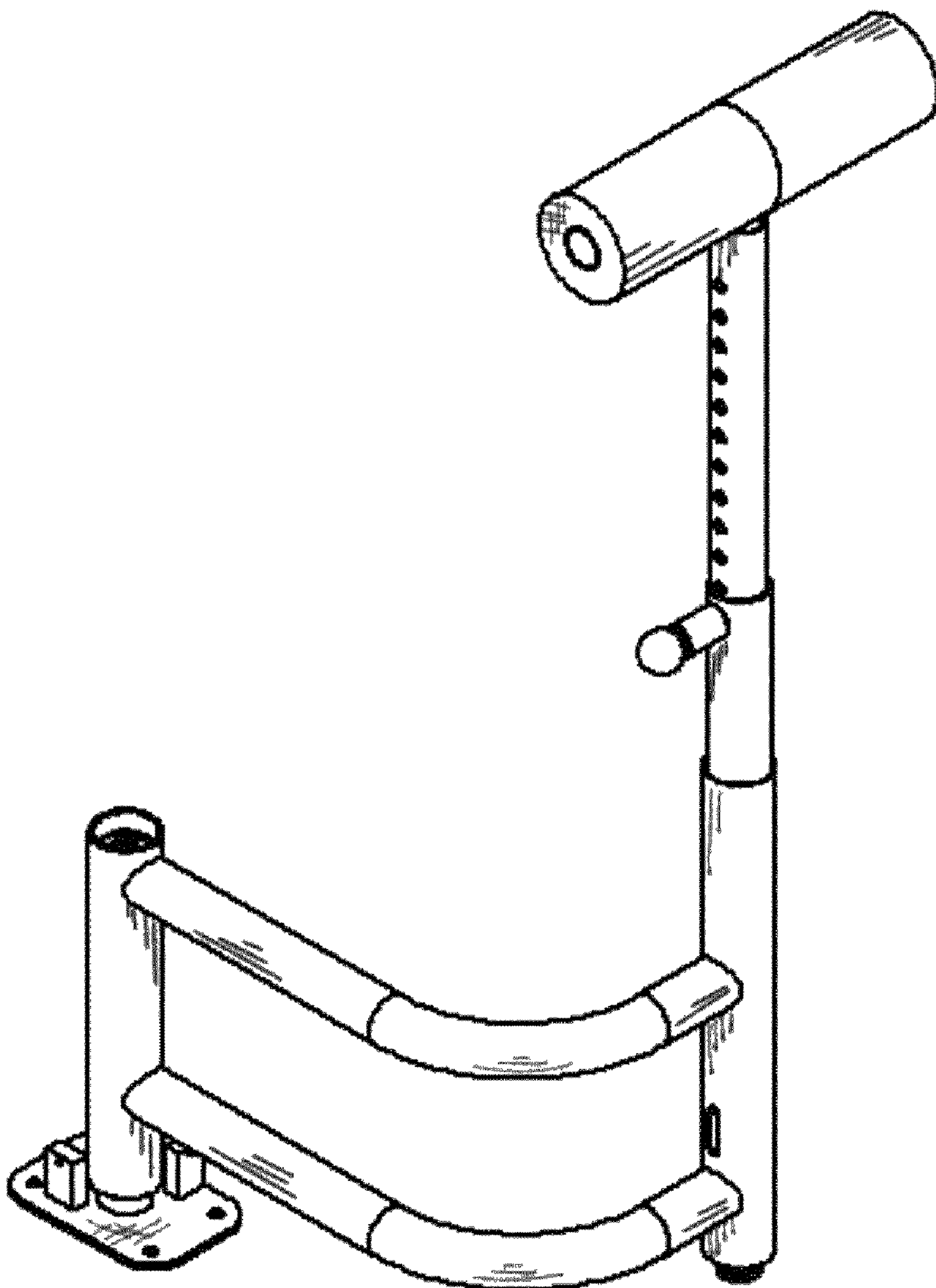




FIG. 8

