

US00D666013S

(12) **United States Design Patent**
Harrison

(10) **Patent No.:** **US D666,013 S**

(45) **Date of Patent:** **** Aug. 28, 2012**

(54) **STOOL**

(76) Inventor: **Daniel Alan Harrison**, Armada, MI
(US)

(**) Term: **14 Years**

(21) Appl. No.: **29/419,333**

(22) Filed: **Apr. 26, 2012**

(51) **LOC (9) Cl.** **06-01**

(52) **U.S. Cl.** **D6/351**

(58) **Field of Classification Search** D6/335,
D6/340, 349-355, 495, 500-502; 297/16.1,
297/175, 187, 195.1, 423.1, 423.11, 423.14,
297/423.16, 461, 462

See application file for complete search history.

(56) **References Cited**

U.S. PATENT DOCUMENTS

383,906	A	*	6/1888	Pike	297/461
D236,300	S	*	8/1975	Hartinger	D6/351
D458,049	S	*	6/2002	Prins et al.	D6/440
D473,069	S	*	4/2003	Prins et al.	D6/440
D474,039	S	*	5/2003	Zemp	D6/349
D557,909	S	*	12/2007	LaSorsa	D6/349

D579,218	S	*	10/2008	Little et al.	D6/349
D647,713	S	*	11/2011	Unterrainer et al.	D6/349
D651,422	S	*	1/2012	Unterrainer et al.	D6/349

* cited by examiner

Primary Examiner — Sandra Snapp

(74) *Attorney, Agent, or Firm* — QuickPatents, Inc.; Kevin Prince

(57) **CLAIM**

I claim the ornamental design for a stool, as shown and described.

DESCRIPTION

FIG. 1 is a perspective view of a stool, showing my new design;

FIG. 2 is a left-side elevational view thereof, the right-side elevational view being a mirror image thereof;

FIG. 3 is a rear elevational view thereof;

FIG. 4 is a front elevational view thereof;

FIG. 5 is a top plan view thereof; and,

FIG. 6 is a bottom plan view thereof.

The broken lines showing text and foot rest apertures in the figures depict environmental matter and form no part of the claimed design.

1 Claim, 3 Drawing Sheets

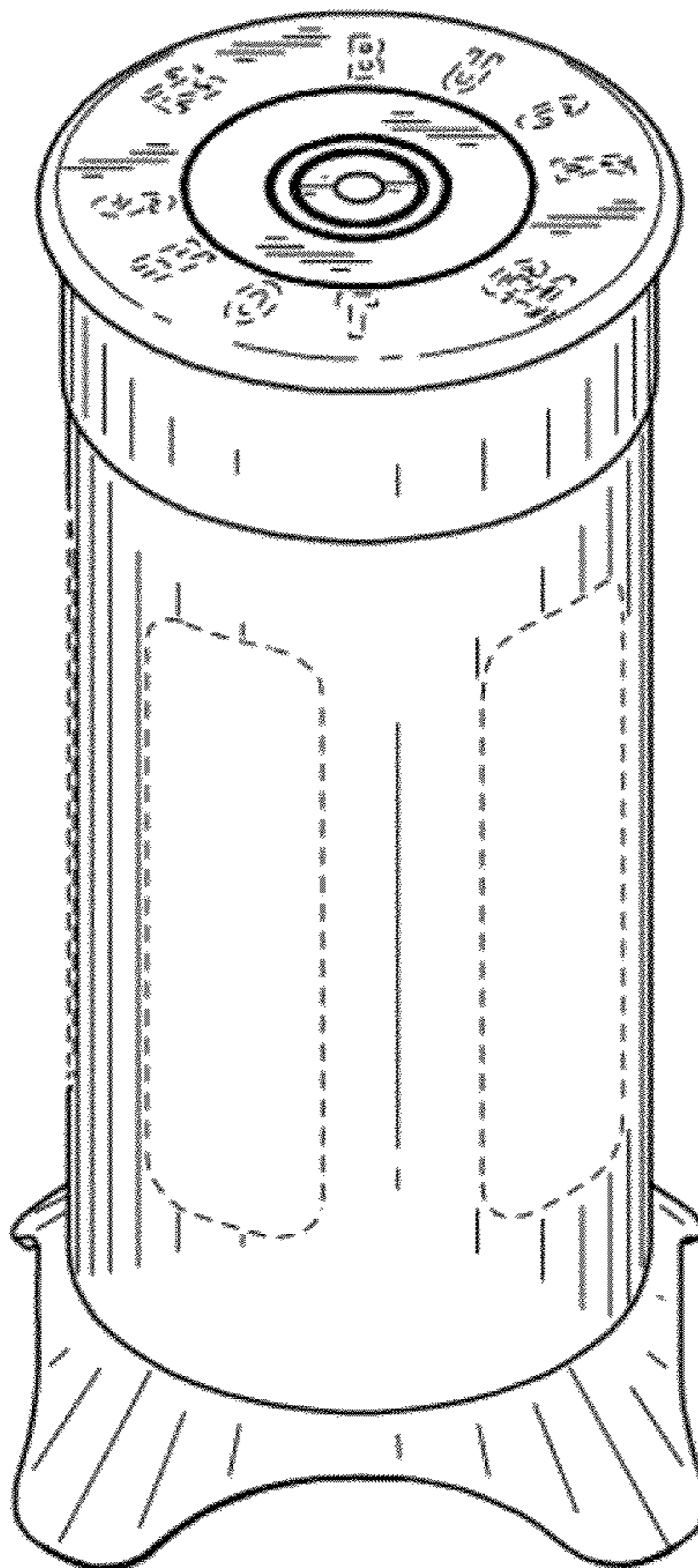
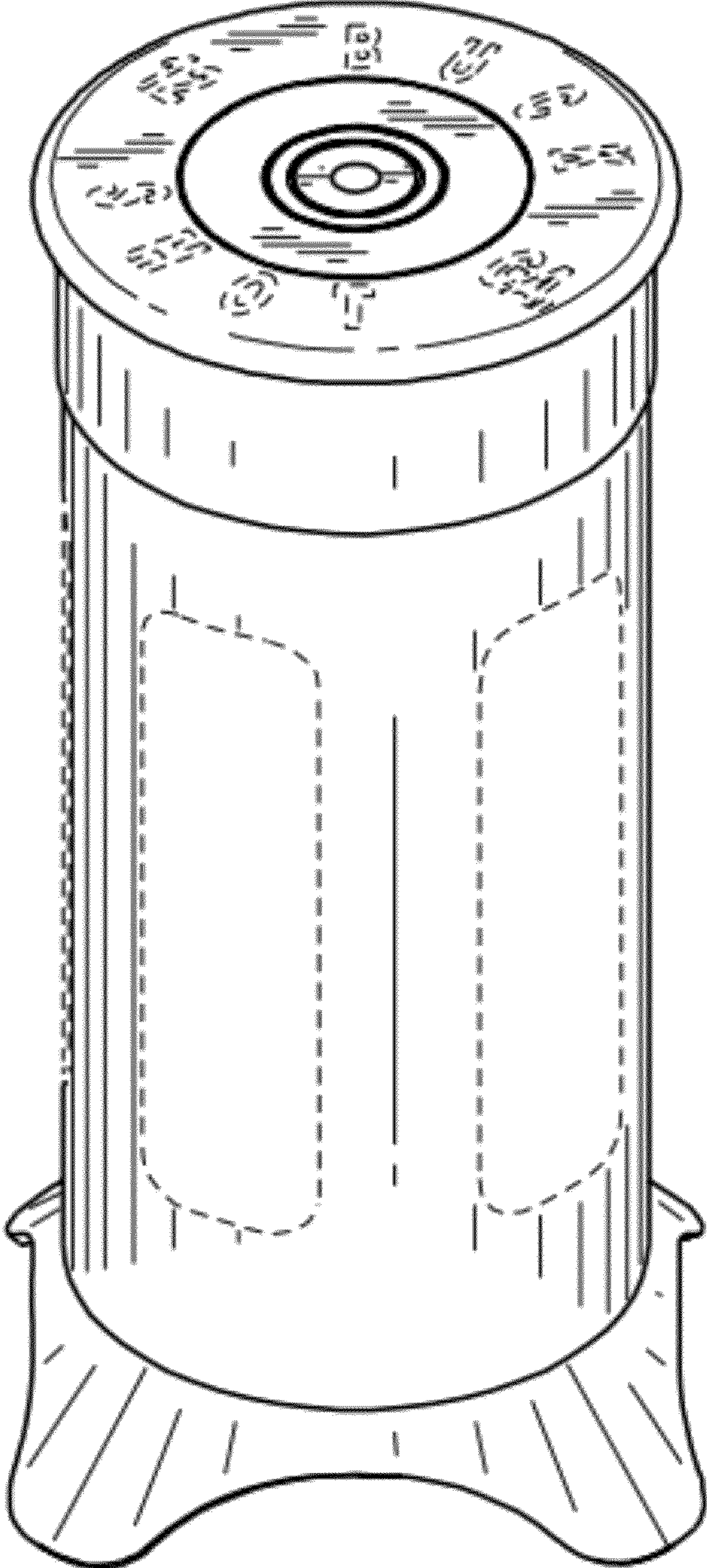


FIG. 1



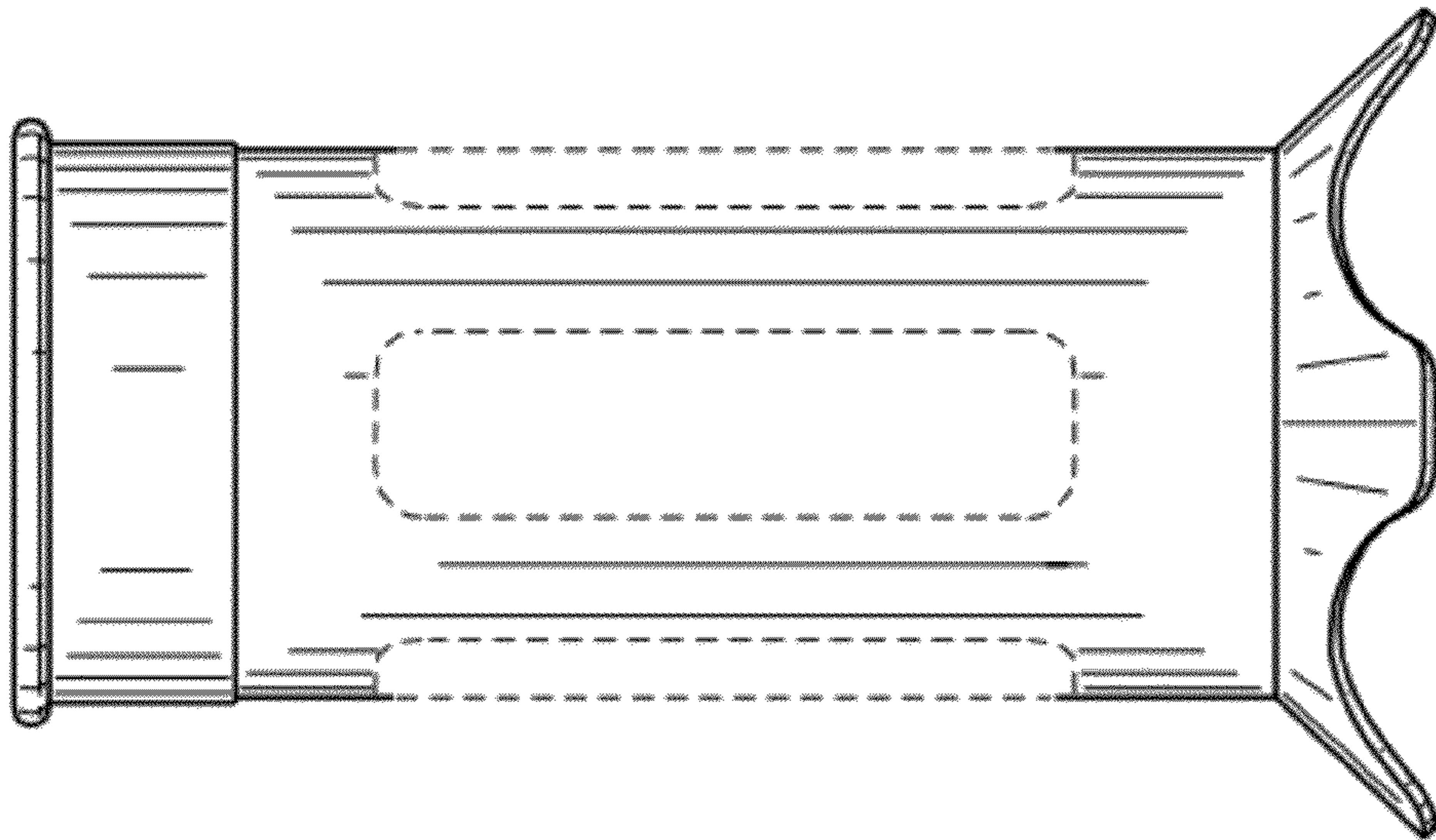


FIG. 4

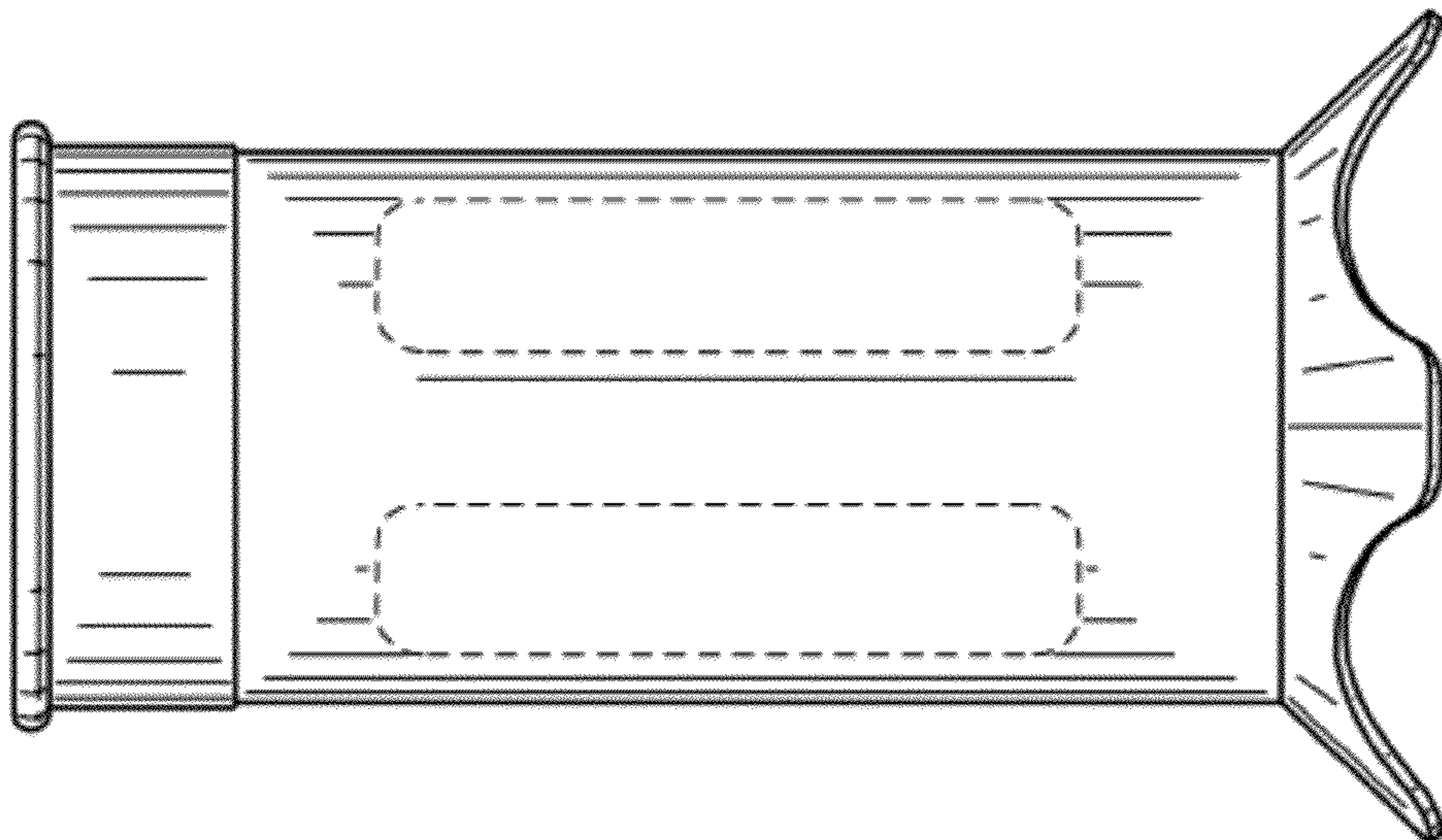


FIG. 3

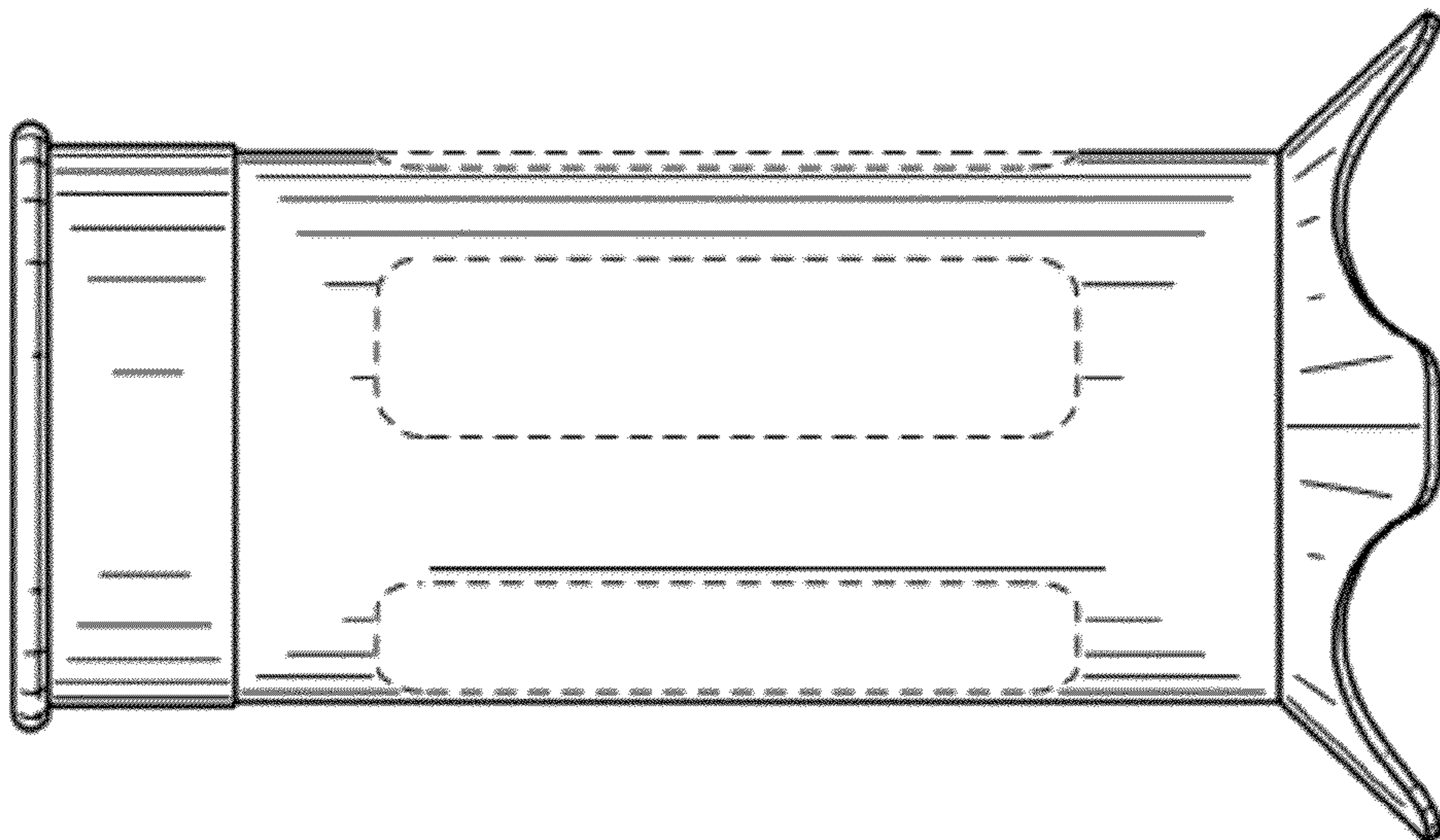


FIG. 2

FIG. 5

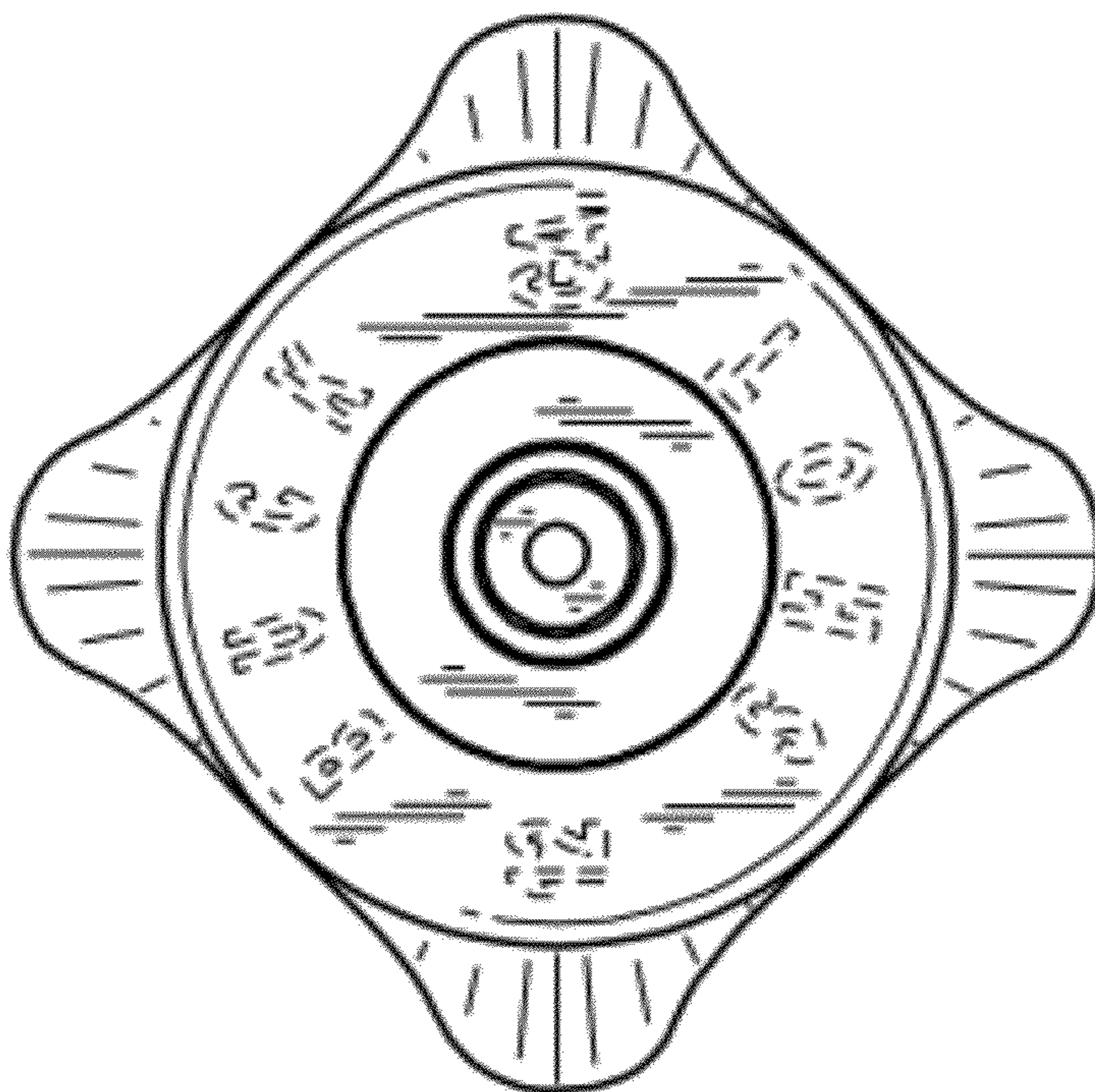


FIG. 6

