



US00D666012S

(12) **United States Design Patent**
Walker et al.

(10) **Patent No.:** **US D666,012 S**

(45) **Date of Patent:** **** Aug. 28, 2012**

(54) **END CAP FOR A SUPPORT ROD**

(75) Inventors: **David L. Walker**, Chester, PA (US);
Kaveh Didehvar, Hockessin (DE)

(73) Assignee: **Zenith Products Corporation**, New
Castle, DE (US)

(**) Term: **14 Years**

(21) Appl. No.: **29/399,549**

(22) Filed: **Aug. 16, 2011**

(51) **LOC (9) Cl.** **11-05**

(52) **U.S. Cl.** **D6/350**

(58) **Field of Classification Search** D6/546-550,
D6/518-519, 522-524; 211/13.1, 16, 60.1,
211/86.01, 87.01, 88.01, 88.04, 100, 105.1,
211/105.2, 123, 181.1, 182; D8/300, 303,
D8/315-321, 350-353; 248/175, 176.1,
248/251, 302; 242/570, 590, 595-598; 16/110.1,
16/412, 415

See application file for complete search history.

(56) **References Cited**

U.S. PATENT DOCUMENTS

2,215,331 A * 9/1940 Marsh 248/251
D188,714 S * 8/1960 Bonistall D6/550
D494,455 S * 8/2004 Winter et al. D8/376

D516,350 S * 3/2006 Chen D6/549
D553,404 S * 10/2007 Rexach D6/524
D563,702 S * 3/2008 Ricereto D6/524
D640,078 S * 6/2011 Gilbert D6/524

* cited by examiner

Primary Examiner — Brian N Vinson

(74) *Attorney, Agent, or Firm* — Panitch Schwarze Belisario
& Nadel LLP

(57) **CLAIM**

The ornamental design for an end cap for a support rod, as
shown and described.

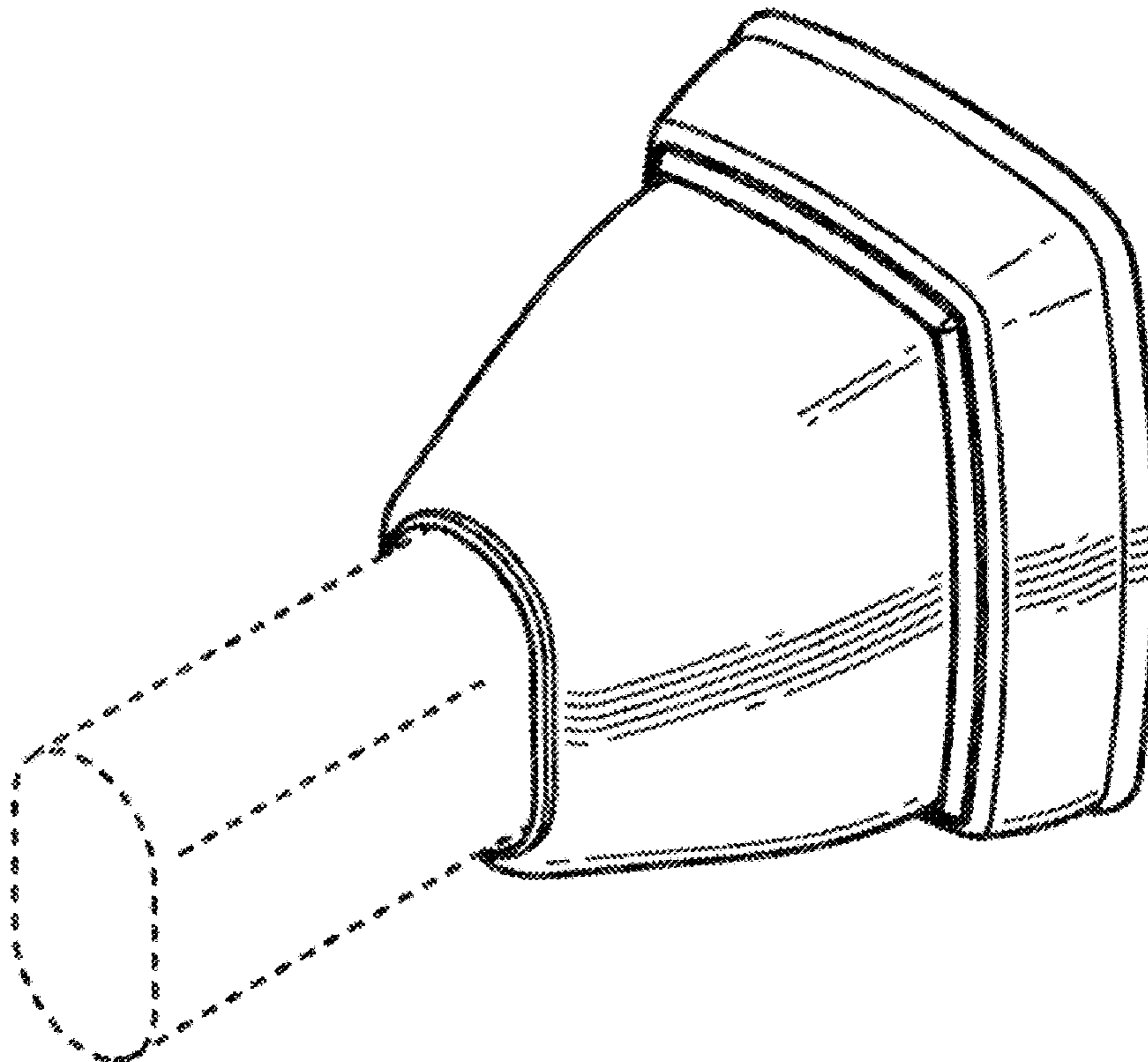
DESCRIPTION

FIG. 1 is a front perspective view of an end cap for a support
rod in accordance with our new design;
FIG. 2 is a front elevational view thereof, a rear elevational
view being a mirror image thereof;
FIG. 3 is a top plan view thereof, a bottom plan view being a
mirror image thereof; and,
FIG. 4 is a left side elevational view thereof.

The broken lines in the figures are for illustrative purposes
only and form no part of the claimed design.

The right side elevational view of the end cap for a support rod
is not shown in the drawings or described in the specification
and, therefore, forms no part of the claimed design.

1 Claim, 1 Drawing Sheet



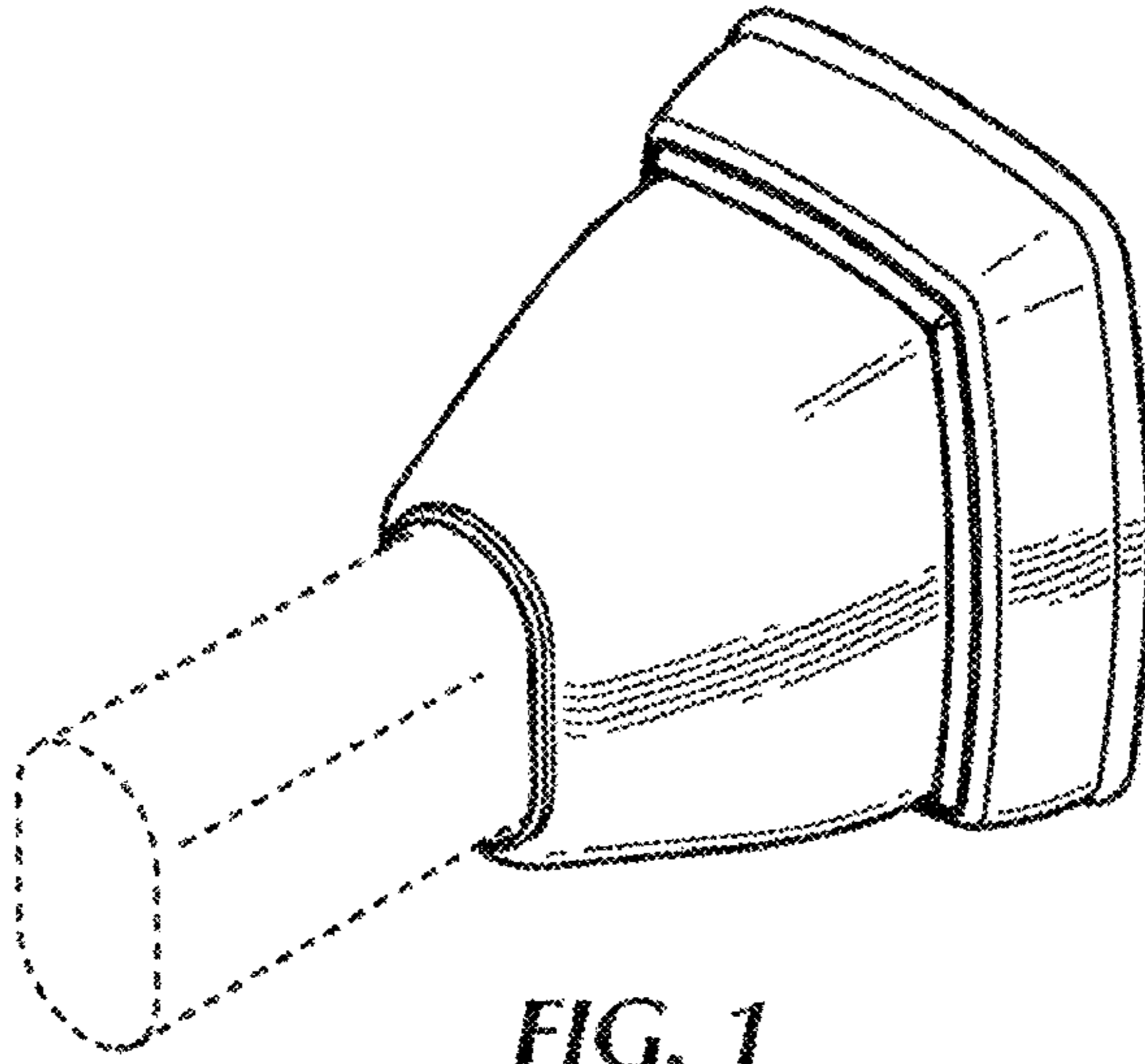


FIG. 1

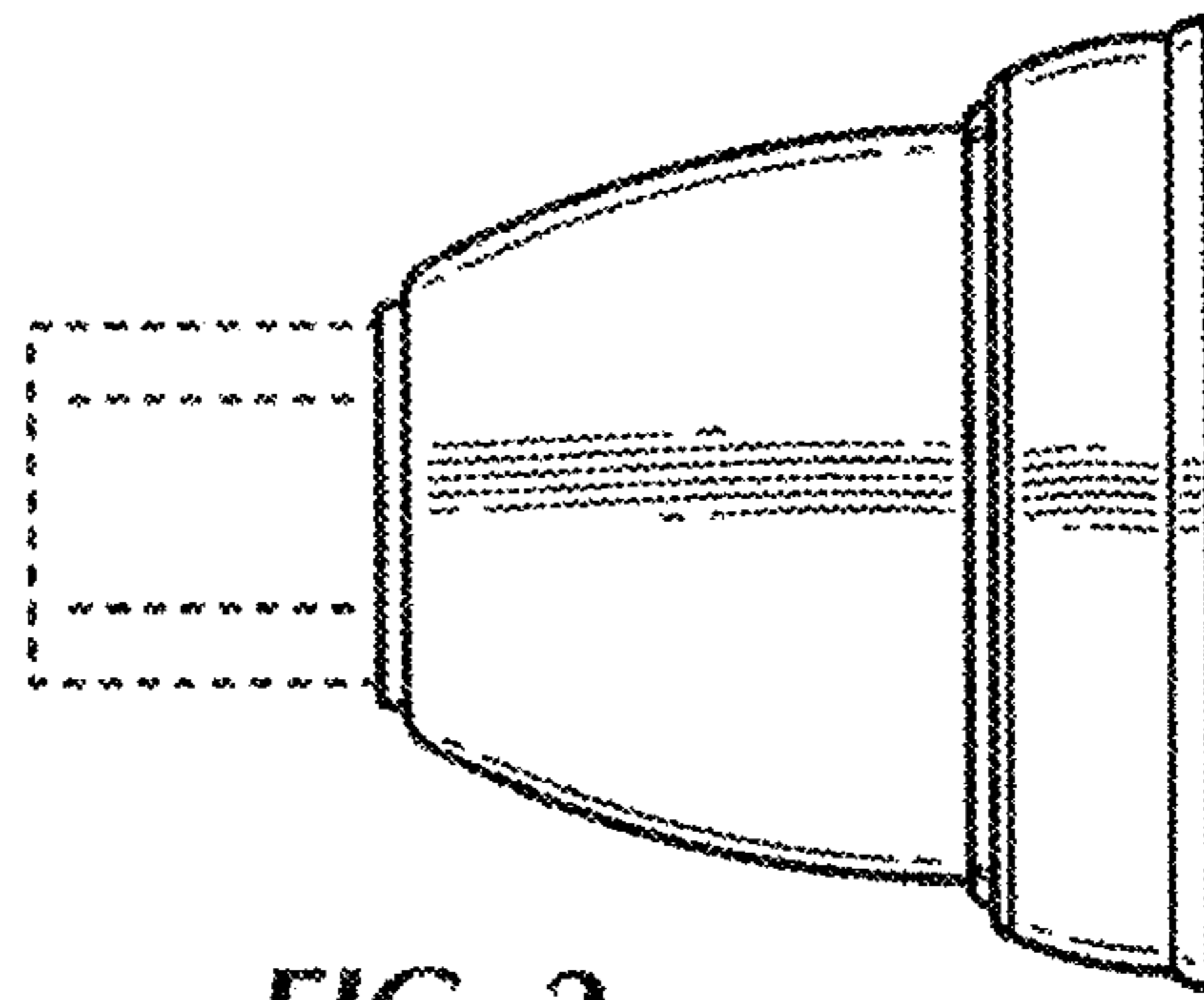


FIG. 2

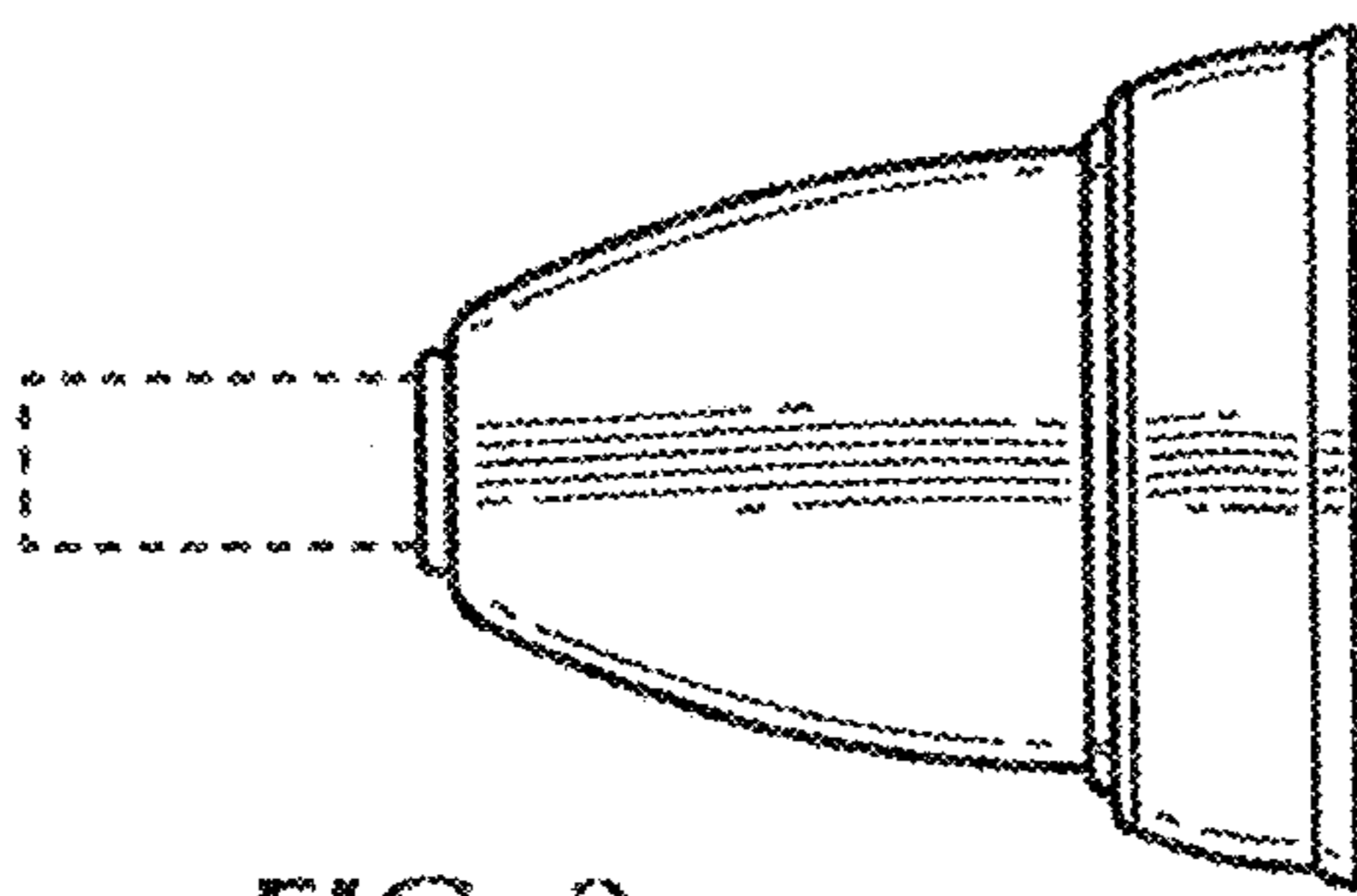


FIG. 3

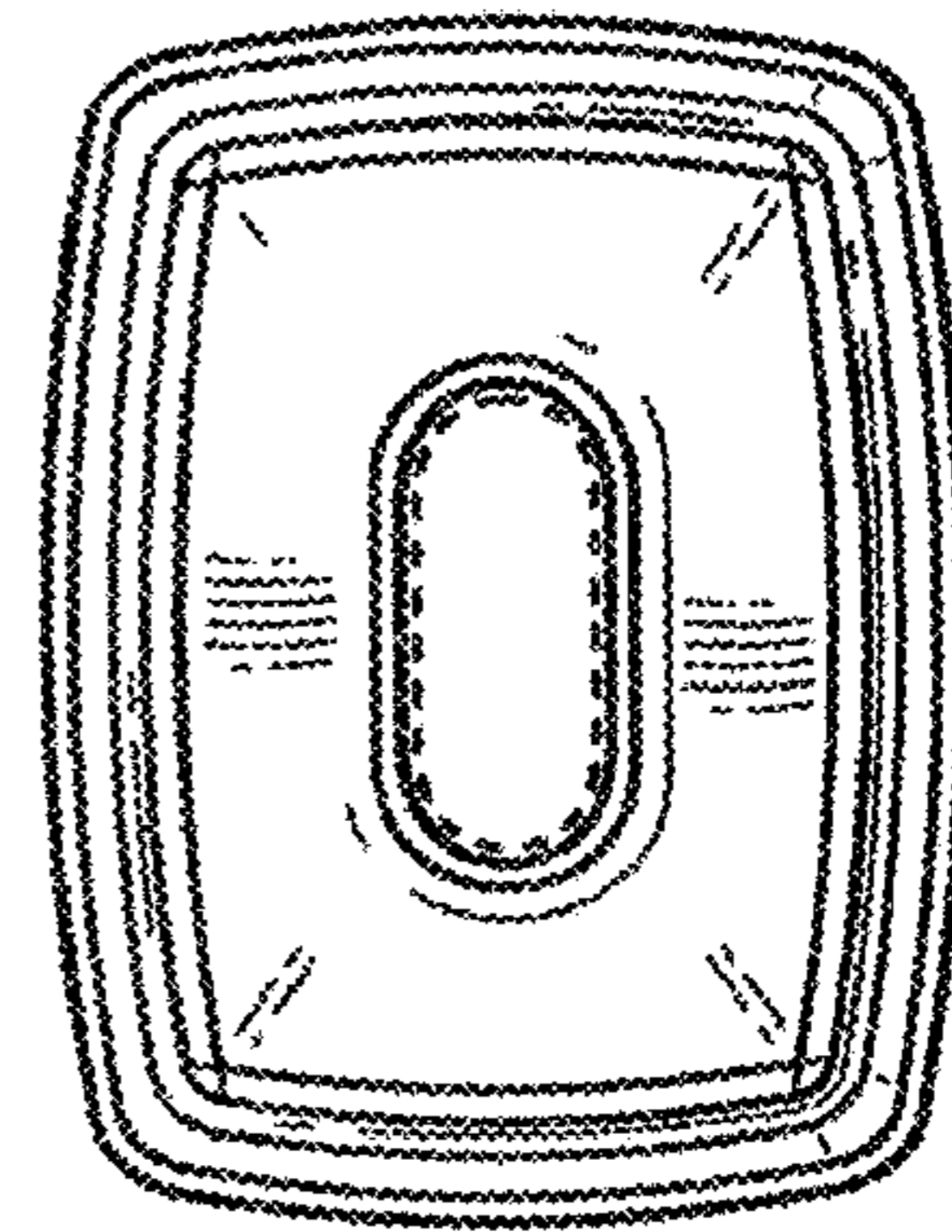


FIG. 4