

US00D666010S

(12) **United States Design Patent**
Farley

(10) **Patent No.:** **US D666,010 S**

(45) **Date of Patent:** **** Aug. 28, 2012**

(54) **MIRROR ATTACHMENT FOR SHOWER
HEAD SLIDE BAR**

(76) Inventor: **David Aaron Farley**, Corona, CA (US)

(**) Term: **14 Years**

(21) Appl. No.: **29/400,156**

(22) Filed: **Aug. 24, 2011**

(51) **LOC (9) Cl.** **06-04**

(52) **U.S. Cl.** **D6/309**

(58) **Field of Classification Search** 359/803;
D6/300, 309, 312; D16/135; D19/34, 36;
D24/107; 40/721, 700-702, 714, 717, 727,
40/738, 739, 742, 745, 746, 747, 765, 777,
40/778, 779, 782-784

See application file for complete search history.

(56) **References Cited**

U.S. PATENT DOCUMENTS

| | | | |
|---------------|---------|--------------|---------|
| 582,496 A | 5/1897 | Avery | |
| 1,909,662 A * | 5/1933 | Connors | 359/803 |
| D233,234 S | 10/1974 | Arbon | |
| D233,341 S | 10/1974 | Arbon | |
| 3,954,247 A * | 5/1976 | Krusche | 248/471 |
| D255,045 S | 5/1980 | Kronsbein | |
| D268,443 S * | 3/1983 | Brown | D6/309 |
| 4,557,003 A | 12/1985 | Jones | |
| D309,833 S * | 8/1990 | Wahl | D6/300 |
| 4,950,065 A | 8/1990 | Wyman | |
| D313,266 S | 12/1990 | Geneve | |
| 4,993,821 A | 2/1991 | Christianson | |
| D316,136 S | 4/1991 | Underwood | |
| 5,152,464 A | 10/1992 | Farley | |
| D331,967 S * | 12/1992 | Flower | D24/107 |
| D361,622 S | 8/1995 | Farley | |
| D364,446 S | 11/1995 | Farley | |
| 5,478,467 A | 12/1995 | LeMire | |
| 5,503,742 A | 4/1996 | Farley | |
| 5,545,314 A | 8/1996 | Parise | |
| 5,604,633 A * | 2/1997 | Christianson | 359/507 |

| | | | |
|--------------|---------|---------------|--------|
| 5,795,471 A | 8/1998 | Naito | |
| D406,874 S | 3/1999 | Farley | |
| D409,718 S | 5/1999 | Farley | |
| 6,016,977 A | 1/2000 | Farley | |
| D429,762 S * | 8/2000 | Mershon | D19/34 |
| 6,149,277 A | 11/2000 | Broussard | |
| 6,187,187 B1 | 2/2001 | Farley | |
| 6,214,224 B1 | 4/2001 | Farley | |
| D444,536 S | 7/2001 | Farley | |
| 6,270,023 B1 | 8/2001 | Farley | |
| 6,325,930 B2 | 12/2001 | Farley | |
| D452,975 S * | 1/2002 | Mershon | D19/36 |
| D457,596 S | 5/2002 | Guzman et al. | |
| D462,108 S | 8/2002 | Farley | |
| 6,443,578 B1 | 9/2002 | Finnigan | |
| D463,844 S | 10/2002 | Farley | |
| 6,464,871 B1 | 10/2002 | Chang | |

(Continued)

Primary Examiner — Philip S Hyder

Assistant Examiner — Sydney Buffalow

(74) *Attorney, Agent, or Firm* — Stetina Brunda Garred & Brucker

(57) **CLAIM**

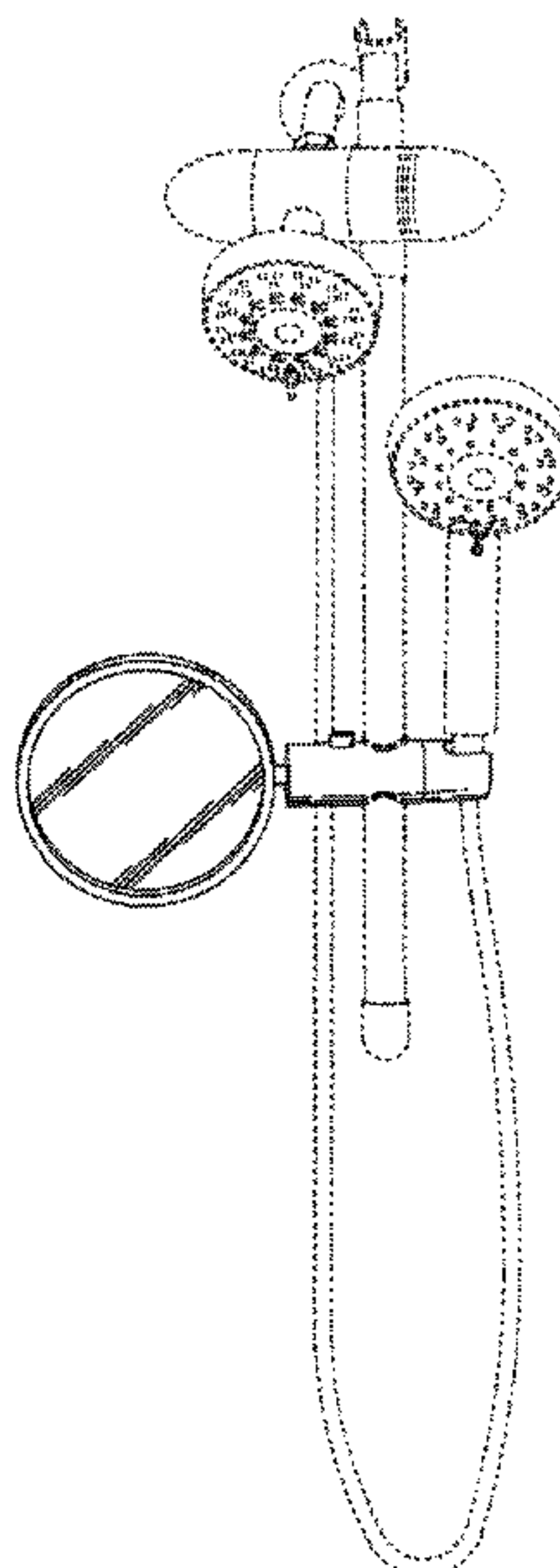
The ornamental design for a mirror attachment for shower head slide bar, as shown and described.

DESCRIPTION

FIG. 1 is a front view of the mirror attachment for shower head slide bar showing my new design; FIG. 2 is a top view of the invention; FIG. 3 is a front view of the invention; FIG. 4 is a bottom view of the invention; FIG. 5 is a right side view of the invention; FIG. 6 is a rear side view of the invention; and, FIG. 7 is a left side view of the invention.

The broken lines shown in the drawings are directed to environment, and are for informational purposes only and form no part of the claimed design.

1 Claim, 2 Drawing Sheets



US D666,010 S

Page 2

| U.S. PATENT DOCUMENTS | | | |
|-----------------------|-----|---------|-----------------------|
| 6,537,455 | B2 | 3/2003 | Farley |
| D483,438 | S | 12/2003 | Farley |
| RE39,142 | E | 6/2006 | Farley |
| 7,097,122 | B1 | 8/2006 | Farley |
| 7,143,897 | B1 | 12/2006 | Guzman et al. |
| D540,549 | S * | 4/2007 | Yue D6/312 |
| D546,567 | S * | 7/2007 | Bhavnani D6/309 |
| 7,427,352 | B2 | 9/2008 | Naito |
| D599,432 | S | 9/2009 | Buesseler |
| 7,866,576 | B1 | 1/2011 | Farley |
| D635,171 | S * | 3/2011 | Levine D16/135 |
| D638,099 | S | 5/2011 | Farley |
| D638,515 | S | 5/2011 | Farley |
| 2008/0011656 | A1 | 1/2008 | Lacy |

* cited by examiner

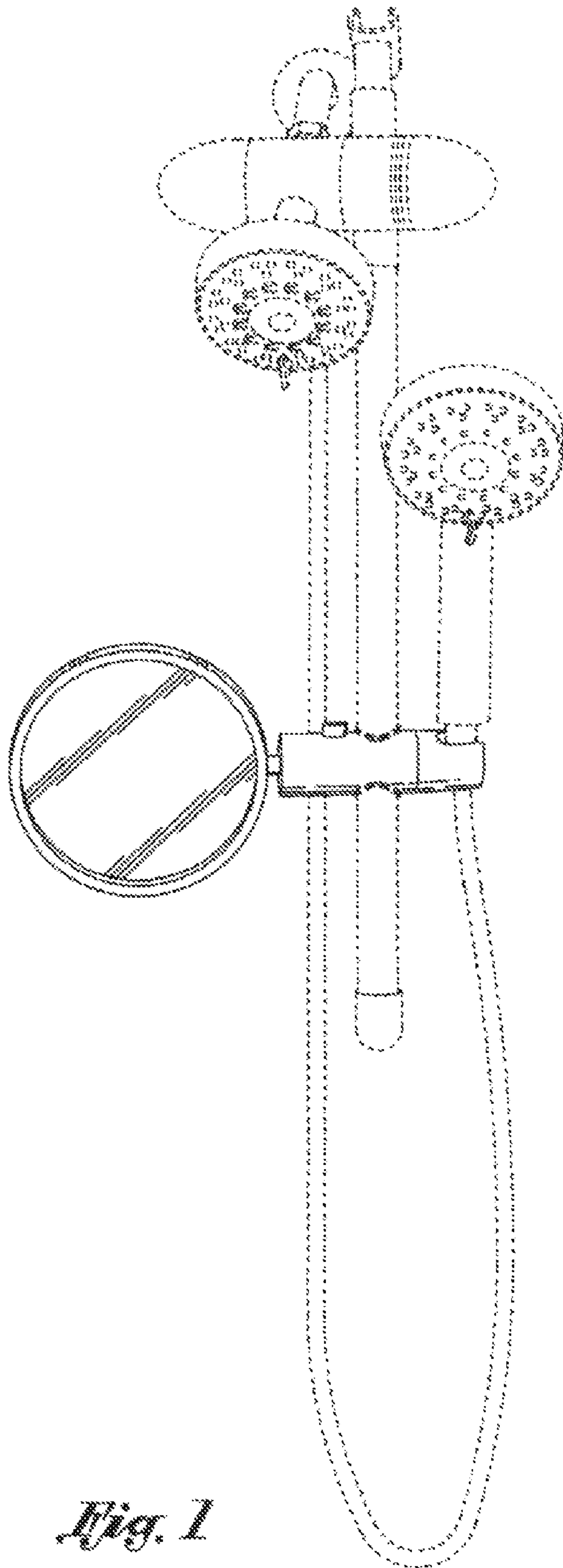


Fig. 1

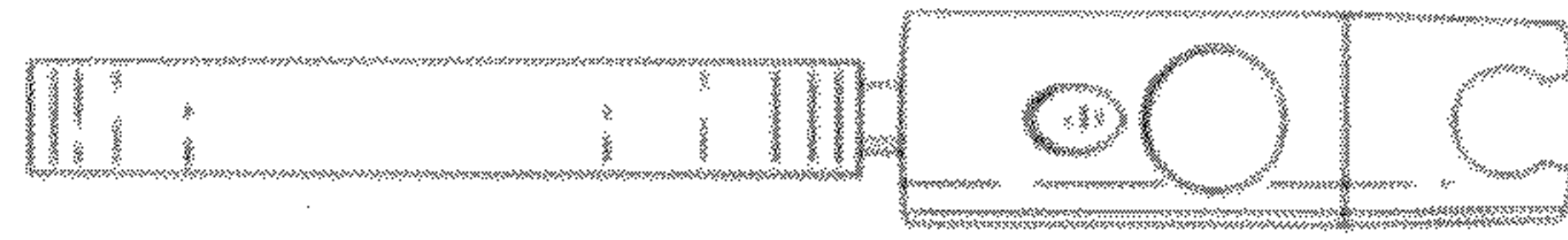


Fig. 2

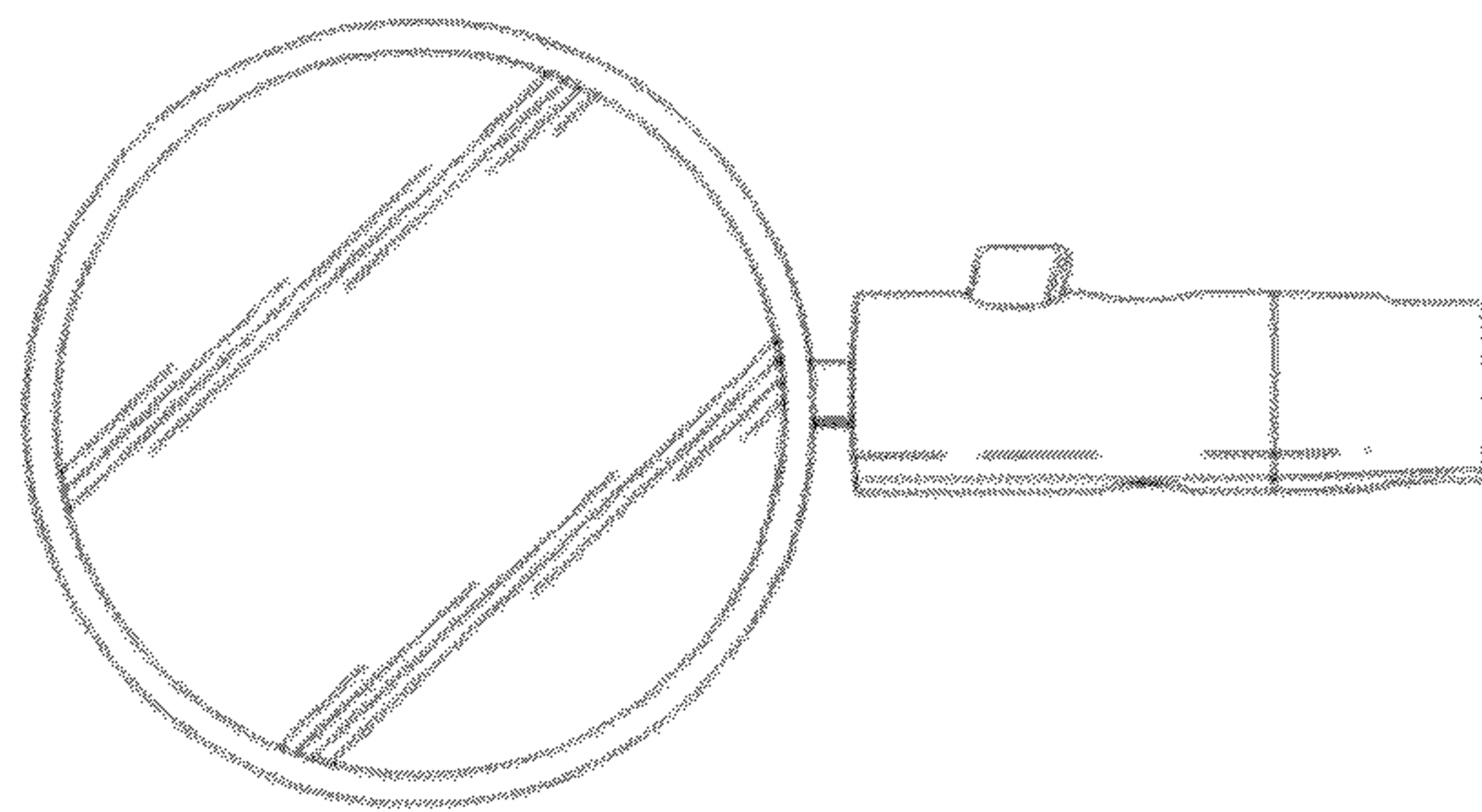


Fig. 3

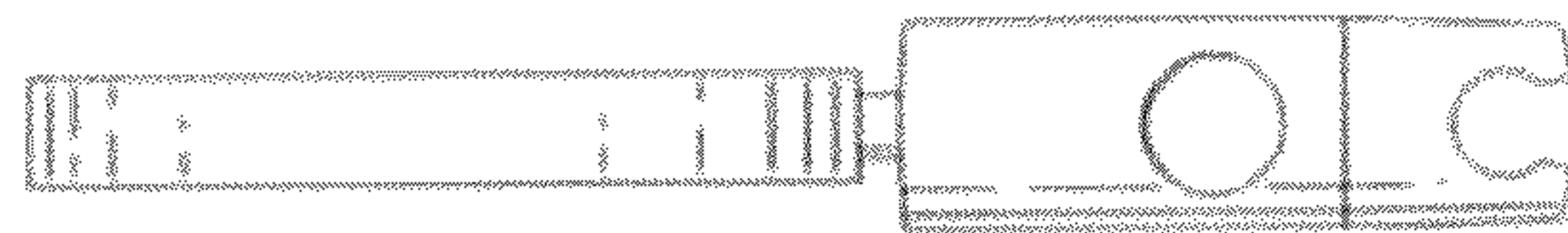


Fig. 4

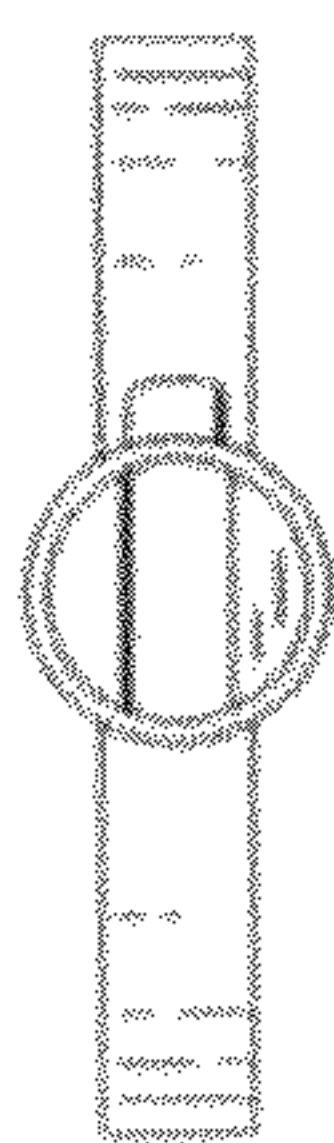


Fig. 5

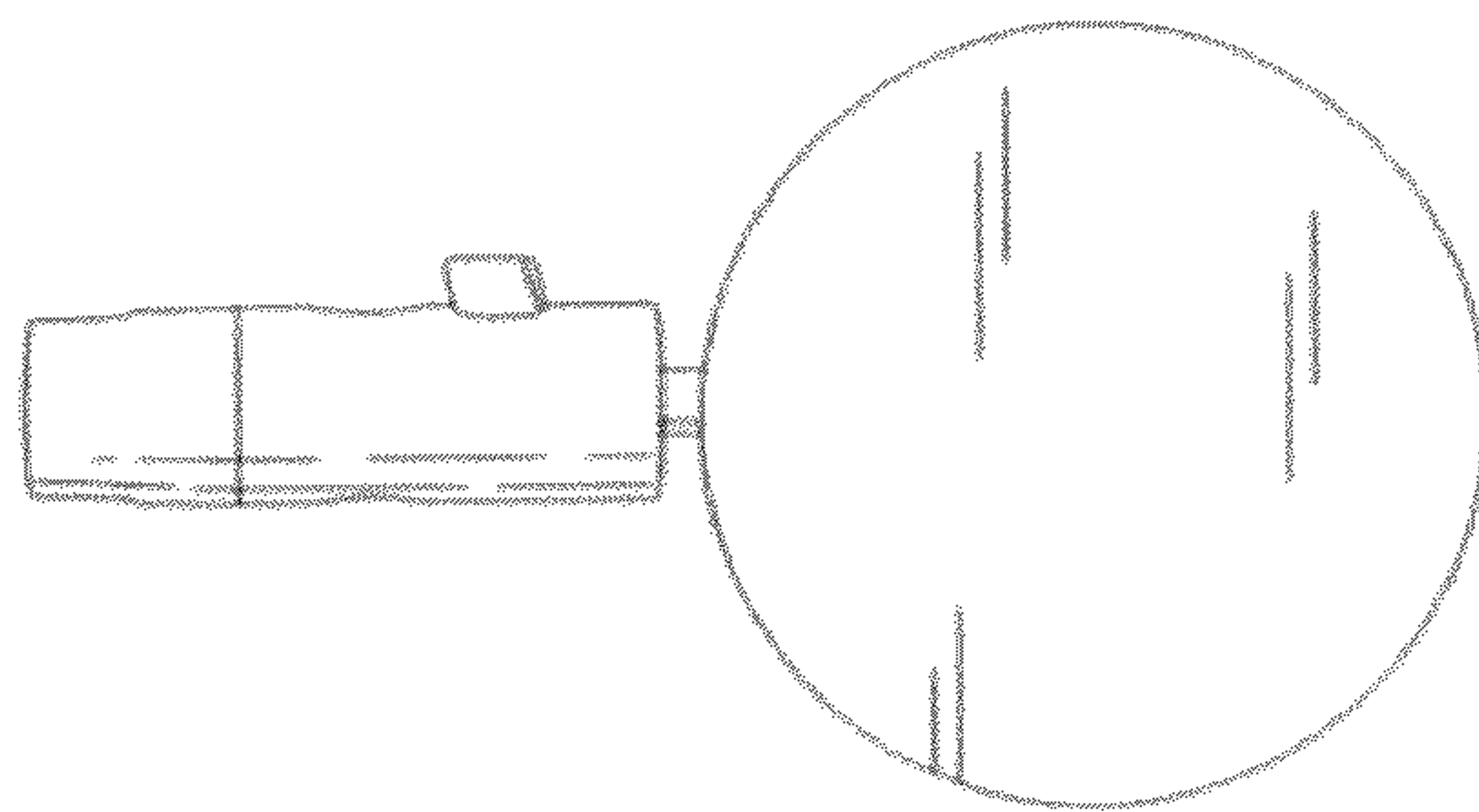


Fig. 6



Fig. 7