

US00D666009S

(12) **United States Design Patent**
Borelli

(10) **Patent No.:** **US D666,009 S**

(45) **Date of Patent:** **** Aug. 28, 2012**

(54) **MIRROR AND FRAME**

(76) **Inventor:** **Joseph R. Borelli**, Methuen, MA (US)

(**) **Term:** **14 Years**

(21) **Appl. No.:** **29/410,249**

(22) **Filed:** **Jan. 5, 2012**

(51) **LOC (9) Cl.** **06-07**

(52) **U.S. Cl.** **D6/303**

(58) **Field of Classification Search** D6/300-314;
40/700, 718, 739, 765, 780, 781, 786, 789,
40/796, 734, 745; D11/157

See application file for complete search history.

(56) **References Cited**

U.S. PATENT DOCUMENTS

2,126,558	A	*	8/1938	Kaul	40/734
D325,473	S	*	4/1992	Geiger	D6/303
D369,244	S	*	4/1996	Baker	D6/303
D387,567	S	*	12/1997	Queen	D6/300
D390,364	S	*	2/1998	Johnsey	D6/303
D446,026	S	*	8/2001	Wanek et al.	D6/300
D556,630	S	*	12/2007	Mechanic et al.	D11/157

D570,612	S	*	6/2008	Akopyan	D6/310
D570,733	S	*	6/2008	Mechanic et al.	D11/157
D581,680	S	*	12/2008	Akopyan	D6/308

* cited by examiner

Primary Examiner — Philip S Hyder

Assistant Examiner — Sydney Buffalow

(74) *Attorney, Agent, or Firm* — QuickPatents, Inc.; Kevin Prince

(57) **CLAIM**

I claim the ornamental design for a mirror and frame, as shown and described.

DESCRIPTION

FIG. 1 is a perspective view of a mirror and frame, showing my new design;

FIG. 2 is a front elevational view thereof;

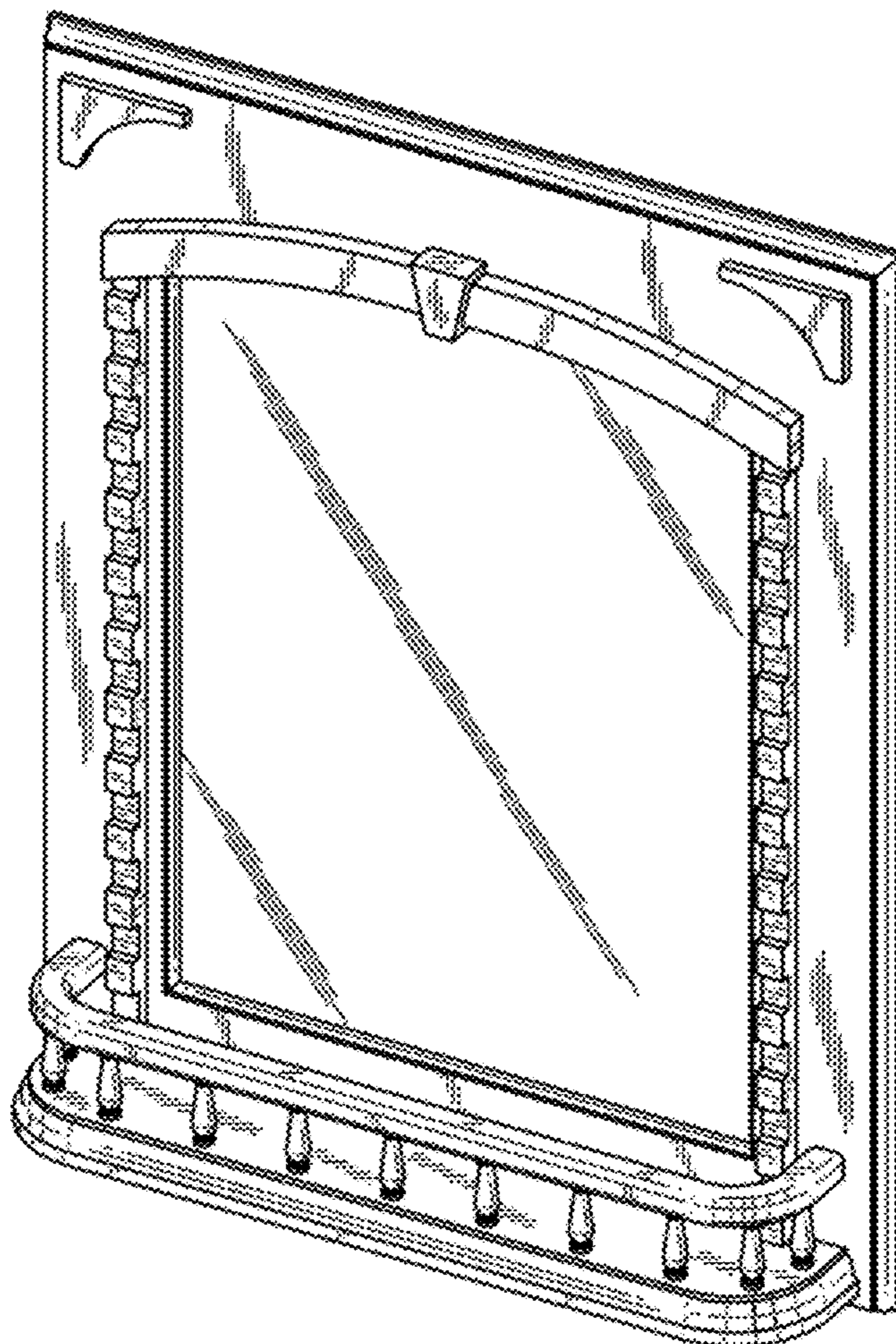
FIG. 3 is a left-side elevational view thereof, the right-side elevational view being a mirror image thereof;

FIG. 4 is a rear elevational view thereof;

FIG. 5 is a top plan view thereof; and,

FIG. 6 is a bottom plan view thereof.

1 Claim, 3 Drawing Sheets



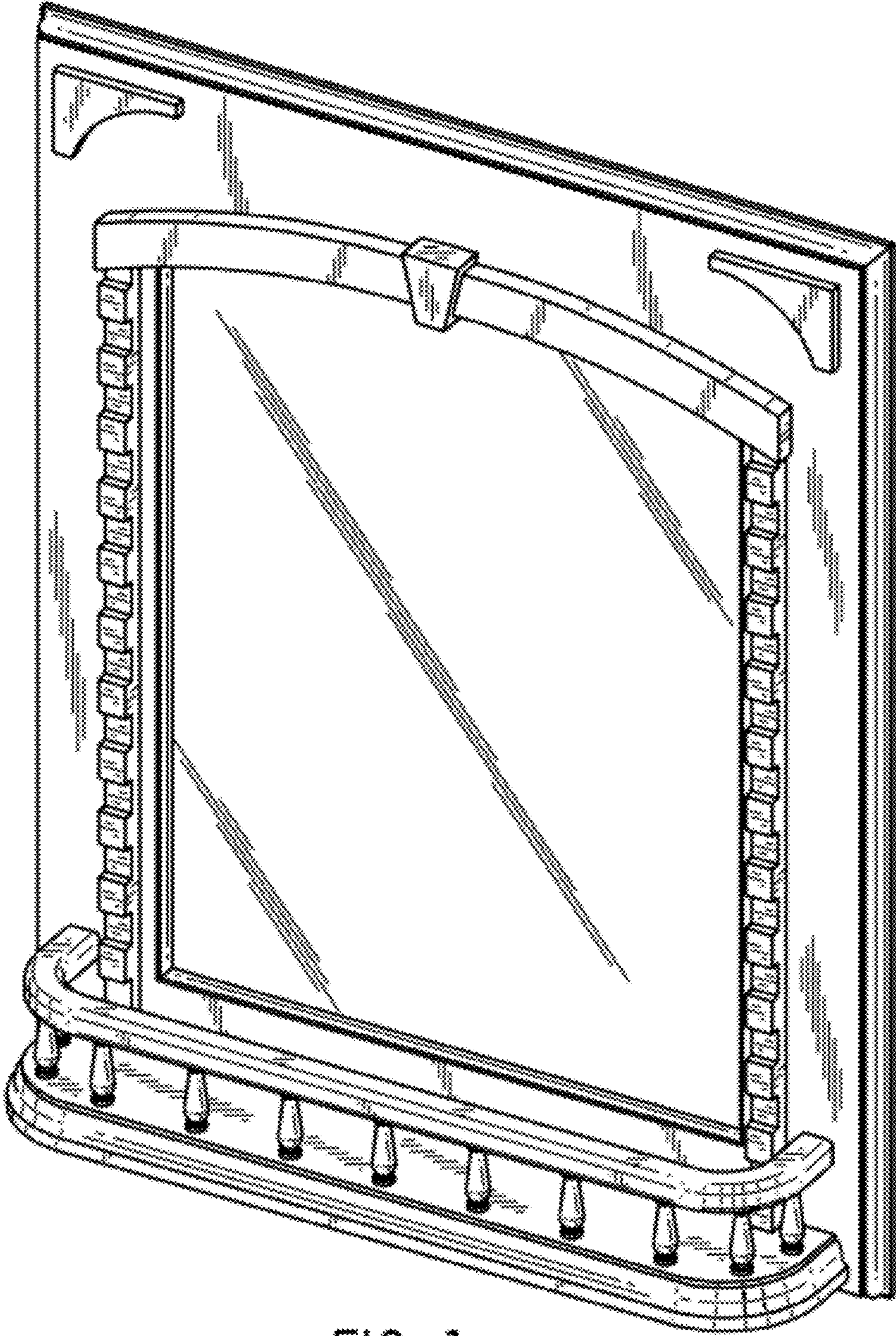


FIG. 1



FIG. 3

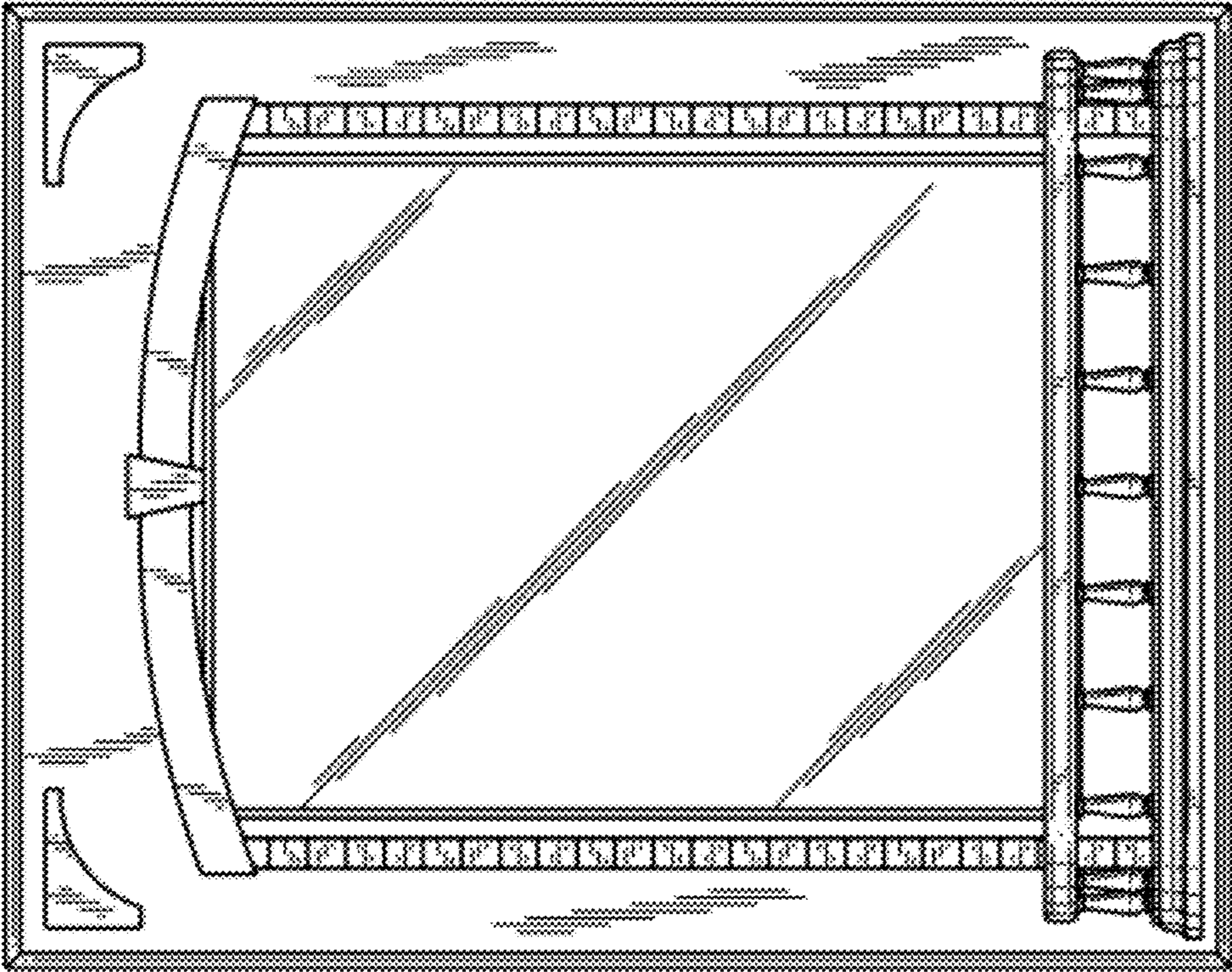


FIG. 2

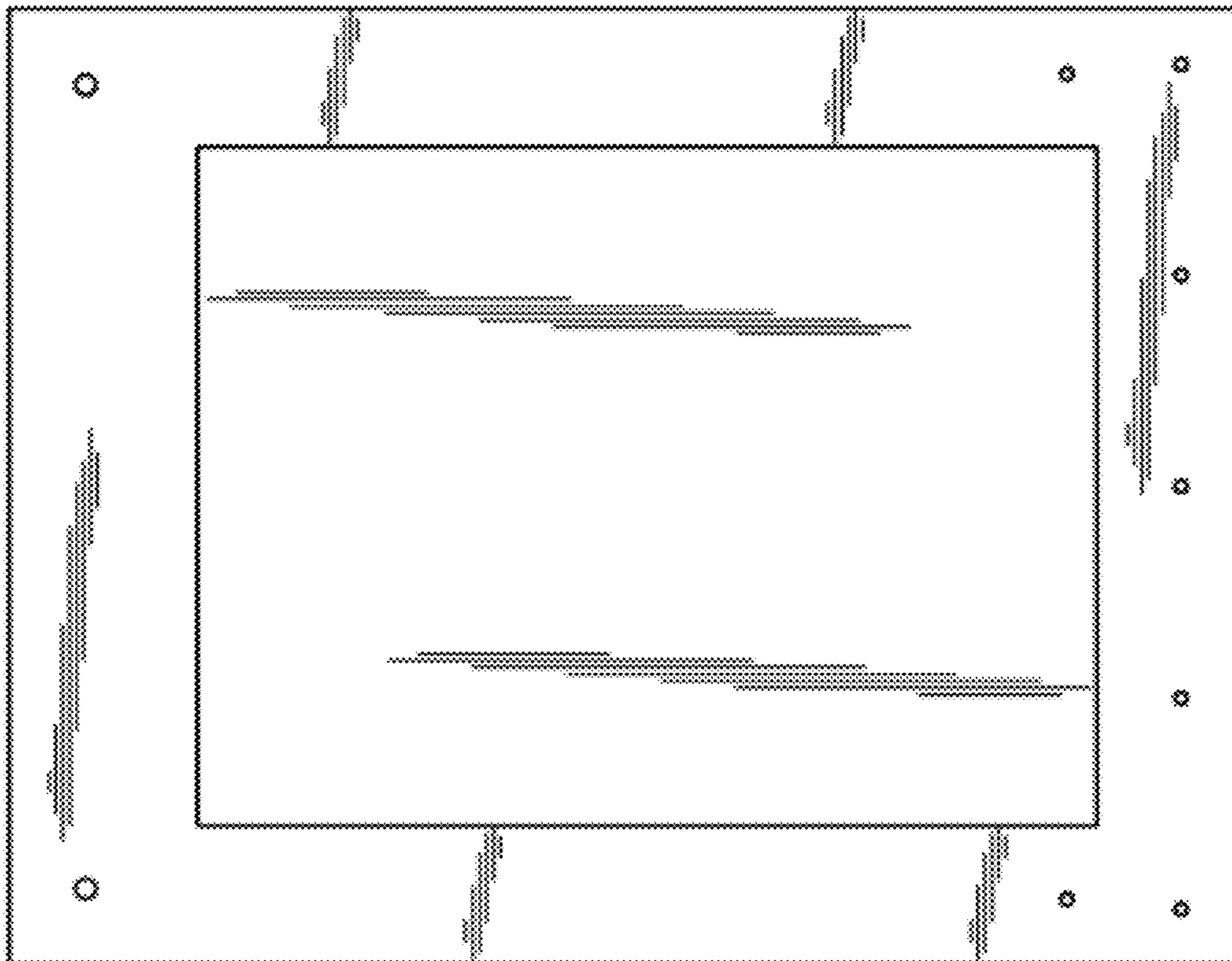


FIG. 4

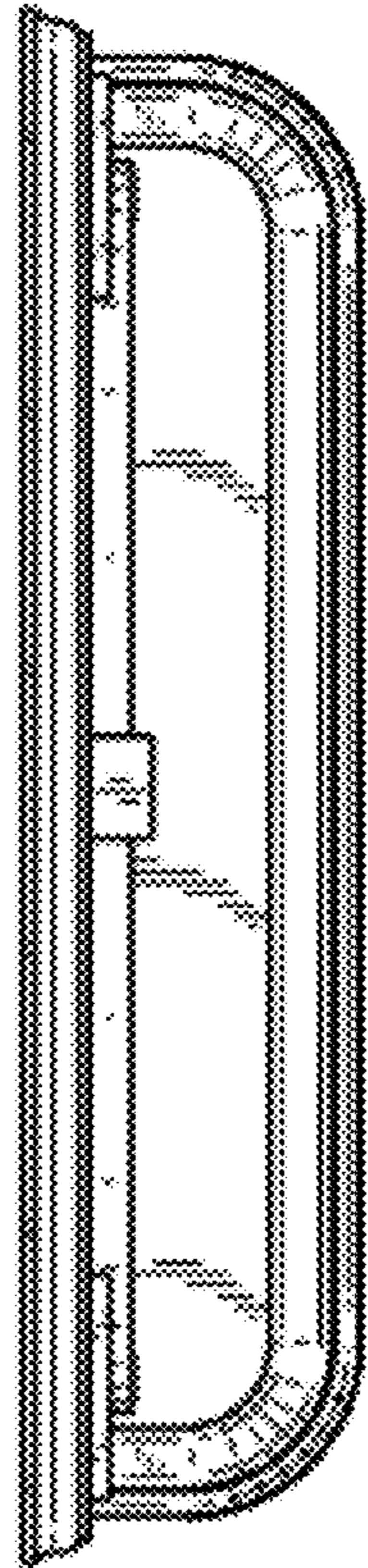


FIG. 5

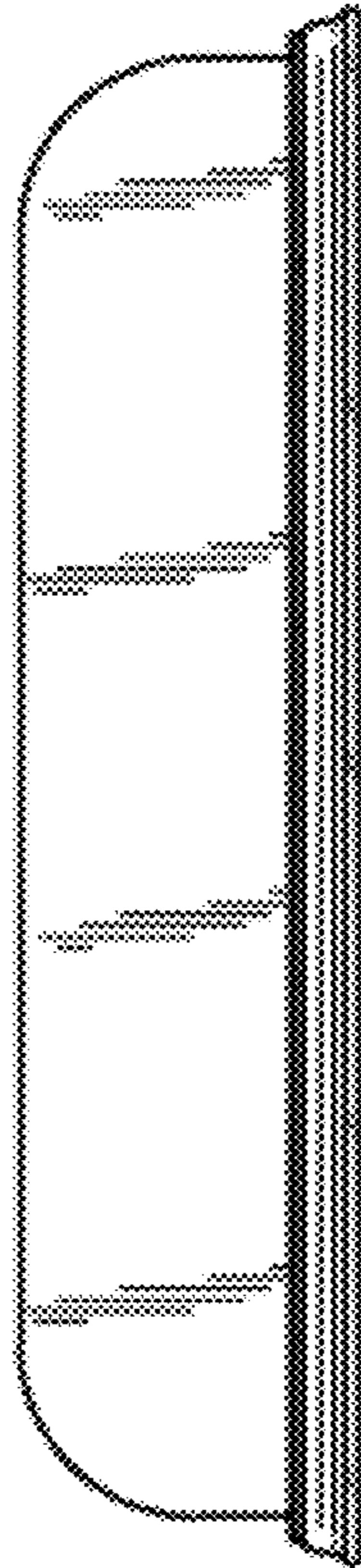


FIG. 6