



US00D666008S

(12) **United States Design Patent**  
**Boudreau**

(10) **Patent No.:** **US D666,008 S**

(45) **Date of Patent:** **\*\* Aug. 28, 2012**

(54) **BRUSH HANDLE**

(75) Inventor: **Cory Boudreau**, Madison, WI (US)

(73) Assignee: **Loew-Cornell, LLC**, Erlanger, KY (US)

(\*\*) Term: **14 Years**

(21) Appl. No.: **29/403,207**

(22) Filed: **Oct. 3, 2011**

(51) **LOC (9) Cl.** ..... **04-04**

(52) **U.S. Cl.** ..... **D4/138; D4/135**

(58) **Field of Classification Search** ..... D4/135,  
D4/138; D28/7; 15/143.1, 159.1, 160, 166,  
15/167.3, 168, 190-193; 132/313, 317

See application file for complete search history.

(56) **References Cited**

**U.S. PATENT DOCUMENTS**

3,751,751	A *	8/1973	Karl	.....	15/192
D258,240	S *	2/1981	Takada et al.	.....	D4/135
D297,889	S *	10/1988	Ries et al.	.....	D4/135
5,062,672	A *	11/1991	Harris	.....	294/65.5
D459,896	S *	7/2002	Kapp	.....	D4/138
6,779,532	B2 *	8/2004	Dorf	.....	132/200
2006/0150355	A1 *	7/2006	Mason et al.	.....	15/166

**OTHER PUBLICATIONS**

CN 3451296 Registered Design Application, (Yang et al.) Jun. 1, 2005, [online], [retrieved on Jun. 17, 2012] Retrieved from the Questel Intellectual Property Portal Design Database using the Internet: <URL: http://www.orbit.com>.\*

\* cited by examiner

*Primary Examiner* — Melanie H Tung

*Assistant Examiner* — Lavone D Tabor

(74) *Attorney, Agent, or Firm* — Michael J. Corrigan

(57) **CLAIM**

The ornamental design for the brush handle, as shown and described.

**DESCRIPTION**

FIG. 1 is a front right perspective view of the brush handle;

FIG. 2 is a top view thereof;

FIG. 3 is a left side view thereof;

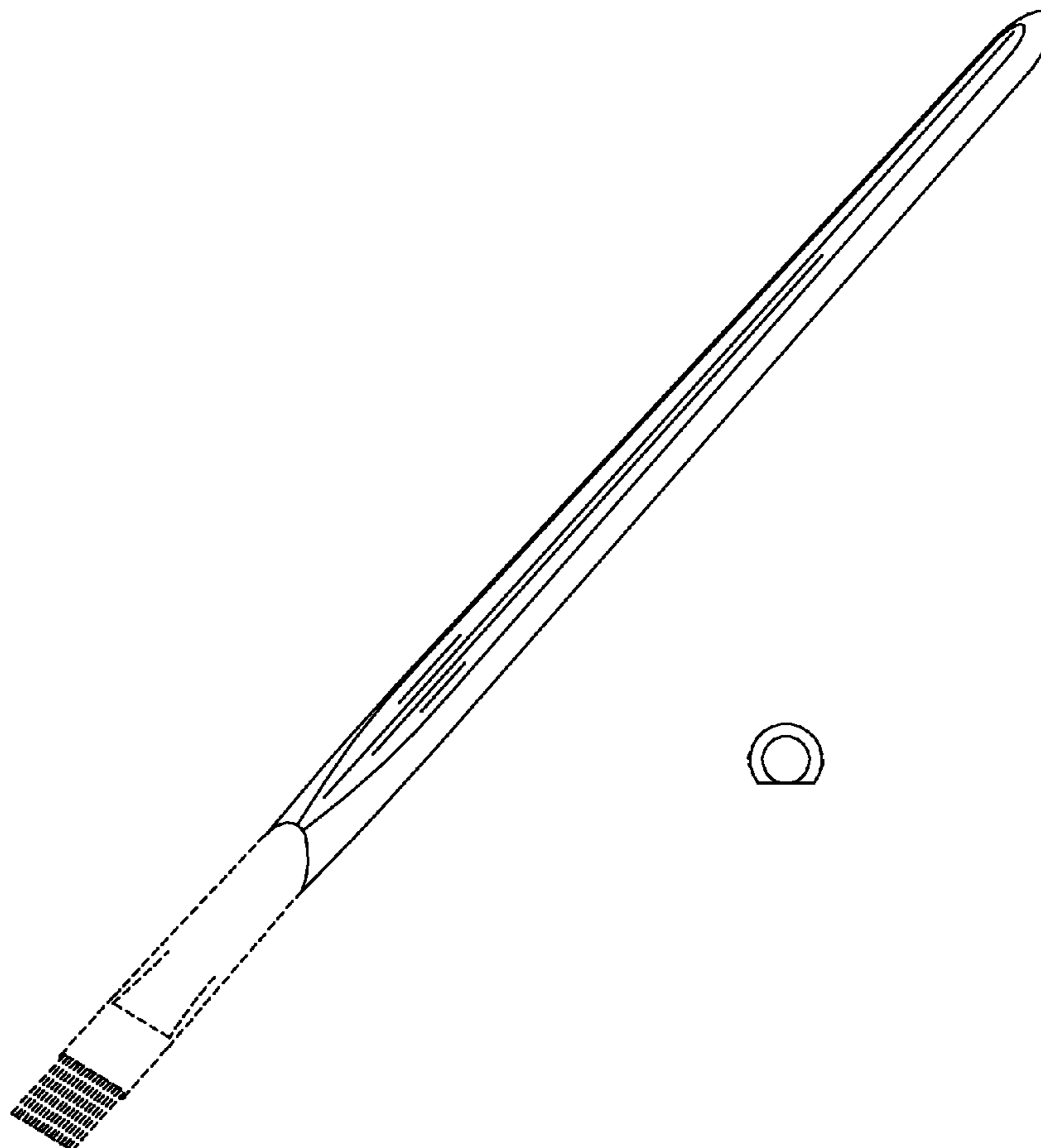
FIG. 4 is a front view thereof;

FIG. 5 is a right side view thereof; and,

FIG. 6 is a rear view thereof.

The broken lines in the drawings are for illustrative purposes only and form no part of the claimed design.

**1 Claim, 2 Drawing Sheets**



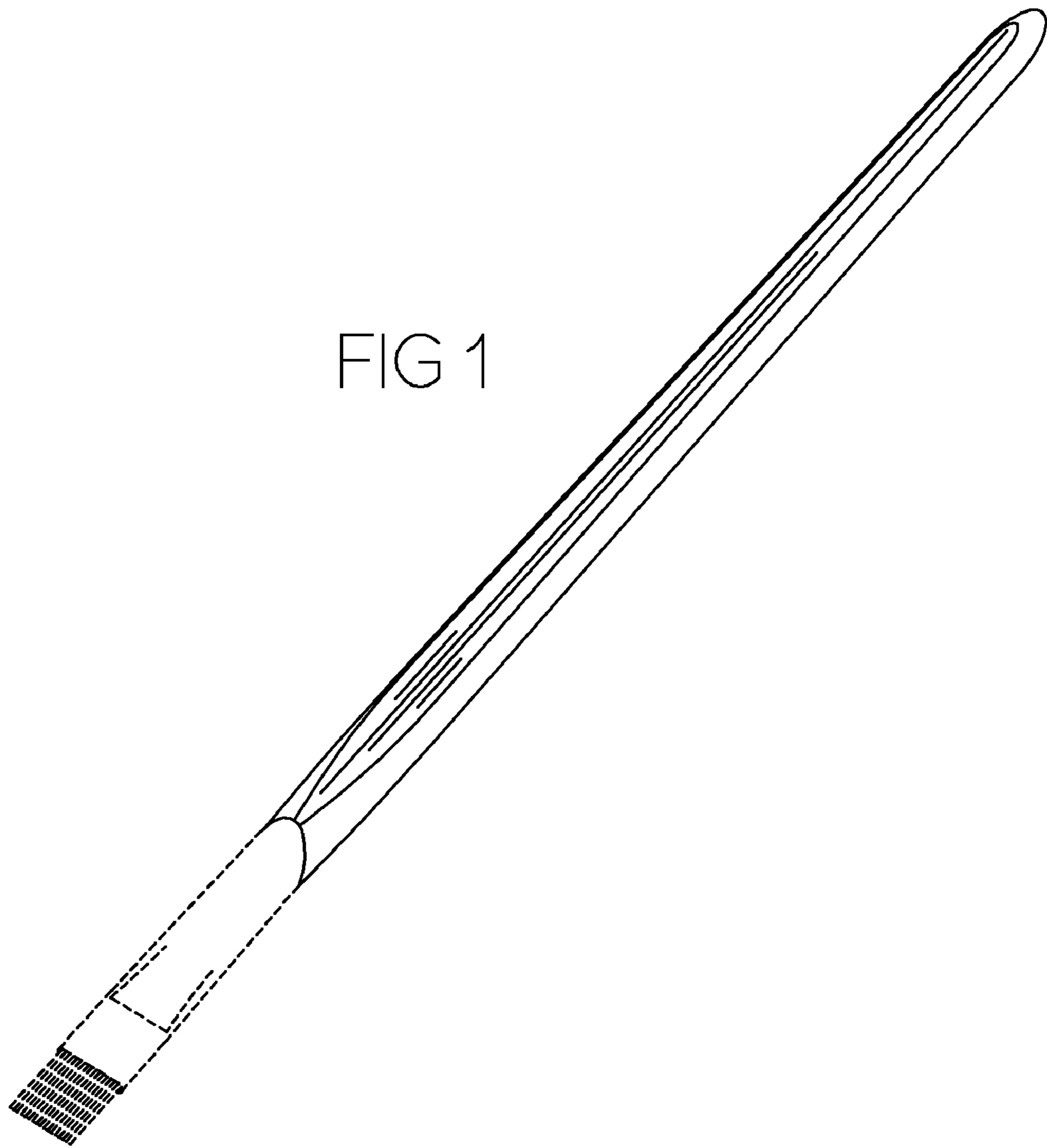


FIG 1



FIG 2

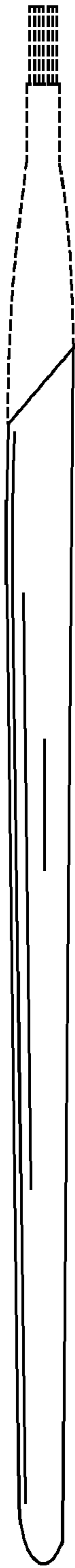


FIG 3



FIG 4

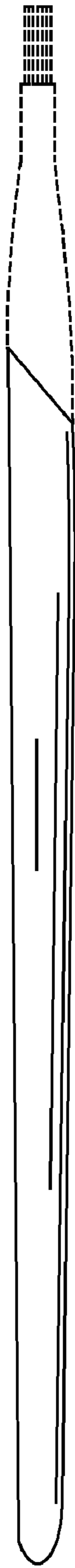


FIG 5



FIG 6