

US00D666007S

(12) **United States Design Patent**
Harris et al.

(10) **Patent No.:** **US D666,007 S**
(45) **Date of Patent:** **** Aug. 28, 2012**

(54) **PET BRUSH WITH LIQUID RESERVOIR AND DISTRIBUTION MEANS**

(76) Inventors: **Anthony Harris**, Sandusky, OH (US);
Traci Harris, Sandusky, OH (US)

(**) Term: **14 Years**

(21) Appl. No.: **29/380,853**

(22) Filed: **Dec. 12, 2010**

(51) **LOC (9) Cl.** **04-01**

(52) **U.S. Cl.** **D4/114; D4/134**

(58) **Field of Classification Search** D4/114,
D4/134, 136, 137, 138; D30/158; 15/159.1,
15/160, 186-188, 205.2; 119/600, 602-604,
119/612, 615, 664, 665; 132/120, 121, 313;
401/155, 176-179, 268, 270, 276, 279, 291

See application file for complete search history.

(56) **References Cited**

U.S. PATENT DOCUMENTS

D189,235 S *	11/1960	Racina	D4/134
D229,619 S *	12/1973	Sleith	D30/158
D357,810 S *	5/1995	Evans	D4/114
5,509,378 A *	4/1996	Kimura	119/601
5,845,603 A *	12/1998	Efaw	119/605
6,325,070 B1 *	12/2001	Tyroler et al.	132/112

6,367,421 B1 *	4/2002	Deacon	119/603
D460,272 S *	7/2002	Fong	D4/138
6,685,375 B1 *	2/2004	Crocker	401/176
6,718,913 B1 *	4/2004	Stupar	119/602
2011/0315158 A1 *	12/2011	Kloeppel-Riech et al. ...	132/148

FOREIGN PATENT DOCUMENTS

FR	2366815 A *	6/1998
JP	2006-587 A *	1/2006

* cited by examiner

Primary Examiner — Cathron Brooks

Assistant Examiner — Lavone D Tabor

(57) **CLAIM**

We claim the ornamental design for the pet brush with liquid reservoir and distribution means, as shown and described.

DESCRIPTION

FIG. 1 is a top view of the pet brush with liquid reservoir and distribution means.

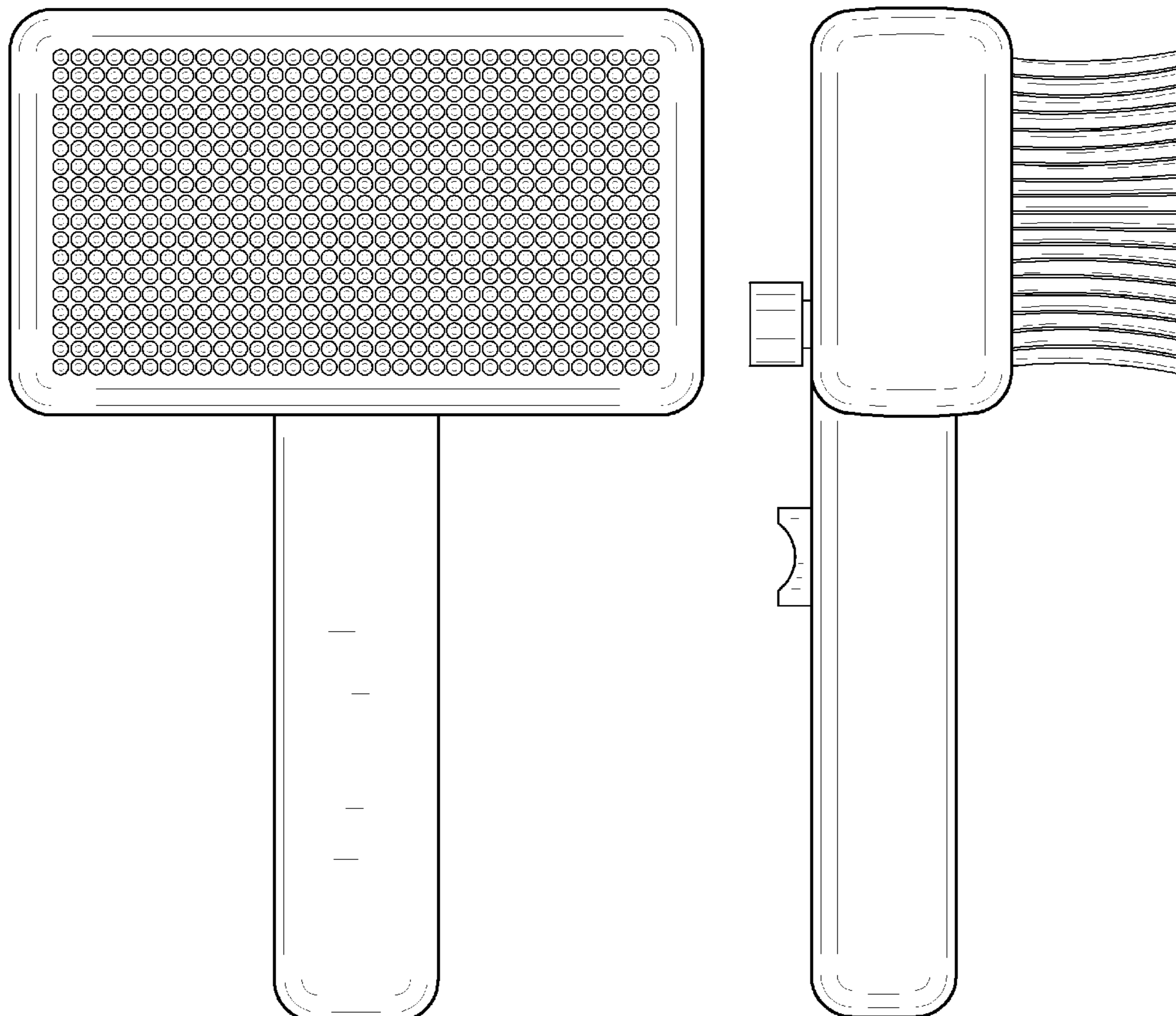
FIG. 2 is a bottom view of the claimed design.

FIG. 3 is a side view of the claimed design.

FIG. 4 is a front view of the claimed design; and,

FIG. 5 is a rear view of the claimed design.

1 Claim, 4 Drawing Sheets



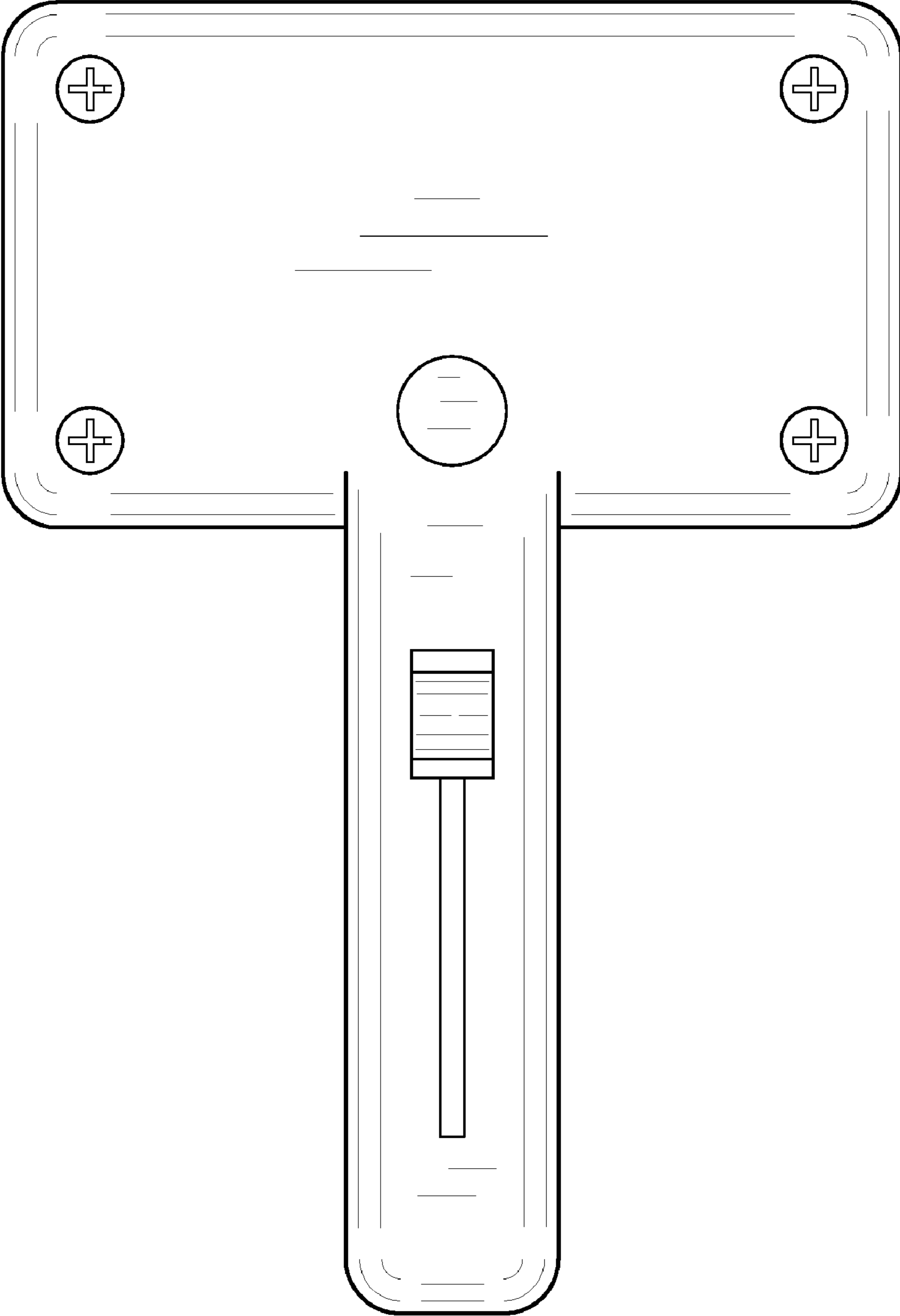


FIG. 1

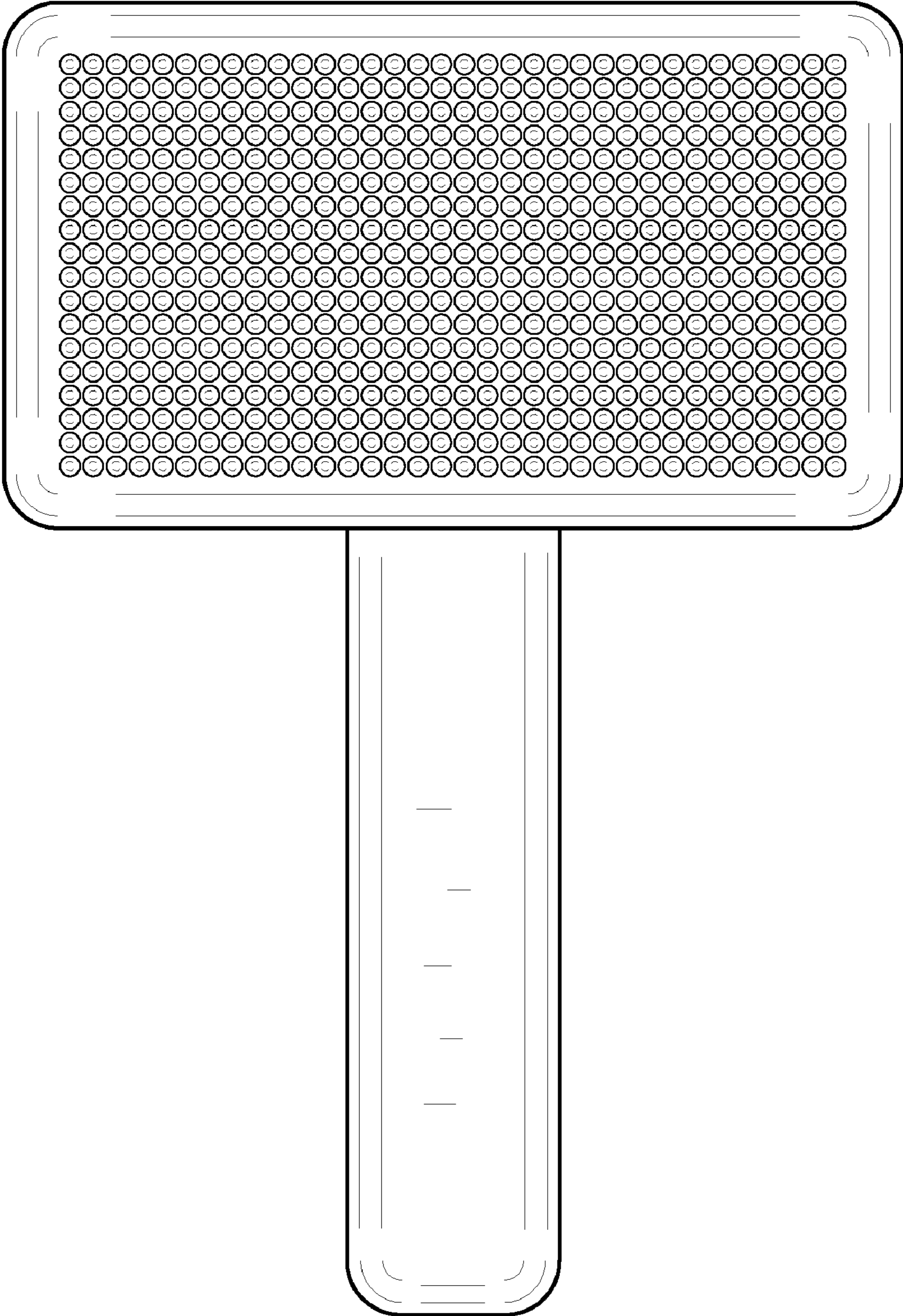


FIG. 2

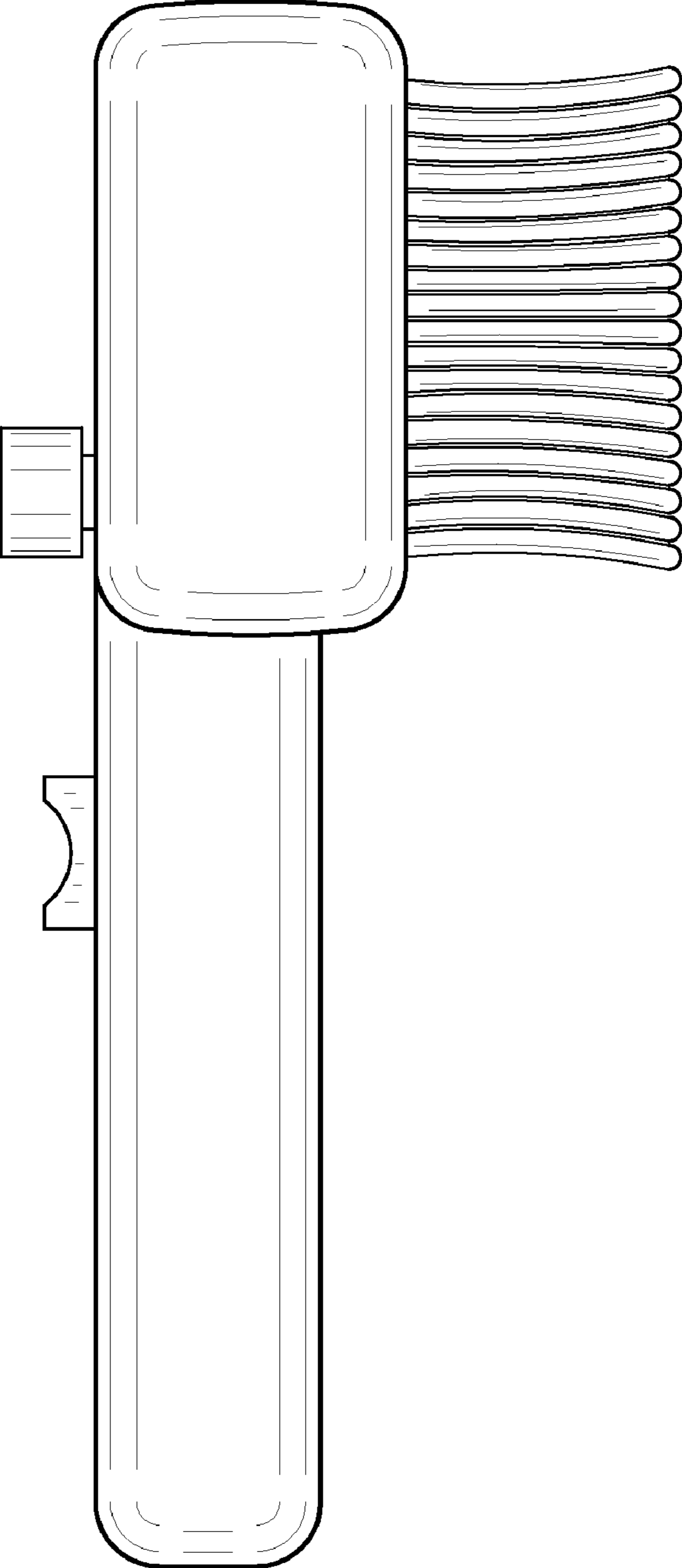


FIG. 3

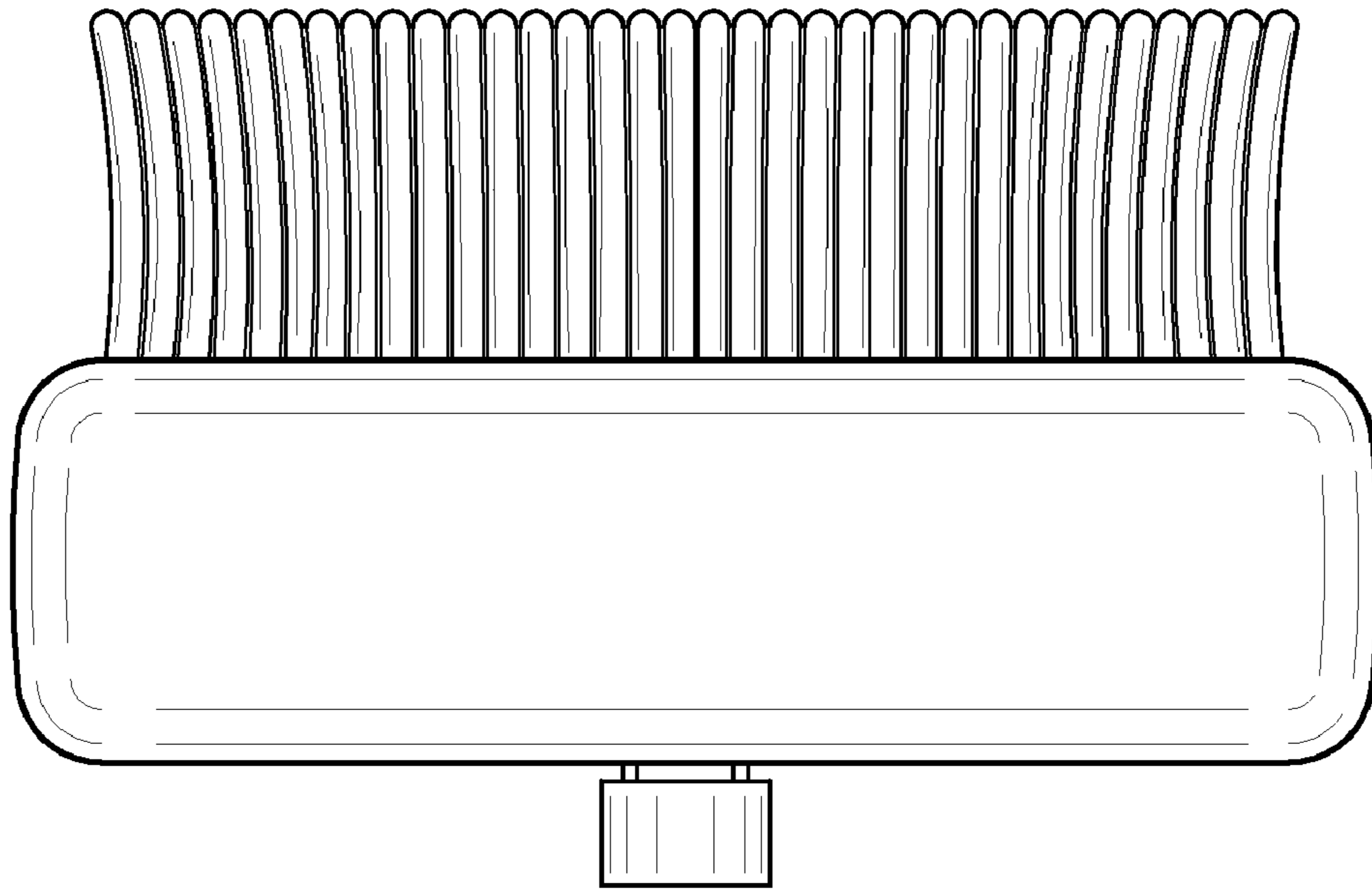


FIG. 4

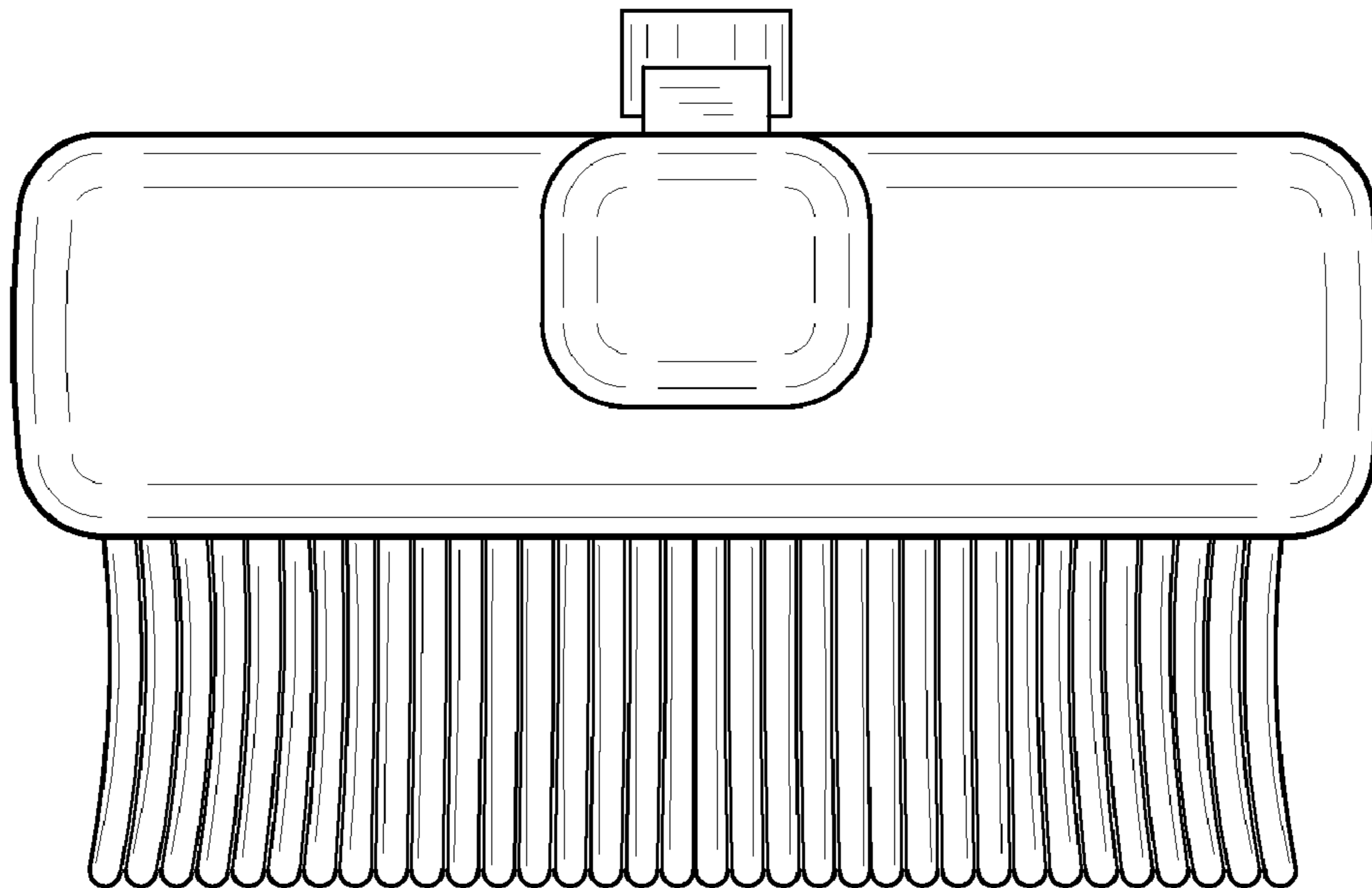


FIG. 5