



US00D666006S

(12) **United States Design Patent**  
**Zarrabi et al.**

(10) **Patent No.:** **US D666,006 S**

(45) **Date of Patent:** **\*\* Aug. 28, 2012**

(54) **DISPOSABLE TEETH CLEANING SYSTEM**

(76) Inventors: **Saam Zarrabi**, Dallas, TX (US); **Morad Masrouf Rad**, Calabasas, CA (US); **Patrick Zarrabi**, Tarzana, CA (US)

(\*\*) Term: **14 Years**

(21) Appl. No.: **29/411,654**

(22) Filed: **Jan. 24, 2012**

(51) **LOC (9) Cl.** ..... **04-02**

(52) **U.S. Cl.** ..... **D4/108; D28/68**

(58) **Field of Classification Search** ..... D4/104–112, D4/118, 134, 138; D24/146, 147, 152, 154; D28/65, 66, 68; 15/167.1, 167.2; 132/308–311, 132/321, 323, 324, 329; 601/139, 141  
See application file for complete search history.

(56) **References Cited**

**U.S. PATENT DOCUMENTS**

1,488,214	A *	3/1924	Mason	.....	132/324
D182,534	S *	4/1958	Nowak	.....	D4/108
2,888,008	A *	5/1959	Rosenthal	.....	601/141
D221,948	S *	9/1971	Centofanti	.....	D28/68
D240,341	S *	6/1976	Najjar	.....	D4/108
D296,271	S *	6/1988	Kobayashi	.....	D4/108
5,459,898	A *	10/1995	Bacolot	.....	15/106
D420,805	S *	2/2000	Bahl	.....	D4/108
D599,557	S *	9/2009	Crossman	.....	D4/108
D640,833	S *	6/2011	Kang	.....	D28/68

\* cited by examiner

*Primary Examiner* — Cathron Brooks

*Assistant Examiner* — Lavone D Tabor

(74) *Attorney, Agent, or Firm* — Bill R. Naifeh

(57) **CLAIM**

The ornamental design for a disposable teeth cleaning system, substantially as shown and described.

**DESCRIPTION**

FIG. 1 is a front perspective view of a disposable teeth cleaning system;

FIG. 2 is a left side view thereof;

FIG. 3 is a right side view thereof;

FIG. 4 is a front view thereof;

FIG. 5 is a back view thereof;

FIG. 6 is a top view thereof;

FIG. 7 is a bottom view thereof;

FIG. 8 is a front perspective view of an alternative embodiment of a disposable teeth cleaning system;

FIG. 9 is a left side view thereof;

FIG. 10 is a right side view thereof;

FIG. 11 is a front view thereof;

FIG. 12 is a back view thereof;

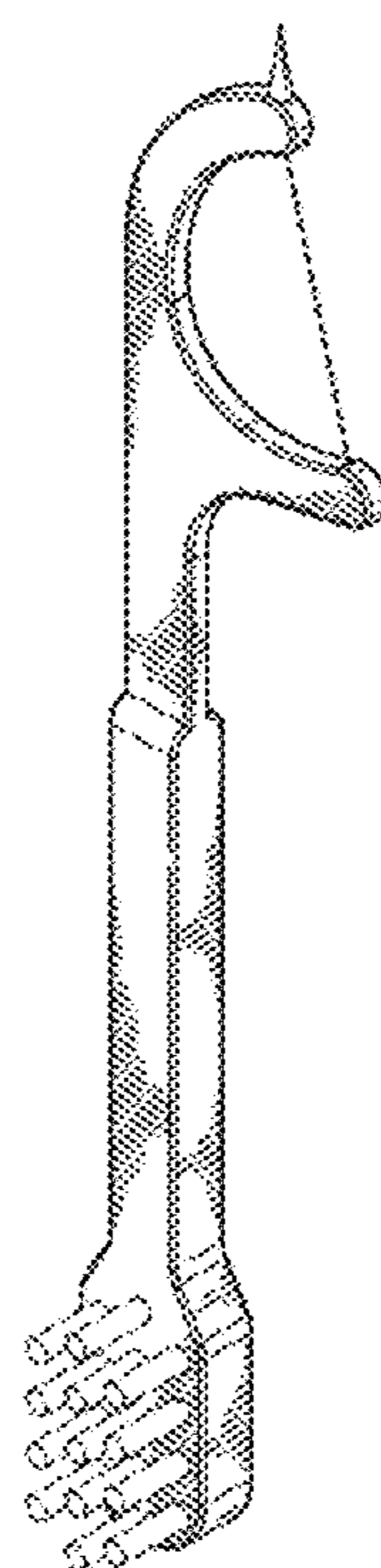
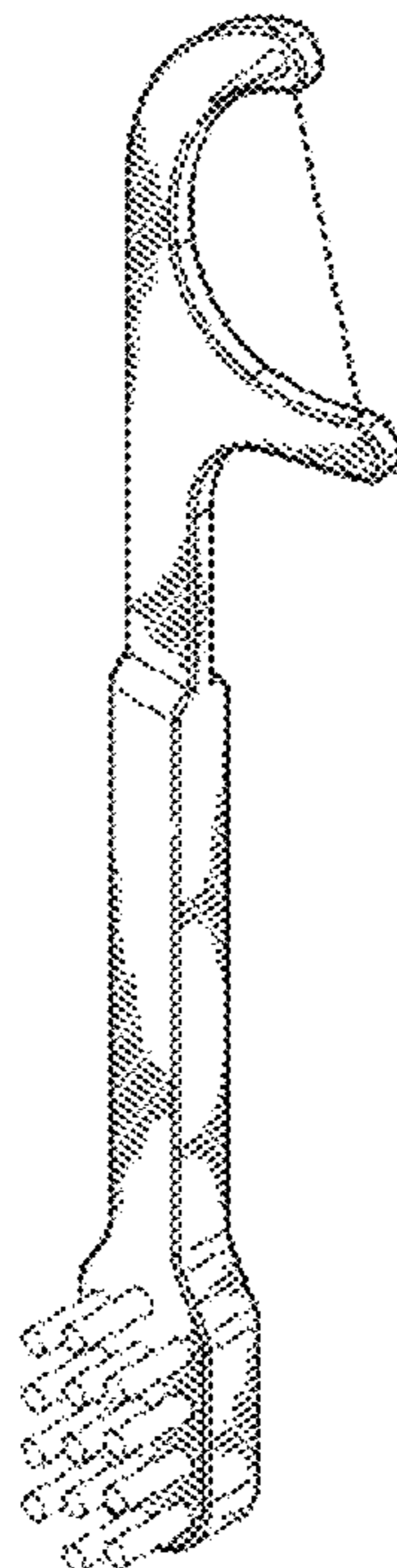
FIG. 13 is a top view thereof; and,

FIG. 14 is a bottom view thereof.

The surface lines in FIGS. 1 through 14 represent surface shading on a plastic material and are not part of the claimed design.

The broken lines showing bristles and floss illustrate portions of the teeth cleaning system that form no part of the claimed design.

**1 Claim, 6 Drawing Sheets**



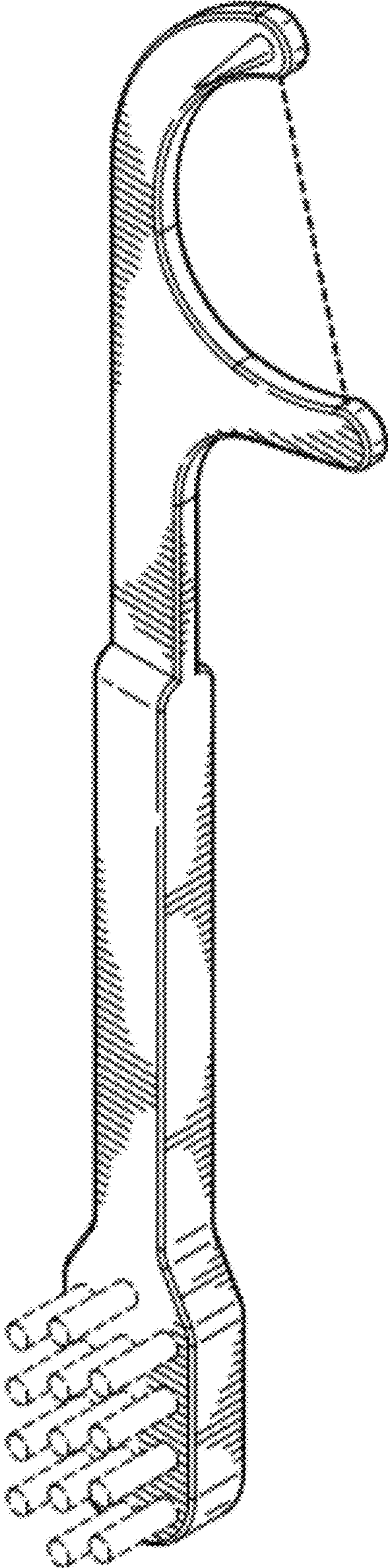


FIG. 1

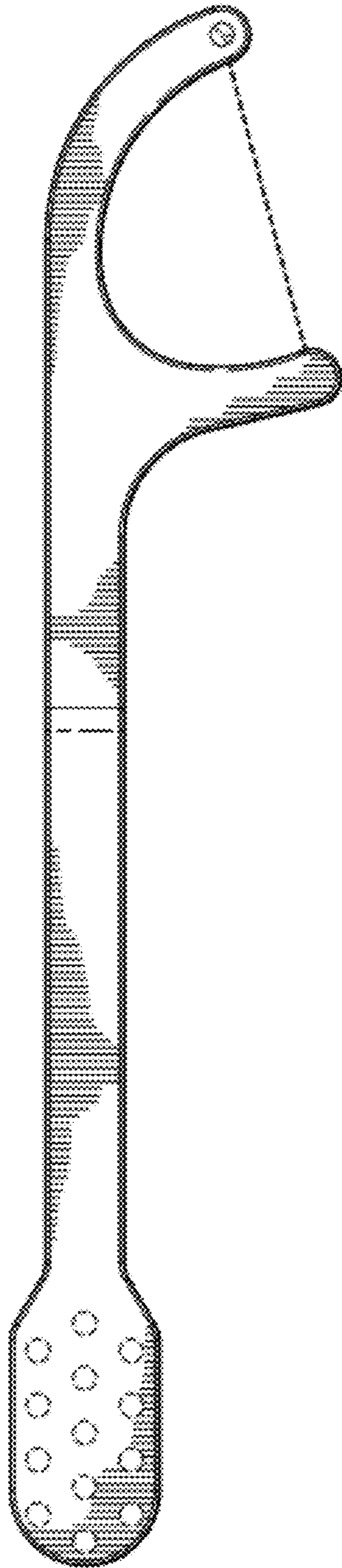


FIG. 2

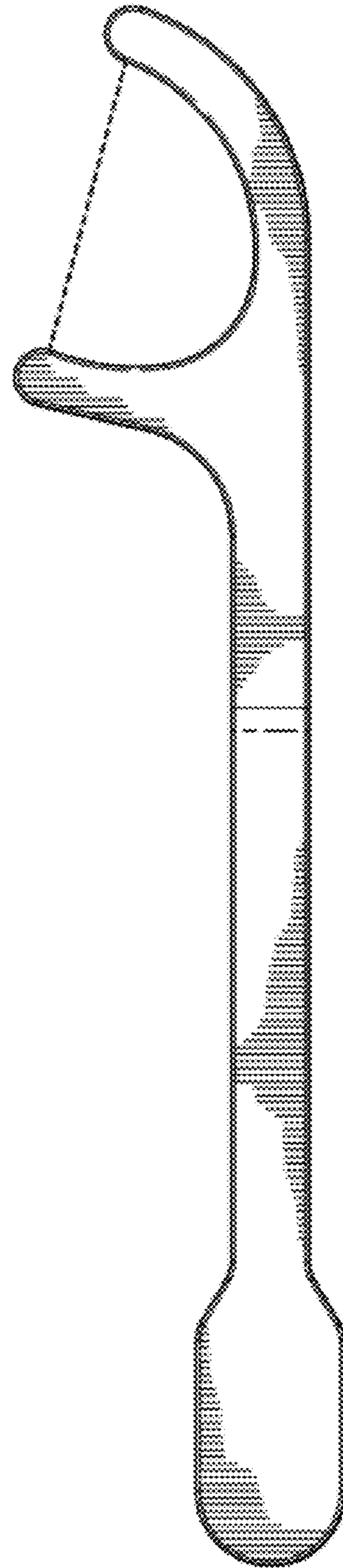


FIG. 3



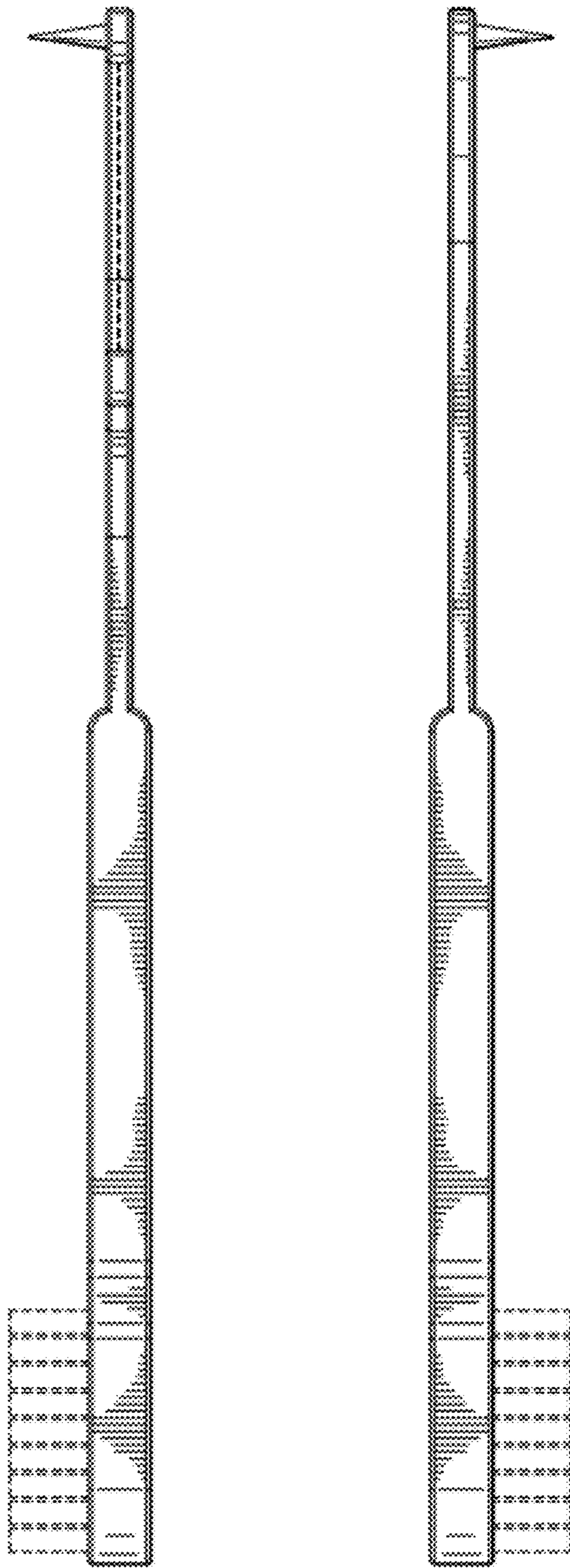


FIG. 4

FIG. 5

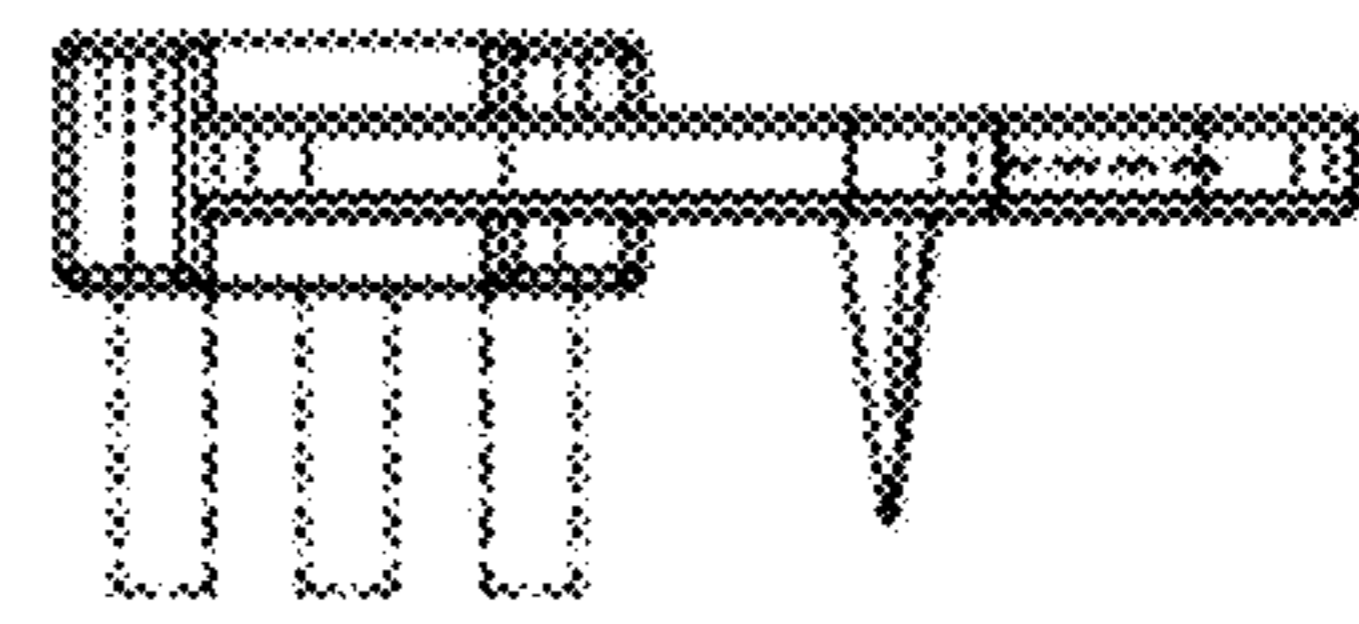


FIG. 6

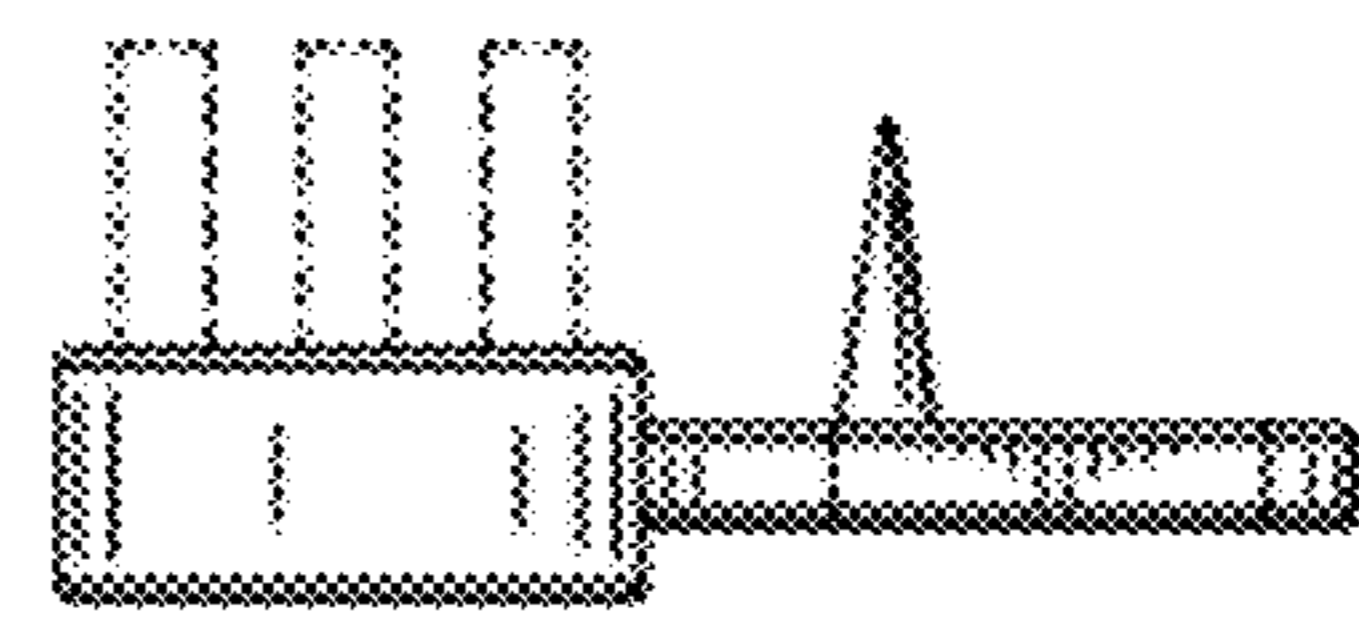


FIG. 7

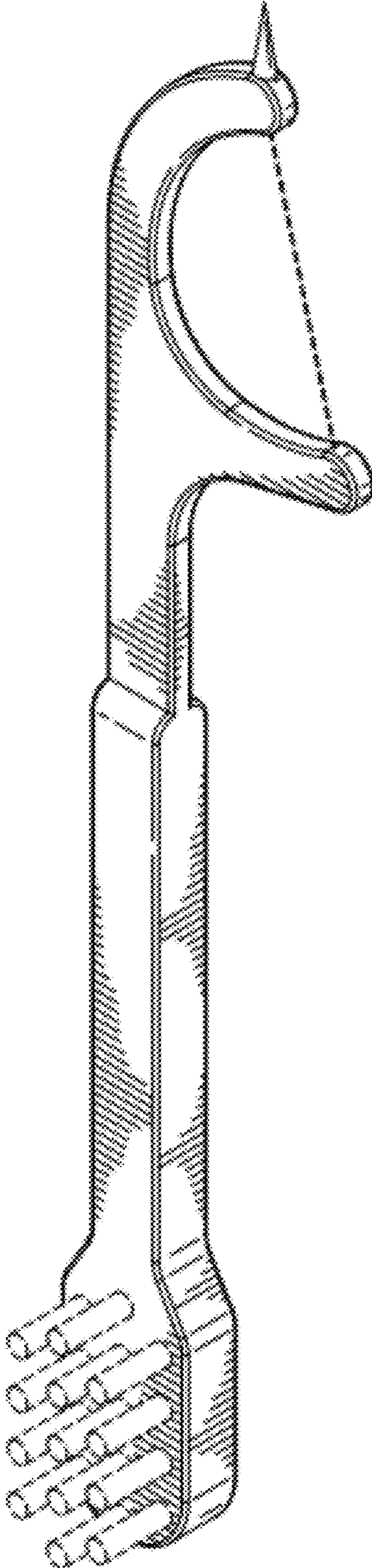


FIG. 8

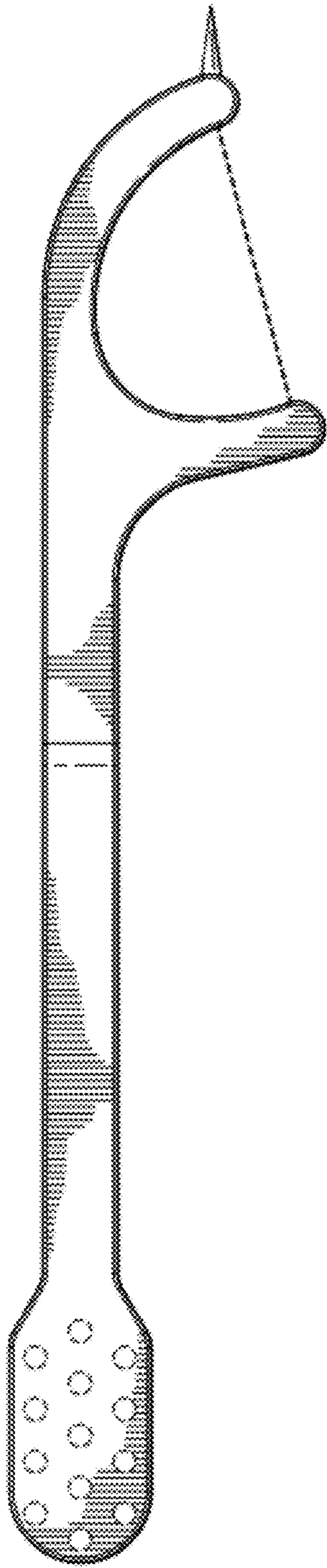


FIG. 9

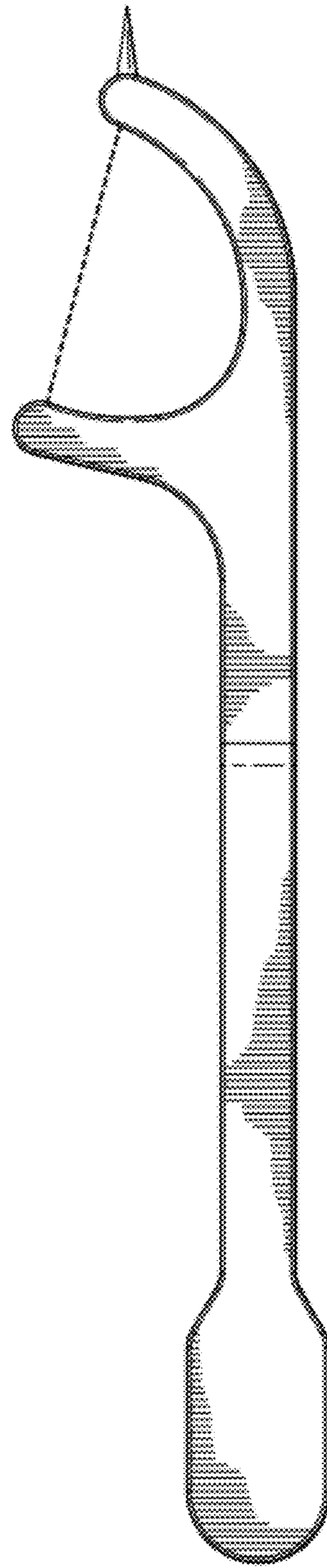


FIG. 10



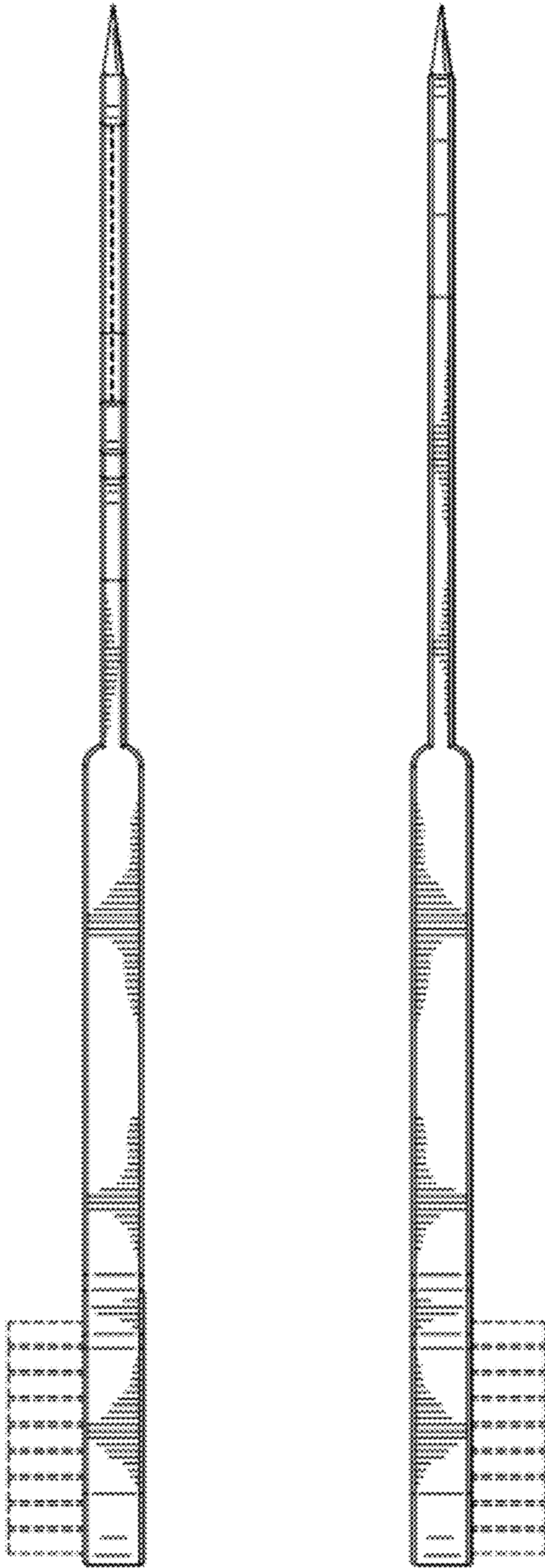


FIG. 11

FIG. 12

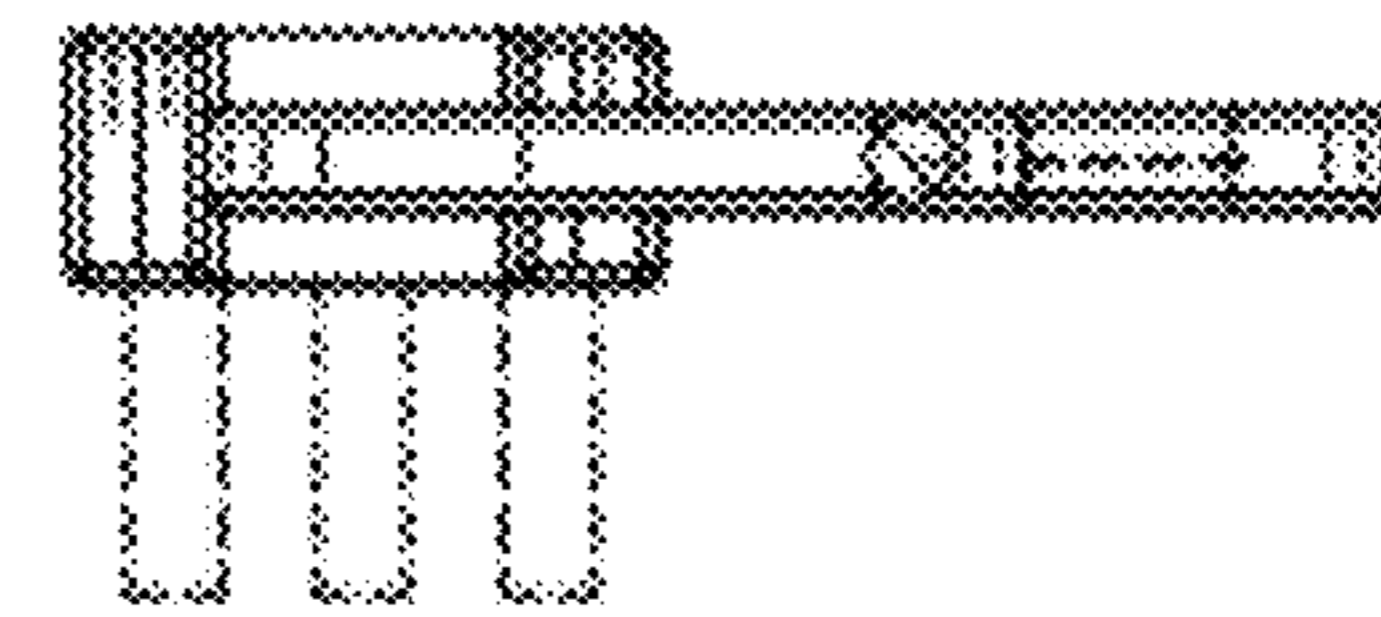


FIG. 13

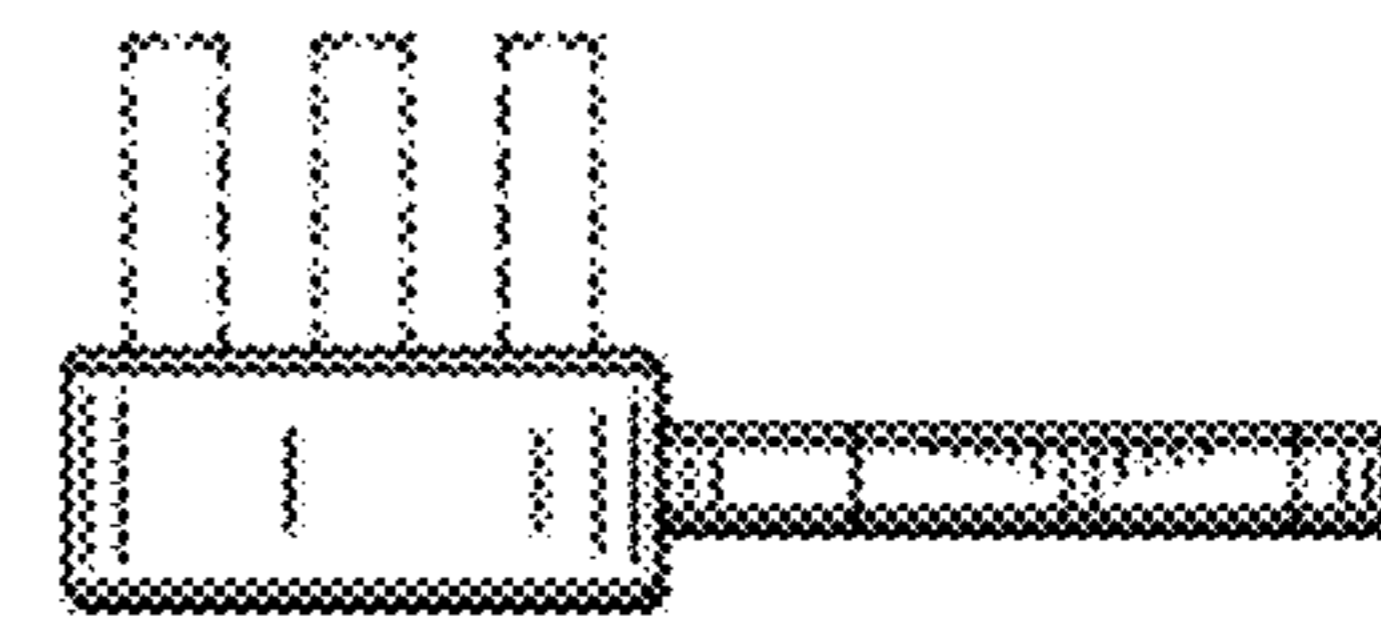


FIG. 14