

US00D666004S

(12) **United States Design Patent**  
**Santy et al.**

(10) **Patent No.:** **US D666,004 S**

(45) **Date of Patent:** **\*\* \*Aug. 28, 2012**

(54) **LUGGAGE HANDLE**

(75) Inventors: **Dirk Santy**, Koekelare (BE); **Joris Smeuninx**, Ghent (BE)

(73) Assignee: **Samsonite IP Holdings S.a.r.l.**, Luxembourg (LU)

(\*) Notice: This patent is subject to a terminal disclaimer.

(\*\*) Term: **14 Years**

(21) Appl. No.: **29/390,038**

(22) Filed: **Apr. 19, 2011**

(30) **Foreign Application Priority Data**

Oct. 20, 2010 (EM) ..... 001241350-0002

(51) **LOC (9) Cl.** ..... **03-01**

(52) **U.S. Cl.** ..... **D3/318**

(58) **Field of Classification Search** ..... D3/318,  
D3/321, 322, 324, 273, 276, 279, 281, 282,  
D3/291; 190/18 A, 39, 111, 114-115; 16/114.1,  
16/113.1, 405-406  
See application file for complete search history.

(56) **References Cited**

U.S. PATENT DOCUMENTS

- 1,808,375 A 6/1931 Plooster
- 1,908,926 A \* 5/1933 Severance ..... 294/92
- 2,059,621 A 11/1936 Belcher
- 2,277,976 A \* 3/1942 Helmenstine ..... 294/103.1
- 2,394,782 A 2/1946 Kalske
- 2,723,027 A 11/1955 Guyer
- 2,868,433 A 1/1959 Anderson, Jr.
- 4,298,104 A 11/1981 Leong
- 4,436,244 A 3/1984 Morris
- 4,539,705 A 9/1985 Baines
- D302,077 S \* 7/1989 Kim ..... D8/317
- 4,867,575 A 9/1989 Wood

- 4,874,256 A 10/1989 Baines
- 5,054,619 A 10/1991 Muckenfuhs
- 5,071,260 A 12/1991 Poppe et al.
- 5,252,161 A 10/1993 Chang et al.
- 5,427,241 A 6/1995 Sutherland
- D368,371 S \* 4/1996 Calmeise ..... D3/282

(Continued)

FOREIGN PATENT DOCUMENTS

DE 3205340 A1 8/1983

(Continued)

*Primary Examiner* — Sheryl Lane

(74) *Attorney, Agent, or Firm* — Dorsey & Whitney LLP

(57) **CLAIM**

The ornamental design for a luggage handle, as shown and described.

**DESCRIPTION**

FIG. 1 is a front perspective view of a luggage handle, the luggage handle shown on a luggage case;

FIG. 2 is another front perspective view of the luggage handle of FIG. 1;

FIG. 3 is a rear perspective view of the luggage handle of FIG. 1;

FIG. 4 is a front elevation view of the luggage handle of FIG. 1;

FIG. 5 is a top plan view of the luggage handle of FIG. 1;

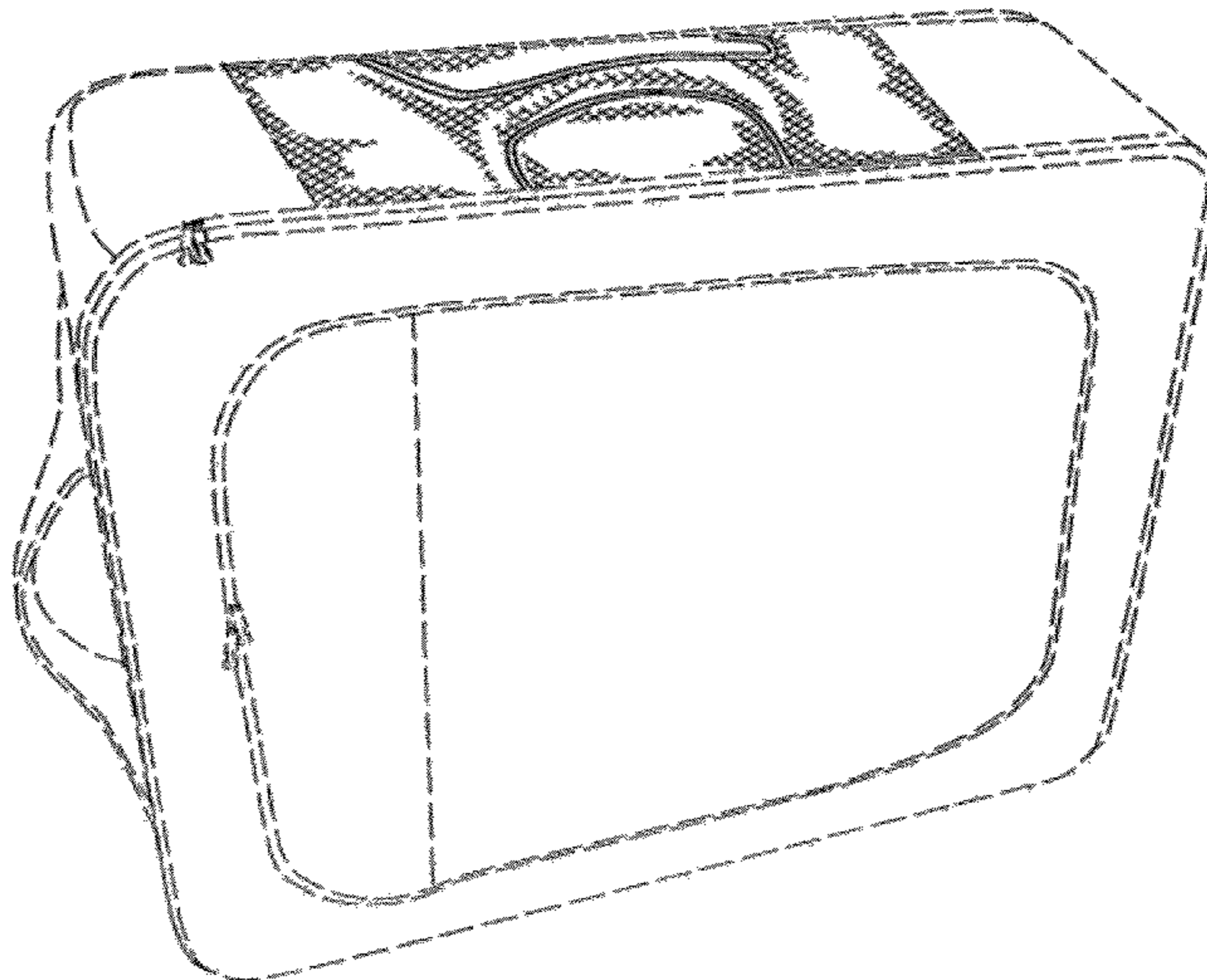
FIG. 6 is a right elevation view of the luggage handle of FIG. 1; and,

FIG. 7 is a rear elevation view of the luggage handle of FIG. 1.

The left elevation view is a mirror image of the right elevation view.

The dashed lines in the drawings represent environment and boundaries of the article and form no part of the claimed design.

**1 Claim, 3 Drawing Sheets**



# US D666,004 S

Page 2

## U.S. PATENT DOCUMENTS

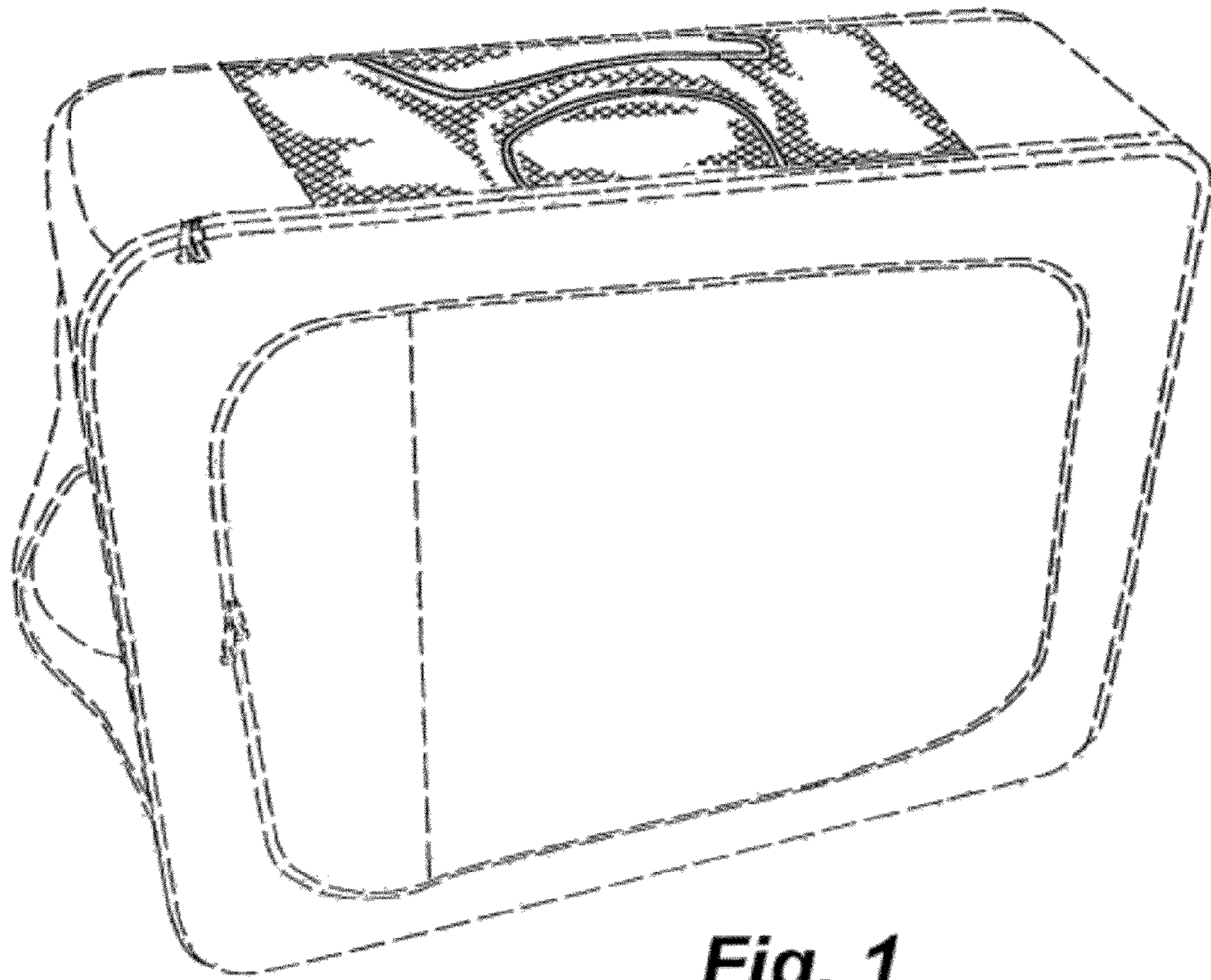
D372,796	S	8/1996	Ferris	
D380,298	S *	7/1997	Ferris .....	D3/279
D419,853	S *	2/2000	Workman et al. ....	D8/317
6,044,879	A	4/2000	Ray	
6,247,203	B1	6/2001	Kuo	
6,302,319	B1	10/2001	Peeples et al.	
D456,135	S	4/2002	Shapiro	
D460,618	S	7/2002	Szyf	
D468,534	S *	1/2003	Crandall .....	D3/289
6,502,677	B1	1/2003	Tiramani et al.	
6,612,413	B2	9/2003	Kuwayama	
6,874,604	B2	4/2005	Miller et al.	
D526,784	S	8/2006	Proot	
D528,301	S *	9/2006	Proot et al. ....	D3/318
D571,103	S	6/2008	Simonian et al.	
7,690,503	B2	4/2010	Foster et al.	
7,806,314	B2	10/2010	Sutherland	
D639,063	S	6/2011	Benoit	
D643,214	S *	8/2011	Weedon et al. ....	D3/276
8,032,986	B2	10/2011	Lawrence	
D650,584	S	12/2011	Kim	
2001/0037923	A1	11/2001	Godshaw	
2003/0099503	A1	5/2003	Moor	
2004/0070242	A1	4/2004	Illulian	
2008/0199107	A1	8/2008	Nicholson	
2011/0088987	A1	4/2011	Santy et al.	

## FOREIGN PATENT DOCUMENTS

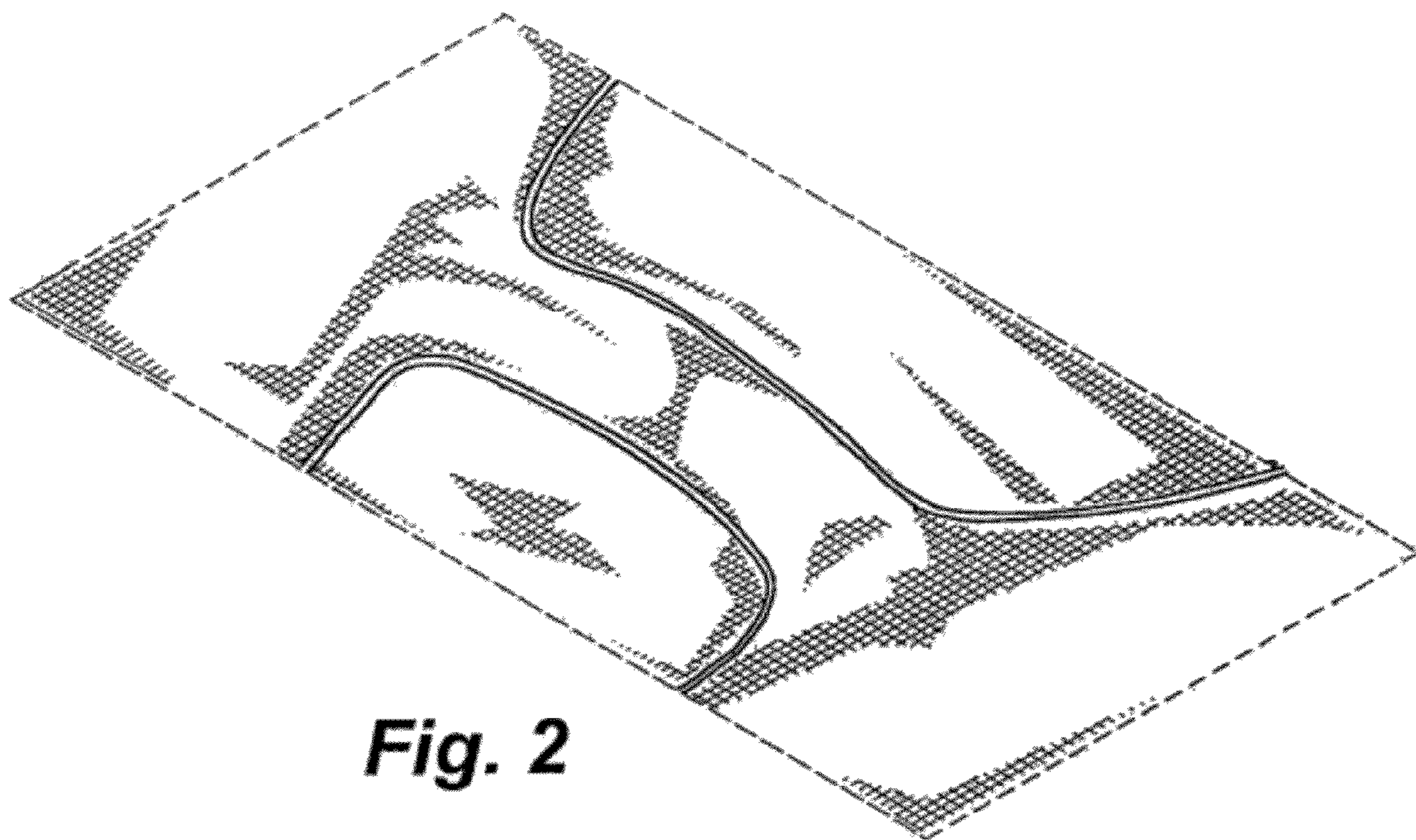
DE	8428169.3	U1	11/1984
DE	20300644	U1	5/2004
DE	202005013492	U1	1/2006

EM	001625757-0001		10/2009
EM	001199392-0002		3/2010
EM	001199392-0003		3/2010
EM	001241350-0001		10/2010
EM	001241368-0001		10/2010
EM	001245369-0001		11/2010
EM	001245369-0002		11/2010
EM	001261903-0001		2/2011
EM	001261903-0002		2/2011
EM	001261903-0003		2/2011
EM	001261903-0004		2/2011
EM	001901539-0001		8/2011
EM	001905993-0001		9/2011
EM	001935743-0001		10/2011
EM	001935743-0002		10/2011
EM	001935743-0003		10/2011
EM	001947599-0001		11/2011
EM	001947599-0002		11/2011
EM	001947599-0003		11/2011
EM	002024737-0001		4/2012
EM	002024737-0002		4/2012
EP	0553693	A2	8/1993
EP	1777167	A1	4/2007
EP	2363037		9/2011
FR	2013083	A1	3/1970
FR	2053590	A5	4/1971
GB	3008506		11/2002
GB	3014894		10/2003
WO	9321078	A1	10/1993
WO	2008038308	A1	4/2008
WO	2008098116	A1	8/2008

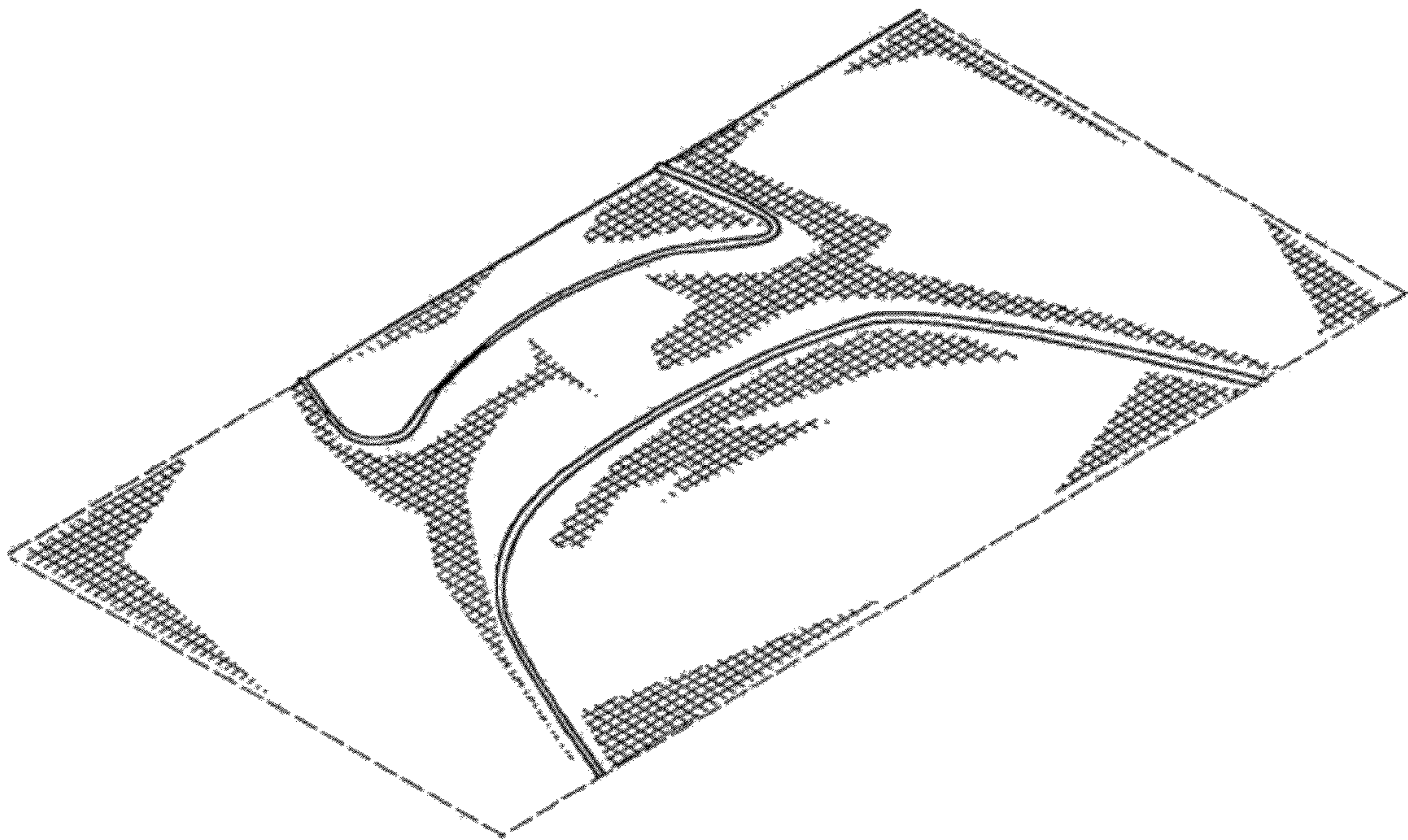
\* cited by examiner



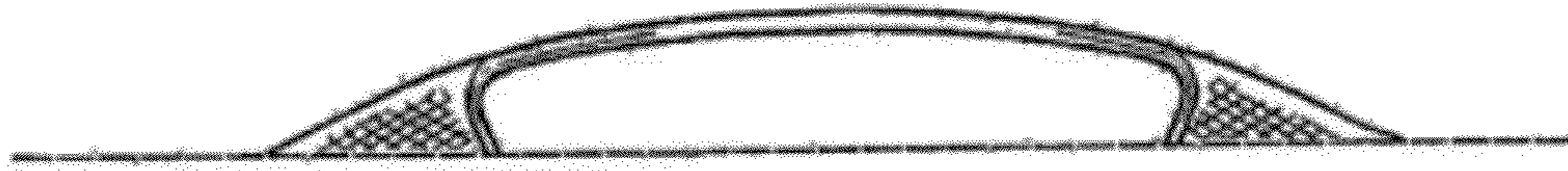
**Fig. 1**



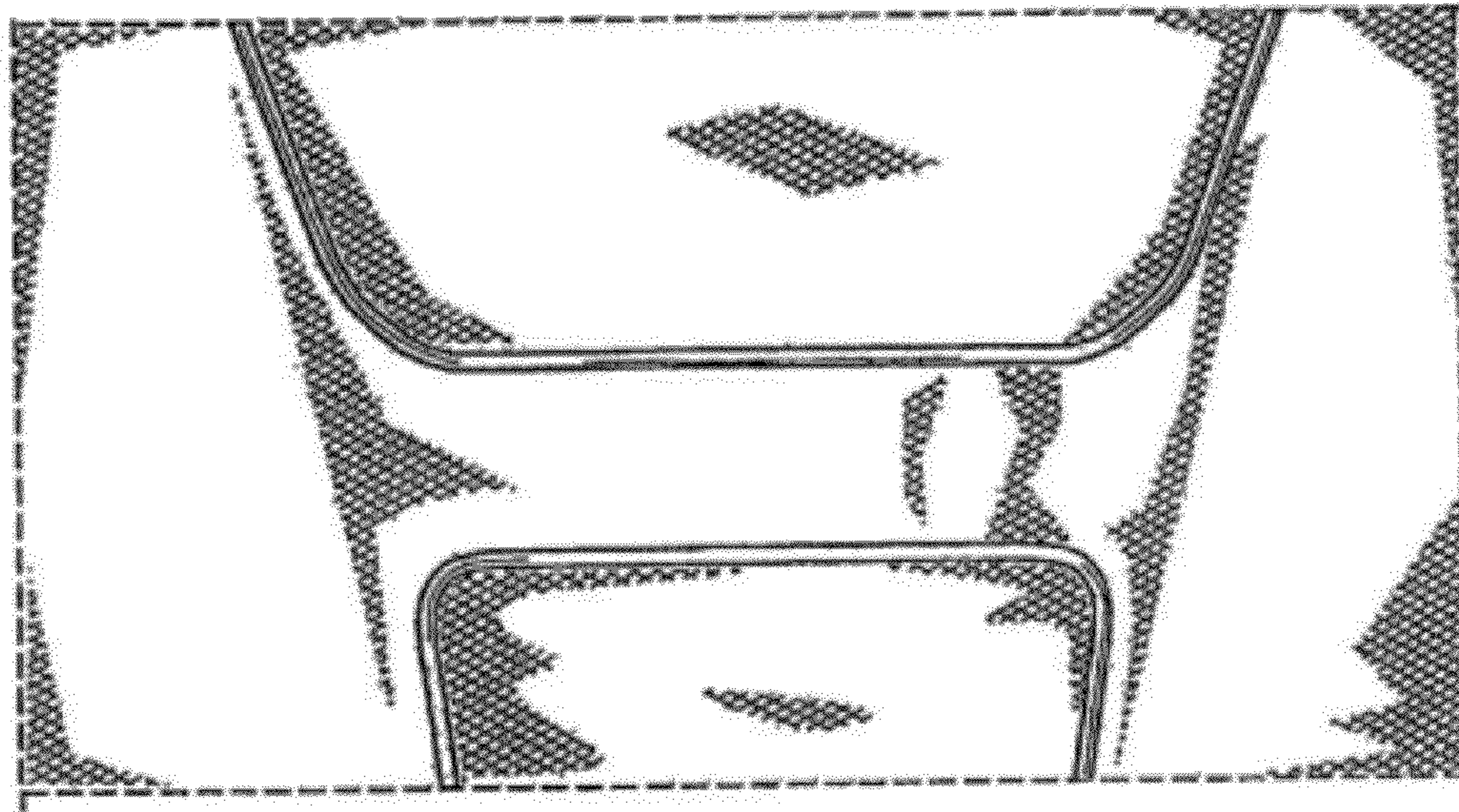
**Fig. 2**



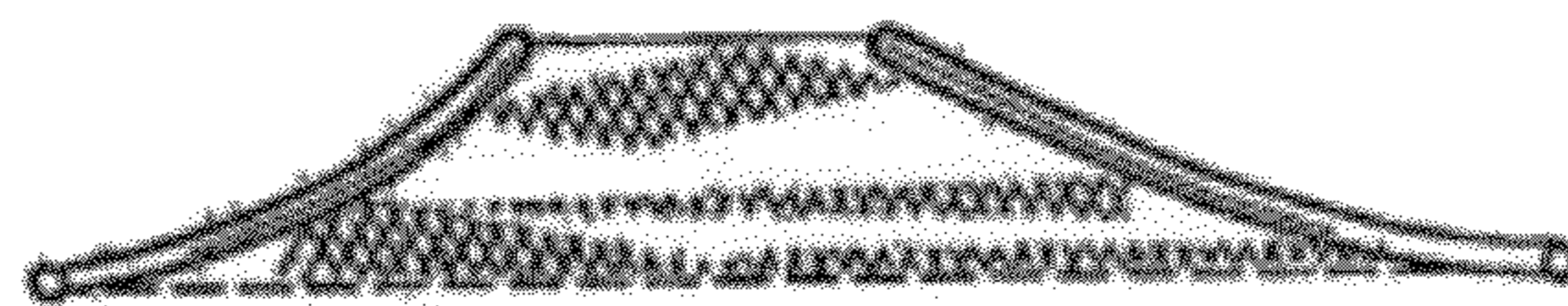
**Fig. 3**



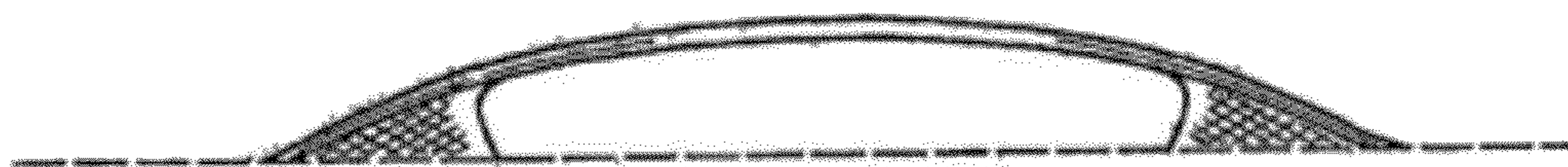
**Fig. 4**



**Fig. 5**



**Fig. 6**



**Fig. 7**