



US00D666003S

(12) **United States Design Patent**  
**Santy et al.**

(10) **Patent No.:** **US D666,003 S**  
(45) **Date of Patent:** **\*\* Aug. 28, 2012**

(54) **LUGGAGE HANDLE**

(75) Inventors: **Dirk Santy**, Koekelare (BE); **Joris Smeuninx**, Ghent (BE)

(73) Assignee: **Samsonite IP Holdings S.a.r.l.**, Luxembourg (LU)

(\*\*) Term: **14 Years**

(21) Appl. No.: **29/390,033**

(22) Filed: **Apr. 19, 2011**

(30) **Foreign Application Priority Data**

Oct. 20, 2010 (EM) ..... 001241350-0001

(51) **LOC (9) Cl.** ..... **03-01**

(52) **U.S. Cl.** ..... **D3/318**

(58) **Field of Classification Search** ..... D3/318,  
D3/321, 322, 324, 273, 276, 279, 281, 282,  
D3/291; 190/18 A, 39, 111, 114-115; 16/114.1,  
16/113.1, 405-406

See application file for complete search history.

(56) **References Cited**

**U.S. PATENT DOCUMENTS**

1,808,375 A	6/1931	Plooster	
1,908,926 A *	5/1933	Severance	294/92
2,059,621 A	11/1936	Belcher	
2,277,976 A *	3/1942	Helmenstine	294/103.1
2,394,782 A	2/1946	Kalske	
2,723,027 A	11/1955	Guyer	
2,868,433 A	1/1959	Anderson, Jr.	
4,298,104 A	11/1981	Leong	
4,436,244 A	3/1984	Morris	
4,539,705 A	9/1985	Baines	
D302,077 S *	7/1989	Kim	D8/317
4,867,575 A	9/1989	Wood	
4,874,256 A	10/1989	Baines	
5,054,619 A	10/1991	Muckenfuhs	
5,071,260 A	12/1991	Poppe et al.	

5,252,161 A	10/1993	Chang et al.	
5,427,241 A	6/1995	Sutherland	
D368,371 S *	4/1996	Calmeise	D3/282
D372,796 S	8/1996	Ferris	
D380,298 S *	7/1997	Ferris	D3/279
D419,853 S *	2/2000	Workman et al.	D8/317
6,044,879 A	4/2000	Ray	
6,247,203 B1	6/2001	Kuo	

(Continued)

**FOREIGN PATENT DOCUMENTS**

DE 3205340 A1 8/1983

(Continued)

*Primary Examiner* — Sheryl Lane

(74) *Attorney, Agent, or Firm* — Dorsey & Whitney LLP

(57) **CLAIM**

The ornamental design for a luggage handle, as shown and described.

**DESCRIPTION**

FIG. 1 is a front perspective view of a luggage handle, the luggage handle shown on a luggage case;

FIG. 2 is another front perspective view of the luggage handle of FIG. 1;

FIG. 3 is a rear perspective view of the luggage handle of FIG. 1;

FIG. 4 is a front elevation view of the luggage handle of FIG. 1;

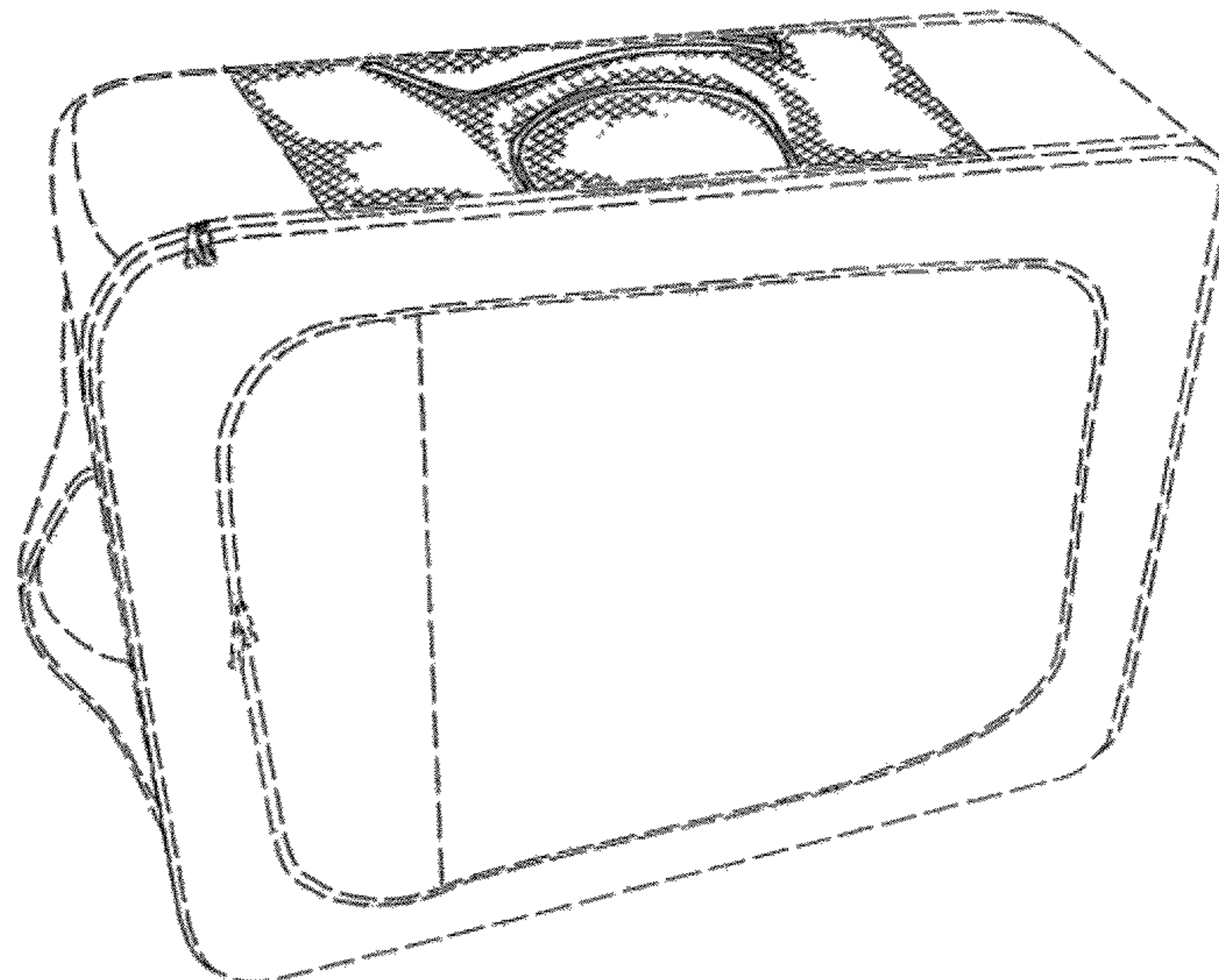
FIG. 5 is a top plan view of the luggage handle of FIG. 1;

FIG. 6 is a right elevation view of the luggage handle of FIG. 1; and,

FIG. 7 is a rear elevation view of the luggage handle of FIG. 1.

The dashed lines in the drawings represent environment and boundaries of the article and form no part of the claimed design.

**1 Claim, 3 Drawing Sheets**



# US D666,003 S

Page 2

## U.S. PATENT DOCUMENTS

6,302,319	B1	10/2001	Peeples et al.	
D456,135	S	4/2002	Shapiro	
D460,618	S	7/2002	Szyf	
D468,534	S *	1/2003	Crandall .....	D3/289
6,502,677	B1	1/2003	Tiramani et al.	
6,612,413	B2	9/2003	Kuwayama	
6,874,604	B2	4/2005	Miller et al.	
D526,784	S	8/2006	Proot	
D528,301	S *	9/2006	Proot et al. ....	D3/318
D571,103	S	6/2008	Simonian et al.	
7,690,503	B2	4/2010	Foster et al.	
7,806,314	B2	10/2010	Sutherland	
D639,063	S	6/2011	Benoit	
D643,214	S *	8/2011	Weedon et al. ....	D3/276
8,032,986	B2	10/2011	Lawrence	
D650,584	S	12/2011	Kim	
2001/0037923	A1	11/2001	Godshaw	
2003/0099503	A1	5/2003	Moor	
2004/0070242	A1	4/2004	Illulian	
2008/0199107	A1	8/2008	Nicholson	
2011/0088987	A1	4/2011	Santy et al.	

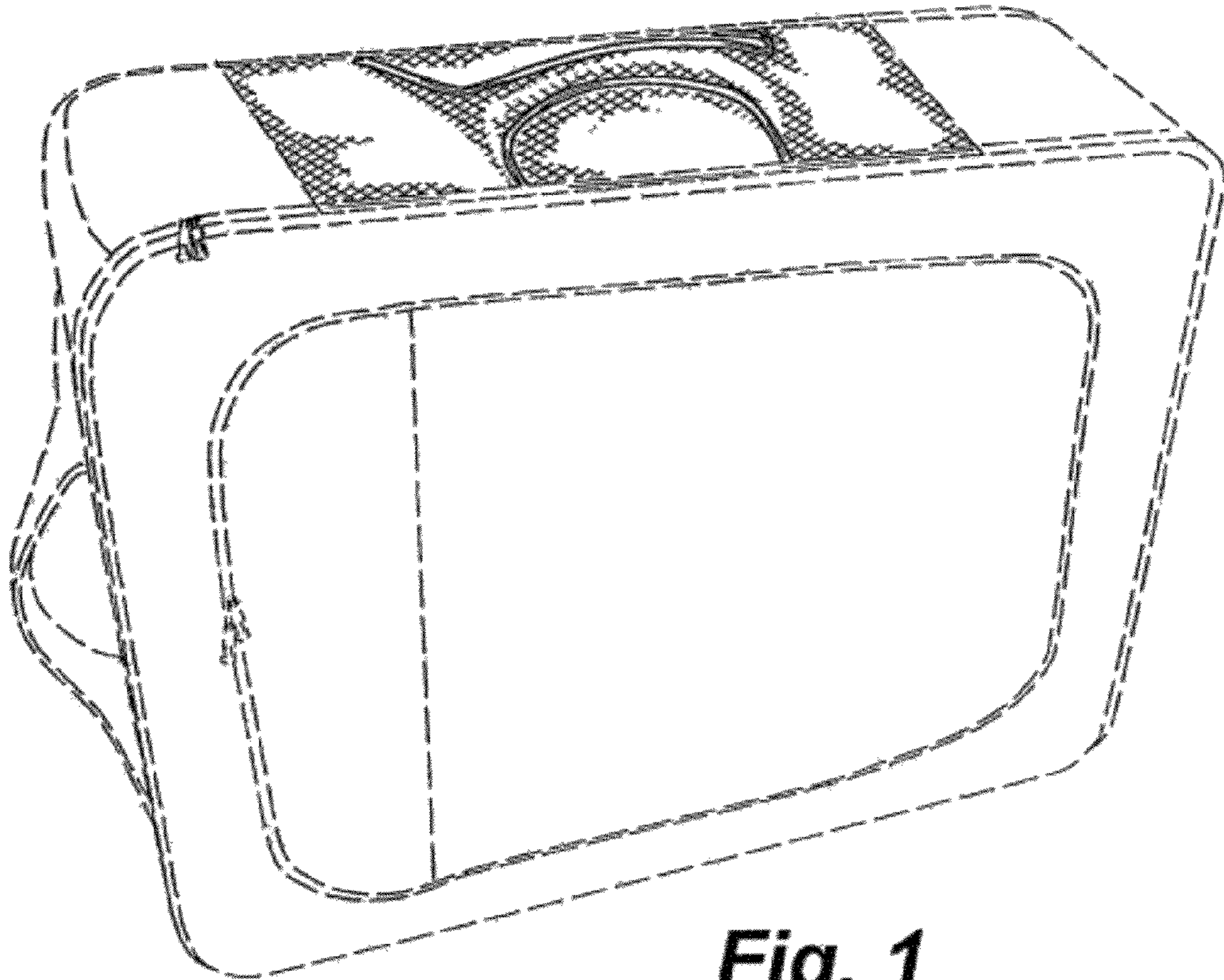
## FOREIGN PATENT DOCUMENTS

DE	8428169.3	U1	11/1984
DE	20300644	U1	5/2004
DE	202005013492		1/2006
EM	001625757-0001		10/2009
EM	001199392-0002		3/2010

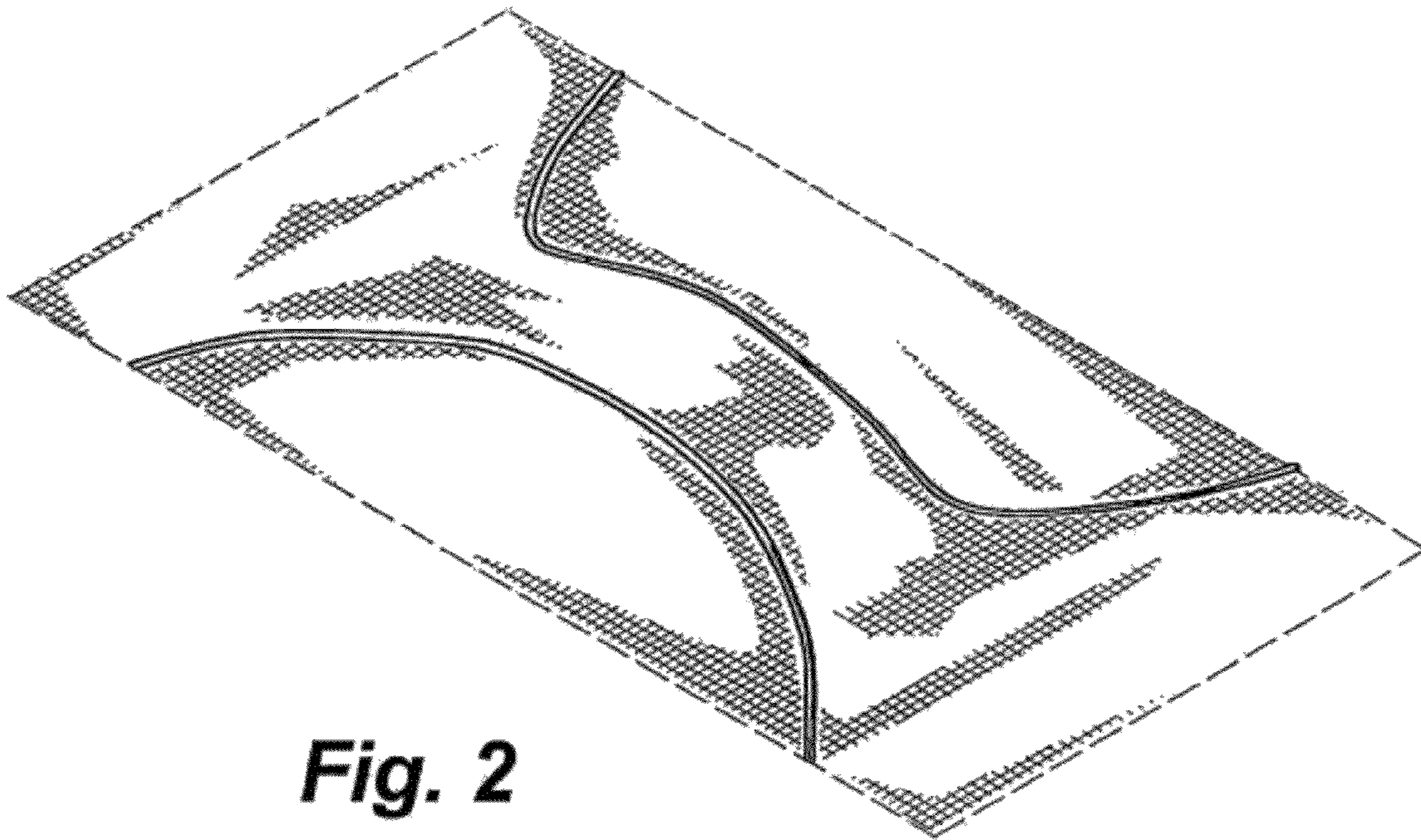
EM	001199392-0003		3/2010
EM	001241350-0002		10/2010
EM	001241368-0001		10/2010
EM	001245369-0001		11/2010
EM	001245369-0002		11/2010
EM	001261903-0001		2/2011
EM	001261903-0002		2/2011
EM	001261903-0003		2/2011
EM	001261903-0004		2/2011
EM	001901539-0001		8/2011
EM	001905993-0001		9/2011
EM	001935743-0001		10/2011
EM	001935743-0002		10/2011
EM	001935743-0003		10/2011
EM	001947599-0001		11/2011
EM	001947599-0002		11/2011
EM	001947599-0003		11/2011
EM	002024737-0001		4/2012
EM	002024737-0002		4/2012
EP	0553693	A2	8/1993
EP	1777167	A1	4/2007
EP	2363037		9/2011
FR	2013083	A1	3/1970
FR	2053590	A5	4/1971
GB	3008506		11/2002
GB	3014894		10/2003
WO	9321078	A1	10/1993
WO	2008038308	A1	4/2008
WO	2008098116	A1	8/2008

\* cited by examiner

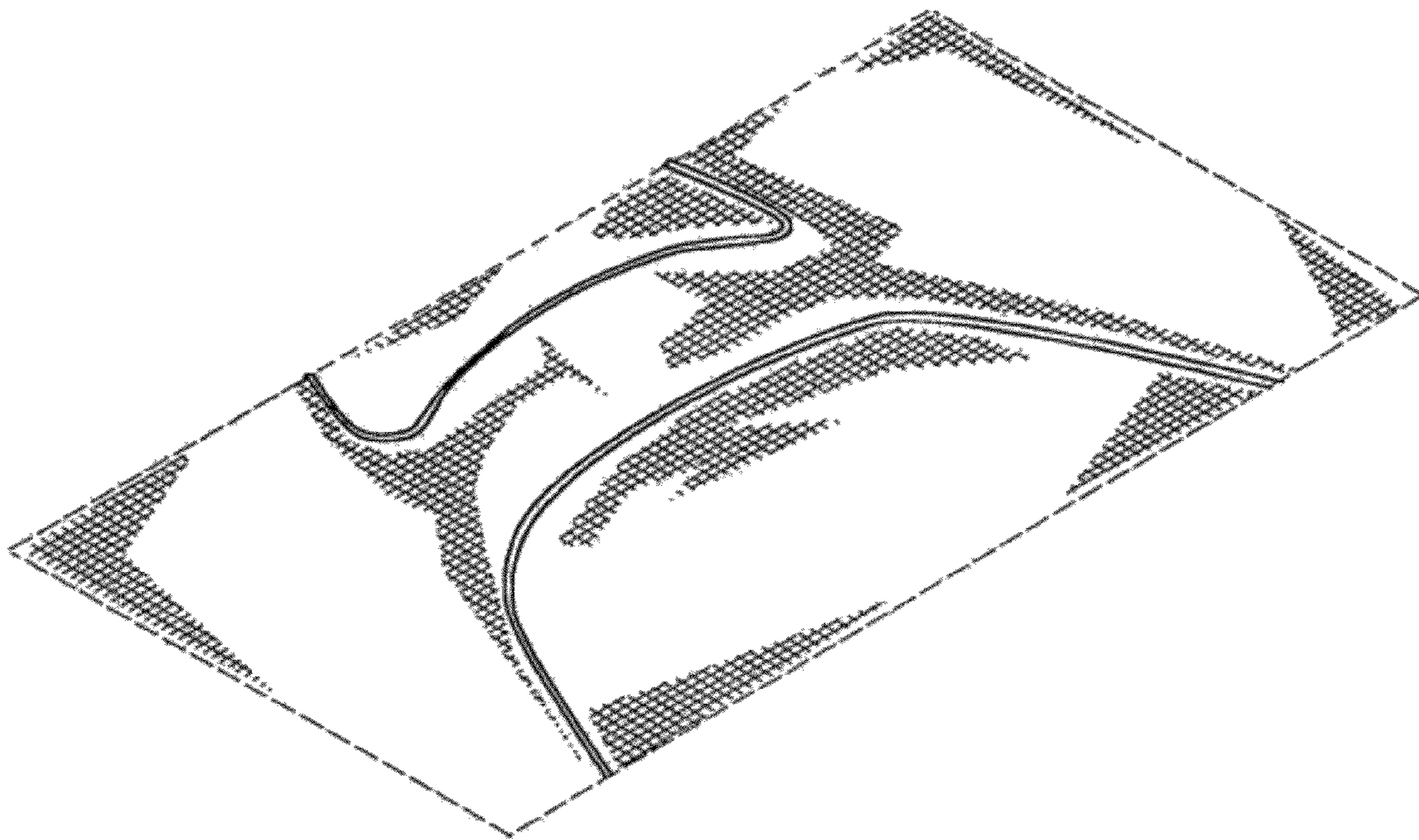




**Fig. 1**

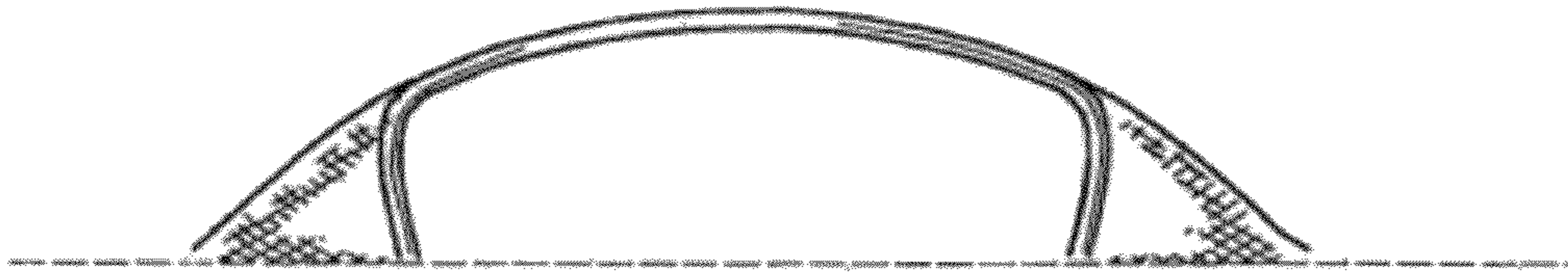


**Fig. 2**

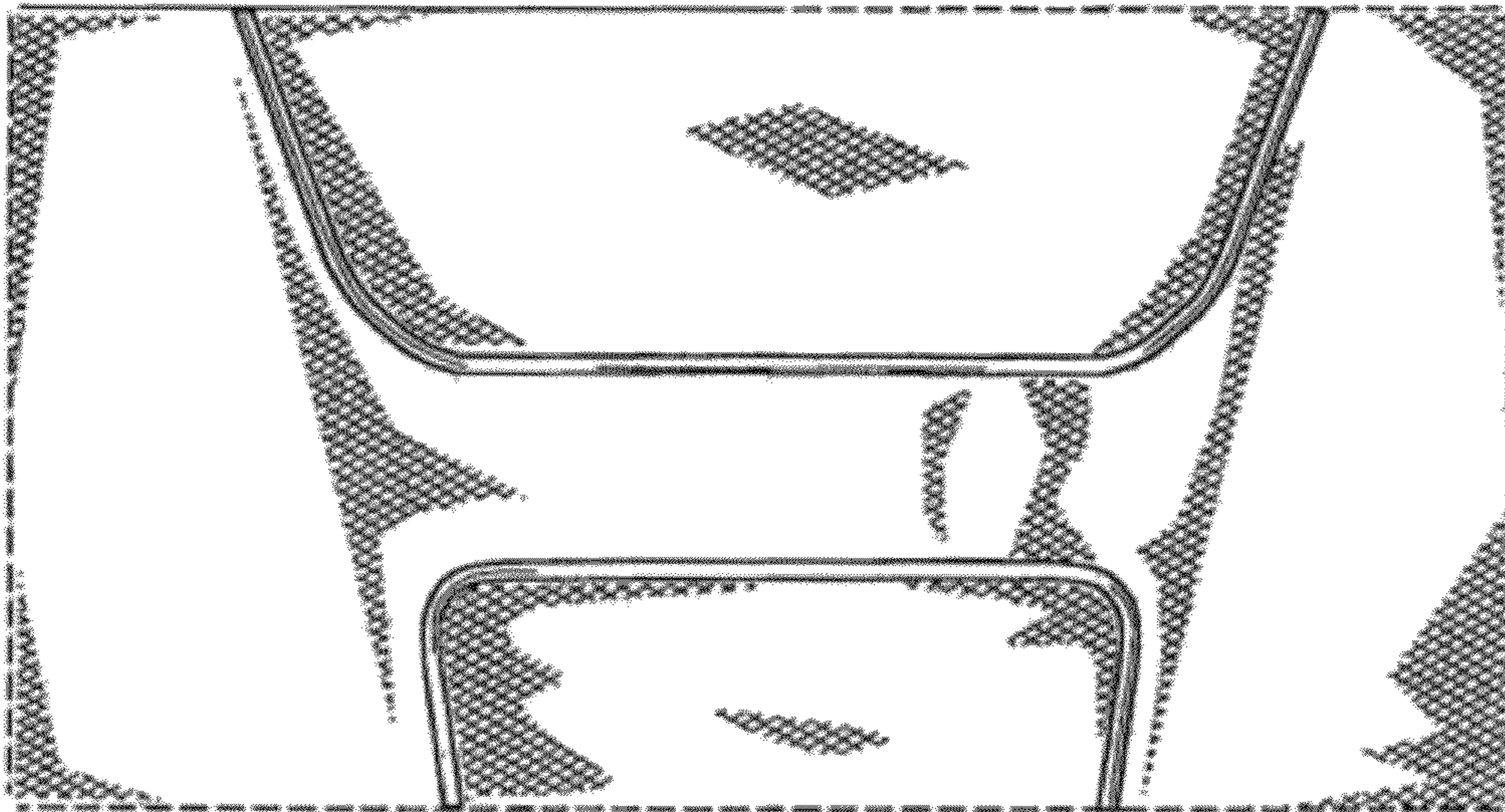


***Fig. 3***

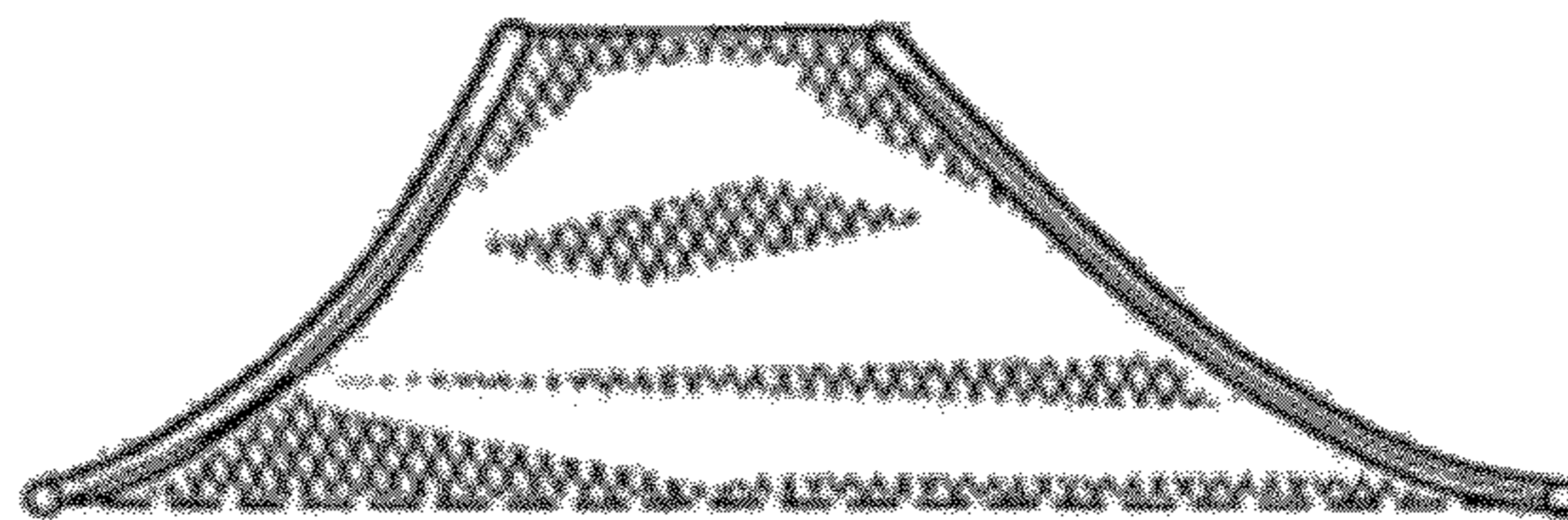




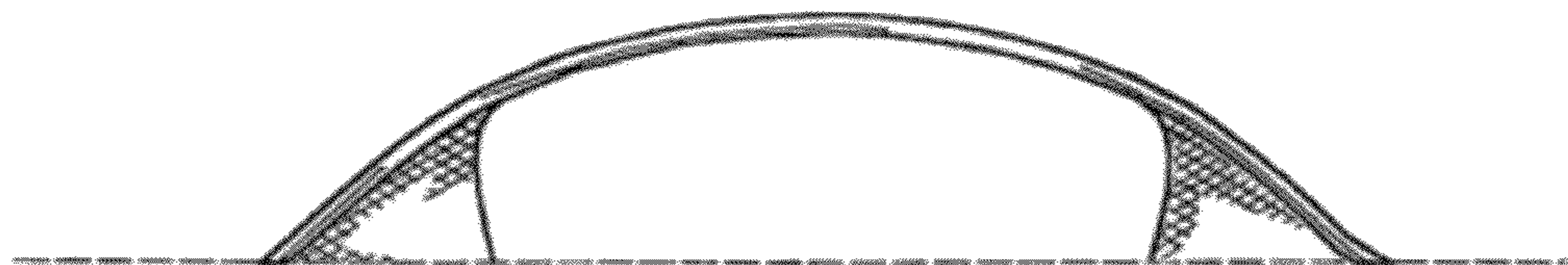
**Fig. 4**



**Fig. 5**



**Fig. 6**



**Fig. 7**