

US00D666001S

(12) **United States Design Patent**
Phillips et al.

(10) **Patent No.:** **US D666,001 S**

(45) **Date of Patent:** **** Aug. 28, 2012**

(54) **DEVICE FOLIO**

(75) Inventors: **Alison Phillips**, Toronto (CA); **Todd Andrew Wood**, Toronto (CA)

(73) Assignee: **Research In Motion Limited**, Waterloo, Ontario (CA)

(**) Term: **14 Years**

(21) Appl. No.: **29/383,305**

(22) Filed: **Jan. 14, 2011**

(51) **LOC (9) Cl.** **03-01**

(52) **U.S. Cl.** **D3/303**

(58) **Field of Classification Search** D3/303,
D3/217, 218, 226, 227, 230, 232, 243, 265,
D3/299; D19/3; 150/110, 112, 117, 118;
383/38, 68, 61.1

See application file for complete search history.

(56) **References Cited**

U.S. PATENT DOCUMENTS

1,426,485	A *	8/1922	La Roche	383/2
1,598,719	A *	9/1926	Hiering	150/108
1,893,931	A *	1/1933	Bromfeld	150/118
D95,694	S *	5/1935	Lewis	D3/243
2,101,997	A *	12/1937	Goldberg	150/117
D138,707	S *	9/1944	Fritzie	D3/243
3,127,076	A *	3/1964	Tebbs	224/199
D231,415	S *	4/1974	Weber	D3/11
D247,653	S *	3/1978	Kamenstein	D3/251
D263,897	S *	4/1982	Thornton	D3/243
D322,810	S *	12/1991	Bak	D19/3
D328,524	S *	8/1992	St. Thomas	D3/243
D344,630	S *	3/1994	Doerksen	D3/230
D360,751	S *	8/1995	Nash	D3/233
D377,191	S *	1/1997	Thompson	D19/3
D379,713	S *	6/1997	MacLean	D3/243

D380,295	S *	7/1997	Morris	D3/243
D395,333	S *	6/1998	Kara	D19/3
D446,642	S *	8/2001	Dix	D3/243
D468,094	S *	1/2003	Bomann	D3/226
D471,014	S *	3/2003	Shapiro	D3/303
D485,982	S *	2/2004	Merkel et al.	D3/226
D508,772	S *	8/2005	Gilson et al.	D3/271.1
D543,696	S *	6/2007	Dodier	D3/226
D550,451	S *	9/2007	Burlington	D3/226
D554,704	S *	11/2007	Krepak	D19/86
D557,739	S *	12/2007	Bharma	D19/26
D558,267	S *	12/2007	Bharma	D19/26
D611,253	S *	3/2010	Lown et al.	D3/301
D616,645	S *	6/2010	Bernsohn	D3/232
D623,852	S *	9/2010	Kroll	D3/226
D629,204	S *	12/2010	Spira	D3/303
D643,626	S *	8/2011	Swartz et al.	D3/299
D645,659	S *	9/2011	Fahrendorff et al.	D3/218

* cited by examiner

Primary Examiner — Sheryl Lane

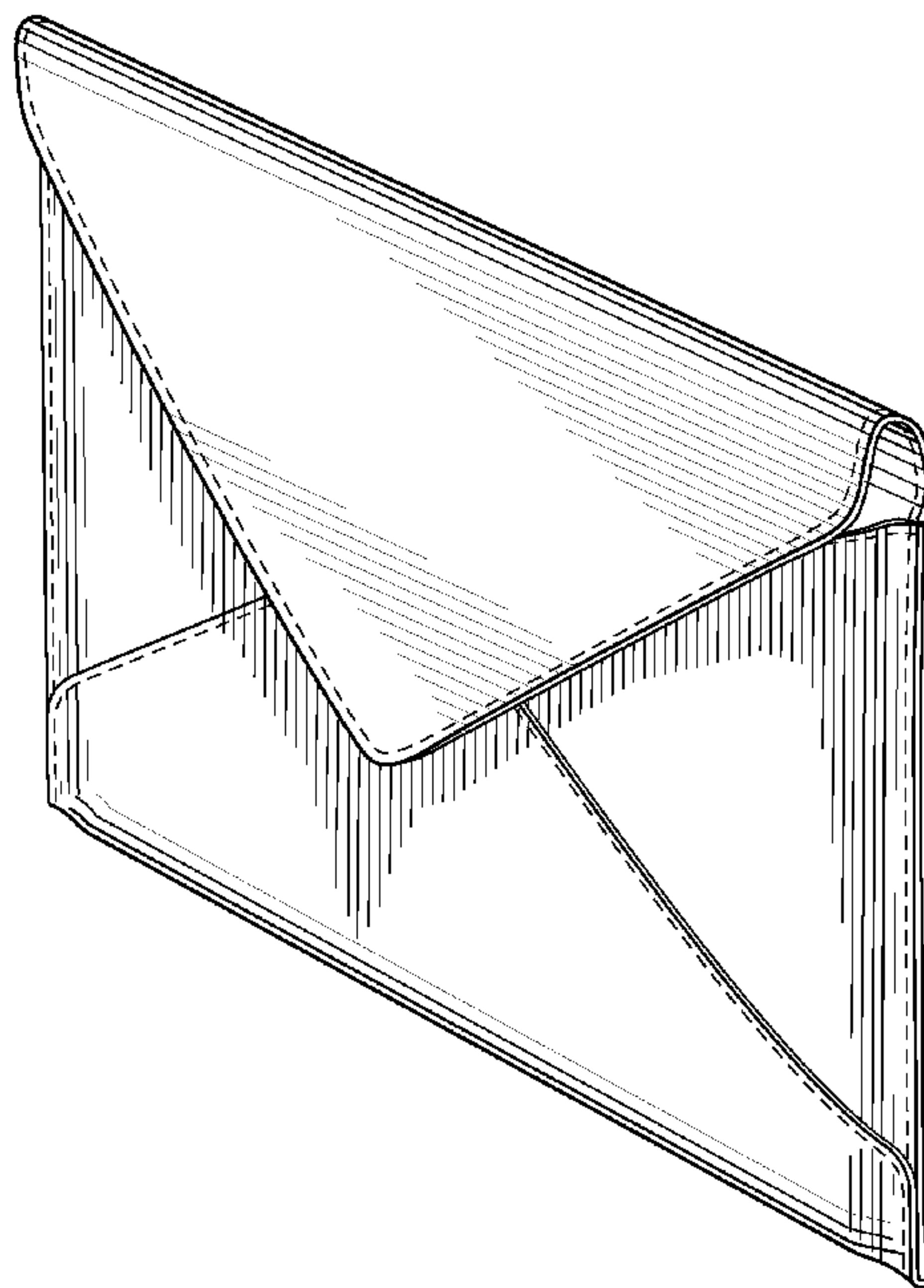
(57) **CLAIM**

We claim the ornamental design for a device folio, as shown and described.

DESCRIPTION

FIG. 1 is a front perspective view of a device folio;
FIG. 2 is a back perspective view of the device folio;
FIG. 3 is a front elevational view thereof;
FIG. 4 is a back elevational view thereof;
FIG. 5 is a left elevational view thereof;
FIG. 6 is a right elevational view thereof;
FIG. 7 is a top plan view thereof; and,
FIG. 8 is a bottom plan view thereof.
The broken line showing of the stitching in the drawings is part of the claimed design.

1 Claim, 5 Drawing Sheets



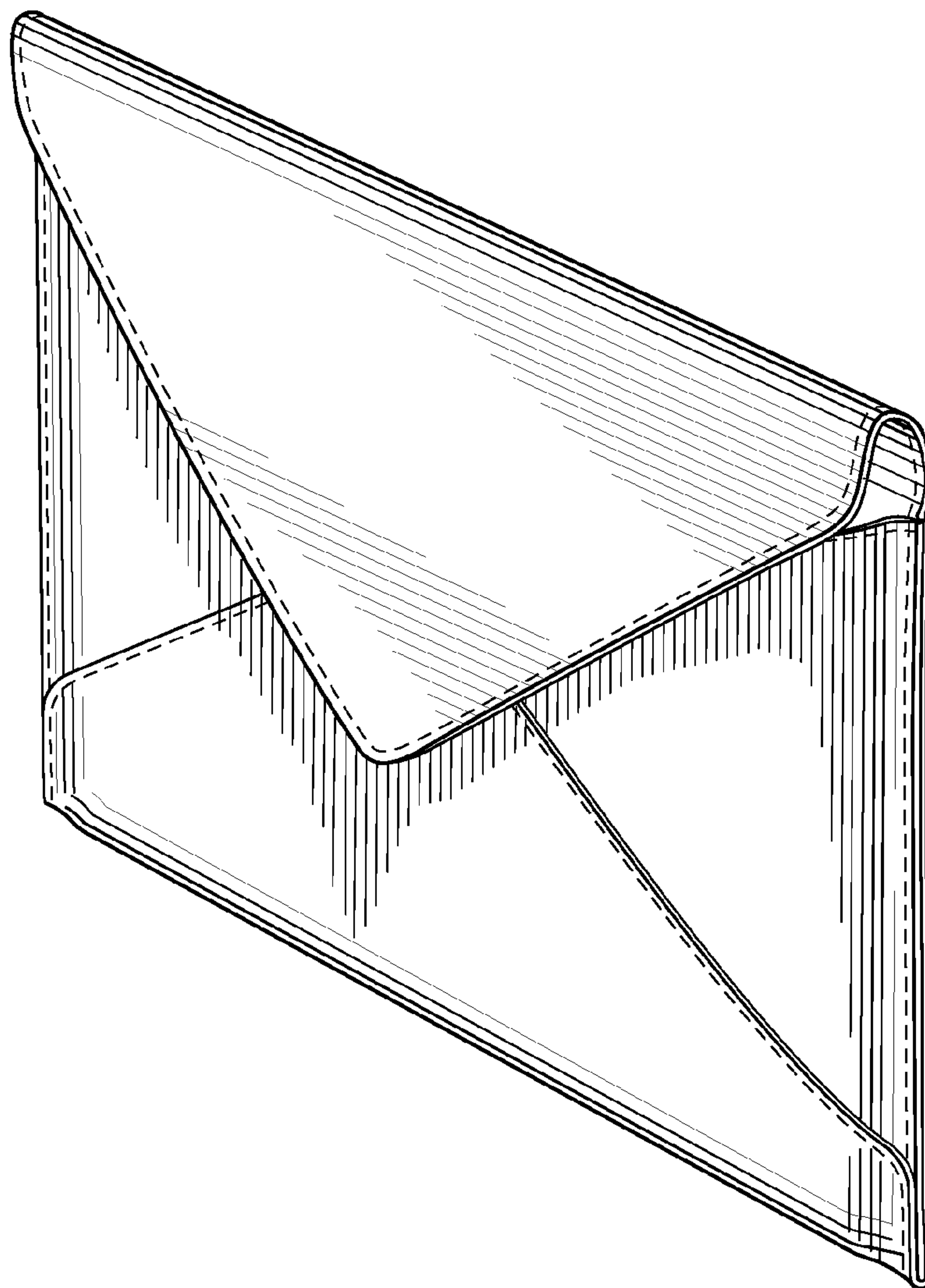


FIG.1

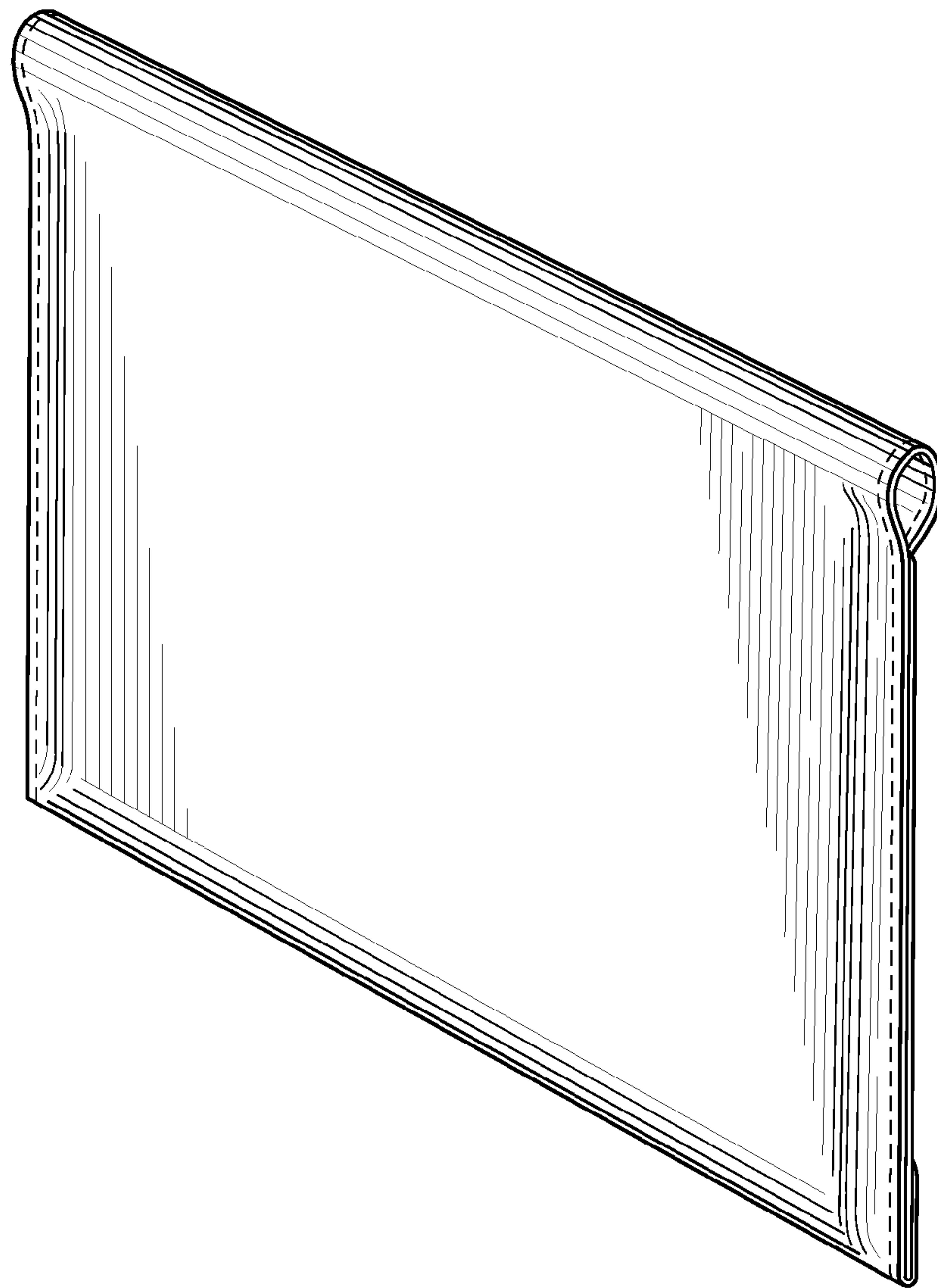


FIG.2

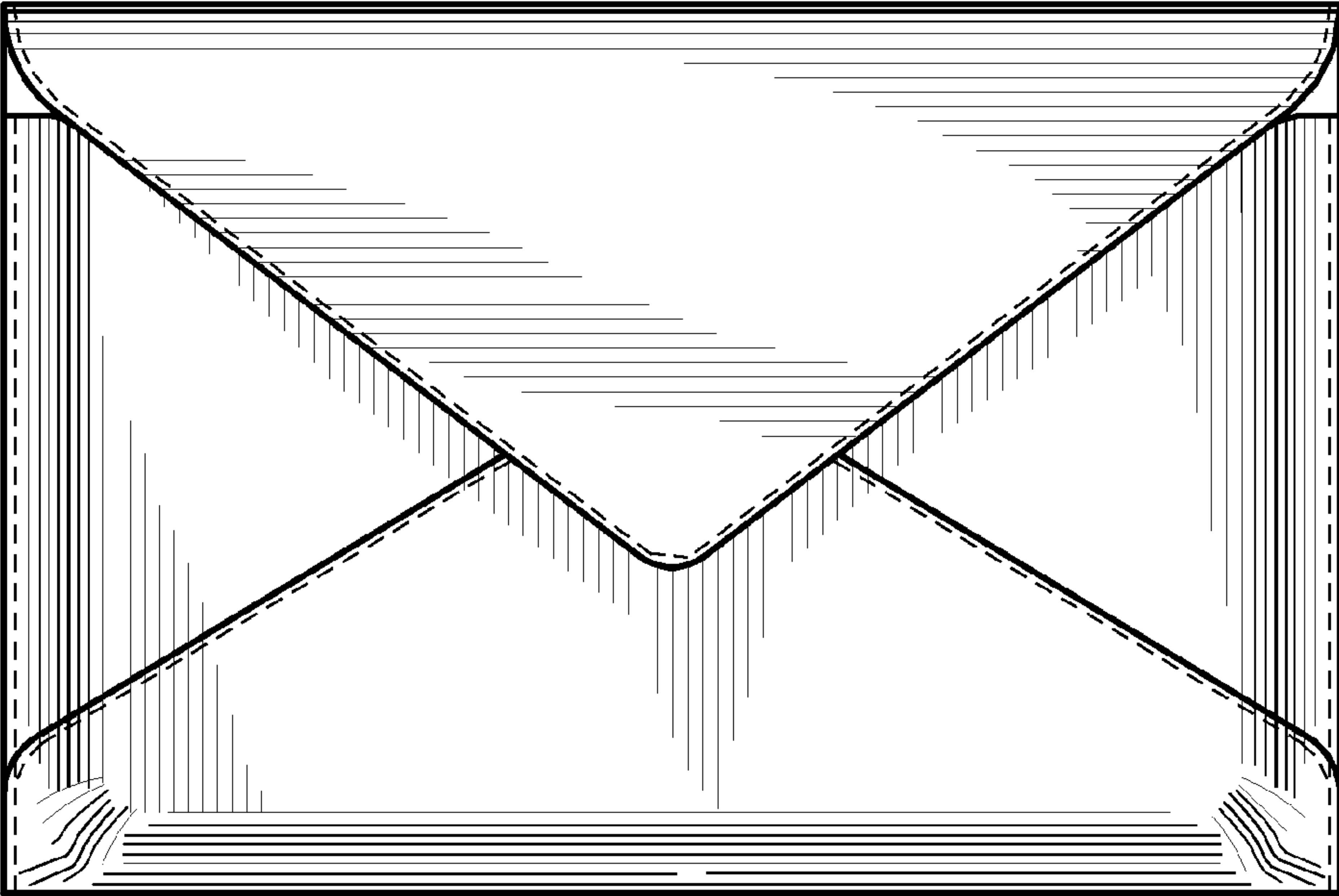


FIG.3

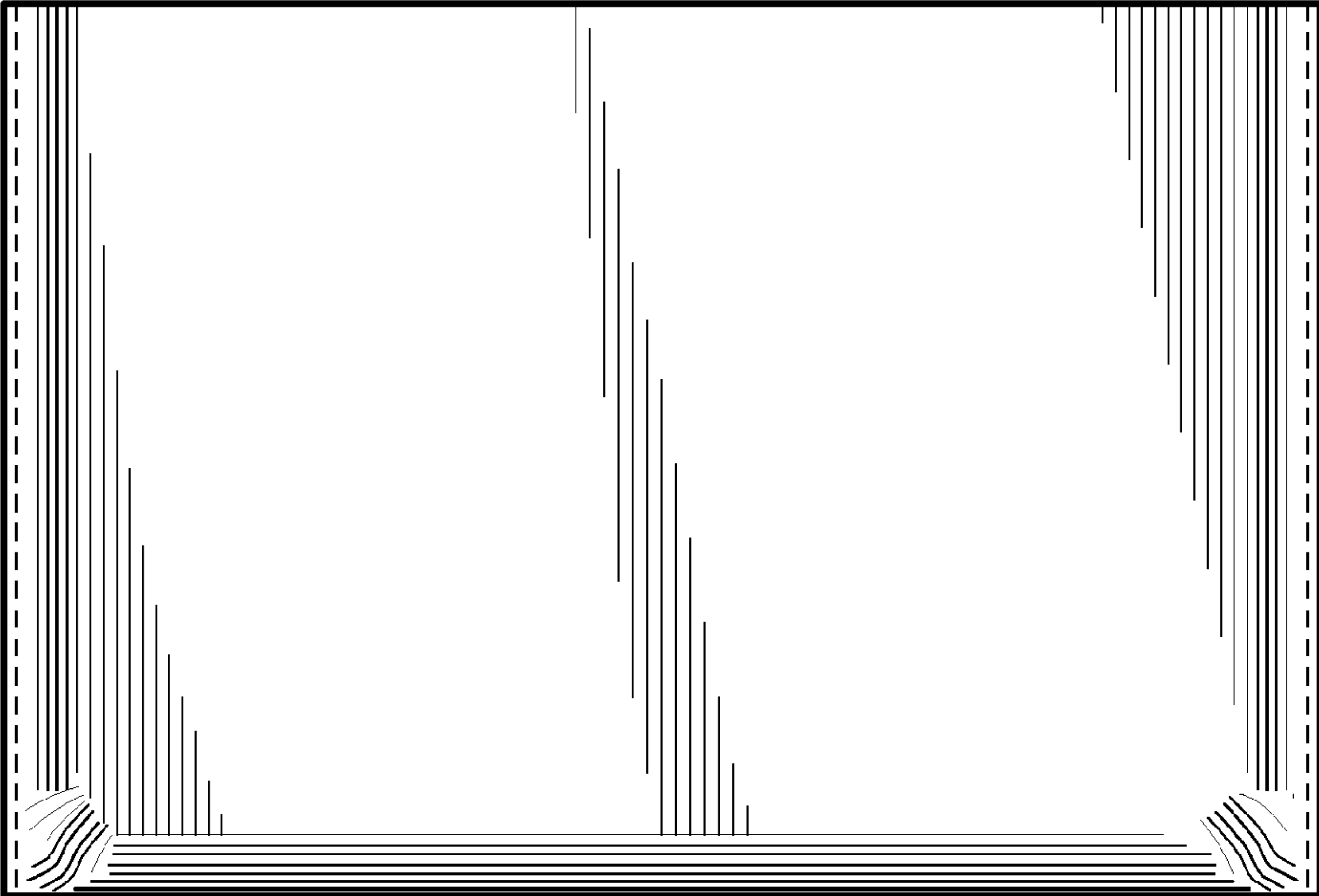


FIG.4

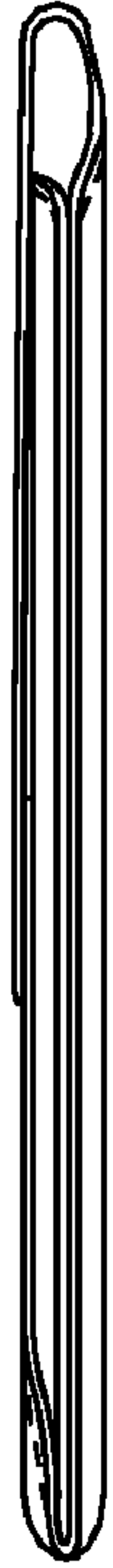


FIG. 5



FIG. 6

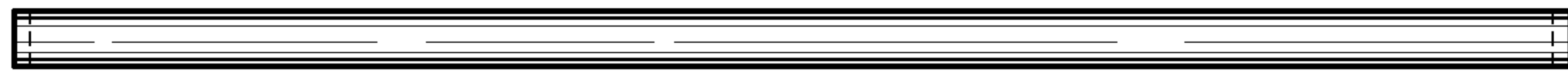


FIG. 7



FIG. 8