



US00D665997S

(12) **United States Design Patent**
Meersschaert

(10) **Patent No.:** **US D665,997 S**

(45) **Date of Patent:** **** Aug. 28, 2012**

(54) **LUGGAGE**

(75) Inventor: **Reinhard Meersschaert**, Merelbeke
(BE)

(73) Assignee: **Samsonite IP Holdings S.a.r.l.**,
Luxembourg (LU)

(**) Term: **14 Years**

(21) Appl. No.: **29/394,228**

(22) Filed: **Jun. 15, 2011**

(30) **Foreign Application Priority Data**

Dec. 22, 2010 (EM) 001252076-0001

(51) **LOC (9) Cl.** **03-01**

(52) **U.S. Cl.** **D3/279**

(58) **Field of Classification Search** D3/272,
D3/273, 274, 276, 279, 289, 297, 321; 190/1,
190/3, 6, 7, 9, 13 R, 14, 13 F, 15.1, 18 A,
190/108, 100-107, 109-114, 115-127, 903
See application file for complete search history.

(56) **References Cited**

U.S. PATENT DOCUMENTS

D474,597 S * 5/2003 Nykoluk D3/279
D479,042 S * 9/2003 Szyf et al. D3/279

D485,681 S * 1/2004 Fenton et al. D3/279
D494,364 S * 8/2004 Burgess et al. D3/279
6,936,127 B2 * 8/2005 Fenton et al. 190/125
D554,862 S * 11/2007 Hsieh D3/279
D603,163 S * 11/2009 Van Himbeek D3/279
D630,850 S * 1/2011 Gifford D3/279
D639,555 S * 6/2011 Moon D3/279
D644,434 S * 9/2011 Miles et al. D3/279
D644,436 S * 9/2011 Buller D3/279
D644,838 S * 9/2011 Tong D3/279
2008/0223678 A1 * 9/2008 Godshaw et al. 190/124

* cited by examiner

Primary Examiner — Jennifer Rivard

(74) *Attorney, Agent, or Firm* — Dorsey & Whitney LLP

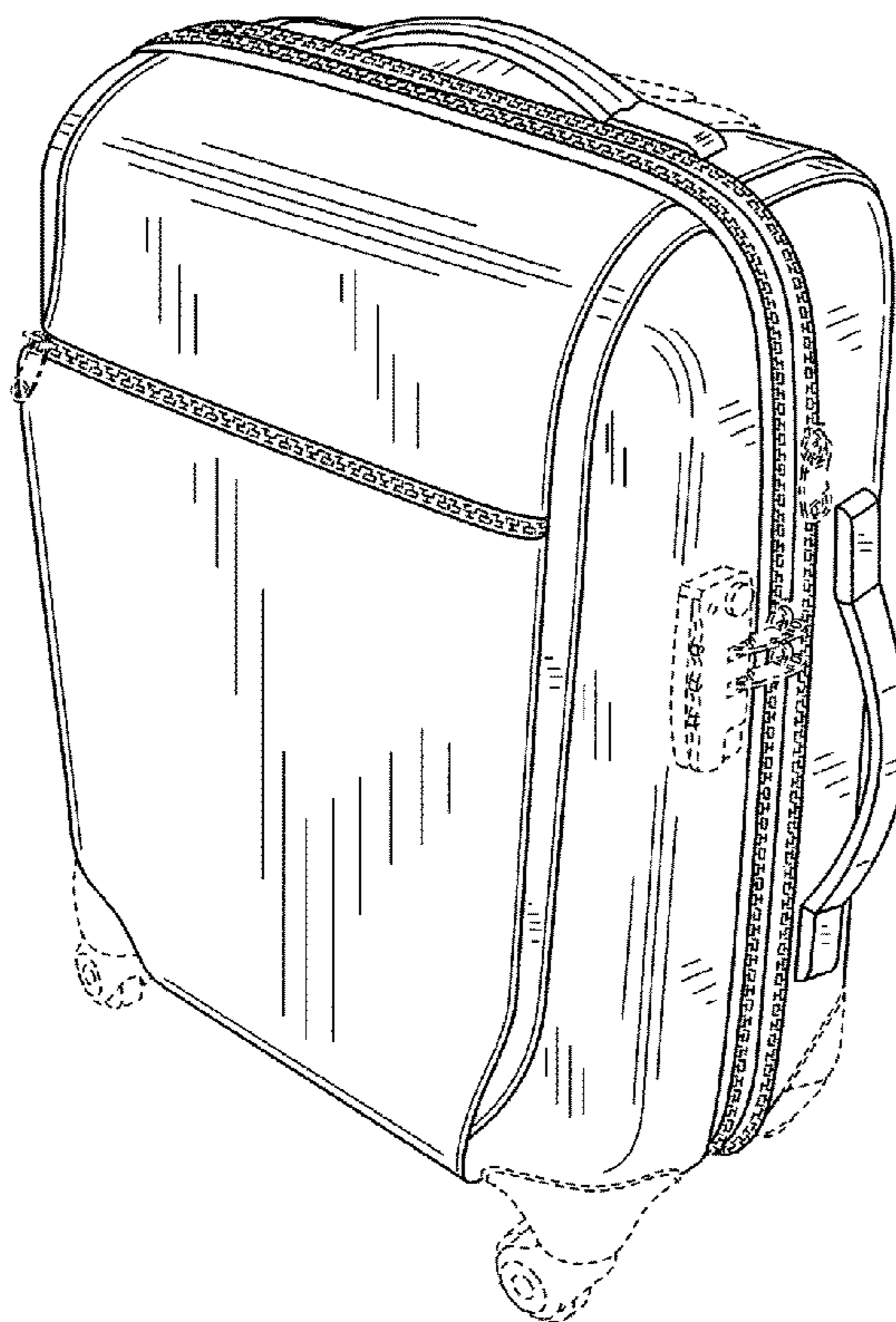
(57) **CLAIM**

The ornamental design for luggage, as shown and described.

DESCRIPTION

FIG. 1 shows a front perspective view of luggage;
FIG. 2 shows a front elevation view of the luggage of FIG. 1;
FIG. 3 shows a rear elevation view of the luggage of FIG. 1;
FIG. 4 shows a left elevation view of the luggage of FIG. 1;
FIG. 5 shows a right elevation view of the luggage of FIG. 1;
FIG. 6 shows a top view of the luggage of FIG. 1; and,
FIG. 7 shows a bottom view of the luggage of FIG. 1.
The dashed lines in FIGS. 1-7 show the environment and
boundaries of the luggage and form no part of the claimed
invention.

1 Claim, 6 Drawing Sheets



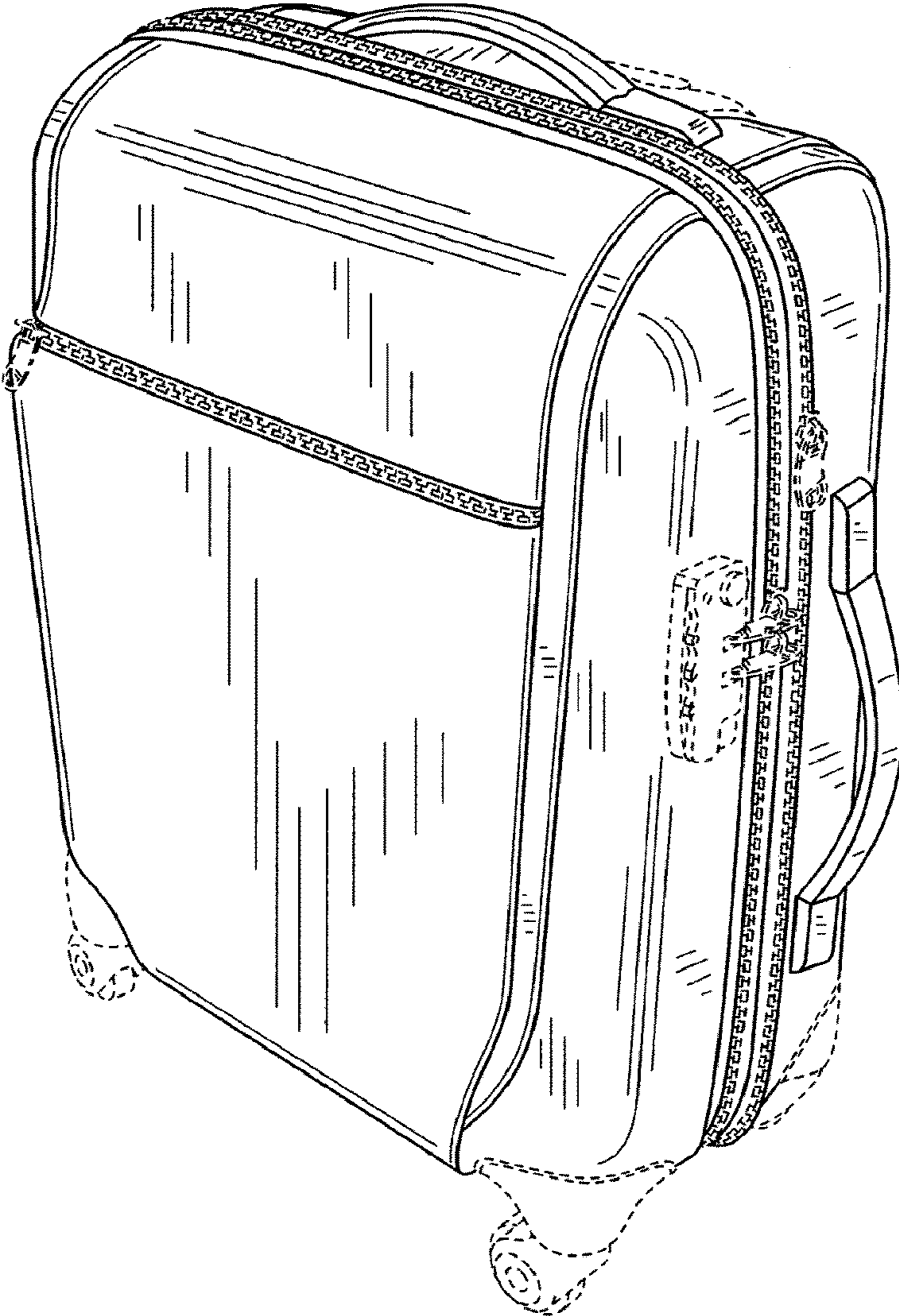


FIG.1

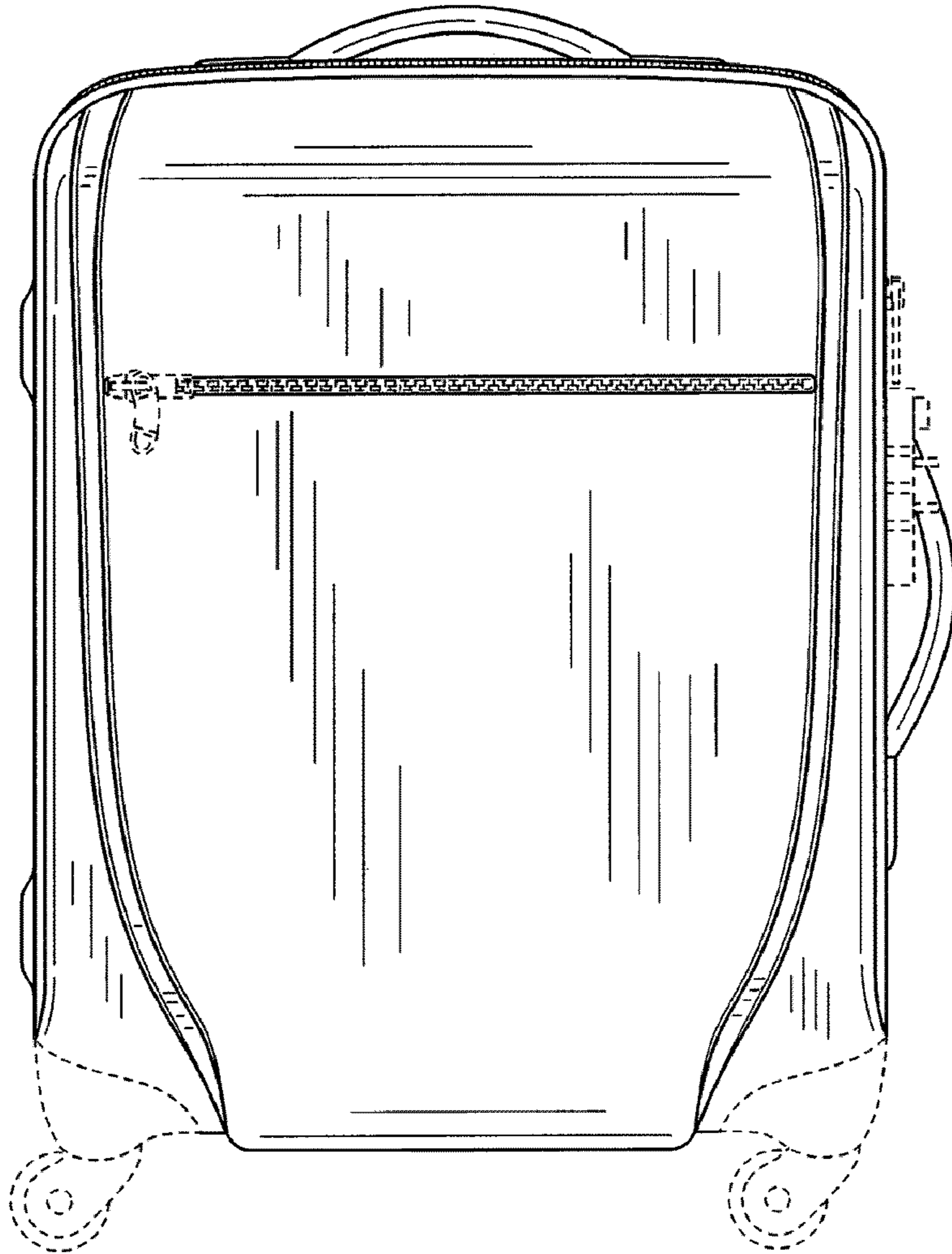


FIG.2

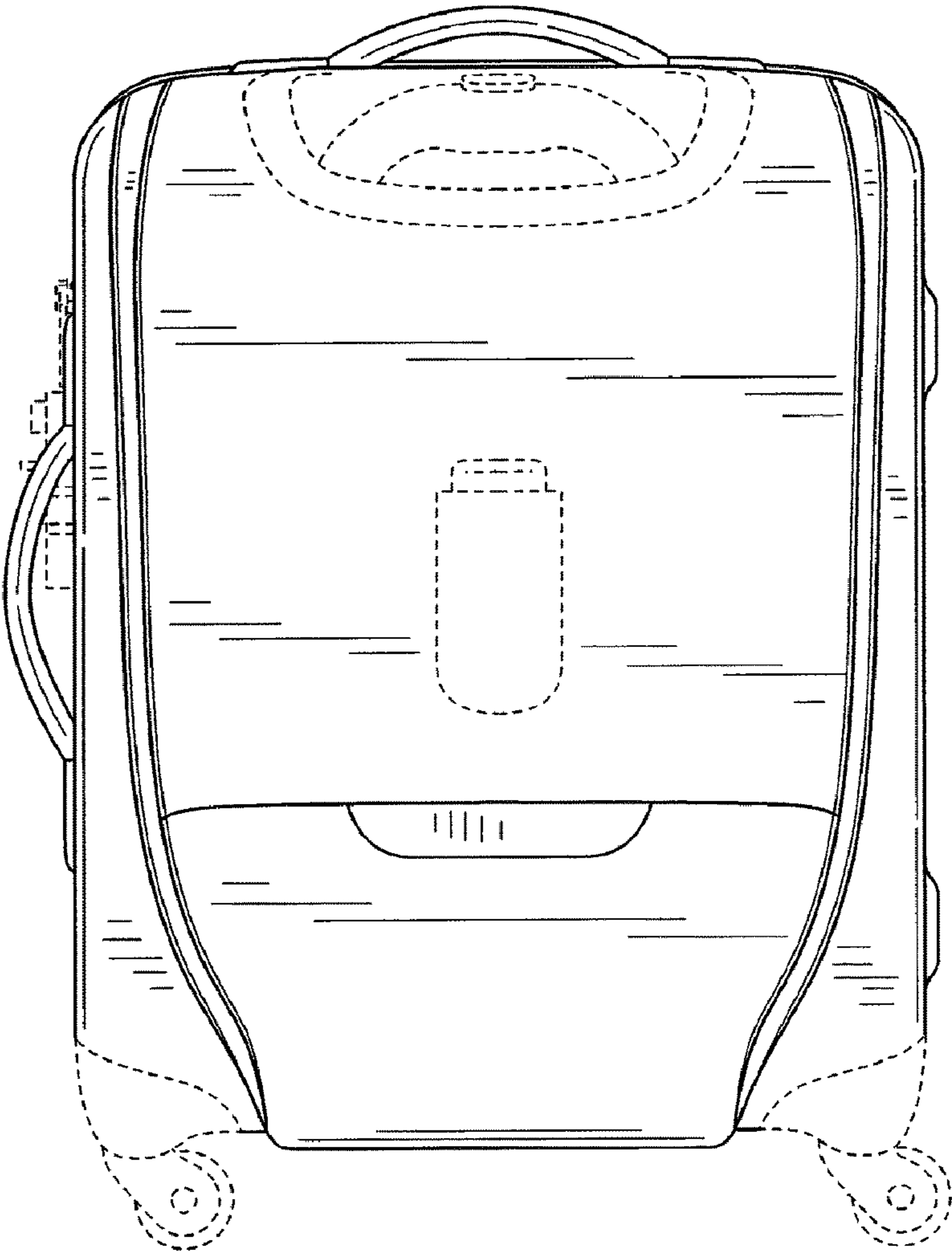


FIG.3

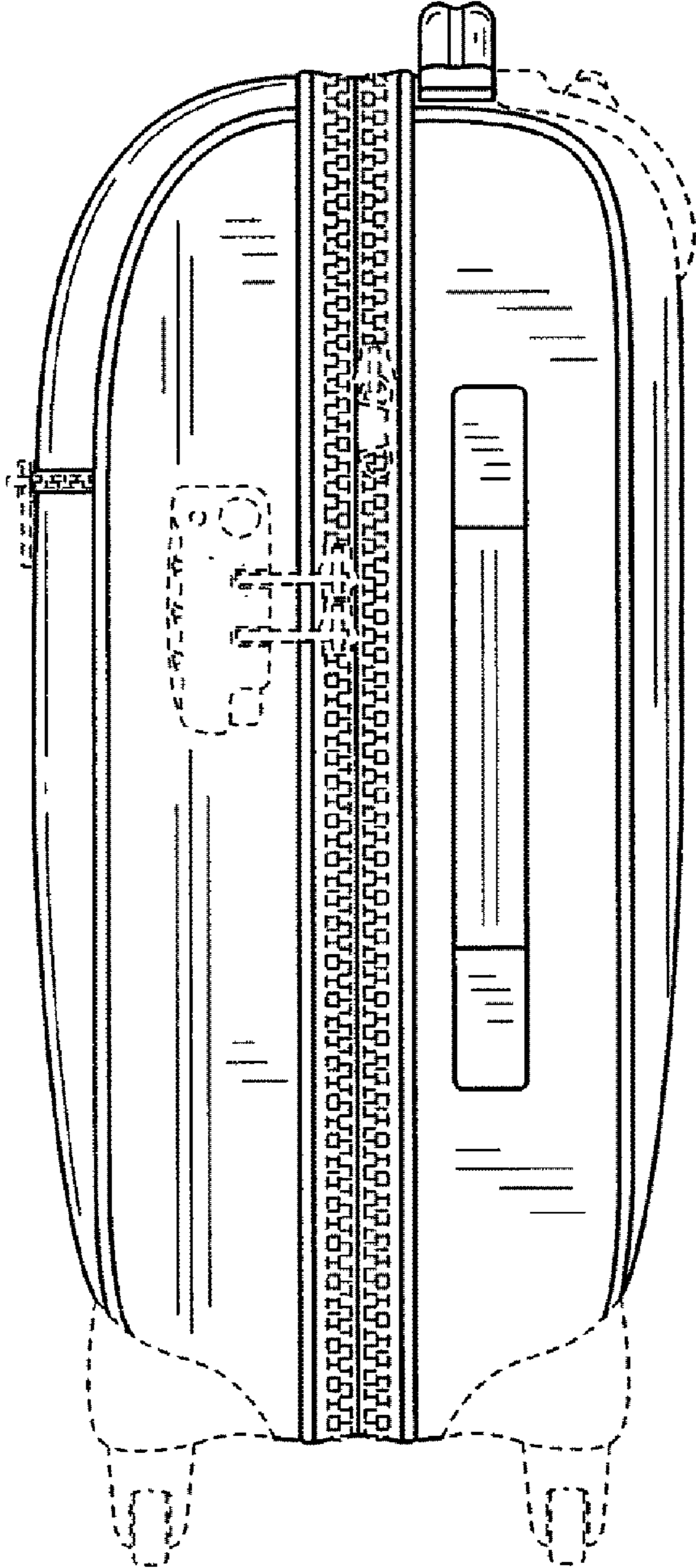


FIG.4

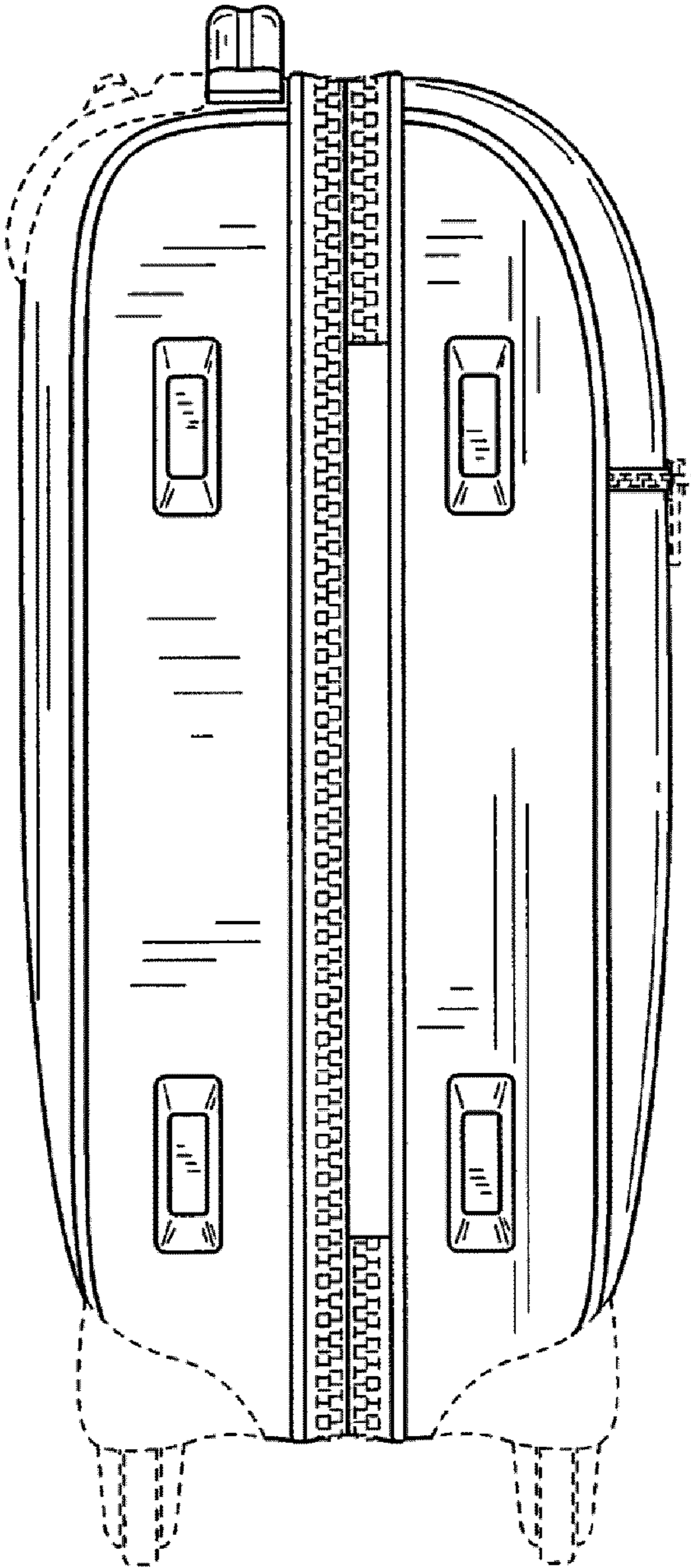


FIG.5

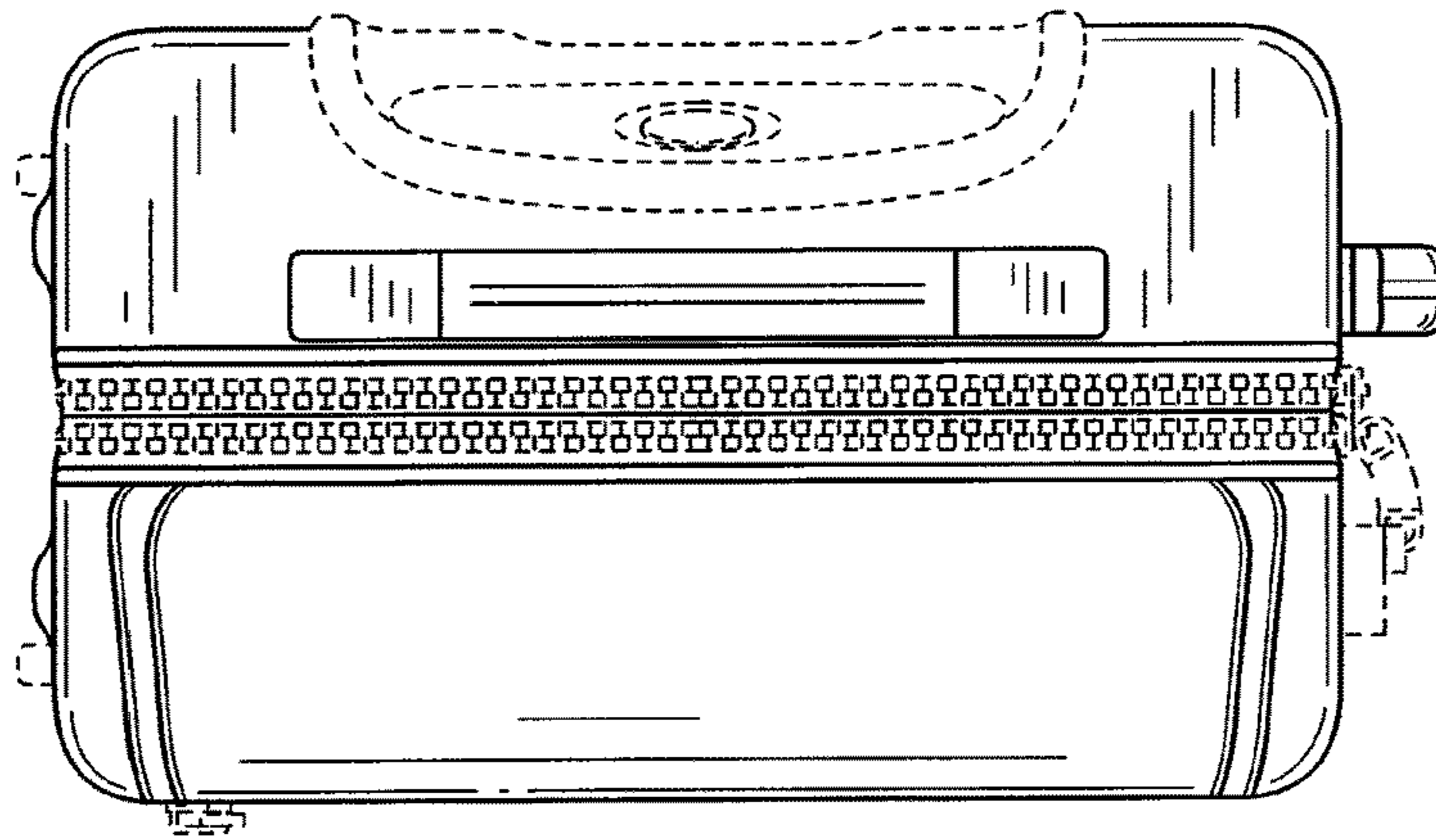


FIG. 6

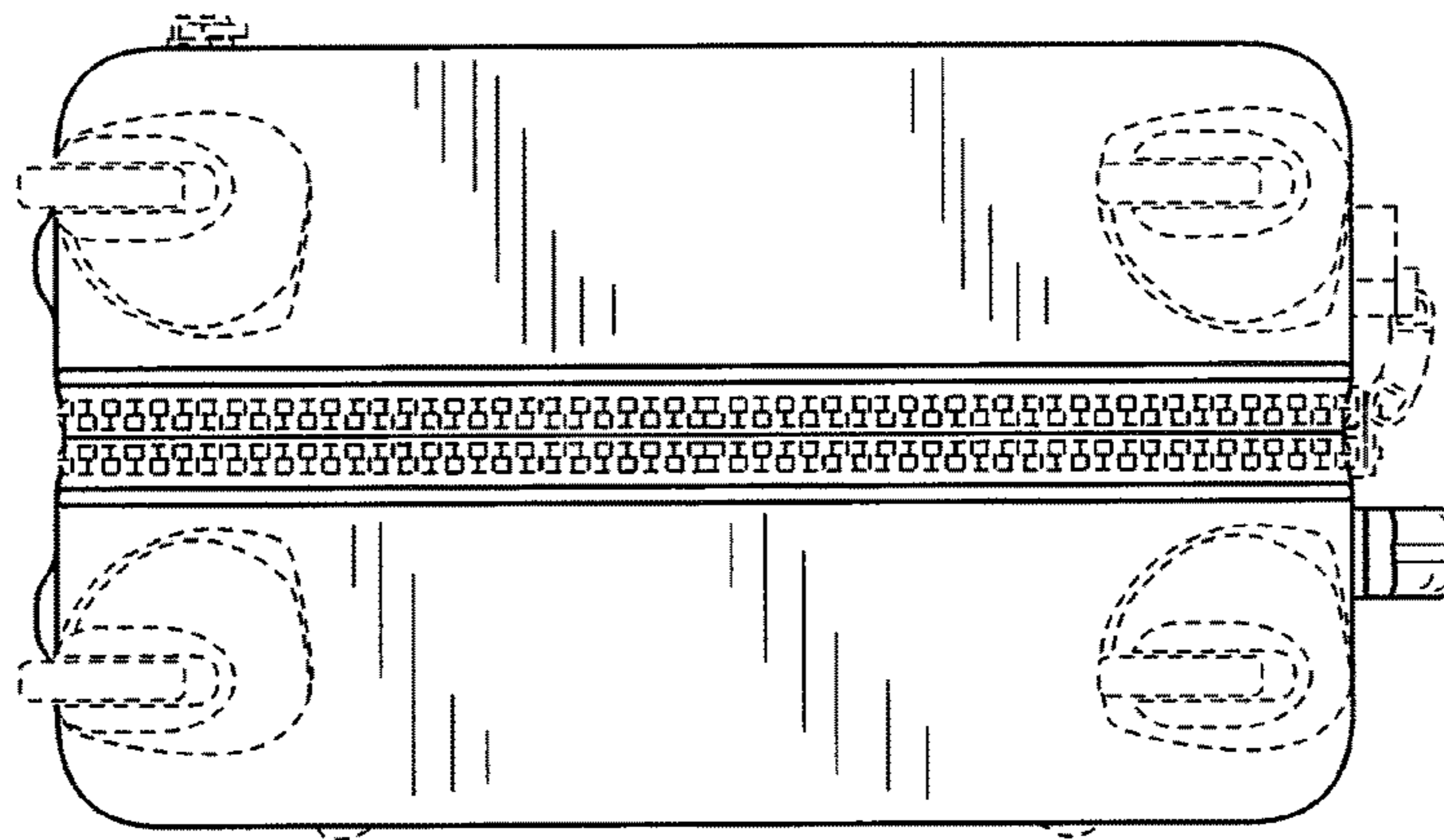


FIG. 7