

US00D665996S

(12) **United States Design Patent**
Holbrook

(10) **Patent No.:** **US D665,996 S**

(45) **Date of Patent:** **** Aug. 28, 2012**

(54) **COMPUTER CASE**

(76) Inventor: **Lori Holbrook**, Saint Peters, MO (US)

(**) Term: **14 Years**

(21) Appl. No.: **29/393,849**

(22) Filed: **Jun. 9, 2011**

(51) **LOC (9) Cl.** **03-01**

(52) **U.S. Cl.** **D3/276; D3/218**

(58) **Field of Classification Search** D3/273,
D3/276, 280, 283-293, 301, 300, 294, 201,
D3/218; 190/100-127, 900-903, 1, 11; 150/106,
150/107, 108, 110, 111, 112, 118, 165; 206/320,
206/305; 383/4

See application file for complete search history.

(56) **References Cited**

U.S. PATENT DOCUMENTS

D242,722 S	12/1976	Bell	
D260,324 S *	8/1981	Koves	D3/287
D357,845 S *	5/1995	Herszenberg	D3/229
D369,025 S *	4/1996	Miller et al.	D3/299
D378,020 S	2/1997	Hatt	
D380,605 S *	7/1997	Ramos et al.	D3/218
D407,897 S	4/1999	Putek	
6,213,669 B1	4/2001	Yamamoto	
D473,373 S *	4/2003	Sledge	D3/226
D477,908 S *	8/2003	Mear et al.	D3/227
D495,874 S *	9/2004	Kamiya	D3/218
D505,786 S *	6/2005	Pueblo	D3/218

D506,612 S	6/2005	Rosa et al.	
D533,994 S	12/2006	Hussaini et al.	
D565,839 S	4/2008	Allen	
D568,042 S	5/2008	Cerullo	
D576,786 S	9/2008	Leslie et al.	
D603,162 S *	11/2009	Simonian et al.	D3/276
D619,356 S	7/2010	Hillman	
D623,638 S	9/2010	Richardson et al.	
D623,639 S	9/2010	Richardson et al.	
D626,129 S	10/2010	Lutz	
D631,650 S	2/2011	Li	
D633,504 S	3/2011	Alexander, Jr.	
2010/0212790 A1 *	8/2010	Berry et al.	150/165

* cited by examiner

Primary Examiner — Jennifer Rivard

(74) *Attorney, Agent, or Firm* — QuickPatents, Inc.; Kevin Prince

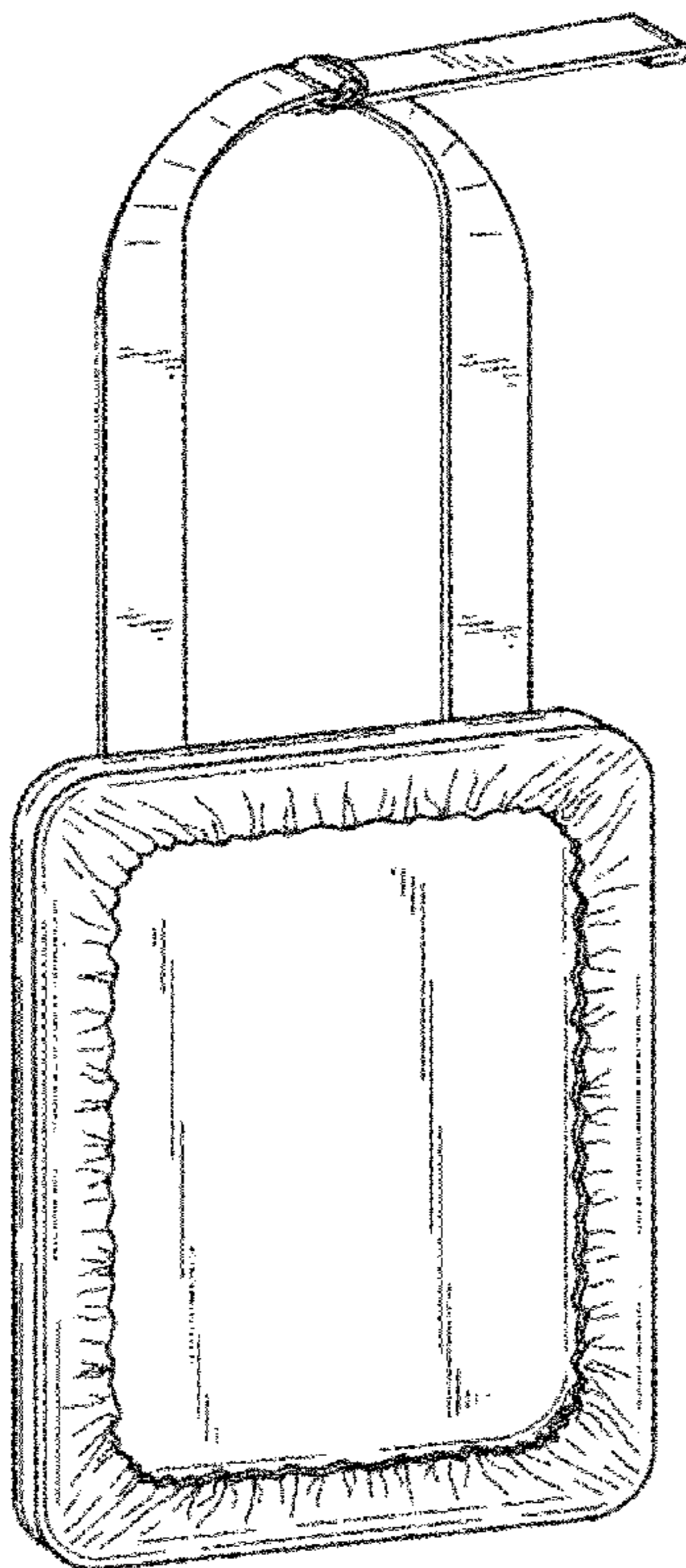
(57) **CLAIM**

I claim the ornamental design for a computer case, as shown and described.

DESCRIPTION

FIG. 1 is a perspective view of a computer case, showing my new design;
FIG. 2 is a front elevational view thereof;
FIG. 3 is a right-side elevational view thereof;
FIG. 4 is a left-side elevational view thereof;
FIG. 5 is a rear elevational view thereof;
FIG. 6 is a top plan view thereof; and,
FIG. 7 is a bottom plan view thereof.

1 Claim, 3 Drawing Sheets



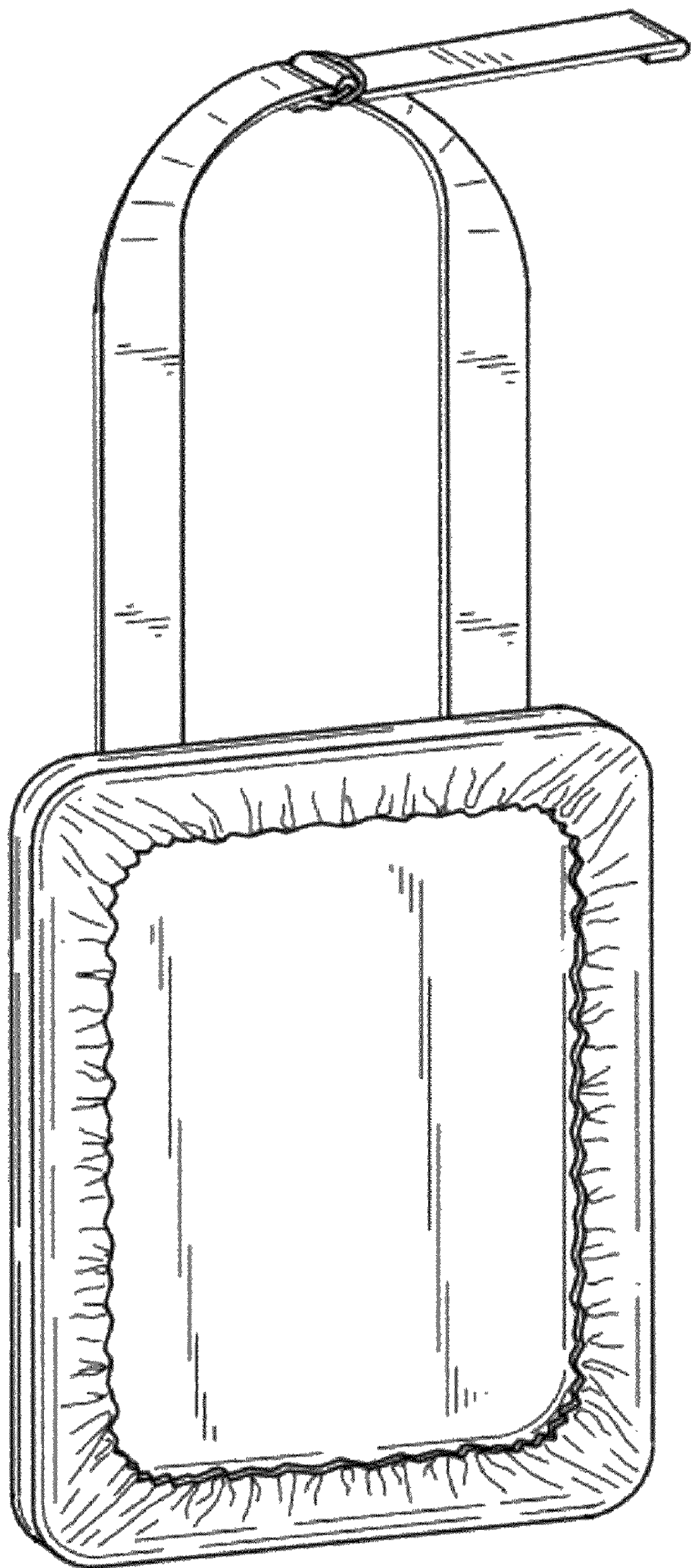


FIG. 1

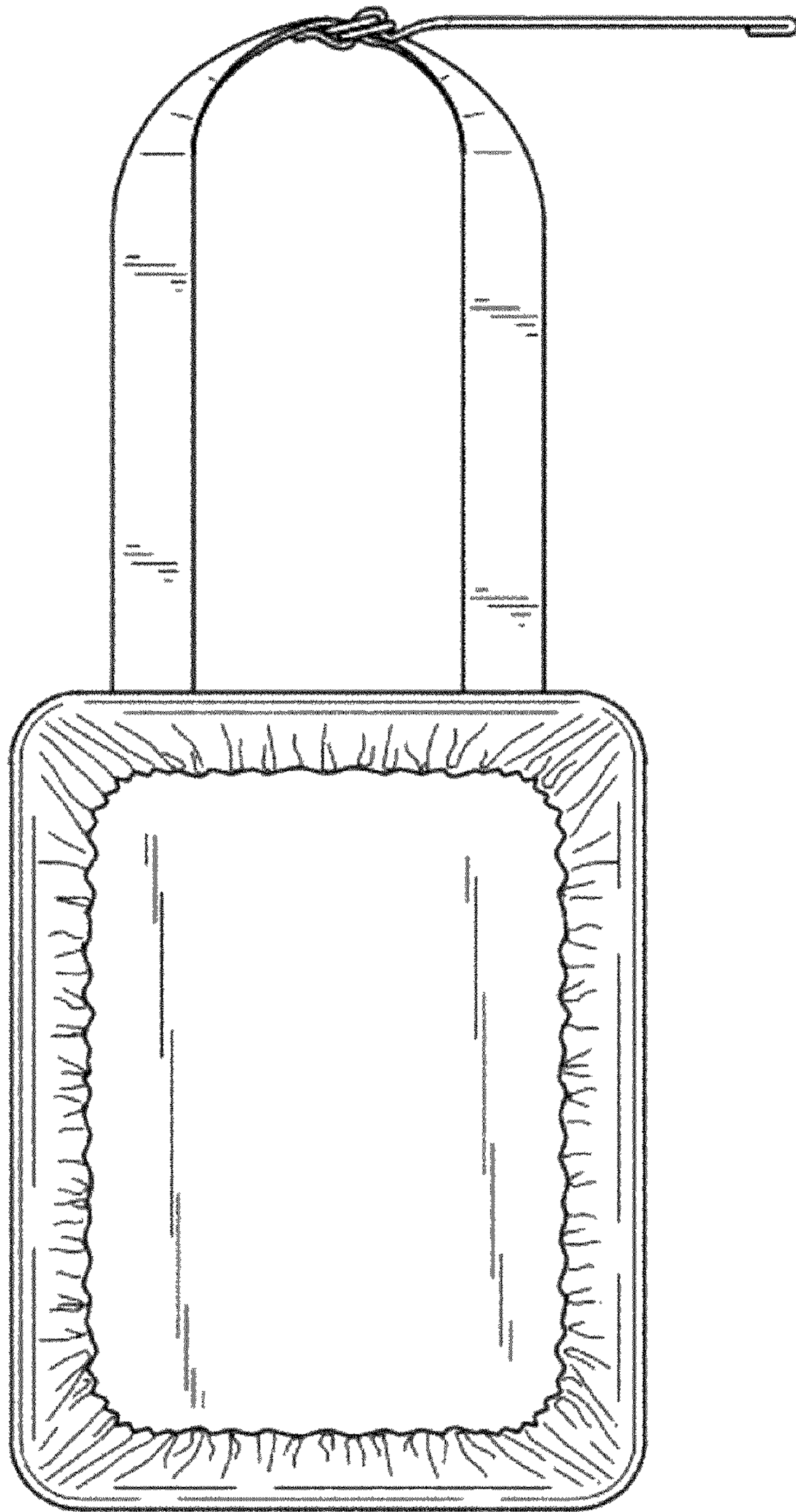


FIG. 2



FIG. 3

