



US00D665984S

(12) **United States Design Patent**  
**El et al.**

(10) **Patent No.:** **US D665,984 S**

(45) **Date of Patent:** **\*\* Aug. 28, 2012**

(54) **BASEBALL RIVET APPARATUS**

(75) Inventors: **Yusef El**, Brooklyn, NY (US); **Isaac S. Daniel**, Miramar, FL (US)

(73) Assignee: **F3M3 Companies, Inc.**, Miramar, FL (US)

(\*\*) Term: **14 Years**

(21) Appl. No.: **29/389,192**

(22) Filed: **Apr. 7, 2011**

(51) **LOC (9) Cl.** ..... **02-99**

(52) **U.S. Cl.** ..... **D2/976**

(58) **Field of Classification Search** ..... D2/946,  
D2/976; D21/725; 36/136-139; D11/30,  
D11/202; D29/24, 27, 28

See application file for complete search history.

(56) **References Cited**

**U.S. PATENT DOCUMENTS**

D81,229 S *	5/1930	Dalrymple	.....	D2/976
D103,602 S *	3/1937	Spalsbury	.....	D2/976
D143,722 S *	2/1946	Flatau	.....	D11/30
D163,425 S *	5/1951	Simpson	.....	D11/30
D225,441 S *	12/1972	Thompson	.....	D11/30
D268,014 S *	2/1983	Sears et al.	.....	D11/30
D269,956 S *	8/1983	Sears et al.	.....	D11/30
D292,442 S *	10/1987	Wadsworth	.....	D2/976
D300,125 S *	3/1989	Matwiczow	.....	D11/30
4,958,459 A *	9/1990	Davidson	.....	36/136
D325,179 S *	4/1992	Fontannaz	.....	D11/30
D398,680 S *	9/1998	Kennedy et al.	.....	D21/725
D404,770 S *	1/1999	Meade et al.	.....	D20/24
D406,177 S *	2/1999	Milroy	.....	D20/27
D426,944 S *	6/2000	Hernandez	.....	D2/946

D427,753 S *	7/2000	Hernandez	.....	D2/946
6,188,324 B1 *	2/2001	Meschkow et al.	.....	36/136
D460,857 S *	7/2002	Milroy	.....	D2/976
D545,531 S *	7/2007	Miller et al.	.....	D2/946
D548,432 S *	8/2007	Martin	.....	D2/946
D550,430 S *	9/2007	Martin, Jr.	.....	D2/946
D593,314 S *	6/2009	Stewart-White	.....	D2/976
D613,938 S *	4/2010	Alexander	.....	D2/976
D627,146 S *	11/2010	Kantor et al.	.....	D2/976

\* cited by examiner

*Primary Examiner* — Dominic Simone

(74) *Attorney, Agent, or Firm* — Carol N. Green, Esq.

(57) **CLAIM**

The ornamental design for a baseball rivet apparatus, as shown and described.

**DESCRIPTION**

FIG. 1 is a top perspective view of the baseball rivet apparatus.

FIG. 2 is a bottom perspective view of the baseball rivet apparatus.

FIG. 3 is a top plan view of the baseball rivet apparatus.

FIG. 4 is a bottom plan view of the baseball rivet apparatus.

FIG. 5 is a left side view of the baseball rivet apparatus.

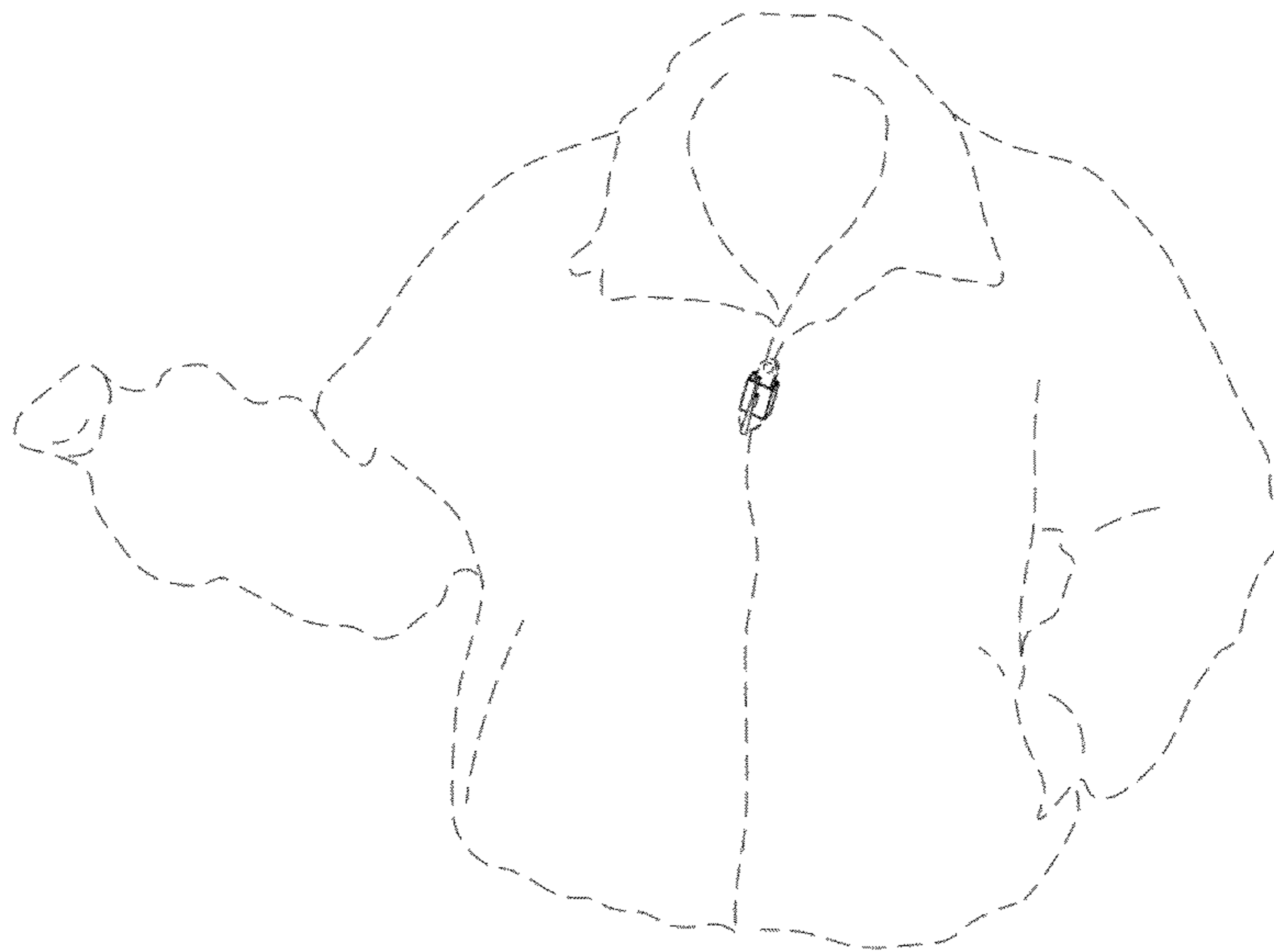
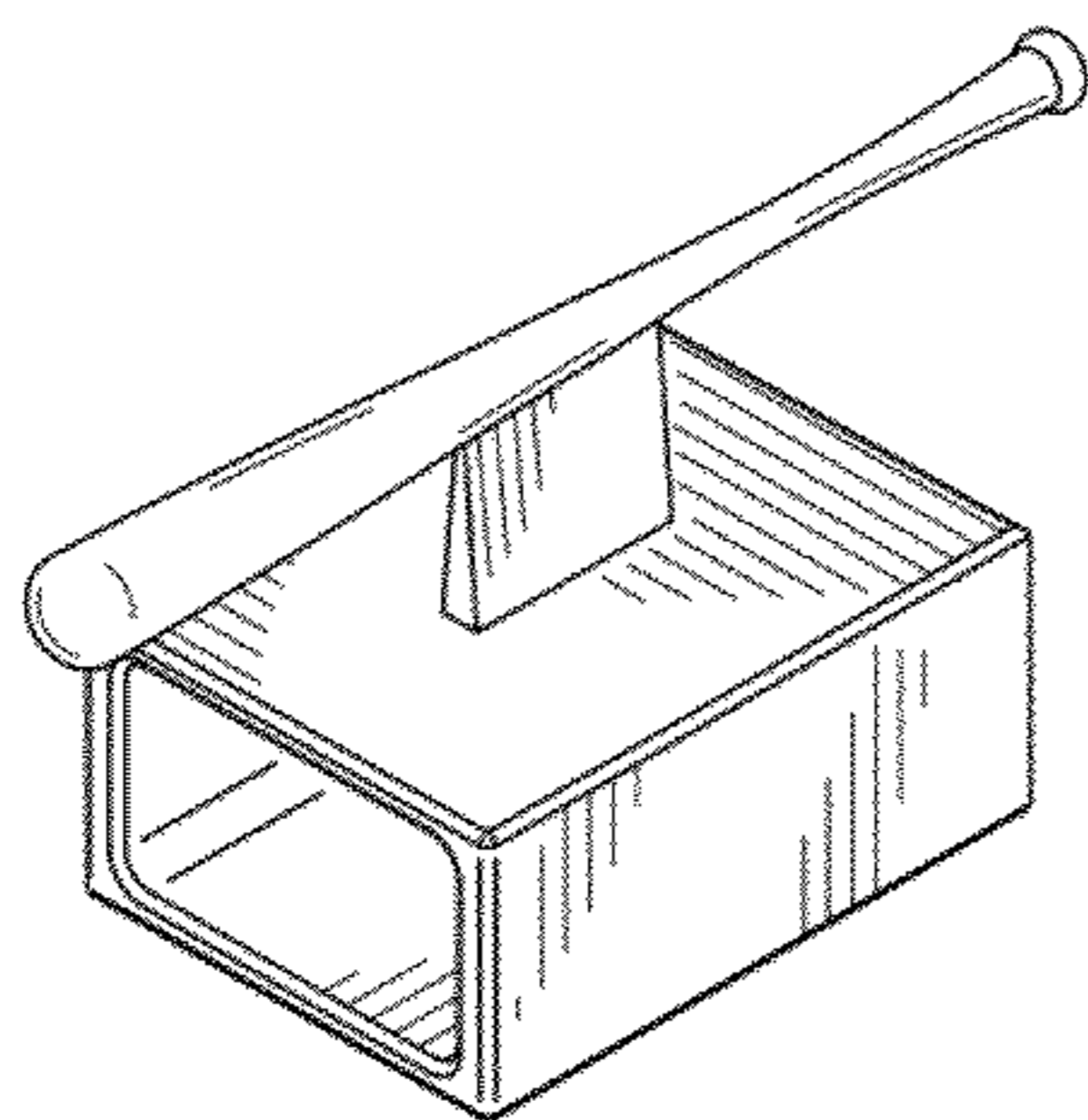
FIG. 6 is a right side view of the baseball rivet apparatus.

FIG. 7 is a front view of the baseball rivet apparatus; and,

FIG. 8 is a front view of the baseball rivet apparatus as attached to a jacket.

The broken lines in FIG. 8 showing the jacket are included for purposes of illustrating environment and form no part of the claimed design.

**1 Claim, 5 Drawing Sheets**



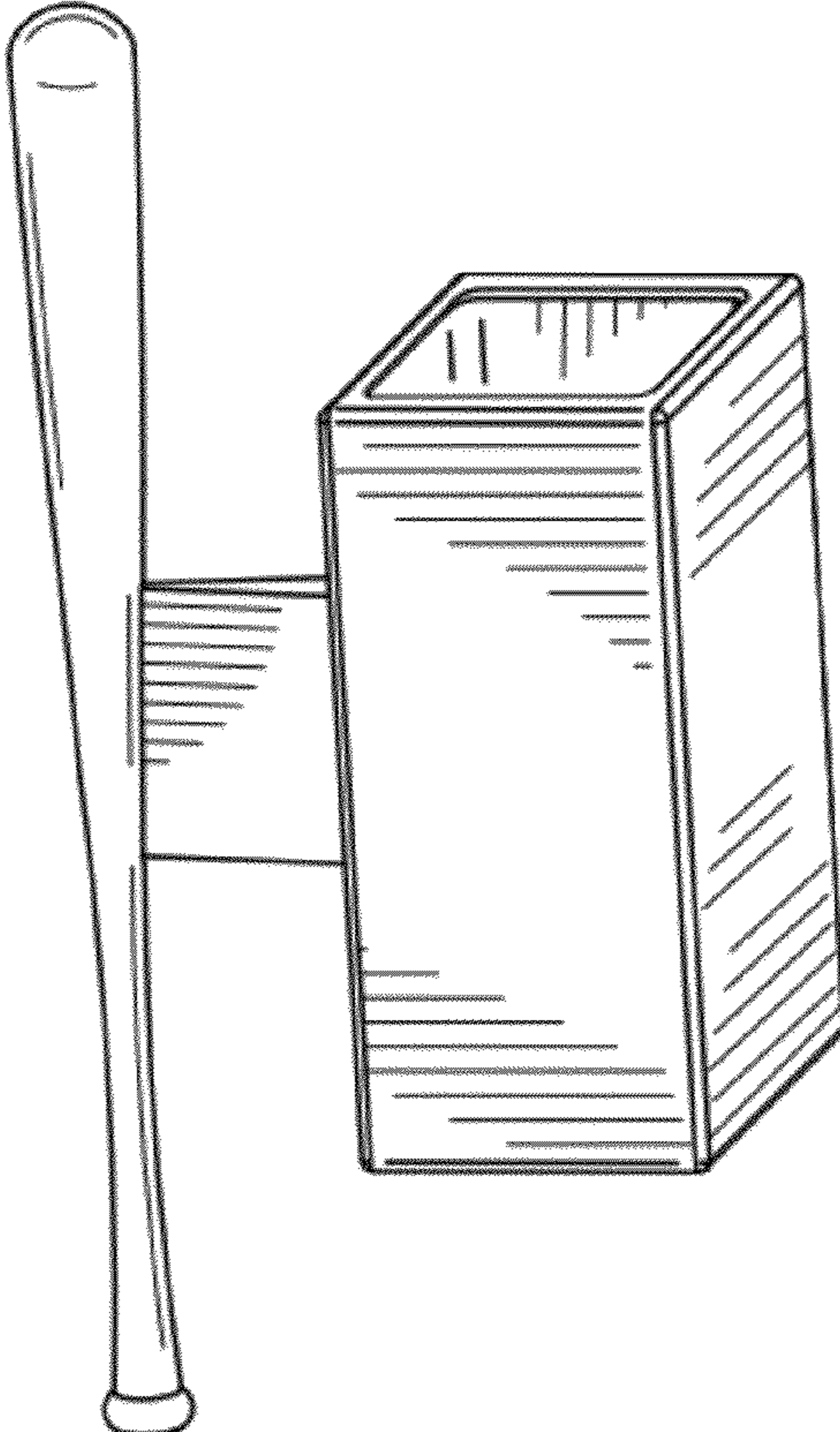


FIG. 2

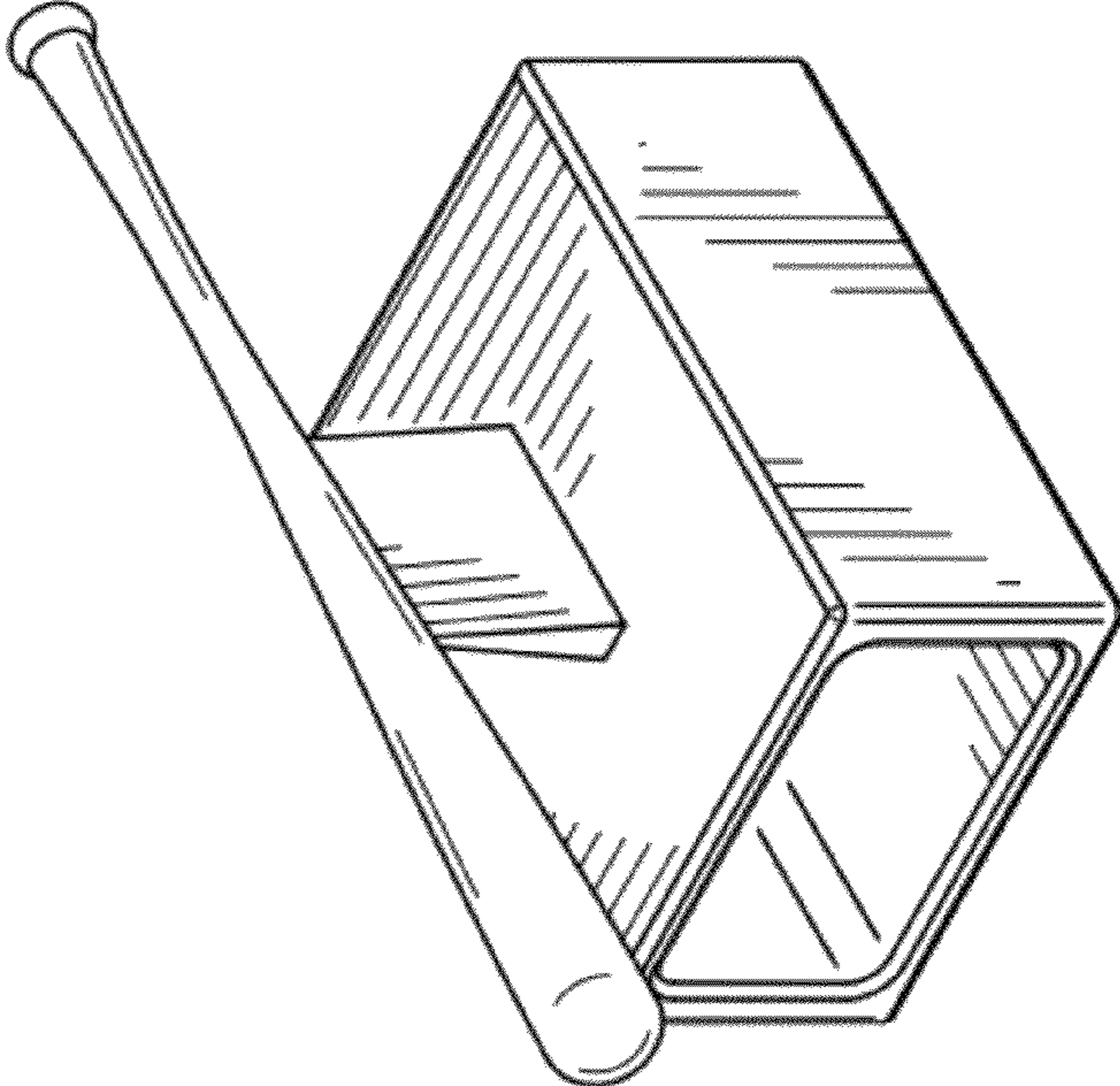


FIG. 1

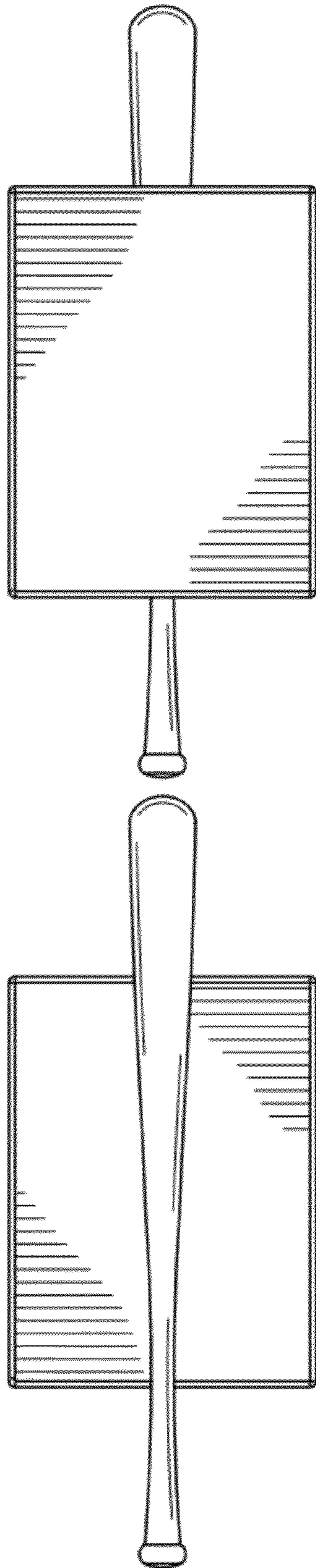


FIG. 4

FIG. 3

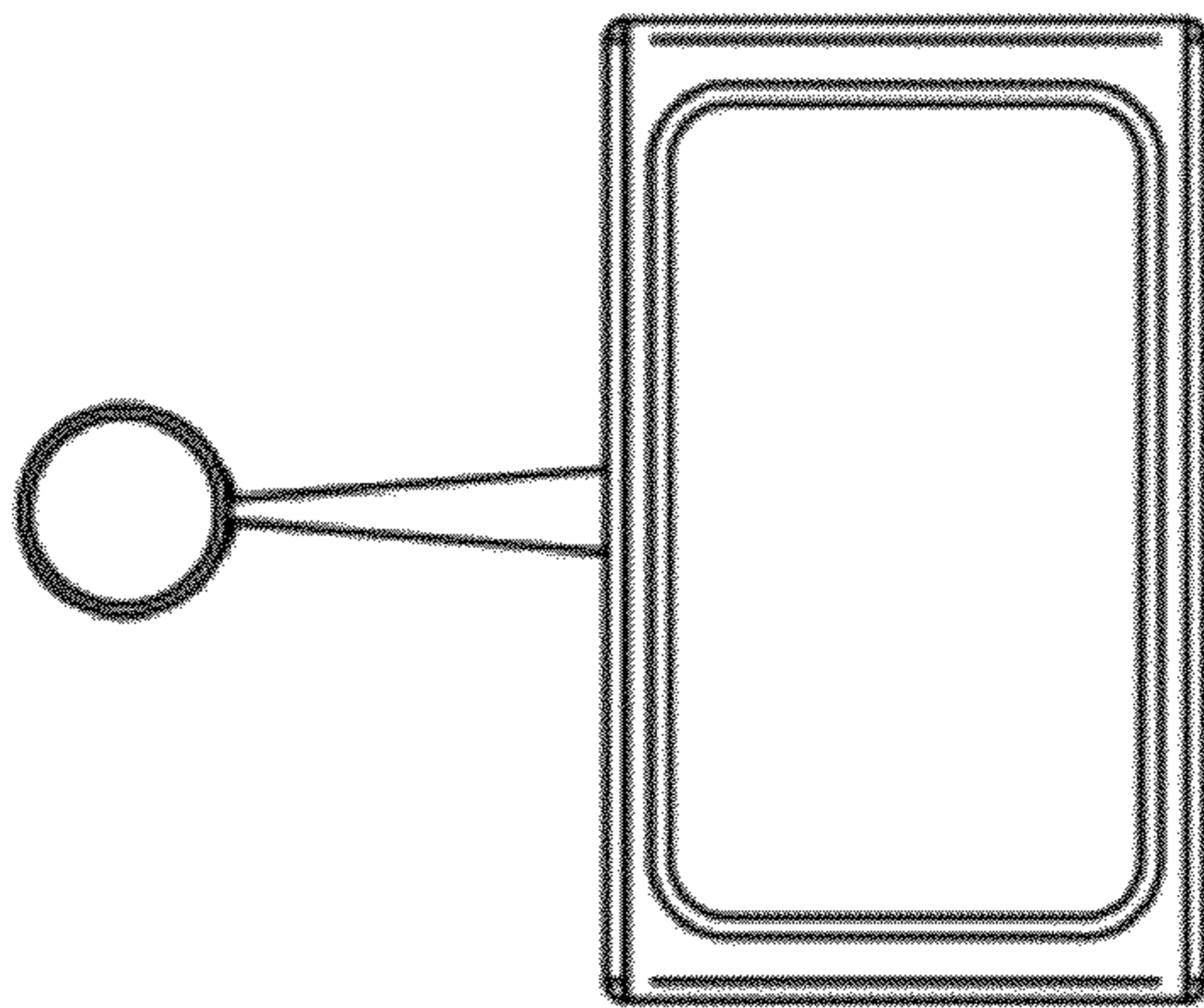


FIG. 6

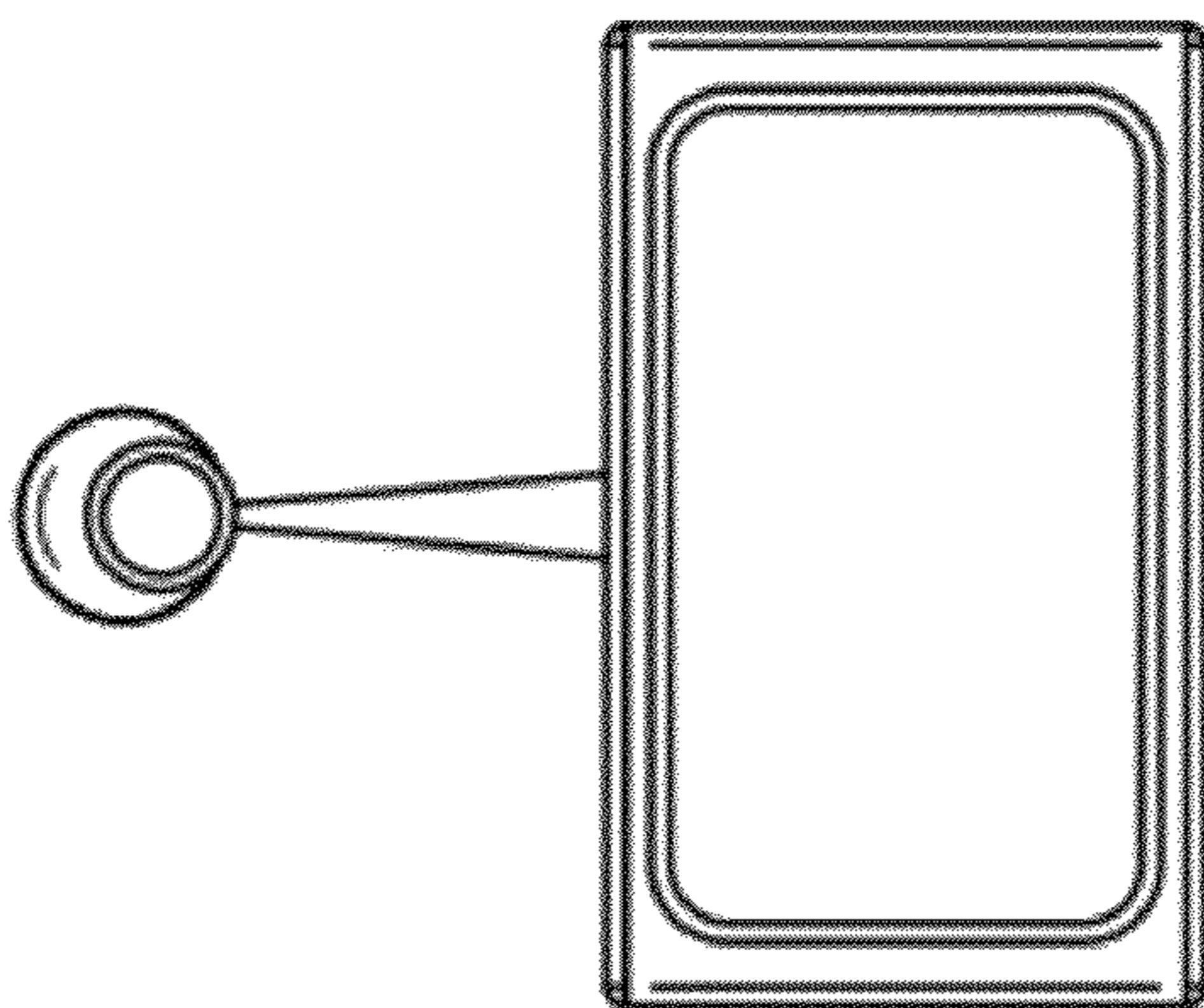


FIG. 5

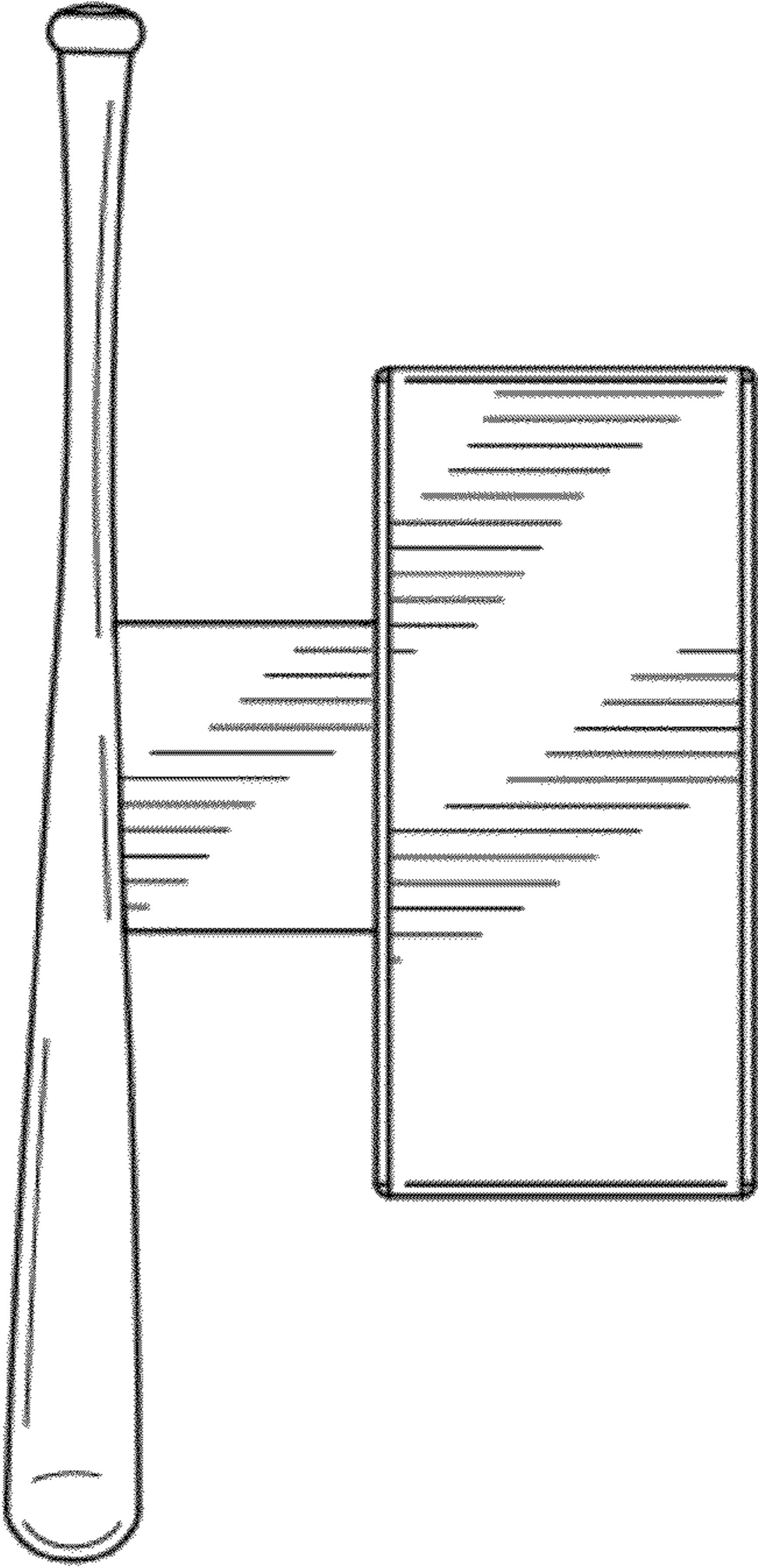


FIG. 7

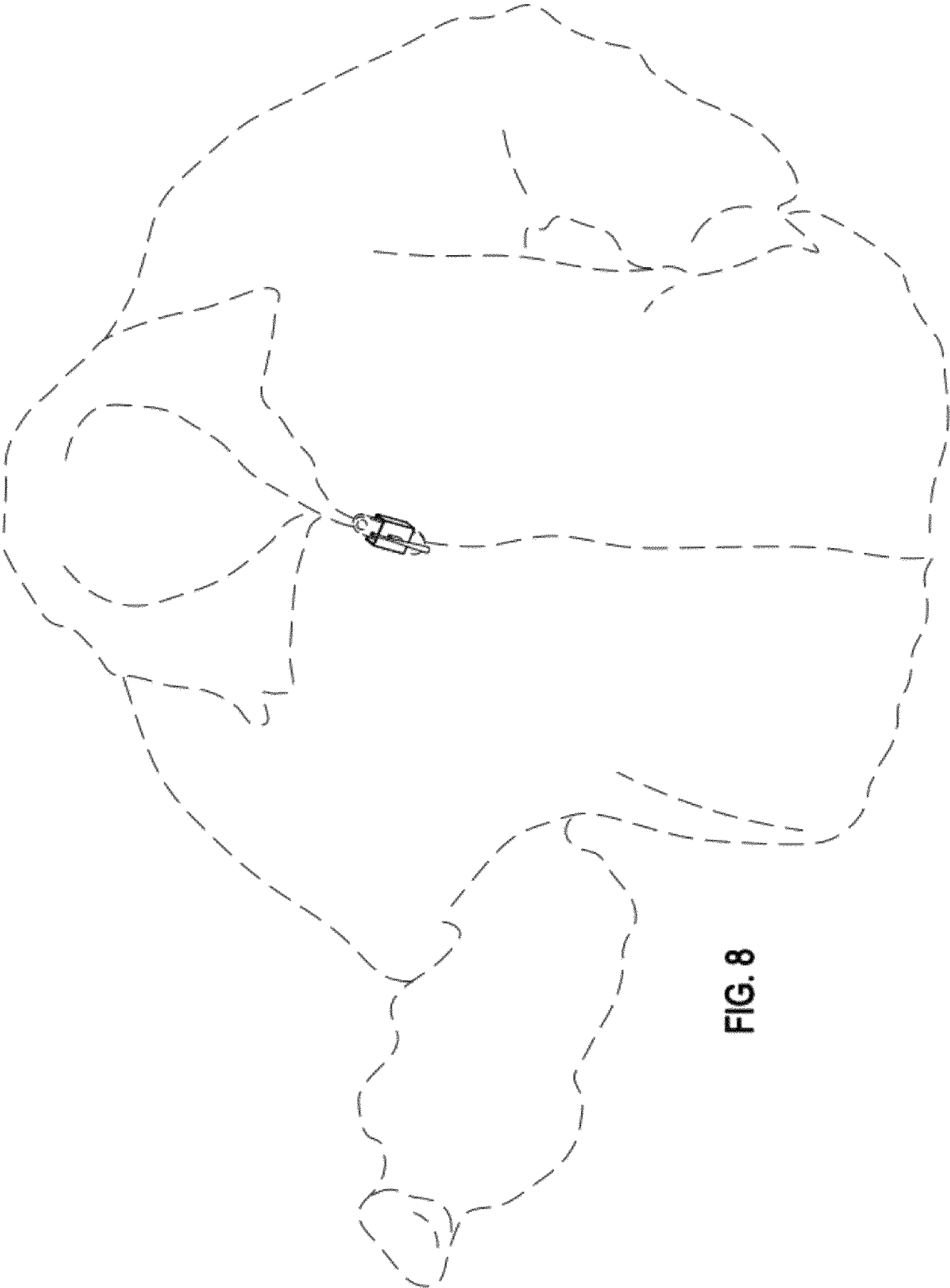


FIG. 8