



US00D665983S

(12) **United States Design Patent**
El et al.

(10) **Patent No.:** **US D665,983 S**

(45) **Date of Patent:** **** Aug. 28, 2012**

(54) **DECORATIVE FOOTBALL RIVET APPARATUS**

(75) Inventors: **Yusef El**, Brooklyn, NY (US); **Isaac S. Daniel**, Miramar, FL (US)

(73) Assignee: **F3M3 Companies, Inc.**, Miramar, FL (US)

(**) Term: **14 Years**

(21) Appl. No.: **29/389,185**

(22) Filed: **Apr. 7, 2011**

(51) **LOC (9) Cl.** **02-99**

(52) **U.S. Cl.** **D2/976**

(58) **Field of Classification Search** D2/946,
D2/976; D29/102, 24, 27, 28; 36/136-139;
D11/30, 202

See application file for complete search history.

(56) **References Cited**

U.S. PATENT DOCUMENTS

D81,229 S *	5/1930	Dalrymple	D2/976
D103,602 S *	3/1937	Spalsbury	D2/976
D143,722 S *	2/1946	Flatau	D11/30
D163,425 S *	5/1951	Simpson	D11/30
D225,441 S *	12/1972	Thompson	D11/30
D268,014 S *	2/1983	Sears et al.	D11/30
D269,956 S *	8/1983	Sears et al.	D11/30
D292,442 S *	10/1987	Wadsworth	D2/976
D300,125 S *	3/1989	Matwijcow	D11/30
4,958,459 A *	9/1990	Davidson	36/136
D325,179 S *	4/1992	Fontannaz	D11/30
D404,770 S *	1/1999	Meade et al.	D20/28
D406,177 S *	2/1999	Milroy	D20/27
D416,130 S *	11/1999	Fritsch	D2/976
D427,421 S *	7/2000	Hernandez	D2/946
6,188,324 B1 *	2/2001	Meschkow et al.	36/136

D460,857 S *	7/2002	Milroy	D2/976
D545,531 S *	7/2007	Miller et al.	D2/946
D548,432 S *	8/2007	Martin	D2/946
D550,430 S *	9/2007	Martin, Jr.	D2/946
D593,314 S *	6/2009	Stewart-White	D2/976
D613,938 S *	4/2010	Alexander	D2/976
D627,146 S *	11/2010	Kantor et al.	D2/976
D628,748 S *	12/2010	Stewart	D29/102

* cited by examiner

Primary Examiner — Dominic Simone

(74) *Attorney, Agent, or Firm* — Carol N. Green, Esq.

(57) **CLAIM**

The ornamental design for a decorative football rivet apparatus, as shown and described.

DESCRIPTION

FIG. 1 is a top perspective view of the decorative football rivet apparatus.

FIG. 2 is a bottom perspective view of the decorative football rivet apparatus.

FIG. 3 is a top plan view of the decorative football rivet apparatus.

FIG. 4 is a bottom plan view of the decorative football rivet apparatus.

FIG. 5 is a side view of the decorative football rivet apparatus b.

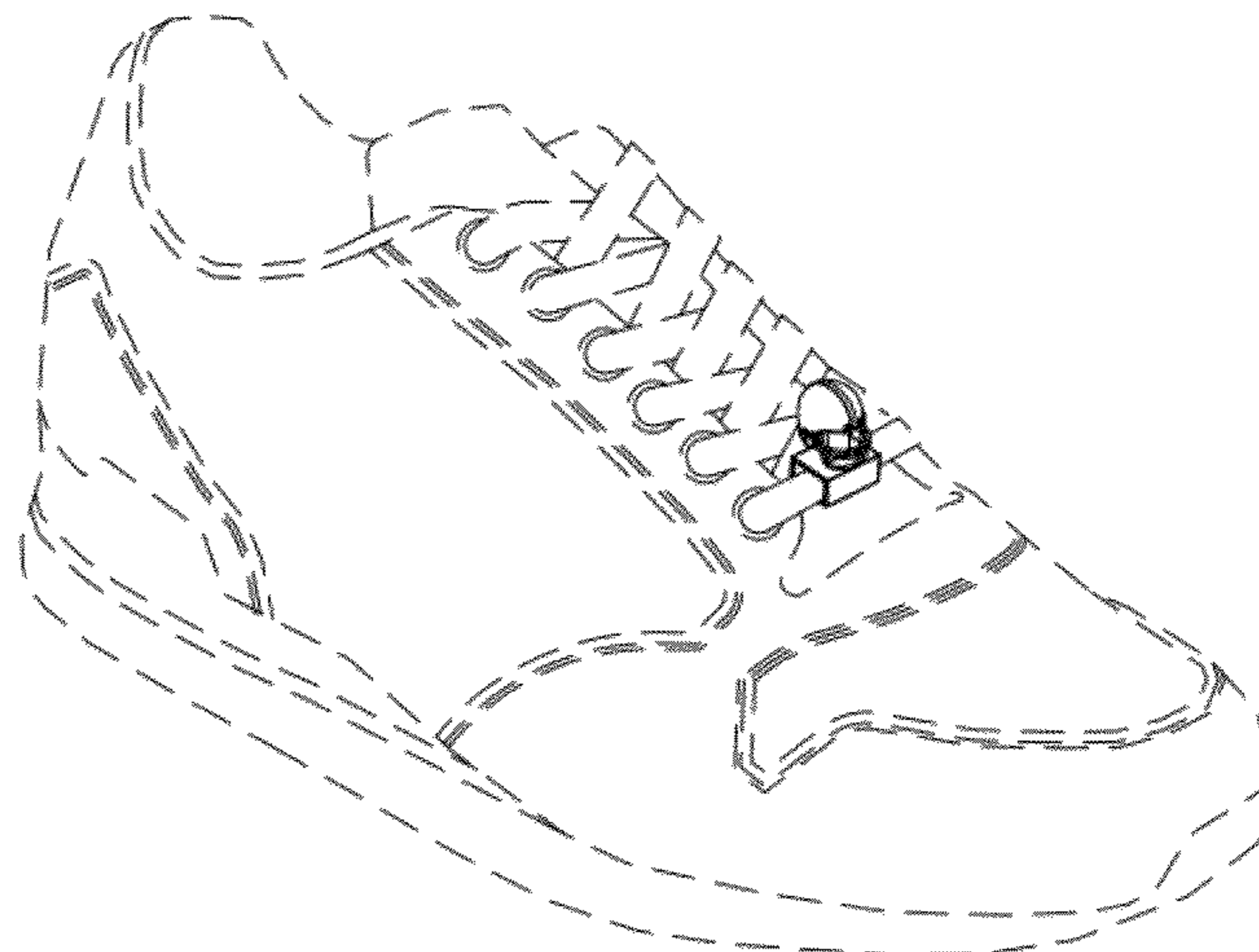
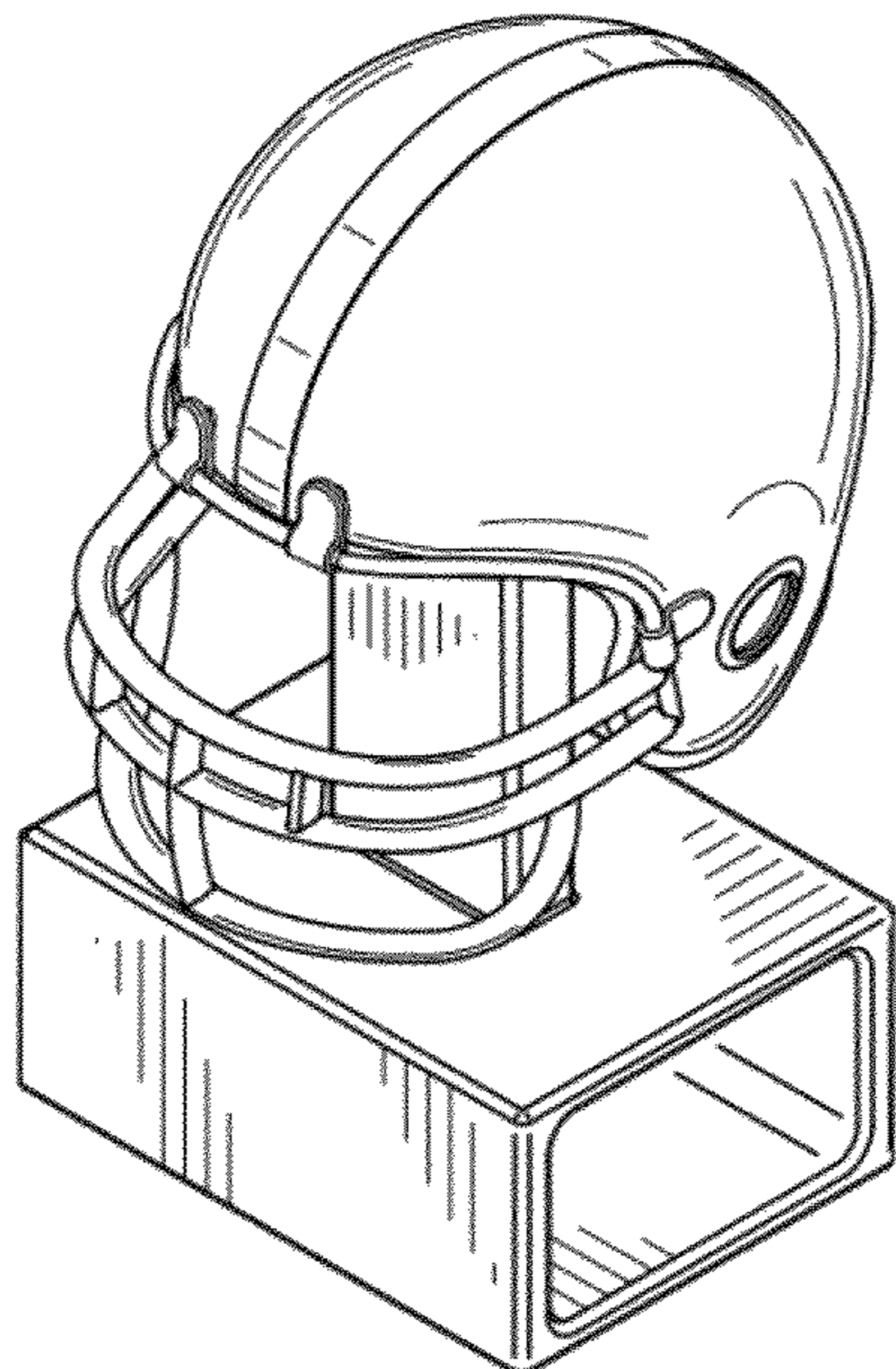
FIG. 6 is a front view of the of the decorative football rivet apparatus.

FIG. 7 is a rear view of the of the decorative football rivet apparatus; and,

FIG. 8 is a front view of the of the decorative football rivet apparatus as attached to a shoe.

The broken lines in FIG. 8 showing the shoe are included for purposes of illustrating environment and form no part of the claimed design.

1 Claim, 5 Drawing Sheets



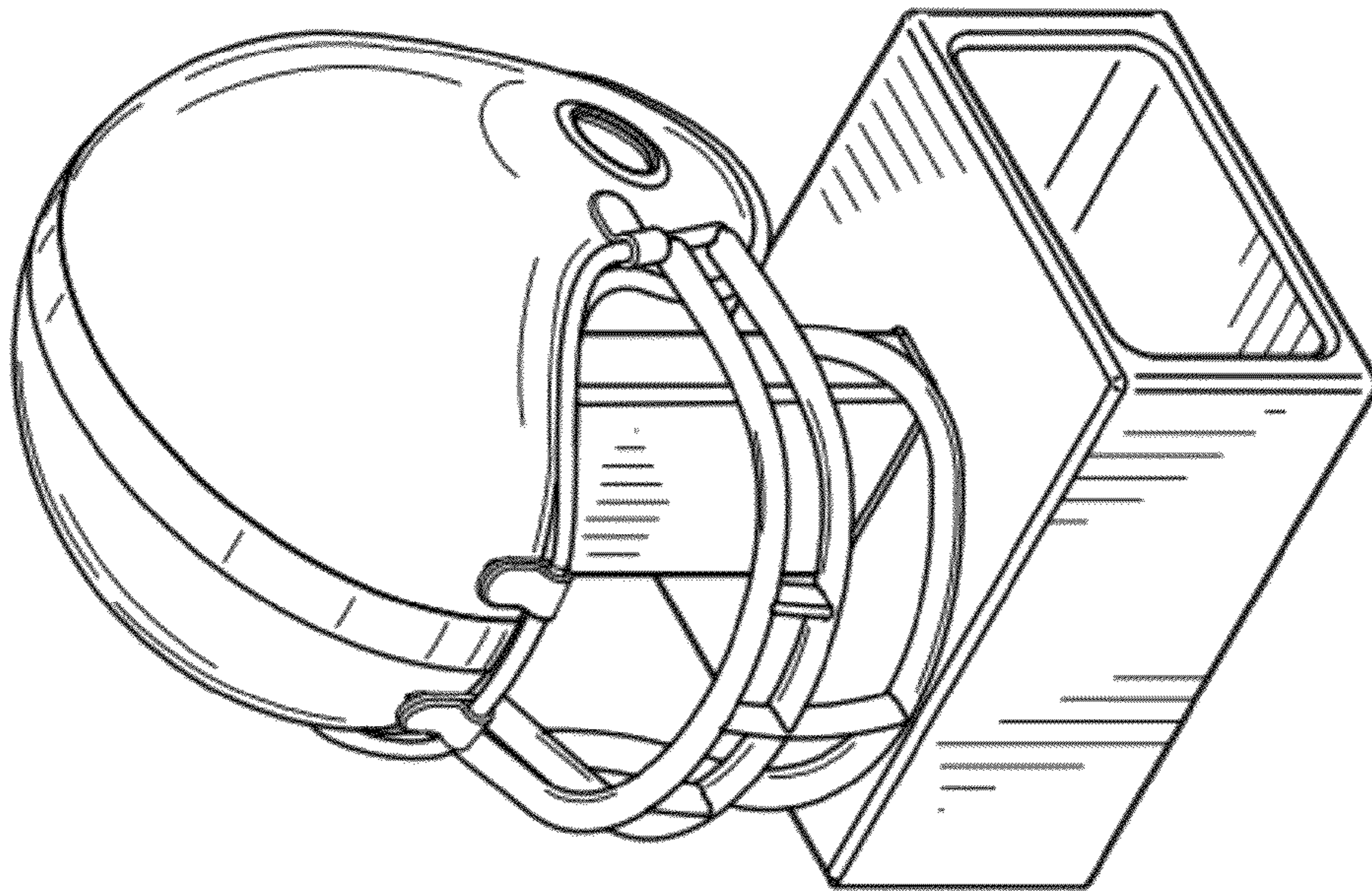


FIG. 1

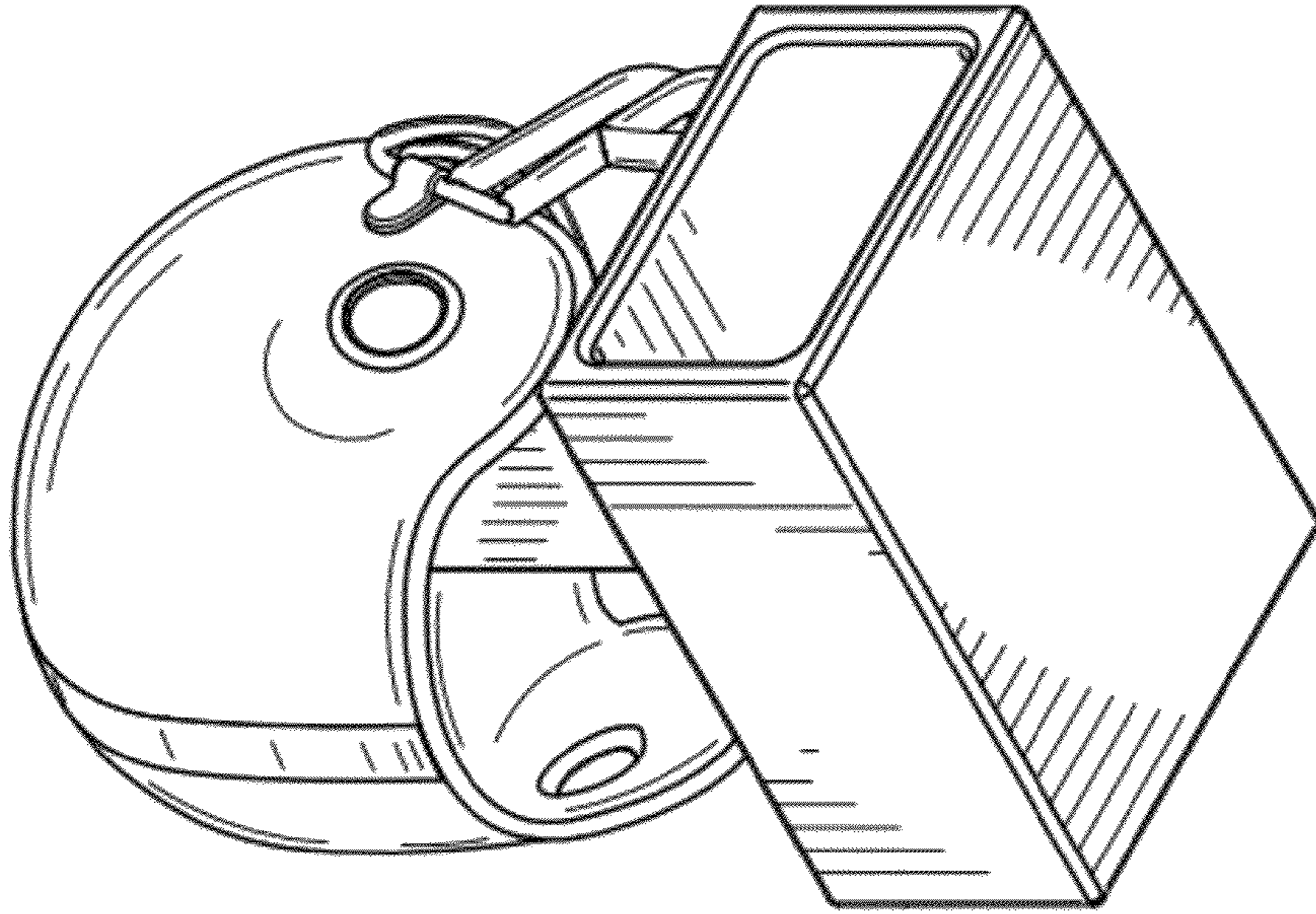


FIG. 2

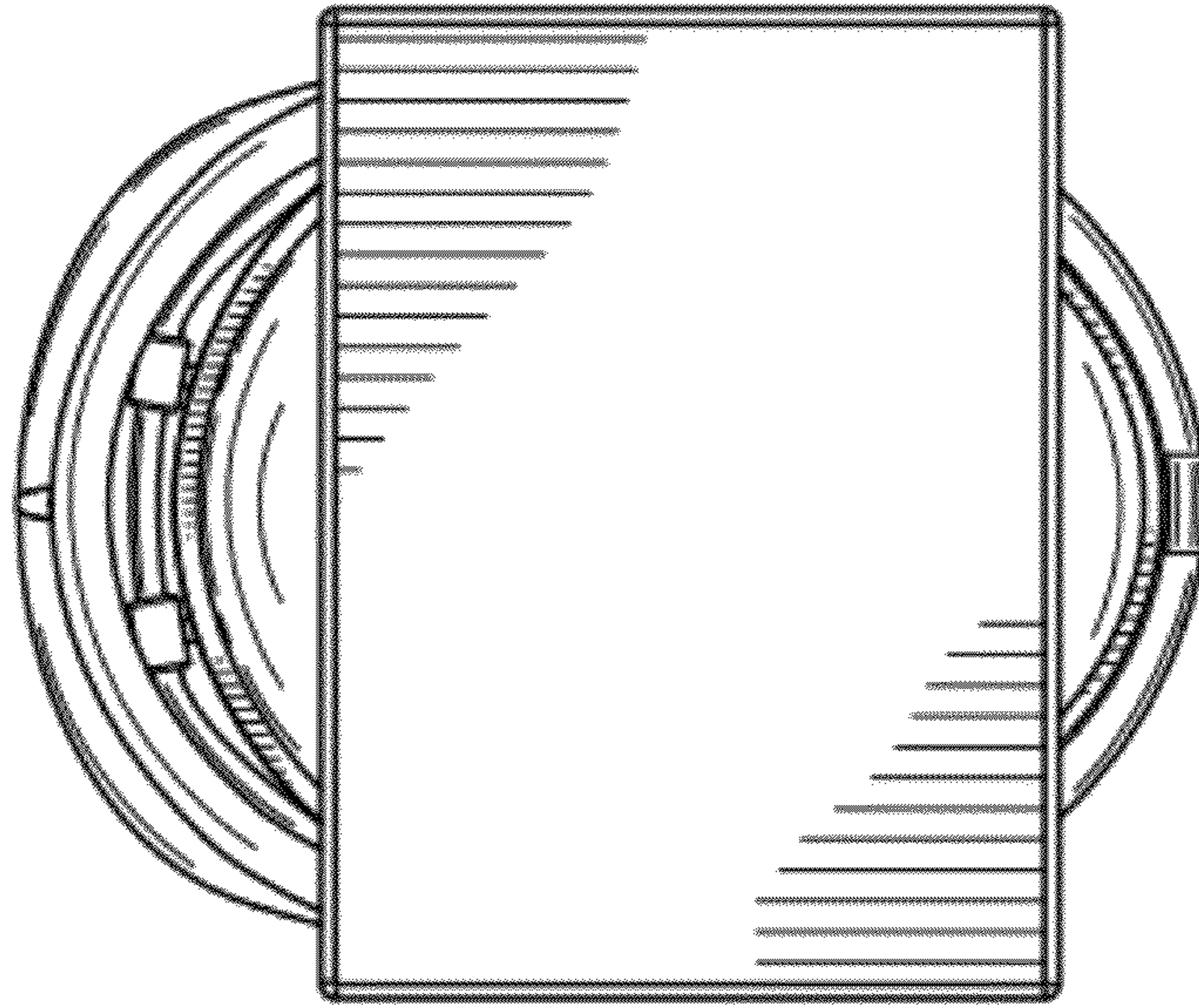


FIG. 4

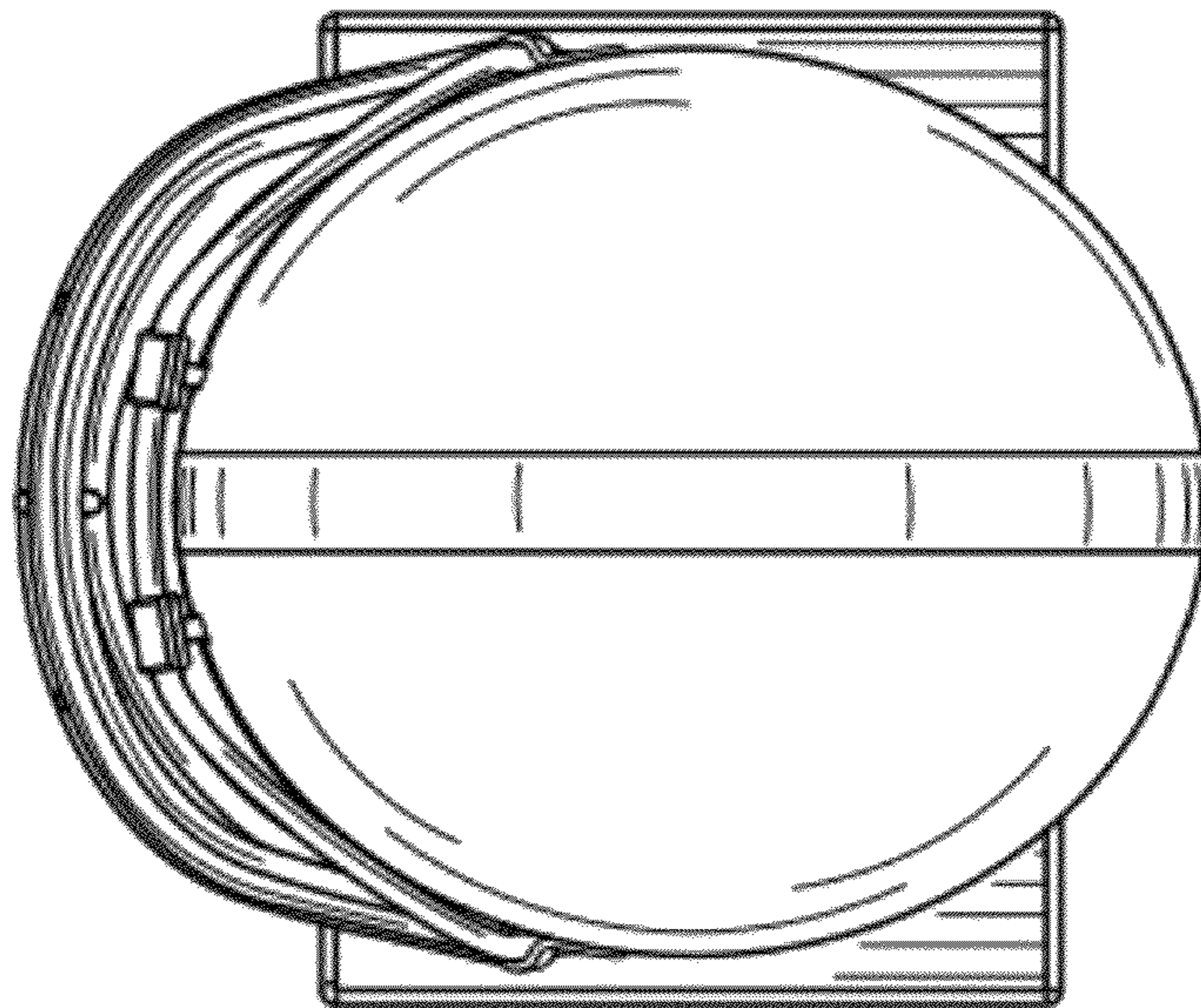


FIG. 3

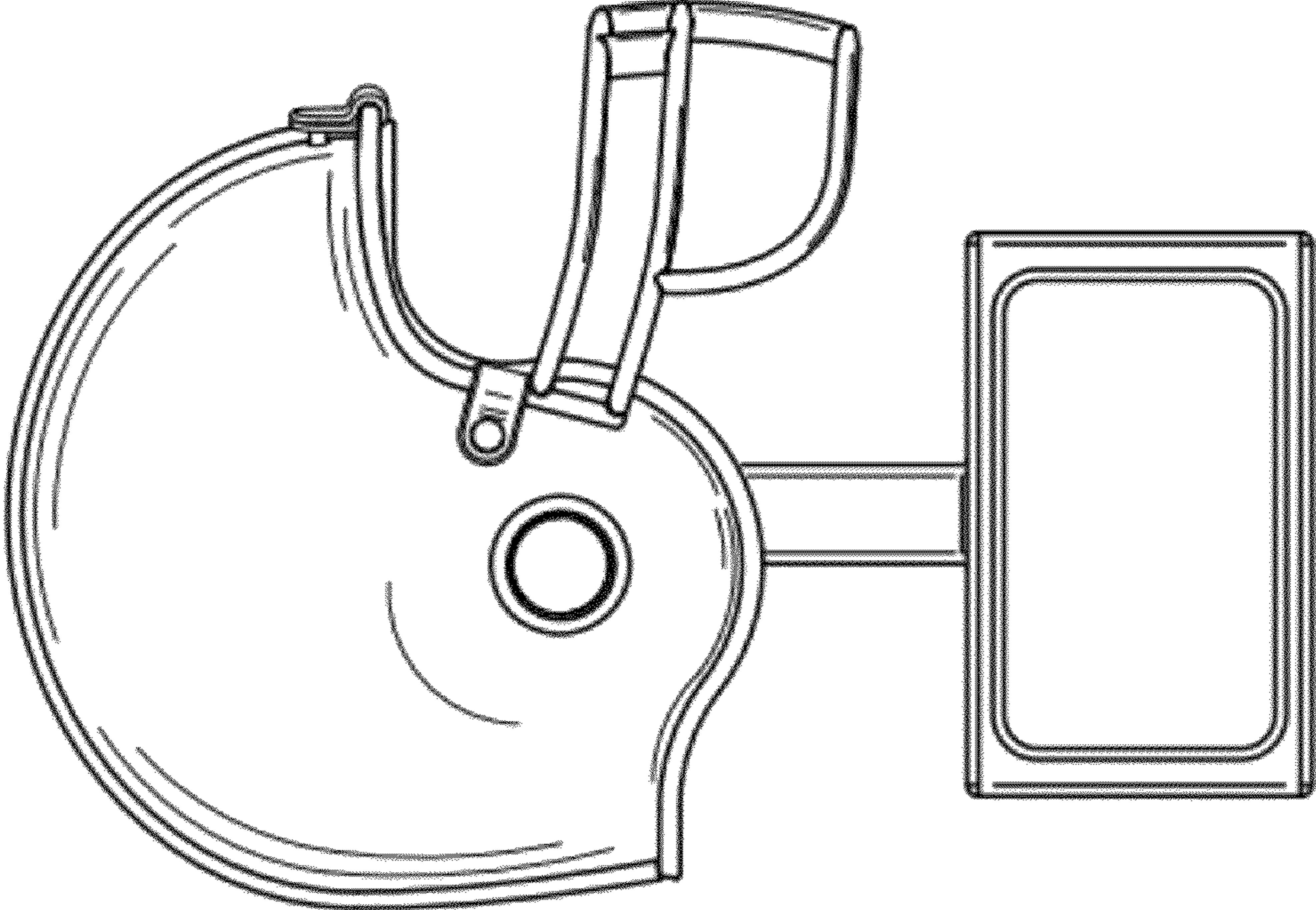


FIG. 5

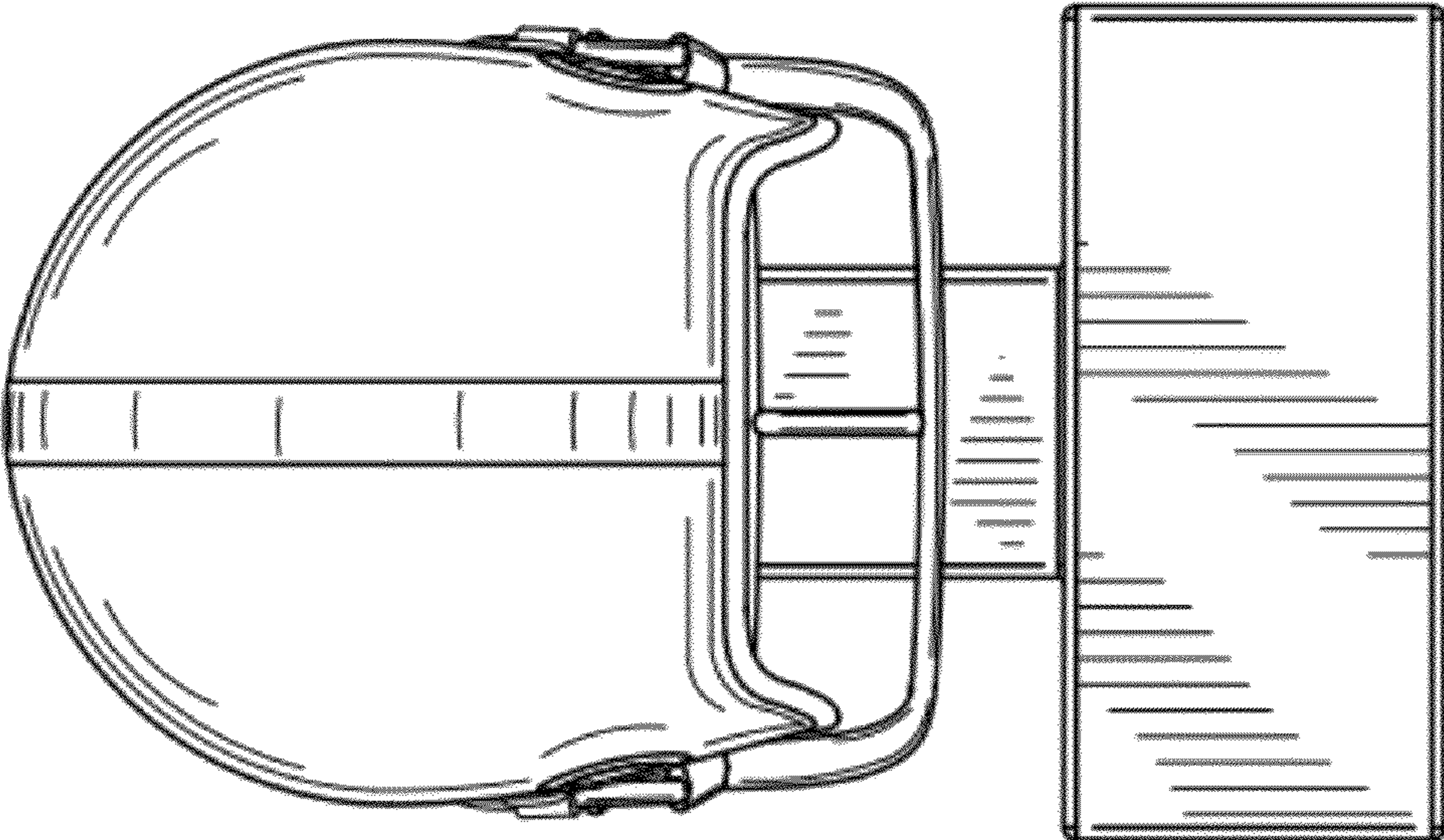


FIG. 7

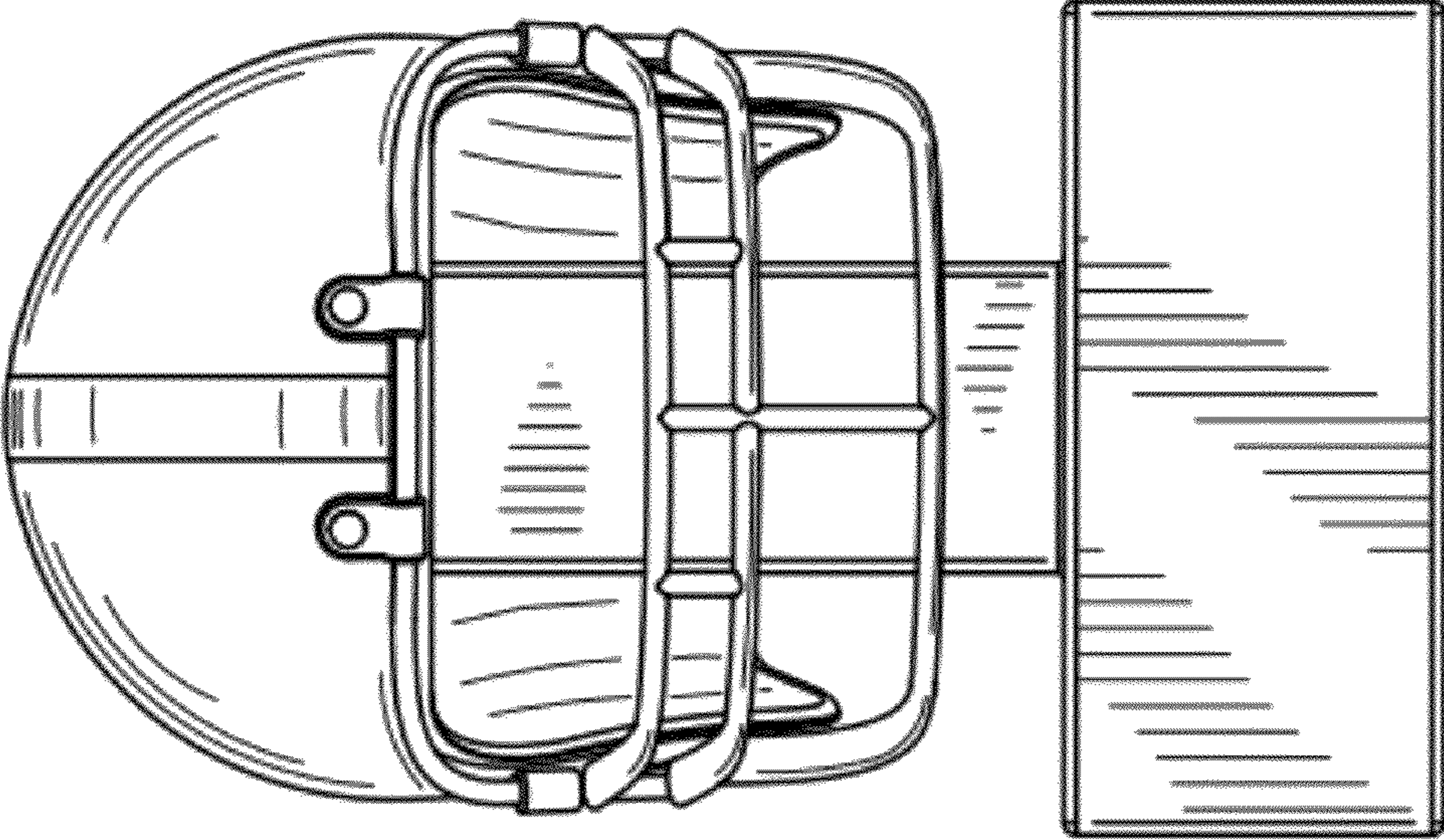


FIG. 6

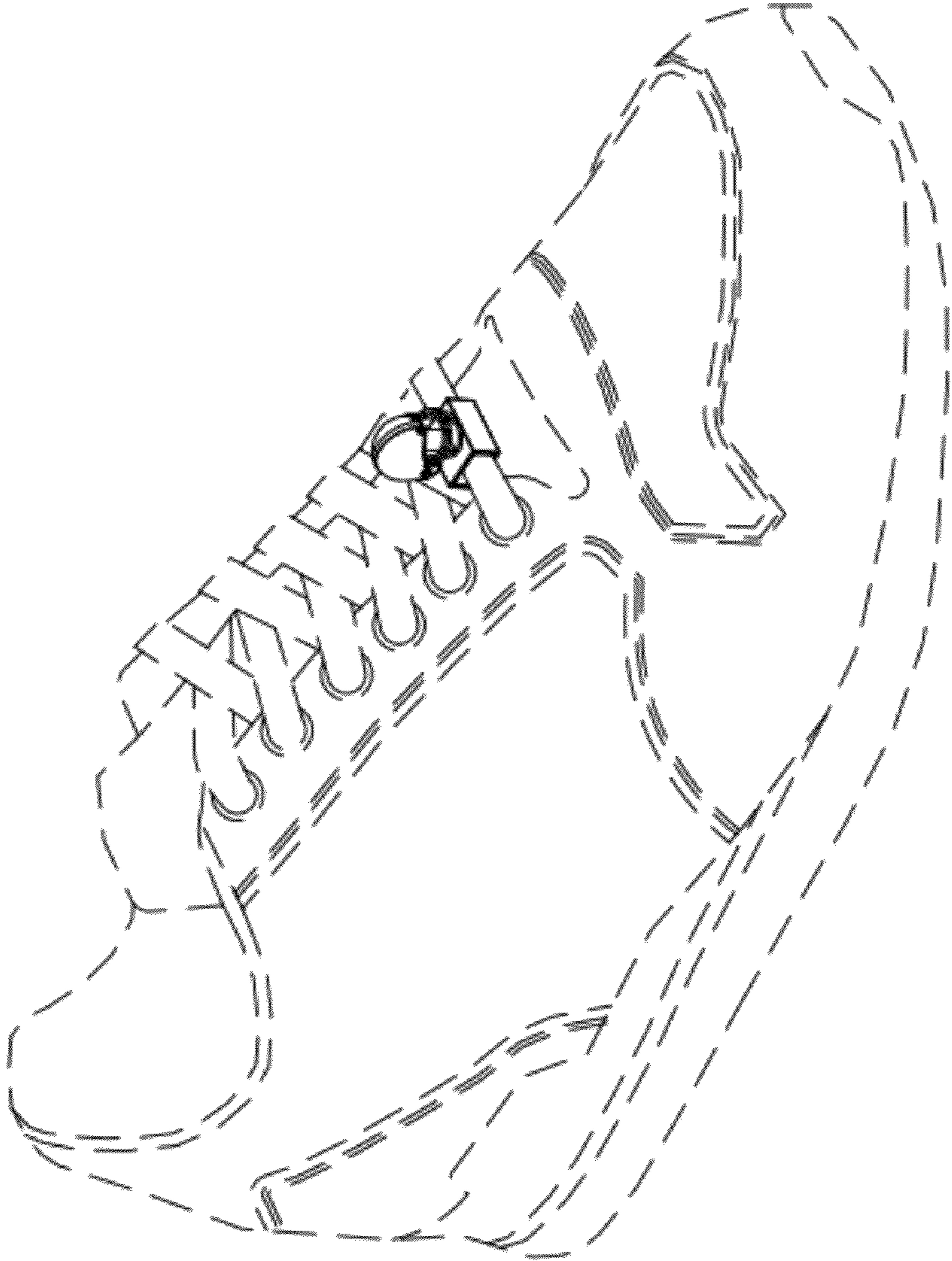


FIG. 8