



US00D665980S

(12) **United States Design Patent**
Ruano Cerdan et al.

(10) **Patent No.:** **US D665,980 S**
(45) **Date of Patent:** **** Aug. 28, 2012**

(54) **INTERCHANGEABLE SHOE HEEL**

(75) Inventors: **Jose Vicente Ruano Cerdan**, Almansa (ES); **Miguel Monteagudo Garro**, Almansa (ES); **Patricia Ruano Cerdan**, Almansa (ES); **Juan Angel Monteagudo Garro**, Almansa (ES)

(73) Assignee: **Tac Revolution SL**, Albacete (ES)

(**) Term: **14 Years**

(21) Appl. No.: **29/409,626**

(22) Filed: **Dec. 27, 2011**

(51) **LOC (9) Cl.** **02-99**

(52) **U.S. Cl.** **D2/965**

(58) **Field of Classification Search** D2/946,
D2/964, 965; 36/100, 101

See application file for complete search history.

(56) **References Cited**

U.S. PATENT DOCUMENTS

1,397,834 A * 11/1921 Dow 36/36 R
D79,073 S * 7/1929 Greenwald D2/966

(Continued)

Primary Examiner — Dominic Simone

(74) *Attorney, Agent, or Firm* — Mateo Aboy;
Aboy&Associates PC

(57) **CLAIM**

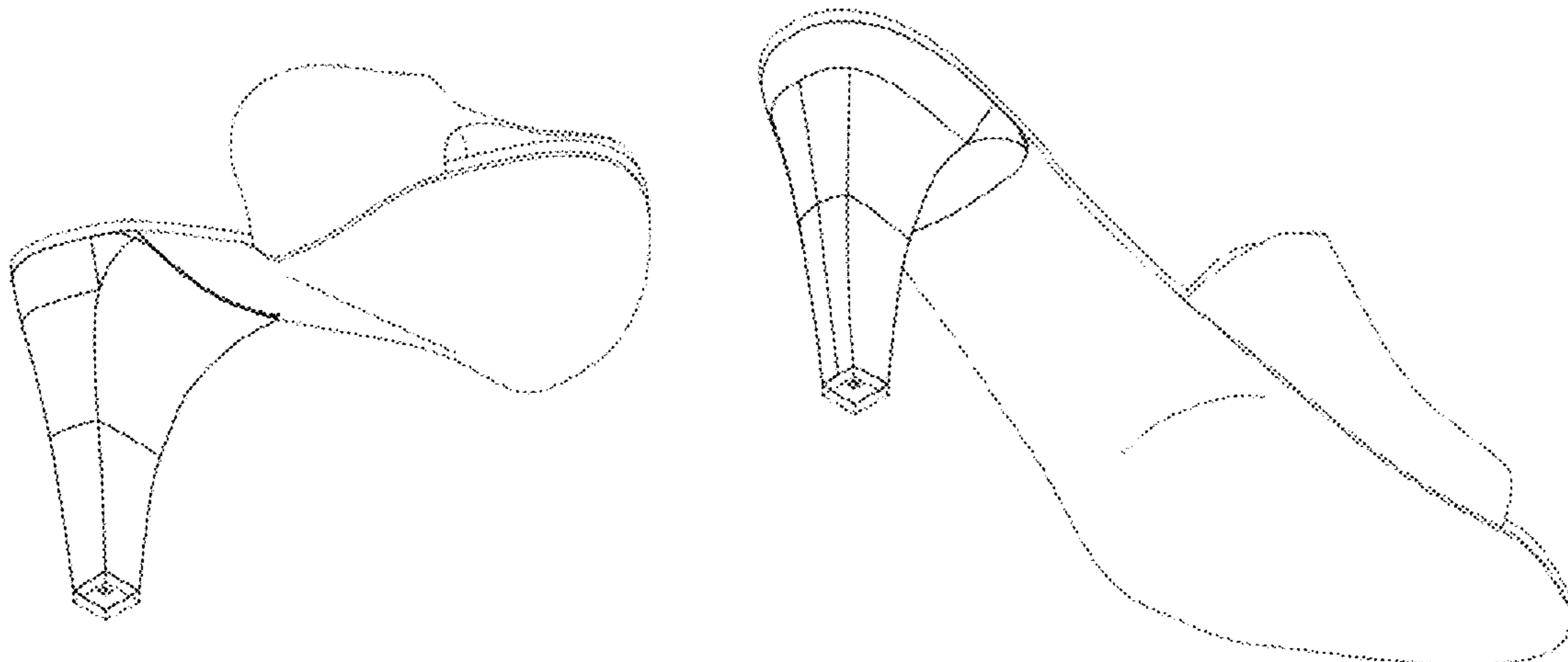
We claim the ornamental design for an interchangeable shoe heel, as shown and described.

DESCRIPTION

FIG. 1 is a top, right perspective view of an interchangeable shoe heel showing the new design;

FIG. 2 is a bottom, front perspective view thereof;
FIG. 3 is a bottom, left perspective view thereof;
FIG. 4 is an exploded, top, right perspective view thereof;
FIG. 5 is an exploded, bottom, left perspective view thereof;
FIG. 6 is a front, elevation view thereof;
FIG. 7 is a rear, elevation view thereof;
FIG. 8 is a right, elevation view thereof;
FIG. 9 is a left, elevation view thereof;
FIG. 10 is a top view thereof;
FIG. 11 is a bottom view thereof;
FIG. 12 is a top, right perspective view of the upper portion thereof;
FIG. 13 is a bottom, rear perspective view of the upper portion thereof;
FIG. 14 is a front, elevation view of the upper portion thereof;
FIG. 15 is a rear, elevation view of the upper portion thereof;
FIG. 16 is a right, elevation view of the upper portion thereof;
FIG. 17 is a left, elevation view of the upper portion thereof;
FIG. 18 is a top, elevation view of the upper portion thereof;
FIG. 19 is a bottom, elevation view of the upper portion thereof;
FIG. 20 is a top, right perspective view of the lower portion thereof;
FIG. 21 is a front, elevation view of the lower portion thereof;
FIG. 22 is a rear, elevation view of the lower portion thereof;
FIG. 23 is a right, elevation view of the lower portion thereof;
FIG. 24 is a left, elevation view of the lower portion thereof;
FIG. 25 is a top, elevation view of the lower portion thereof;
FIG. 26 is a bottom, elevation view of the lower portion thereof;
FIG. 27 is a top, right perspective of the lower portion thereof;
FIG. 28 is a front, elevation view of the lower portion thereof;
FIG. 29 is a rear, elevation view of the lower portion thereof;
FIG. 30 is a right, elevation view of the lower portion thereof;
FIG. 31 is a left, elevation view of the lower portion thereof;
FIG. 32 is a top, elevation view of the lower portion thereof;
and,
FIG. 33 is a bottom, elevation view of the lower portion thereof.

1 Claim, 14 Drawing Sheets



US D665,980 S

Page 2

U.S. PATENT DOCUMENTS

D89,918	S	*	5/1933	Pulsifer	D2/966			
1,948,967	A	*	2/1934	Jassen	36/36	R		
D93,479	S	*	10/1934	Kean	D2/966			
D94,046	S	*	12/1934	Nutt	D2/966			
2,139,885	A	*	12/1938	De Gironimo	36/36	R		
2,707,341	A	*	5/1955	Romano	36/100			
2,873,540	A	*	2/1959	Murphy	36/101			
2,934,840	A	*	5/1960	Mistarz	D2/966			
3,266,177	A	*	8/1966	Holden	36/37			
4,363,177	A	*	12/1982	Boros	36/101			
5,133,138	A	*	7/1992	Durcho	36/36	R		
D346,269	S	*	4/1994	Irvani-Pour	D2/965			
5,524,365	A	*	6/1996	Goldenberg	36/36	C		
D378,548	S	*	3/1997	Harman, II	D2/939			
5,953,836	A	*	9/1999	Watt et al.	36/100			
6,631,570	B1	*	10/2003	Walker	36/100			
7,059,068	B2	*	6/2006	Magallanes et al.	36/100			
8,112,906	B2	*	2/2012	Paik	36/100			
8,112,908	B2	*	2/2012	Visser	36/100			
8,132,341	B1	*	3/2012	Laramore	36/100			

* cited by examiner

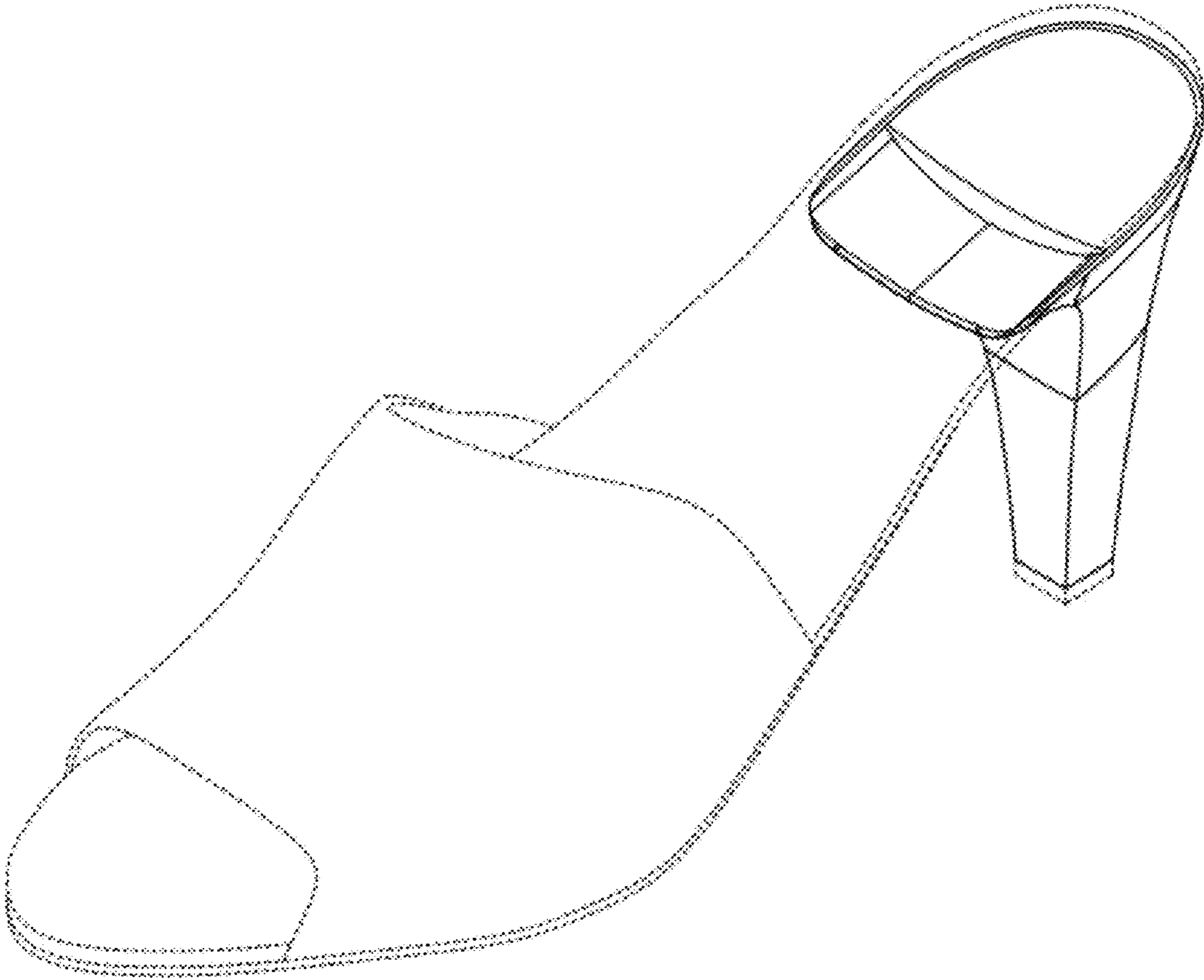


FIG. 1

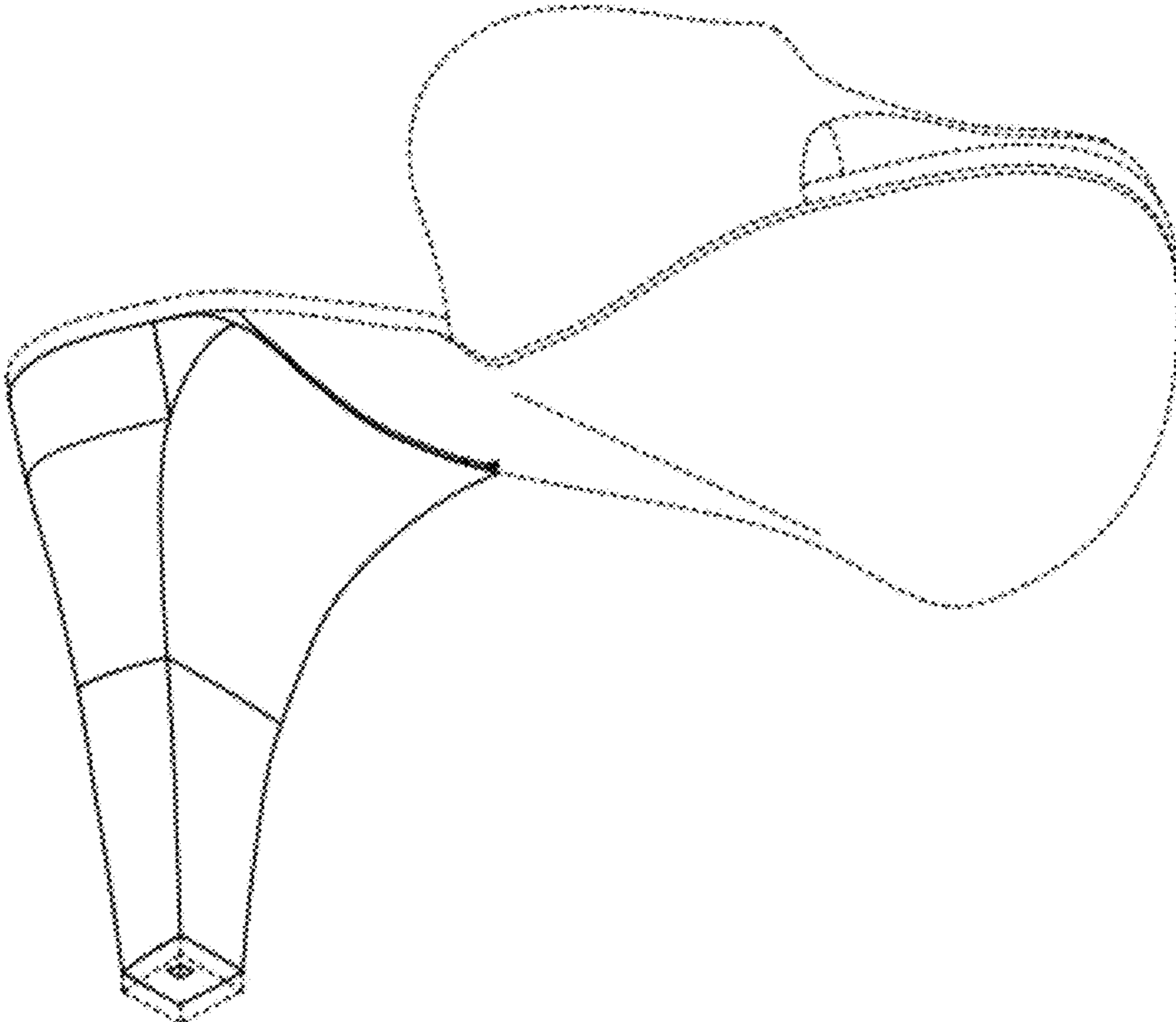


FIG.2

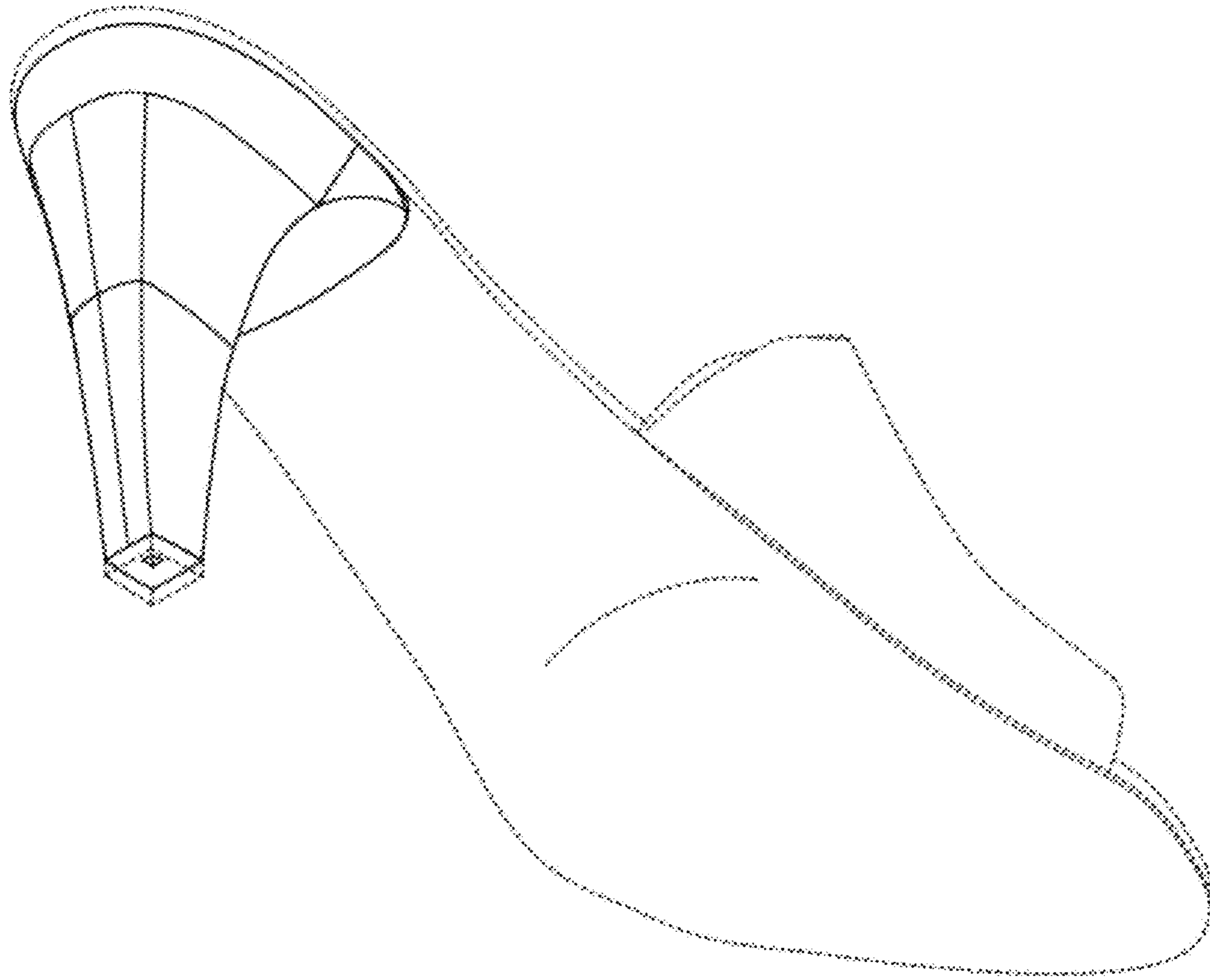


FIG.3

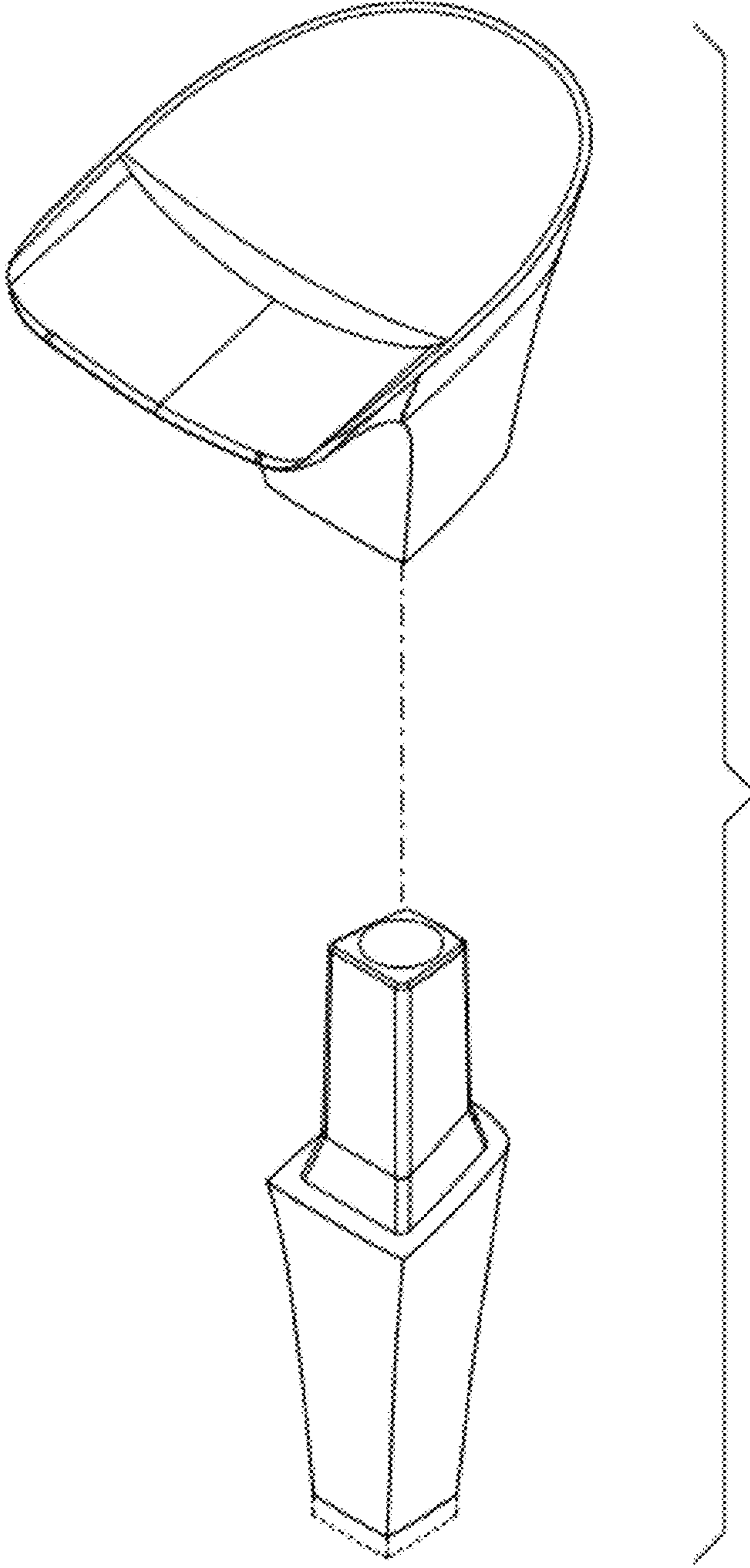


FIG.4

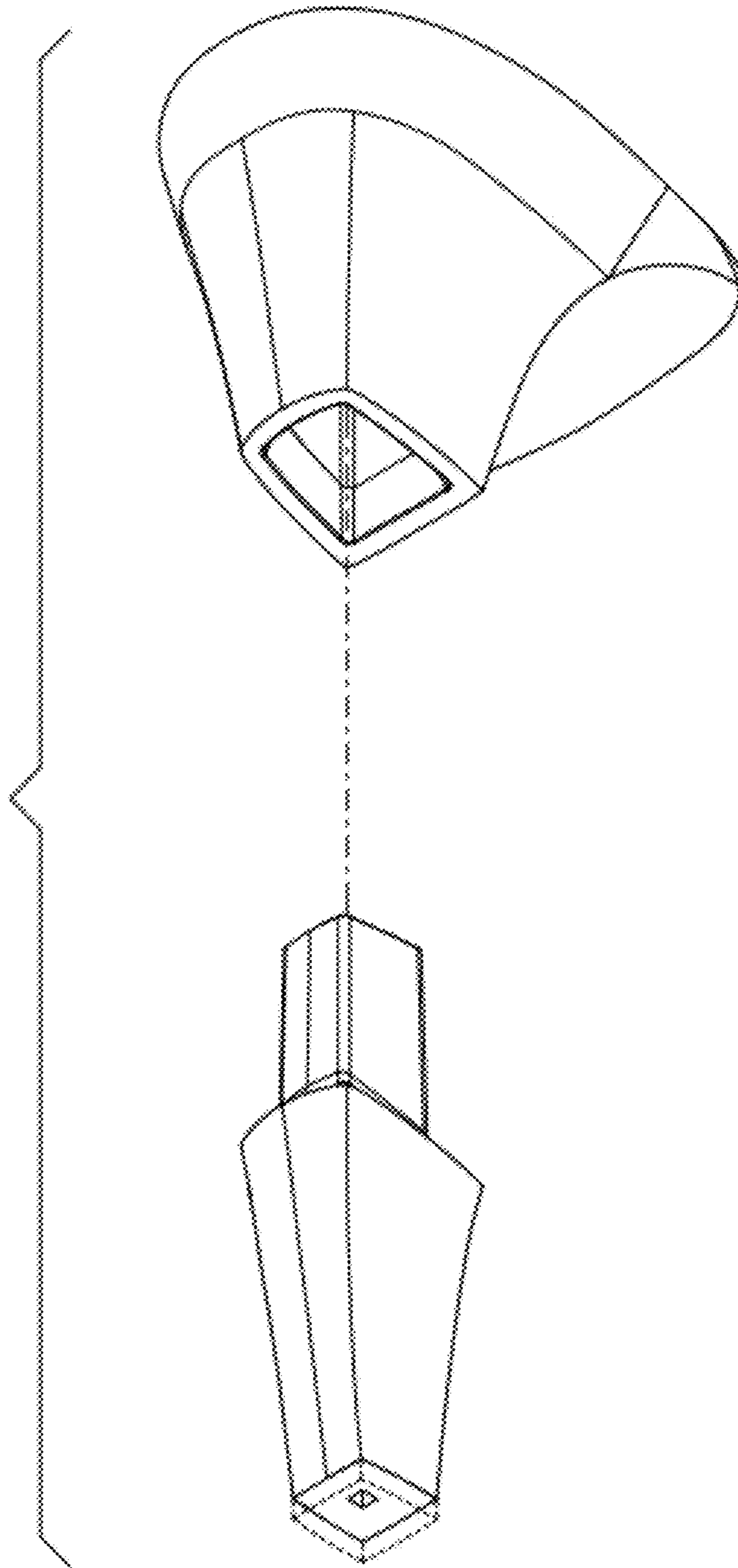


FIG.5

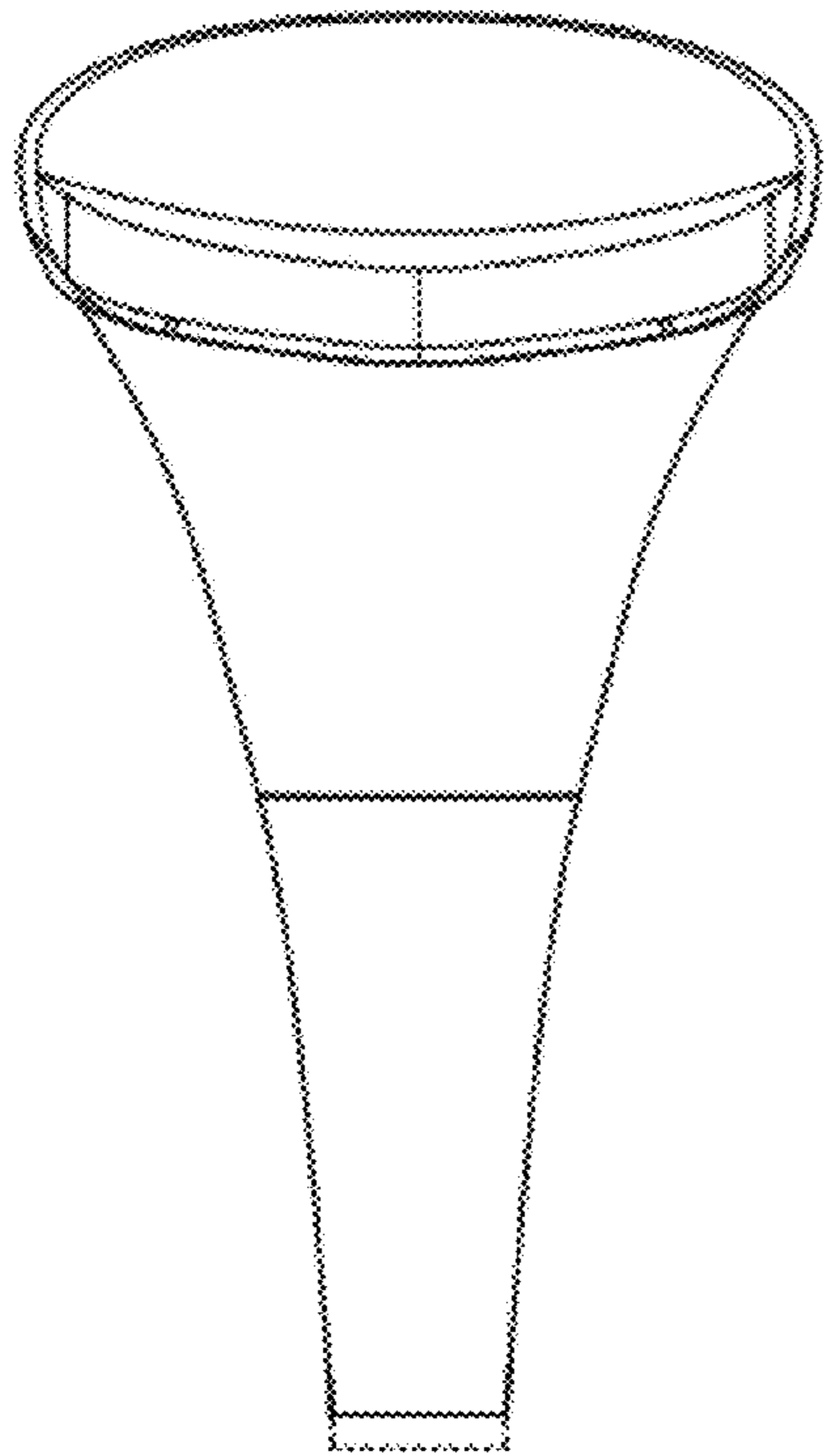


FIG. 6

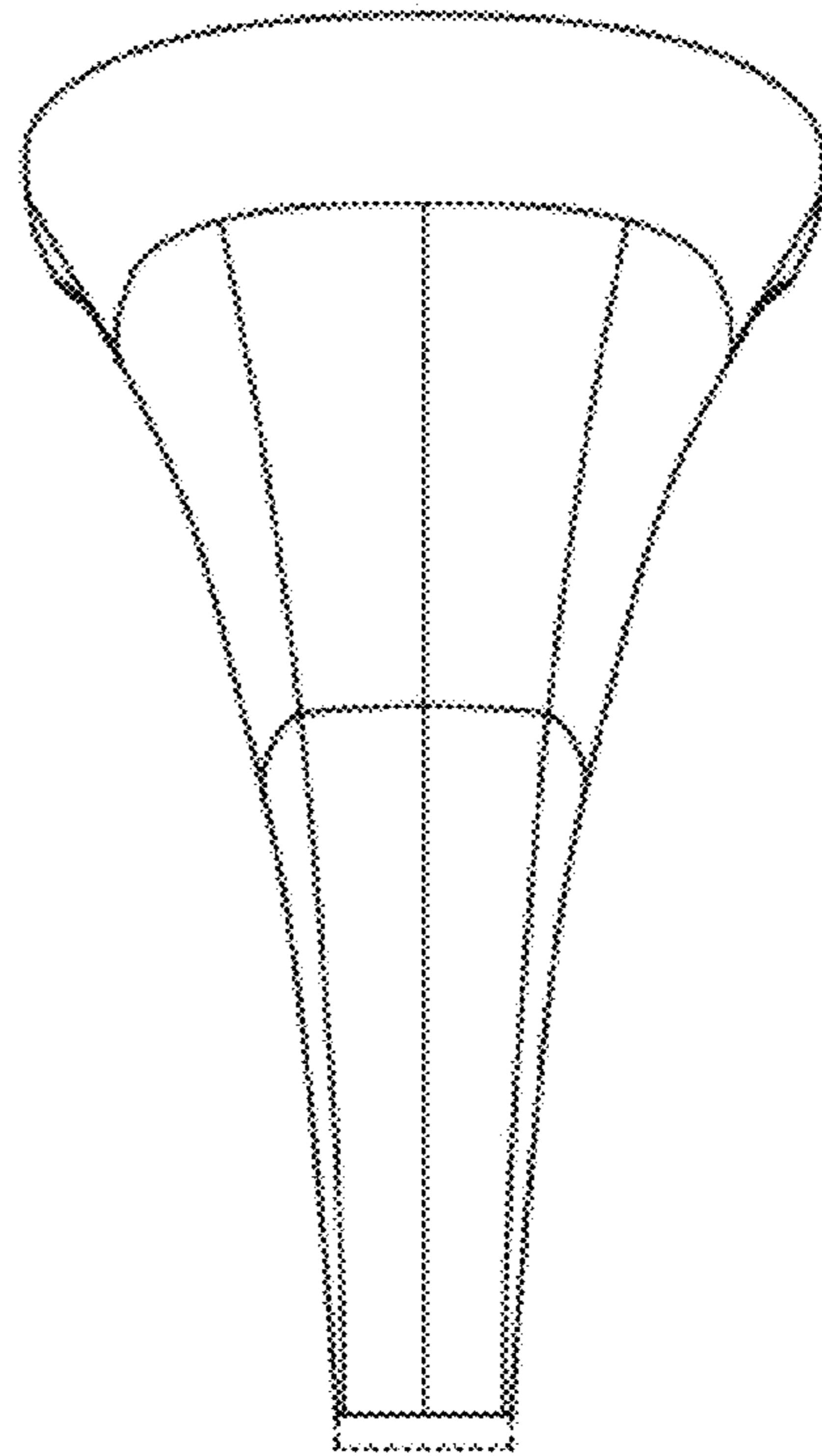


FIG. 7

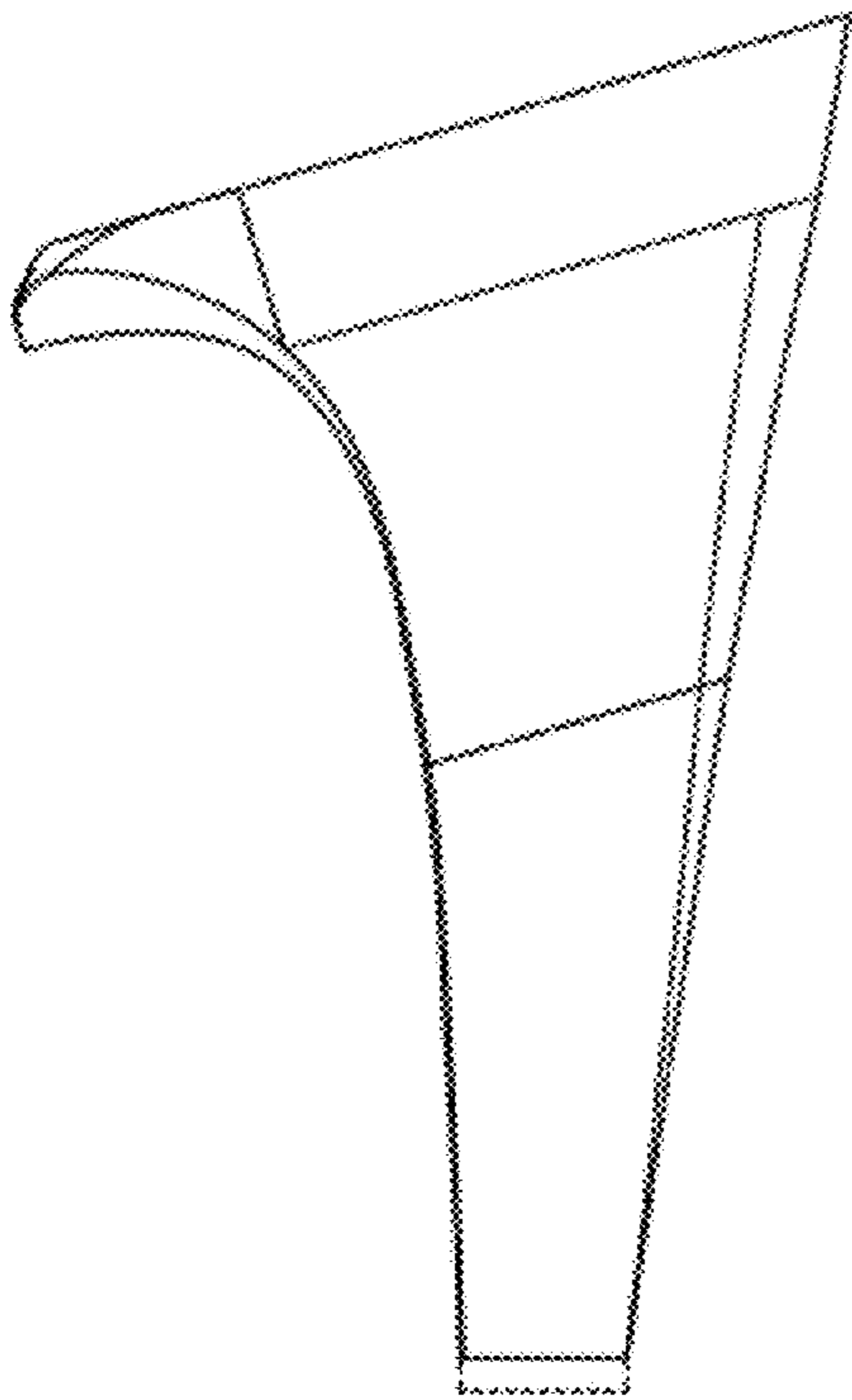


FIG. 8

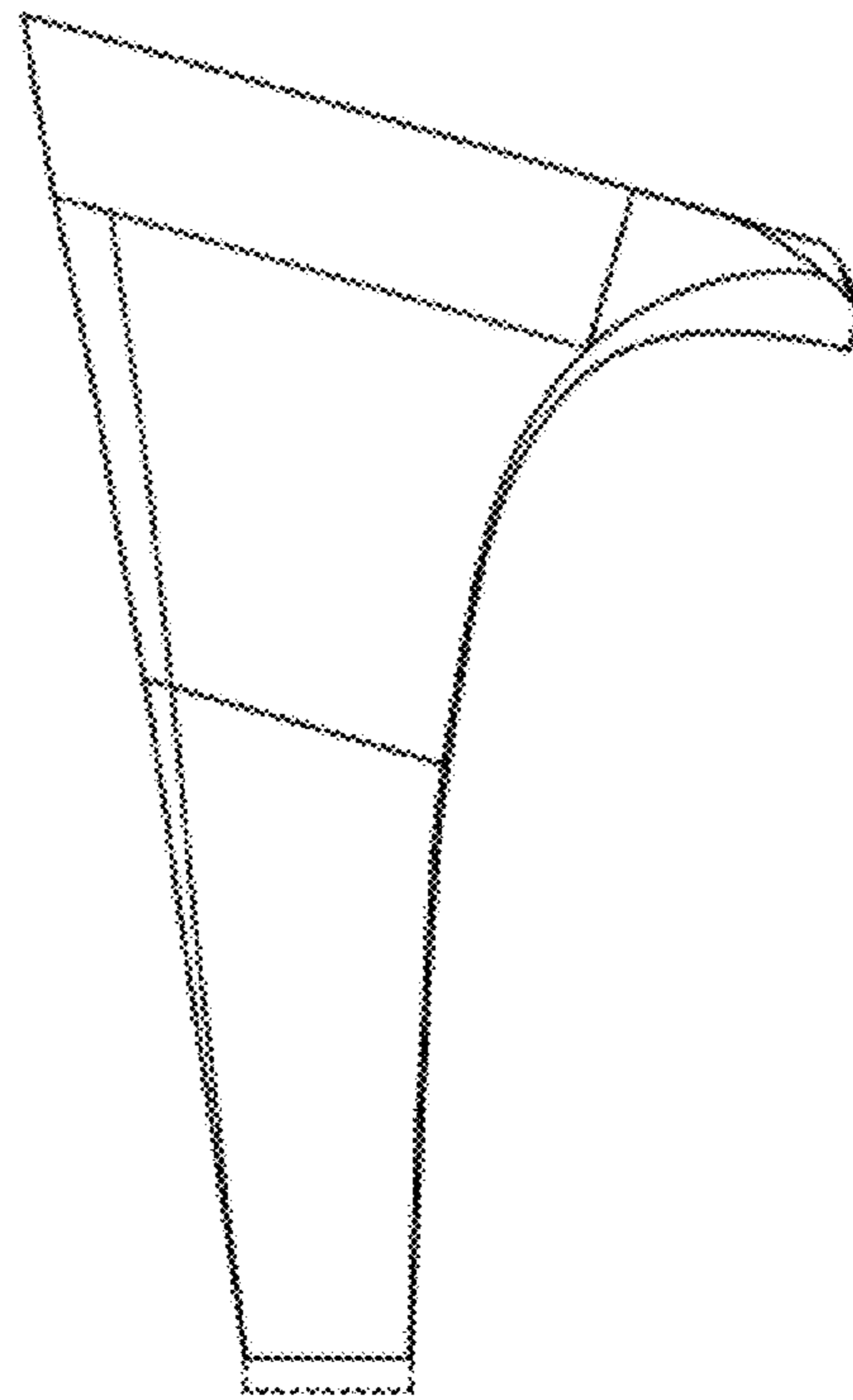


FIG. 9

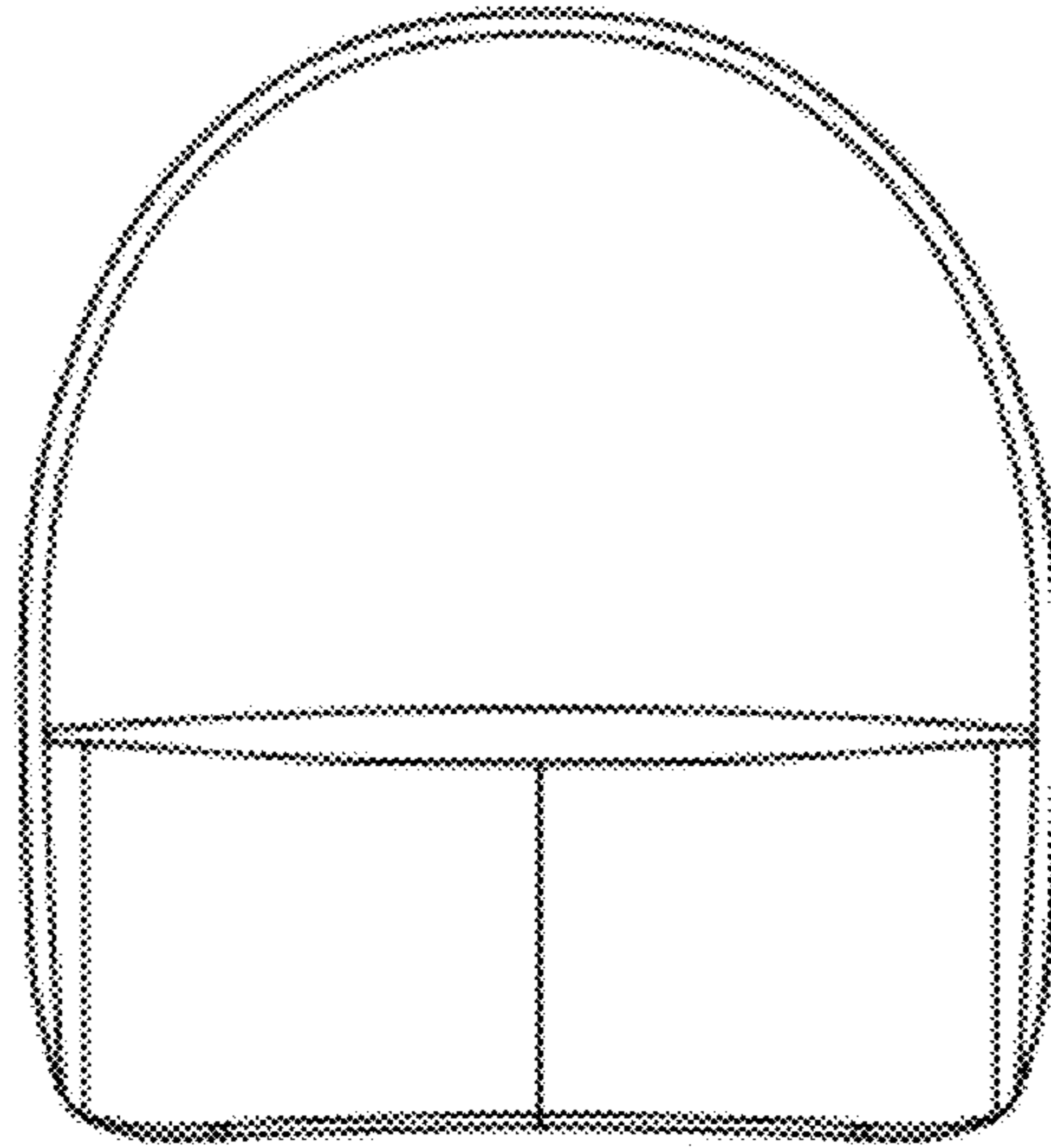


FIG. 10

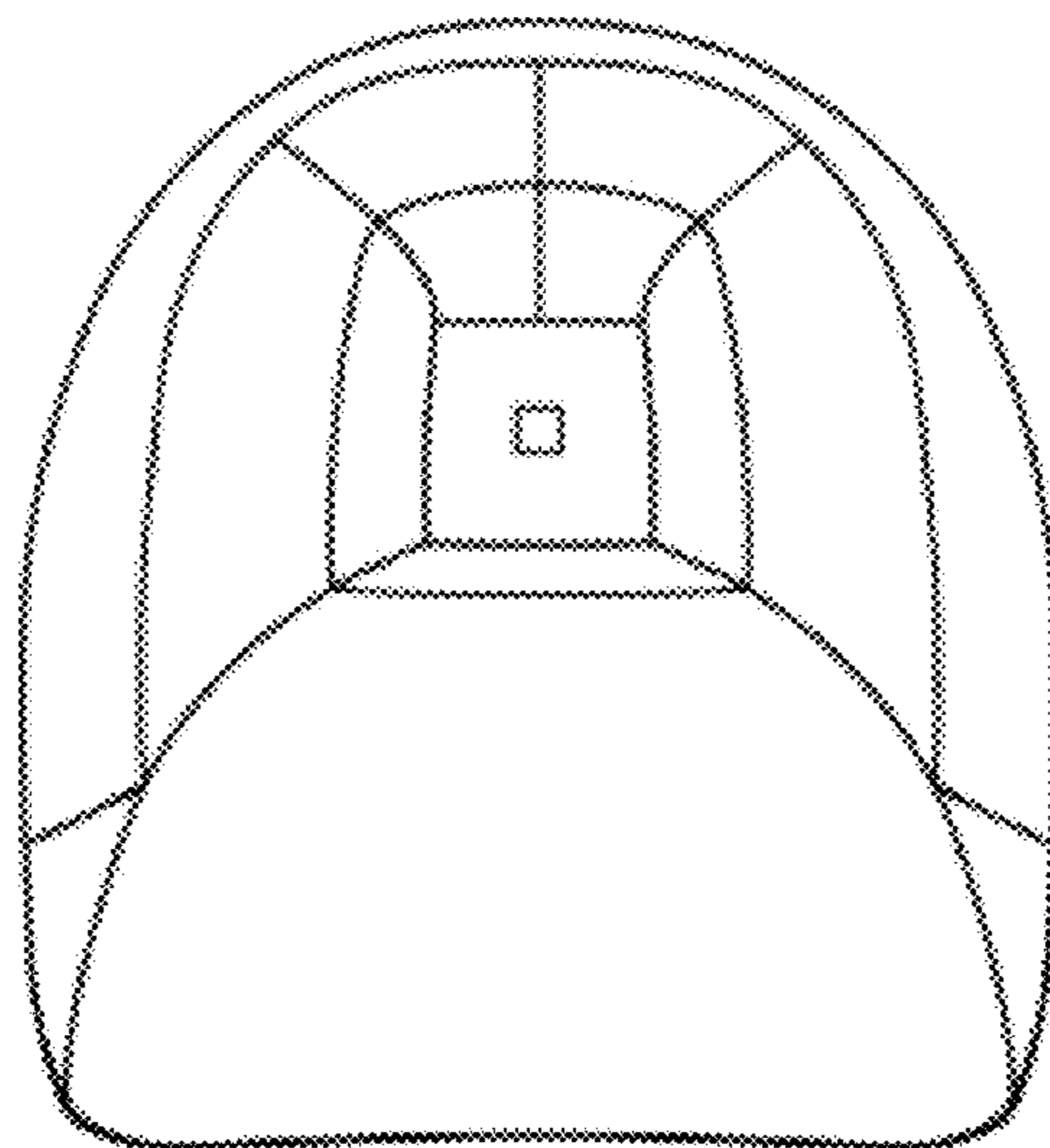


FIG. 11

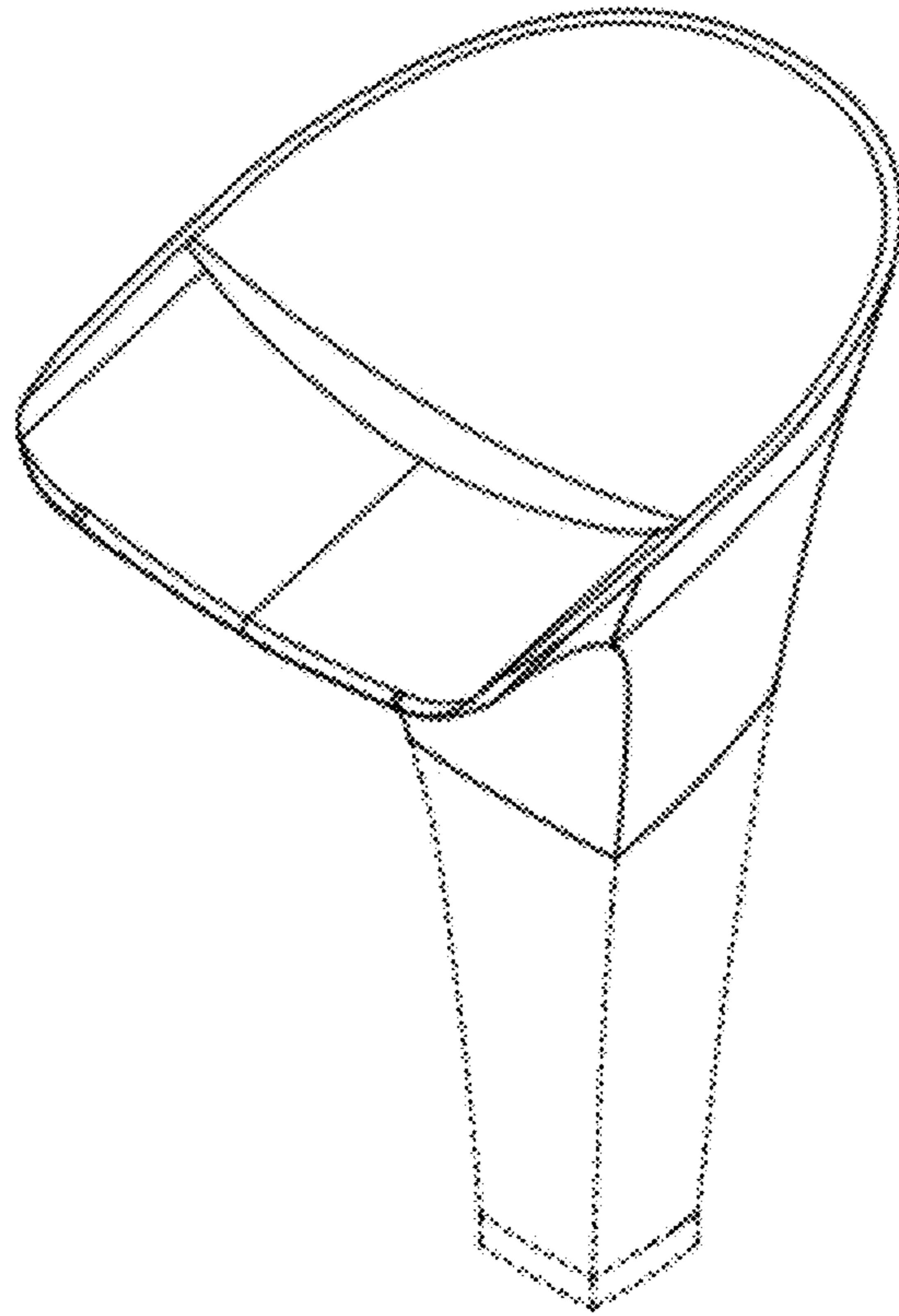


FIG. 12

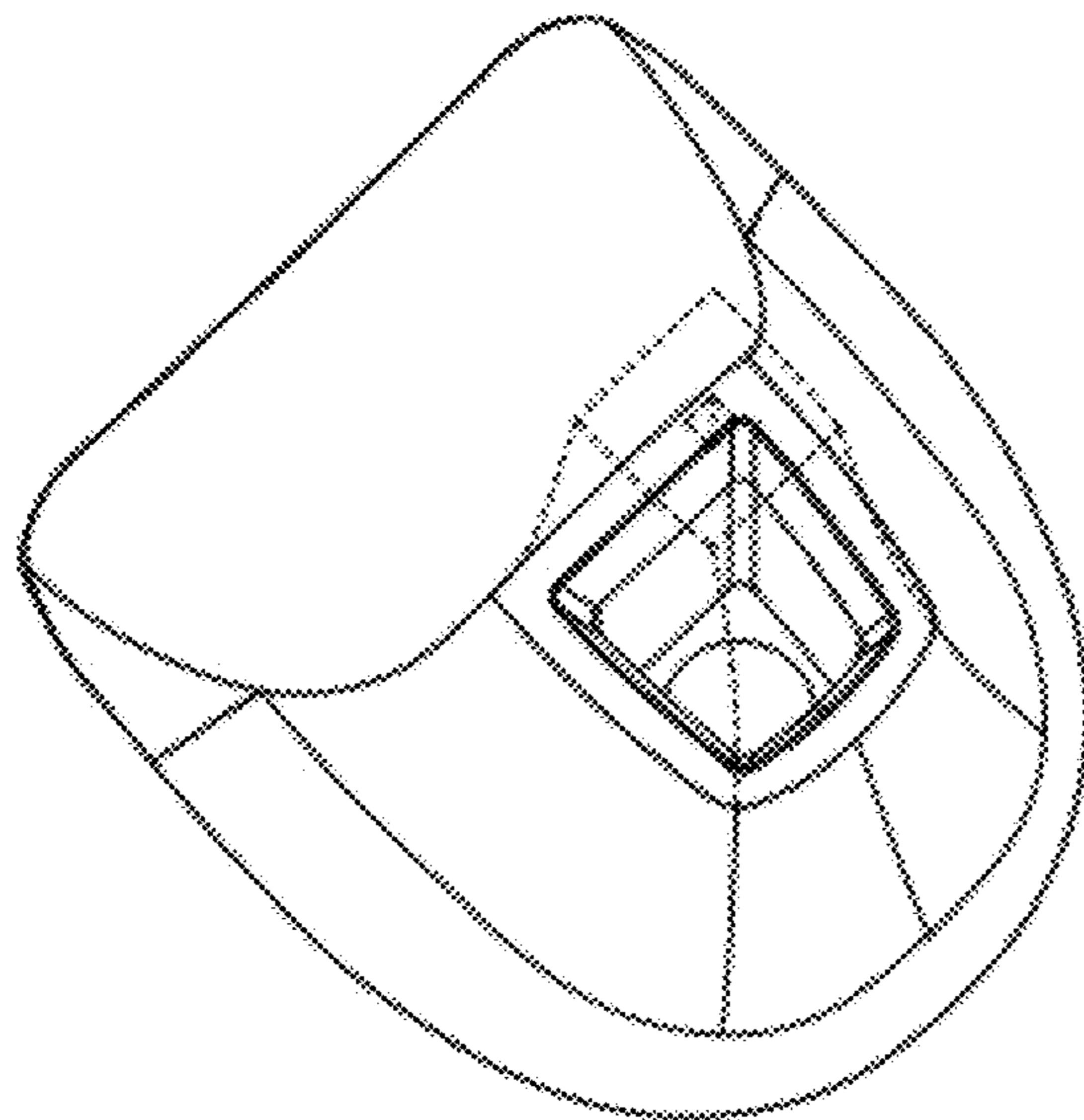


FIG. 13

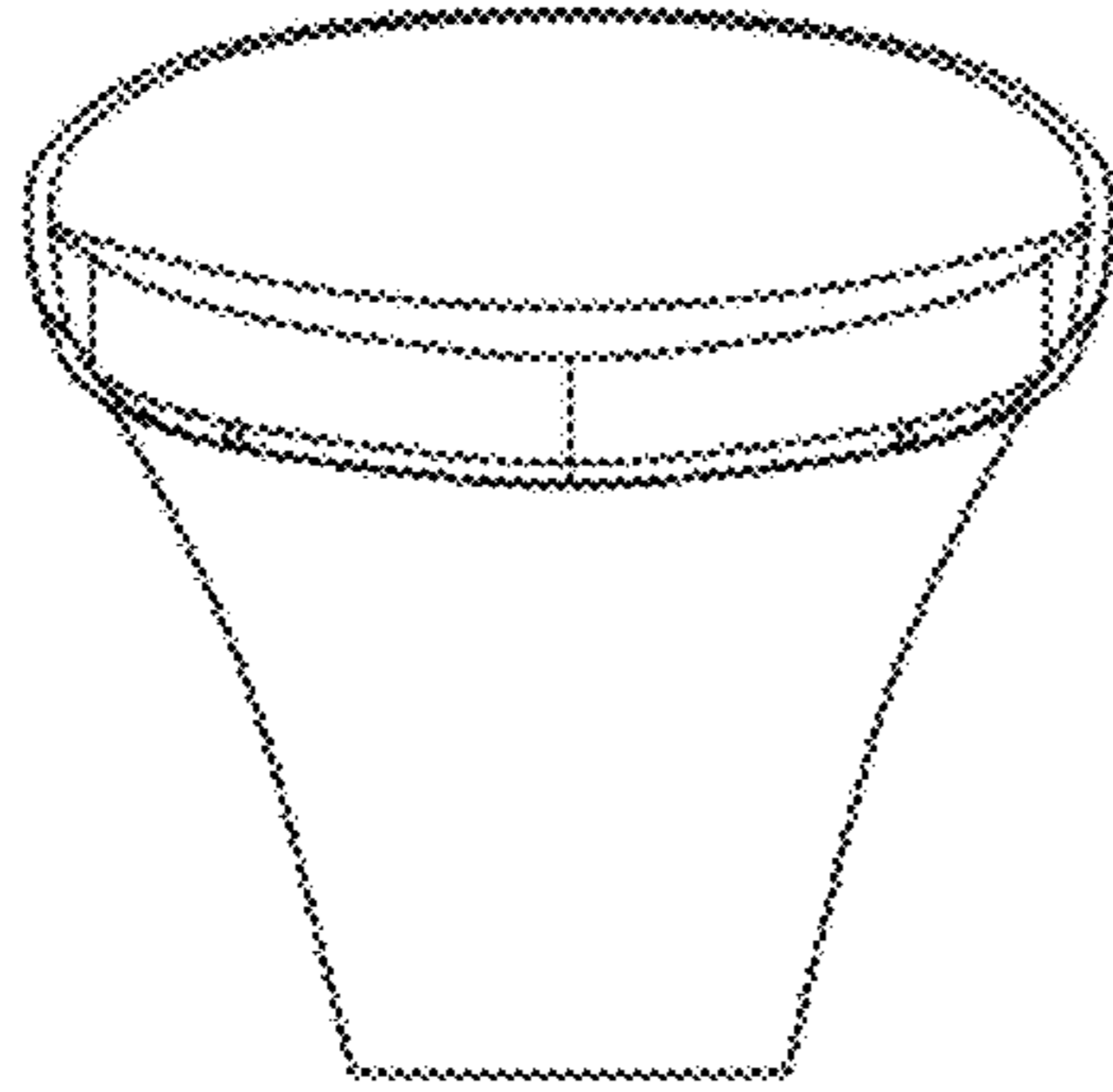


FIG. 14

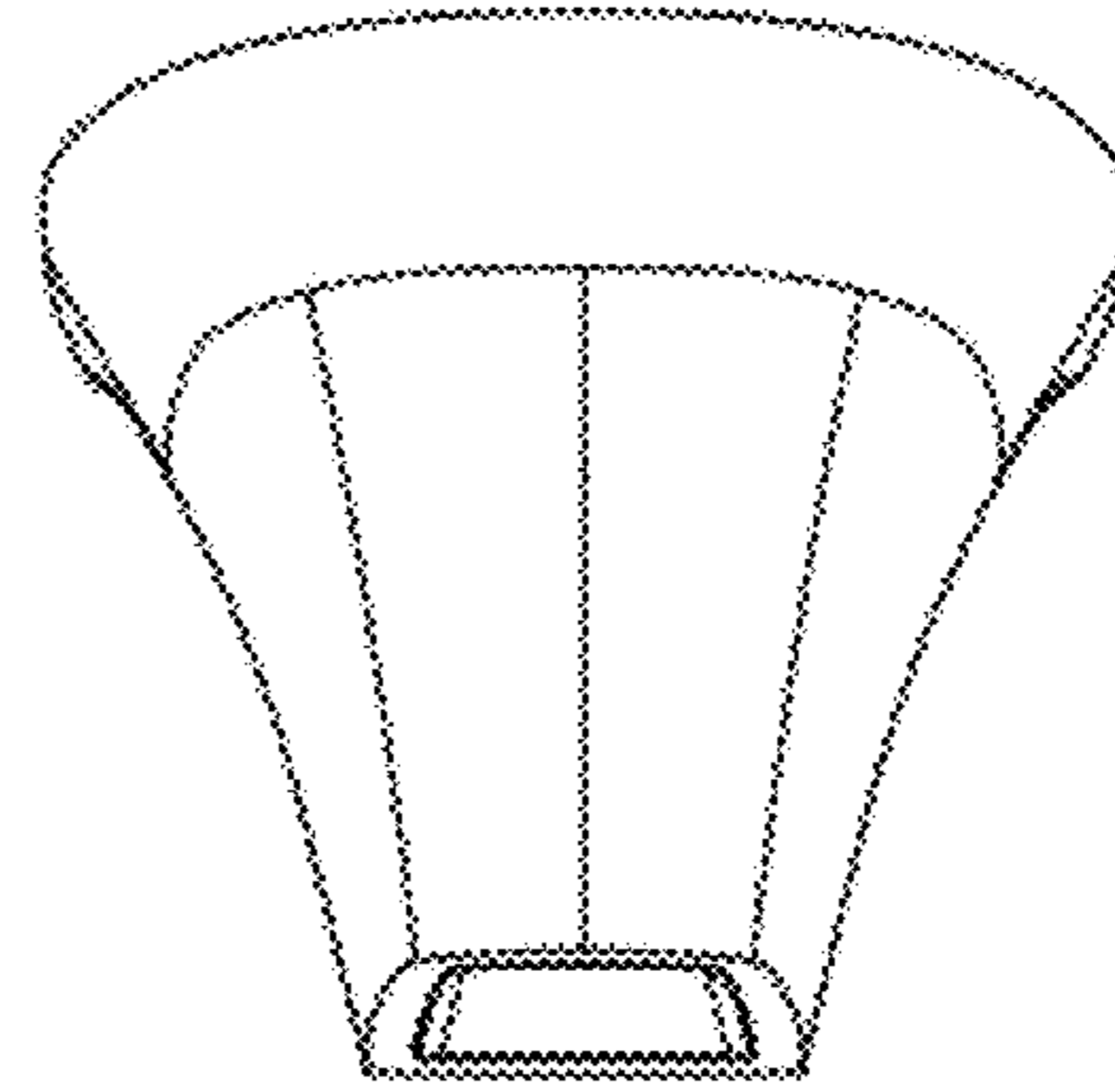


FIG. 15

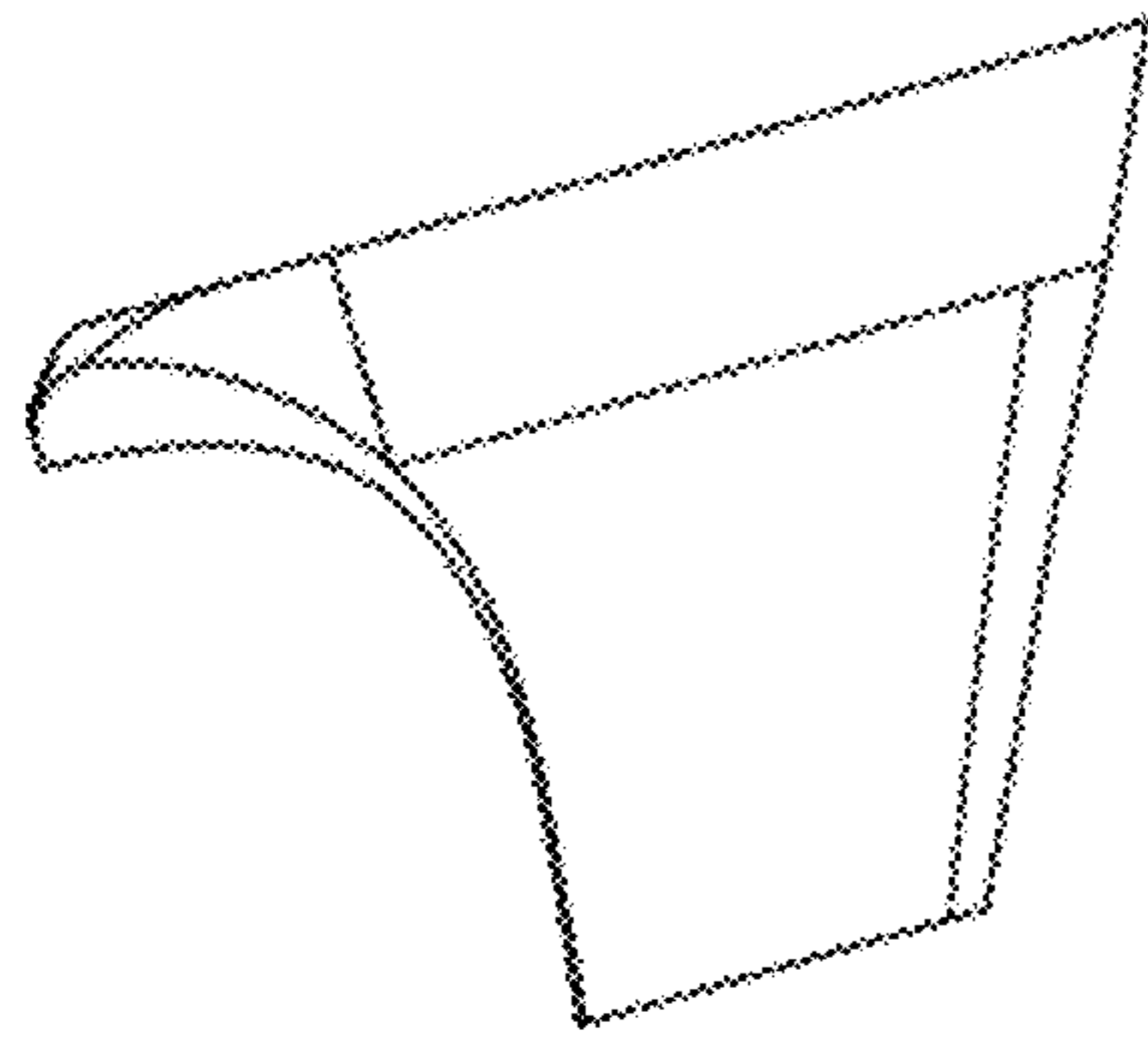


FIG. 16

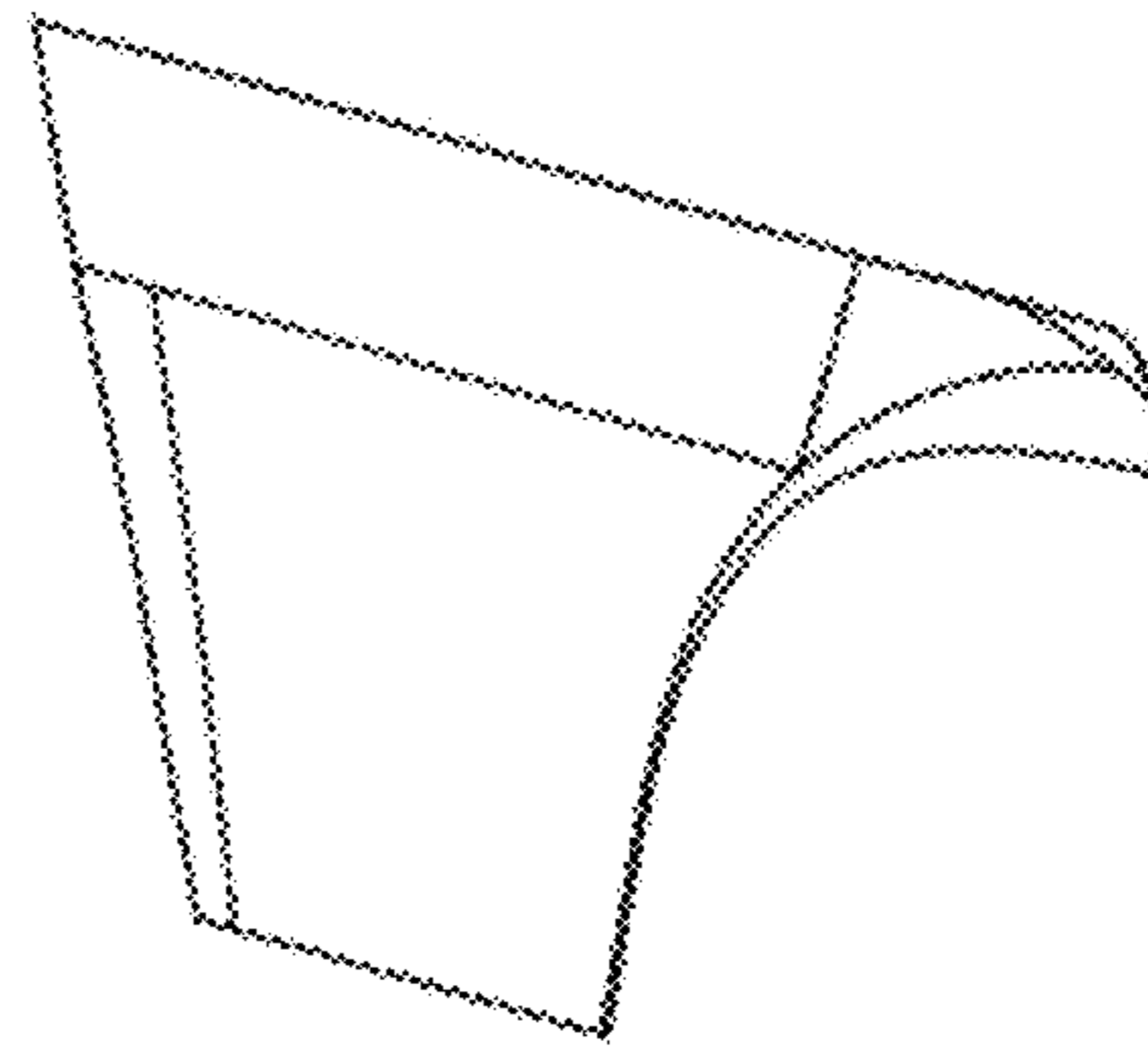


FIG. 17

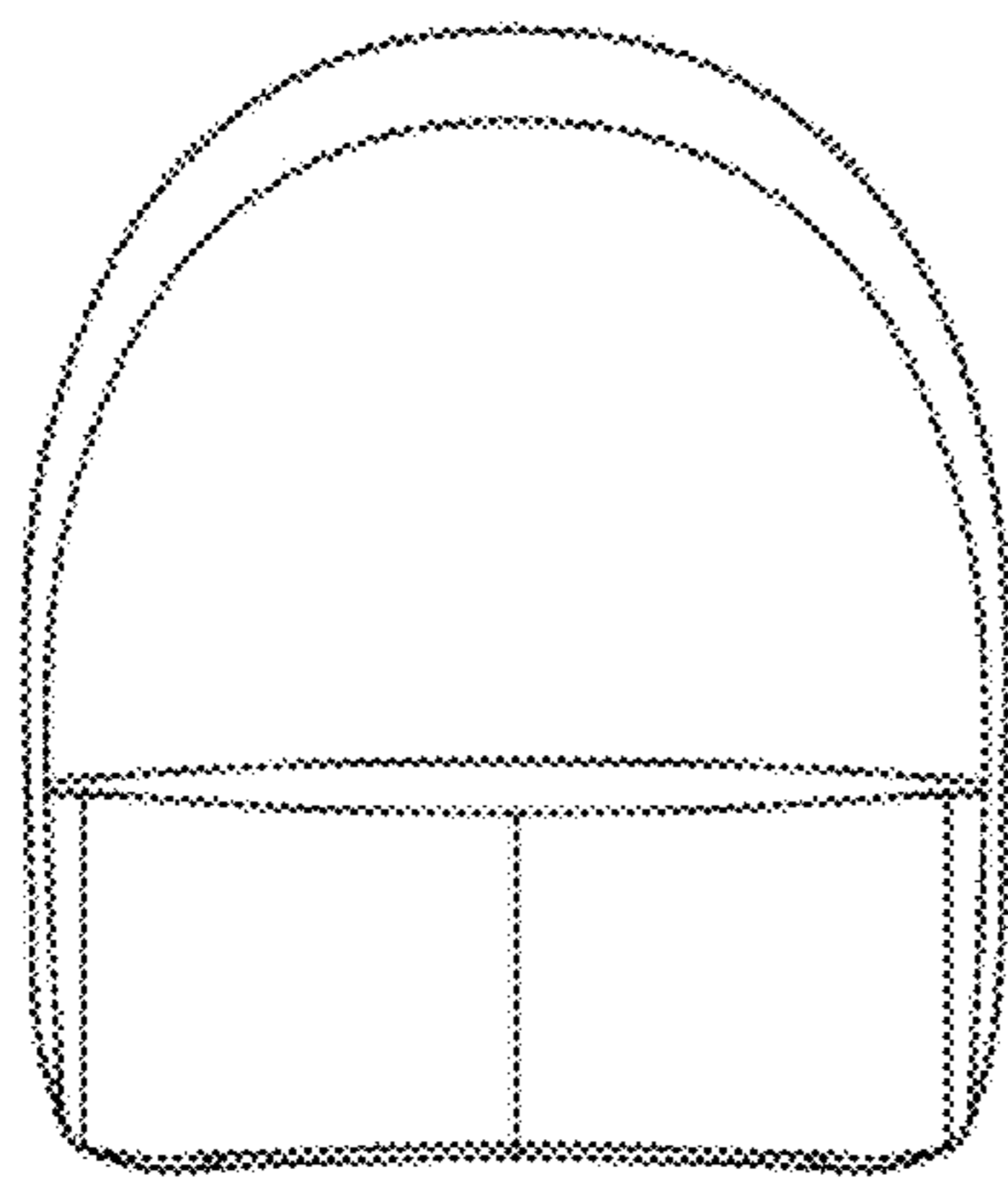


FIG. 18

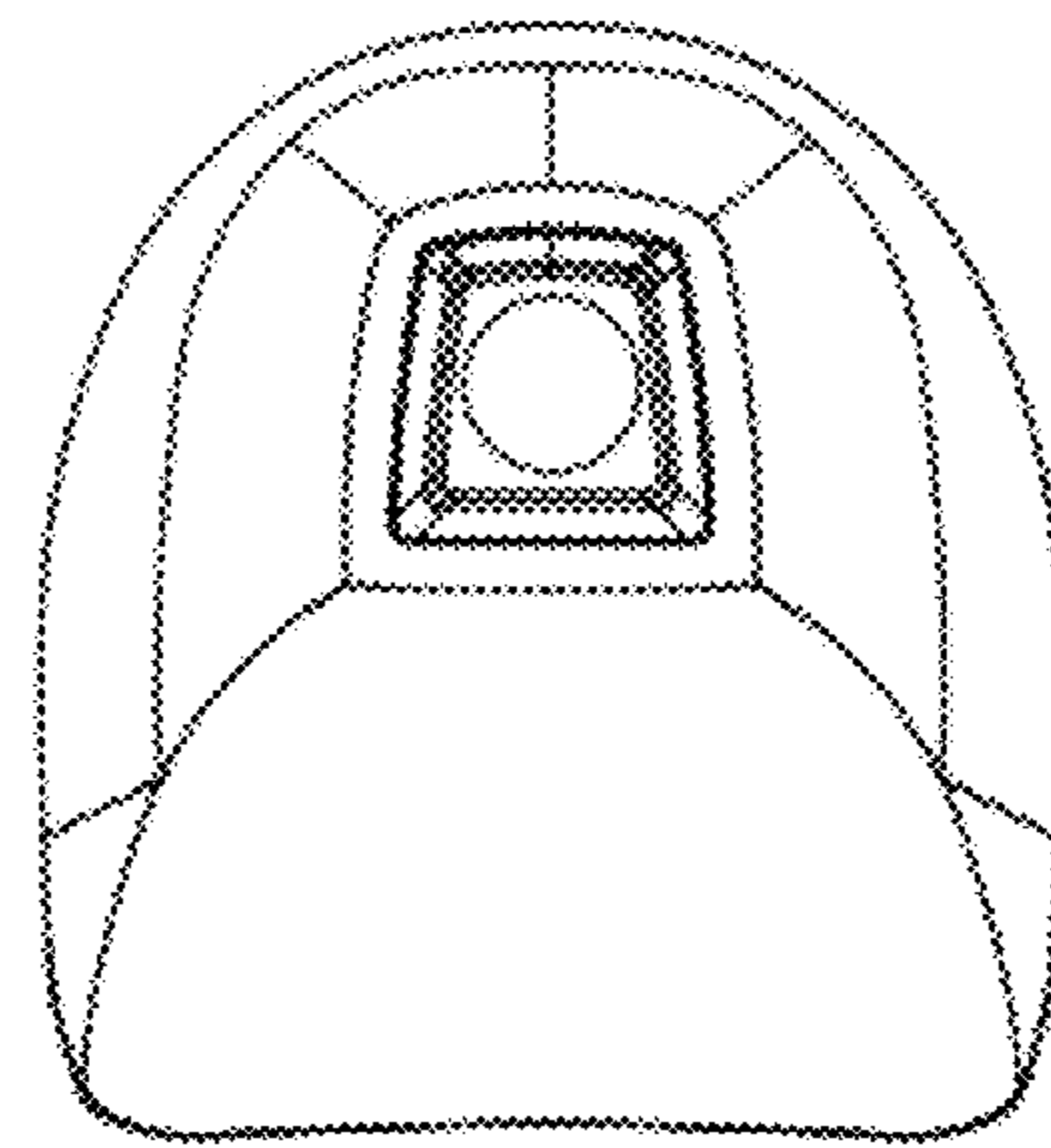


FIG. 19

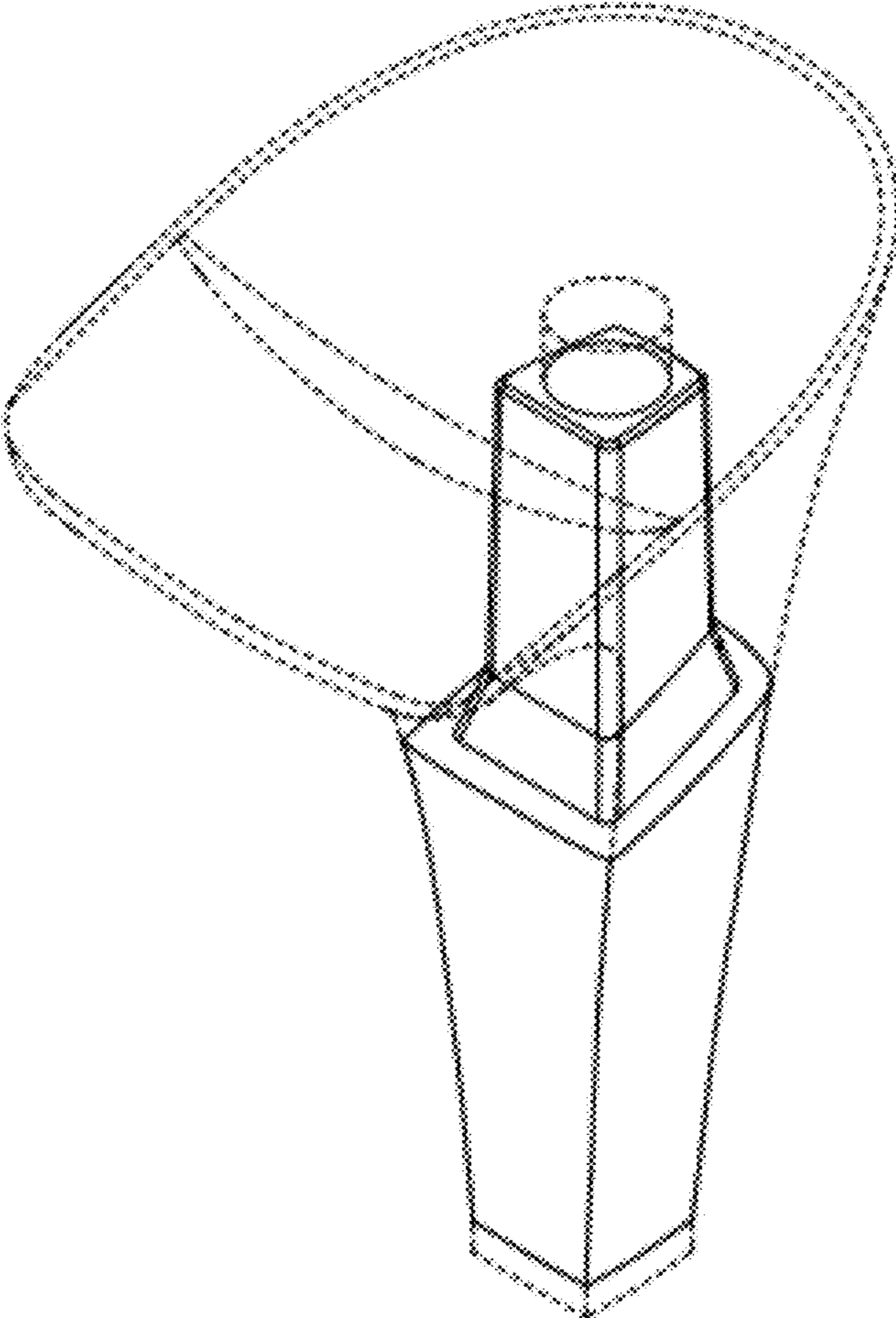


FIG.20

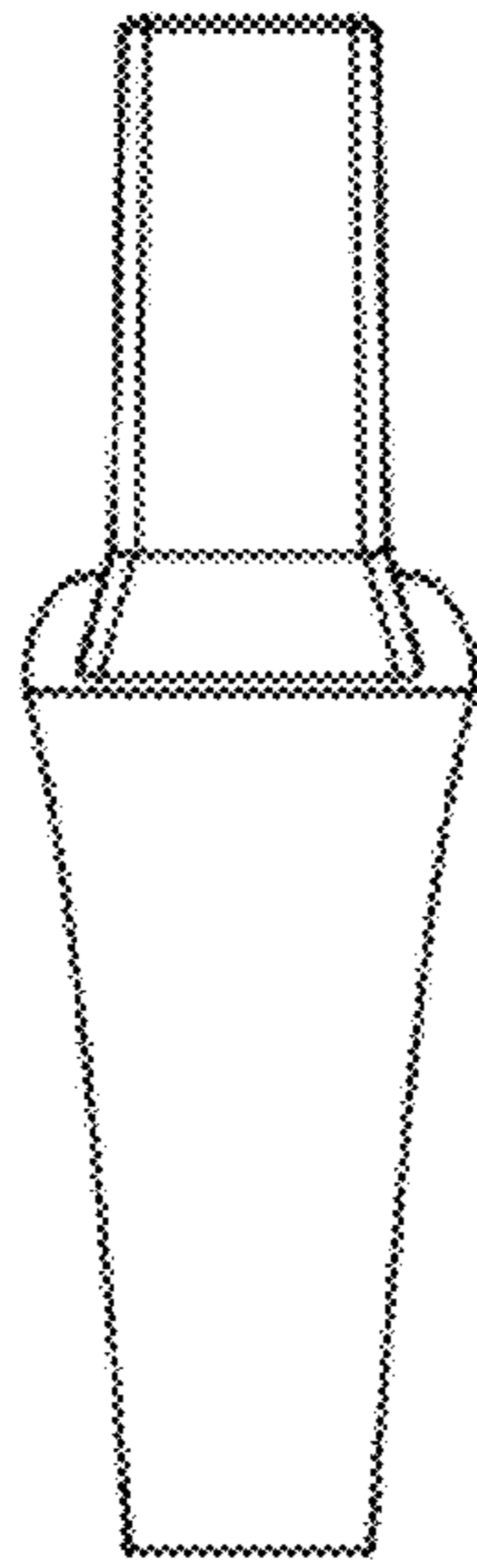


FIG. 21

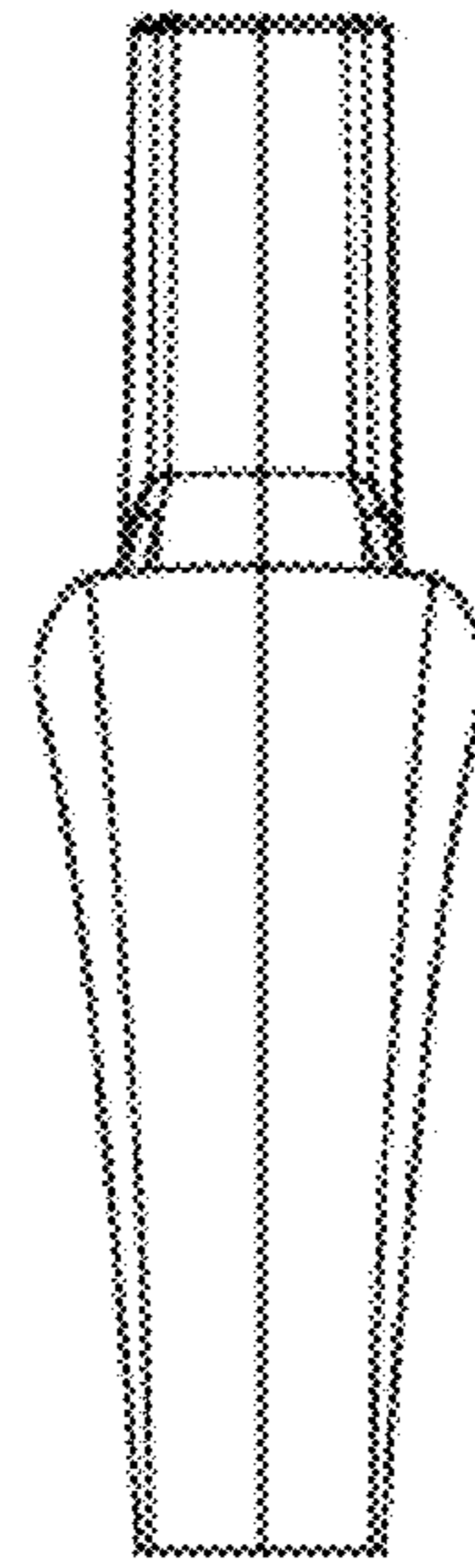


FIG. 22

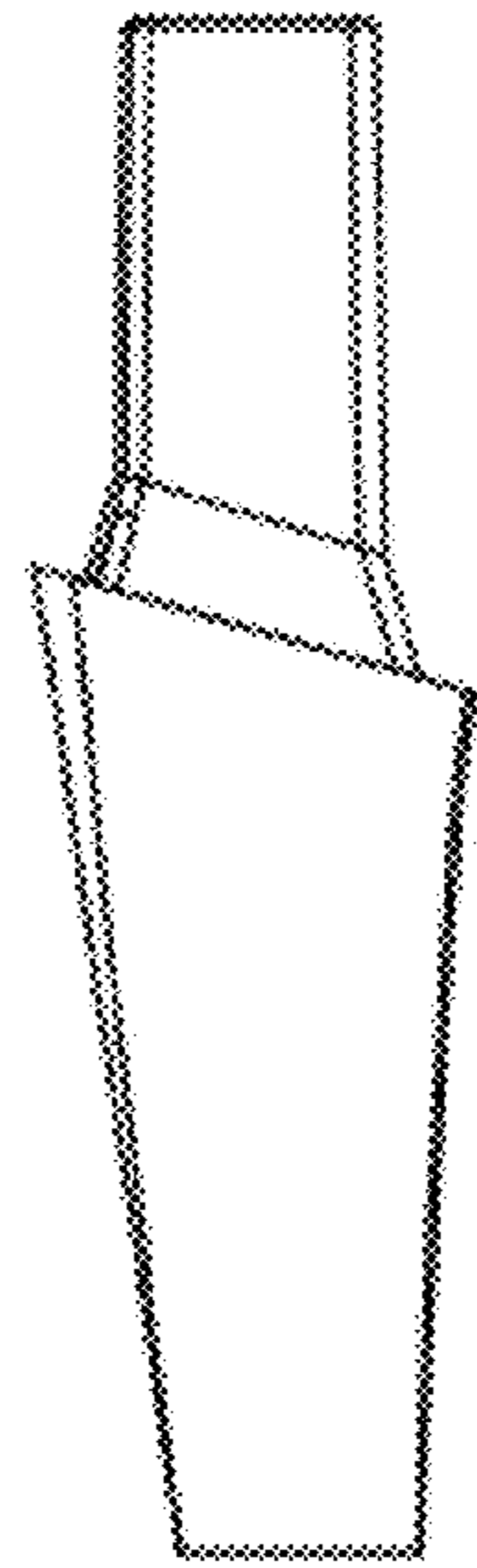


FIG. 23

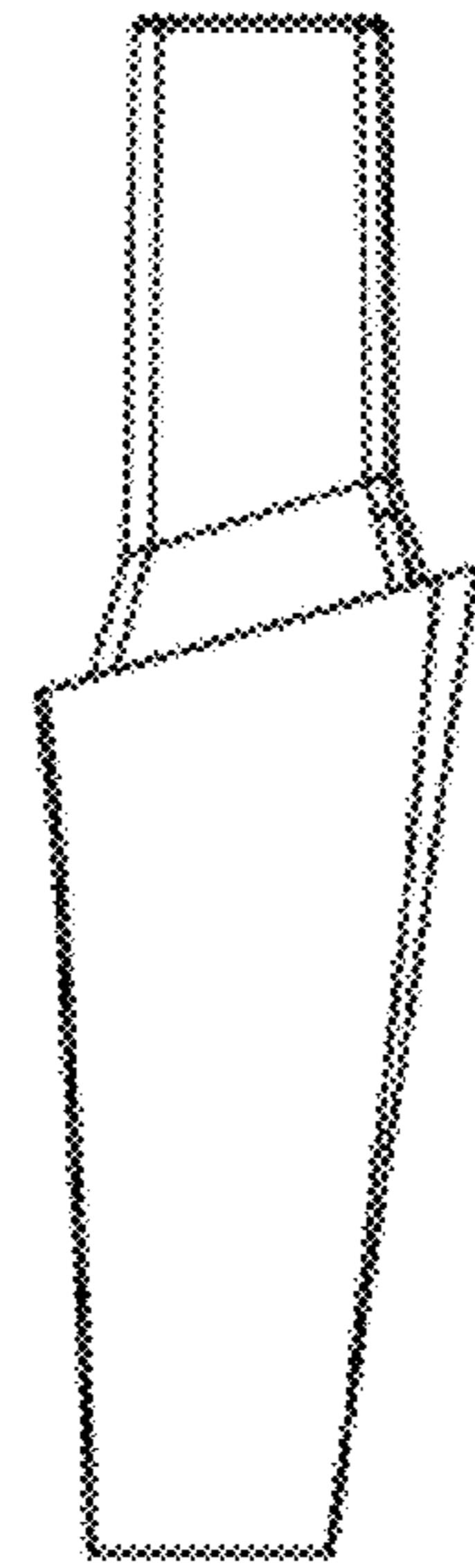


FIG. 24

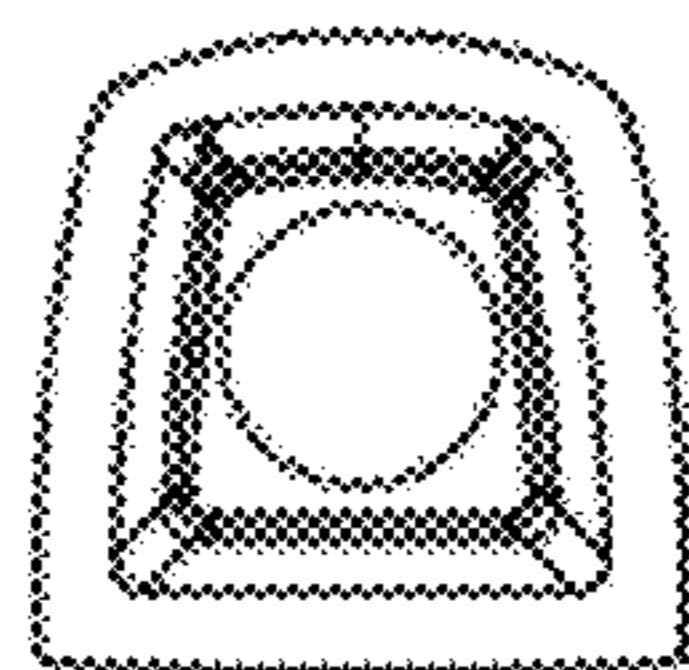


FIG. 25

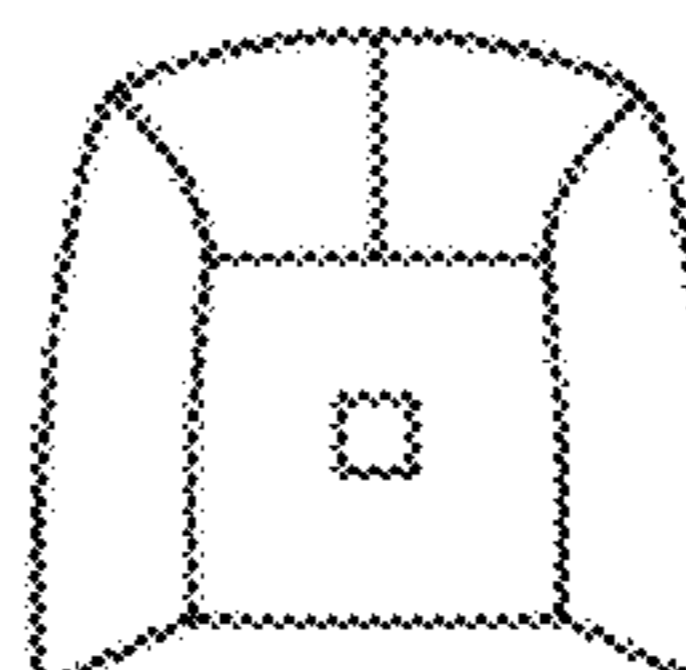


FIG. 26

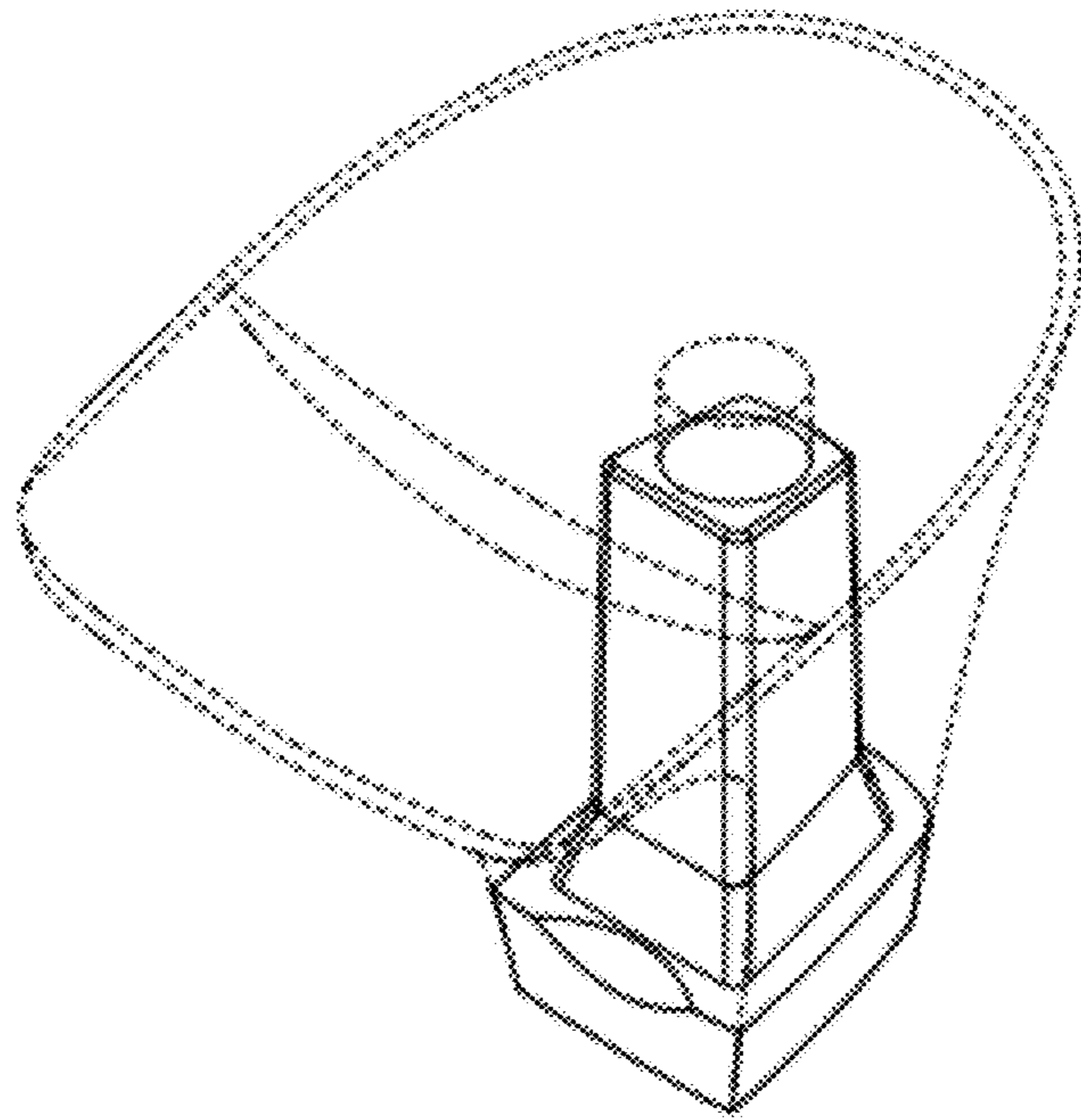


FIG.27

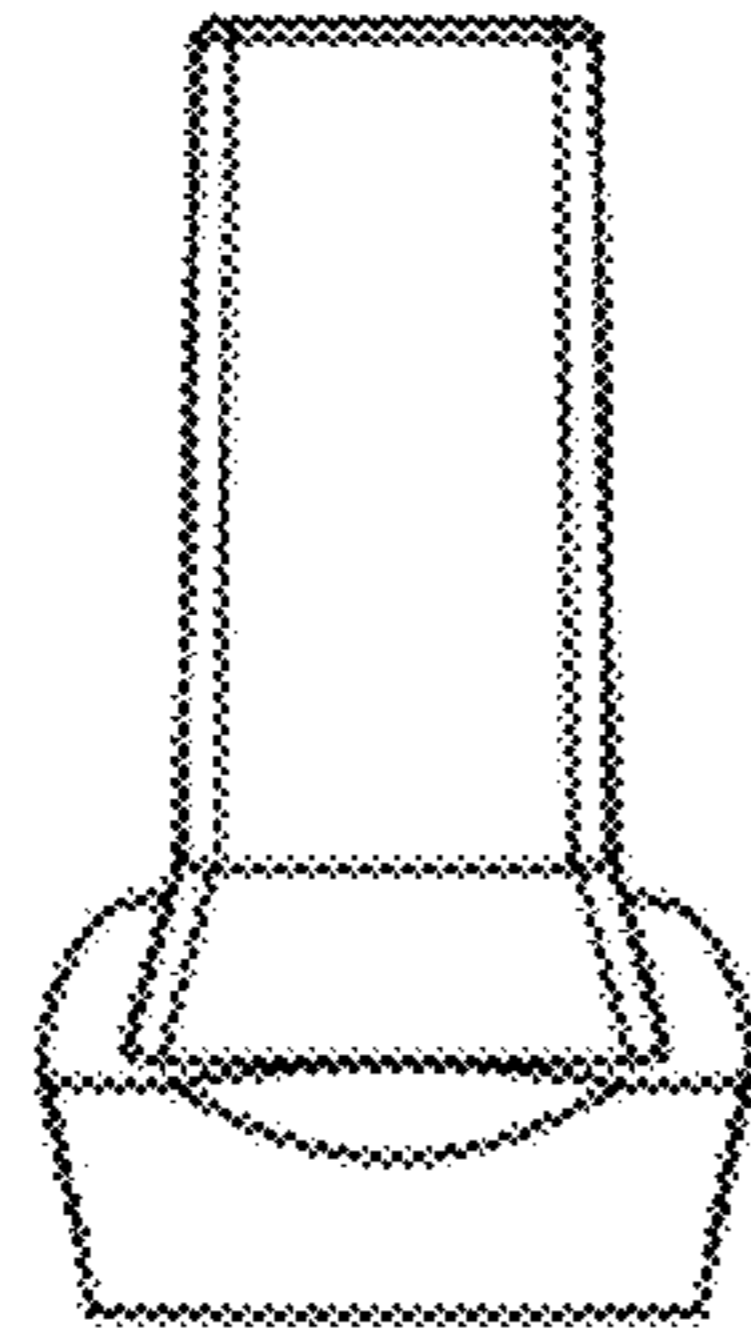


FIG. 28

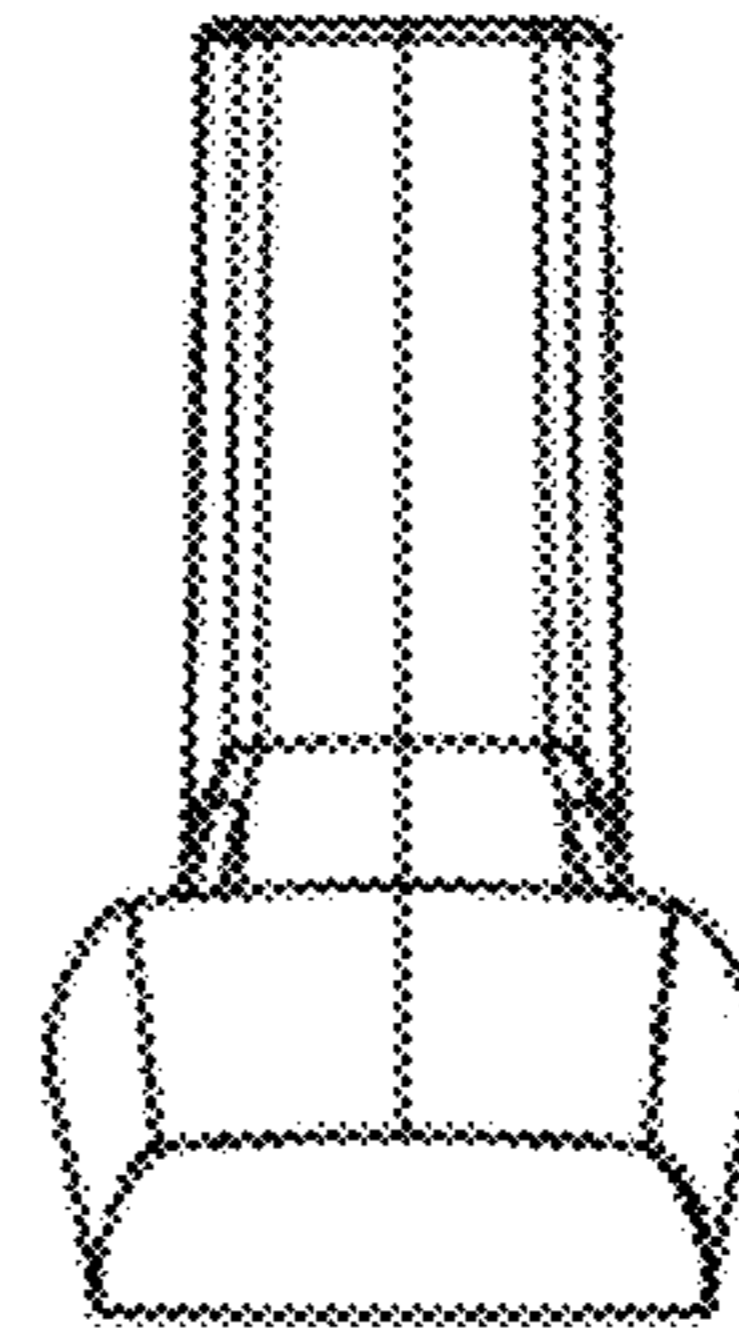


FIG. 29

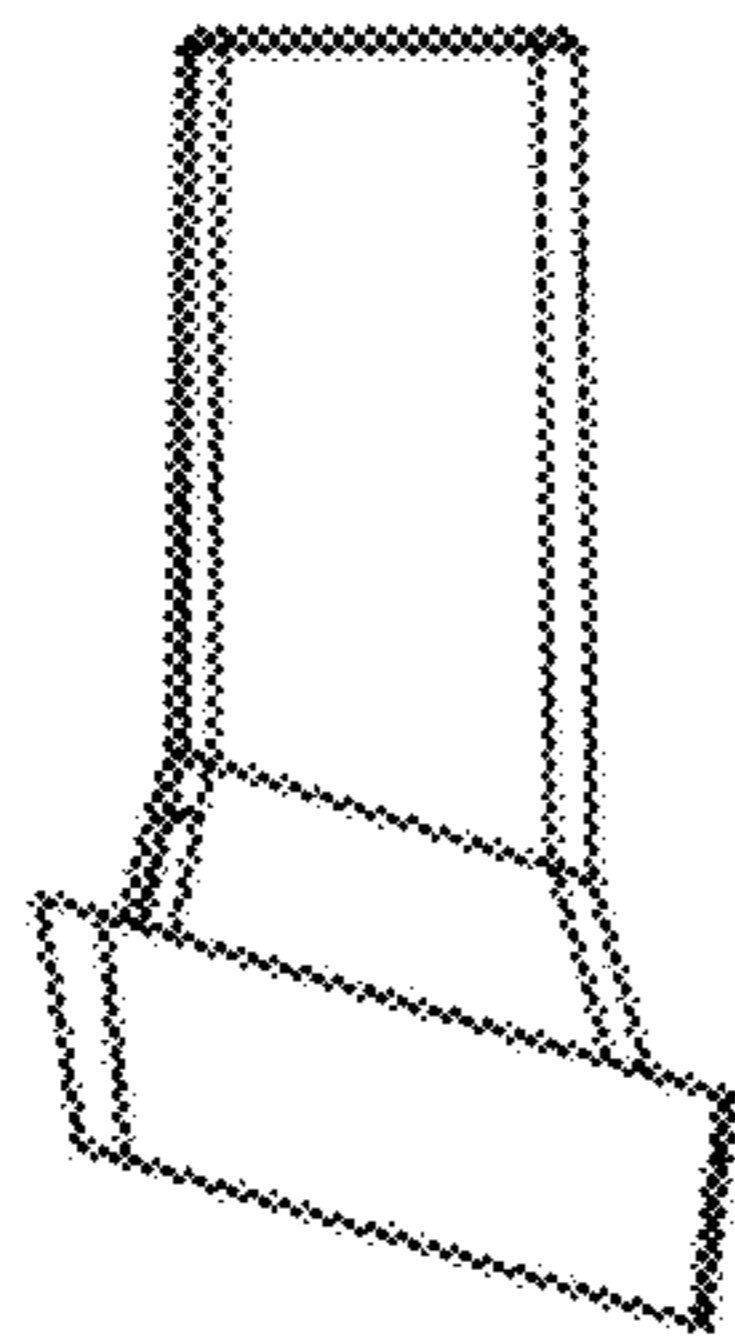


FIG. 30

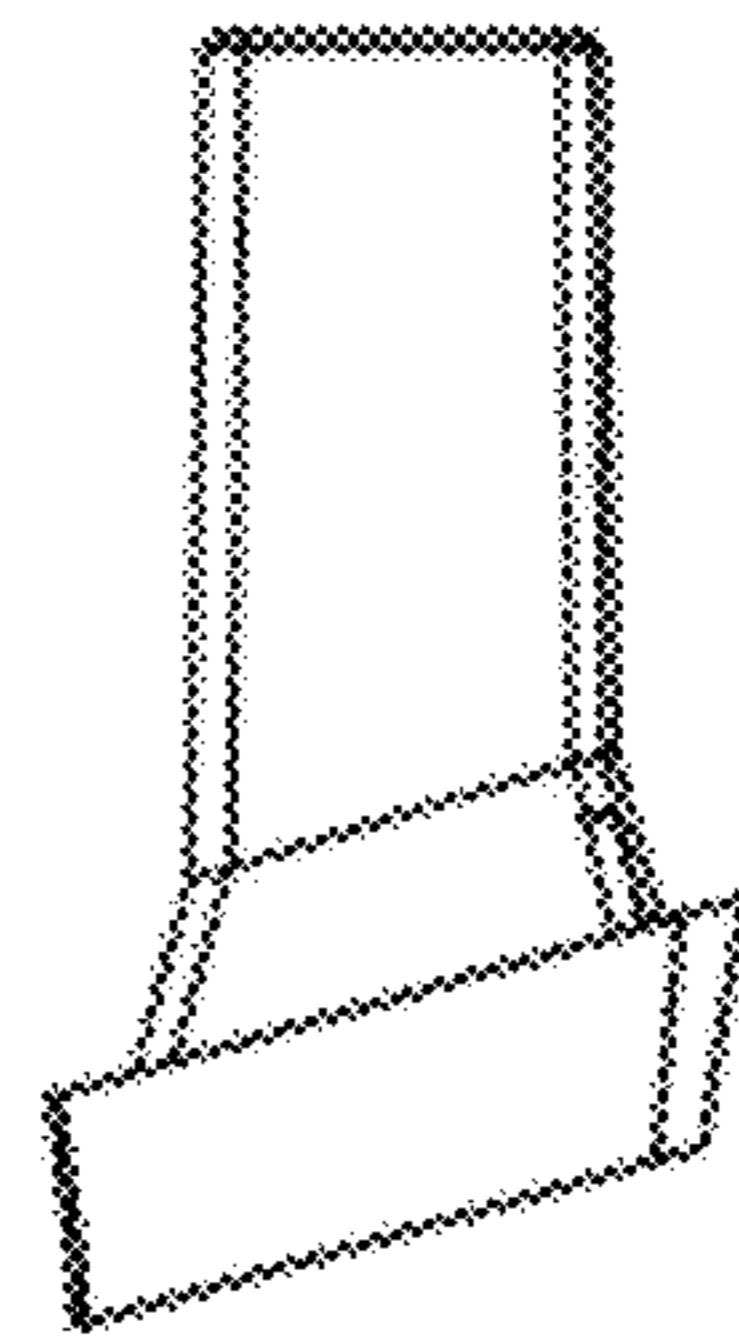


FIG. 31

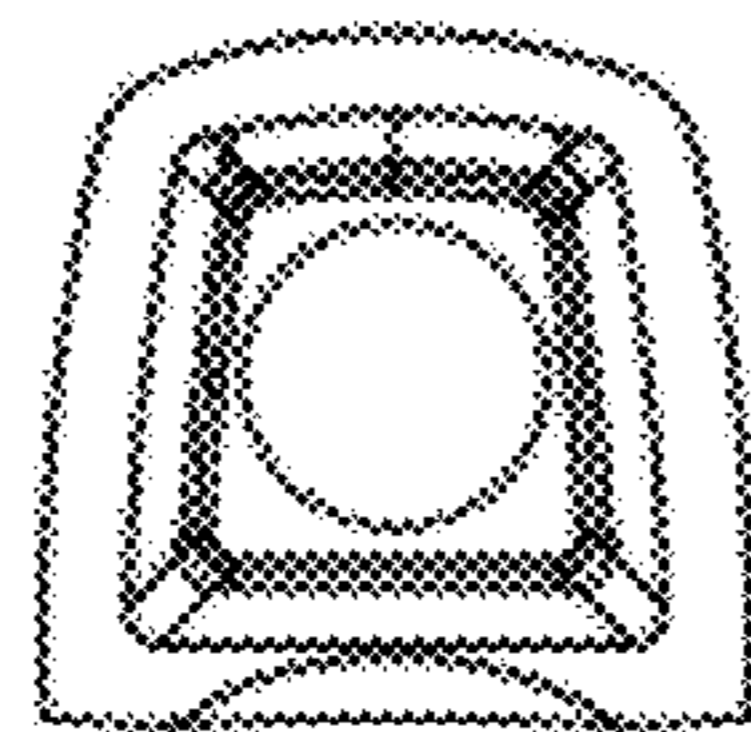


FIG. 32

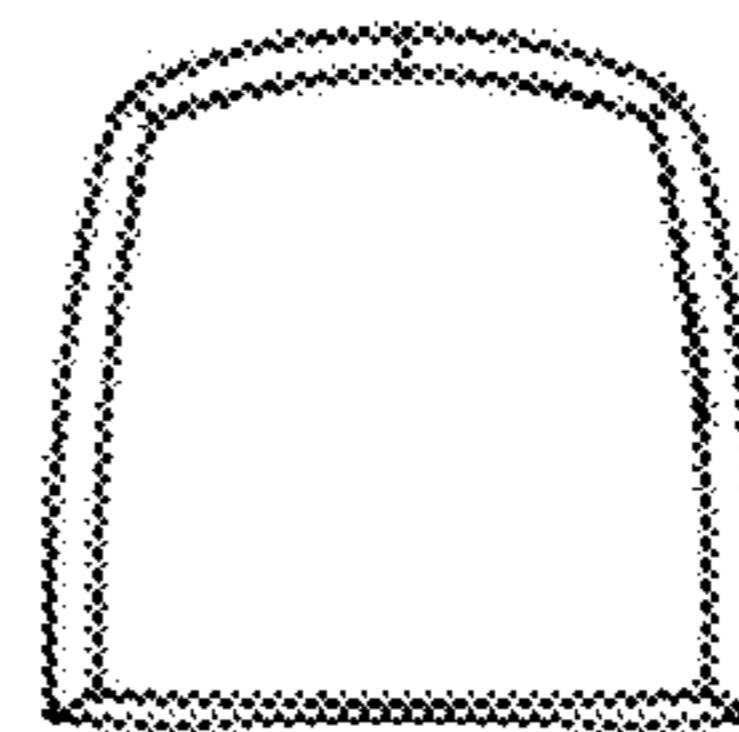


FIG. 33