



US00D665978S

(12) **United States Design Patent**  
**Green et al.**

(10) **Patent No.:** **US D665,978 S**

(45) **Date of Patent:** **\*\* Aug. 28, 2012**

(54) **SANDAL**

(76) Inventors: **Claudia J. Green**, Brooklyn, NY (US);  
**George Hairston**, Brooklyn, NY (US)

(\*\*) Term: **14 Years**

(21) Appl. No.: **29/392,843**

(22) Filed: **May 26, 2011**

(51) **LOC (9) Cl.** ..... **02-04**

(52) **U.S. Cl.** ..... **D2/917**

(58) **Field of Classification Search** ..... D2/898,  
D2/900, 904-909, 916-918, 943, 959, 961,  
D2/969, 972; 36/45, 7.3, 133-135, 77 R,  
36/59, 127, 122, 123, 7.1 R

See application file for complete search history.

(56) **References Cited**

U.S. PATENT DOCUMENTS

2,740,207	A *	4/1956	Starensier	.....	602/31
4,017,987	A	4/1977	Perez, Jr. et al.		
5,870,837	A	2/1999	Poulos		
D468,056	S *	12/2002	Goldberg et al.	.....	D28/56
D575,484	S *	8/2008	Kalinsky	.....	D2/917
D581,148	S *	11/2008	Kalinsky	.....	D2/969
D591,936	S *	5/2009	Frederiksen et al.	.....	D2/917

D593,733	S *	6/2009	Frederiksen et al.	.....	D2/917
D603,588	S *	11/2009	McClaskie	.....	D2/950
7,681,332	B2	3/2010	Allen		
D646,870	S *	10/2011	Patterson	.....	D2/917
D654,670	S *	2/2012	Nelson	.....	D2/917
2009/0113759	A1	5/2009	Heid		

\* cited by examiner

*Primary Examiner* — Robert M Spear

*Assistant Examiner* — Rashida C McCoy

(57) **CLAIM**

The ornamental design for a sandal, as shown and described.

**DESCRIPTION**

FIG. 1 is a right elevation view of a sandal showing our new design;

FIG. 2 is a left elevation view thereof;

FIG. 3 is a front elevation view thereof;

FIG. 4 is a rear elevation view thereof;

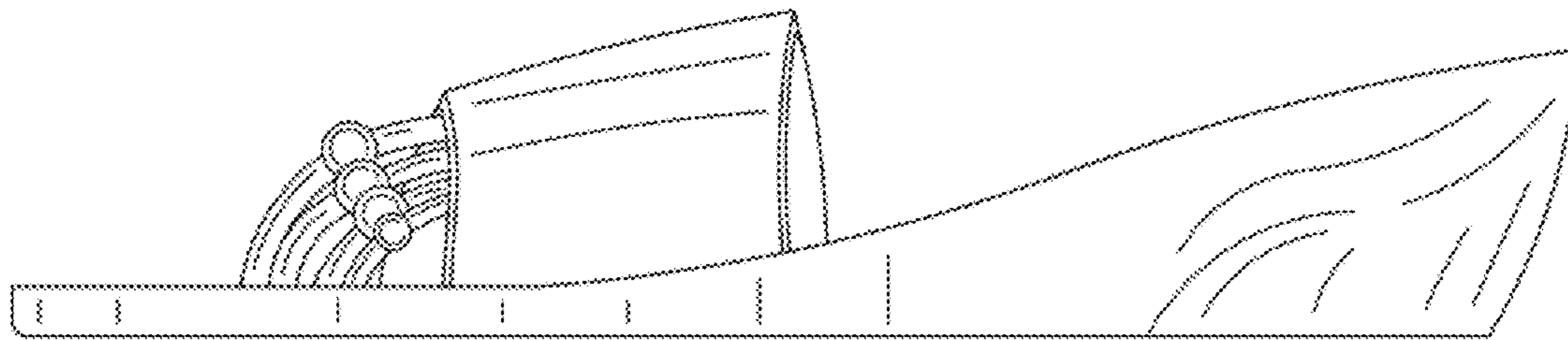
FIG. 5 is a top plan view thereof;

FIG. 6 is a bottom plan view thereof;

FIG. 7 is an isometric view thereof; and,

FIG. 8 is a perspective view of another embodiment thereof without beads, all other views being substantially the same as FIGS. 1-6, the only difference being the removal of the beads.

**1 Claim, 5 Drawing Sheets**



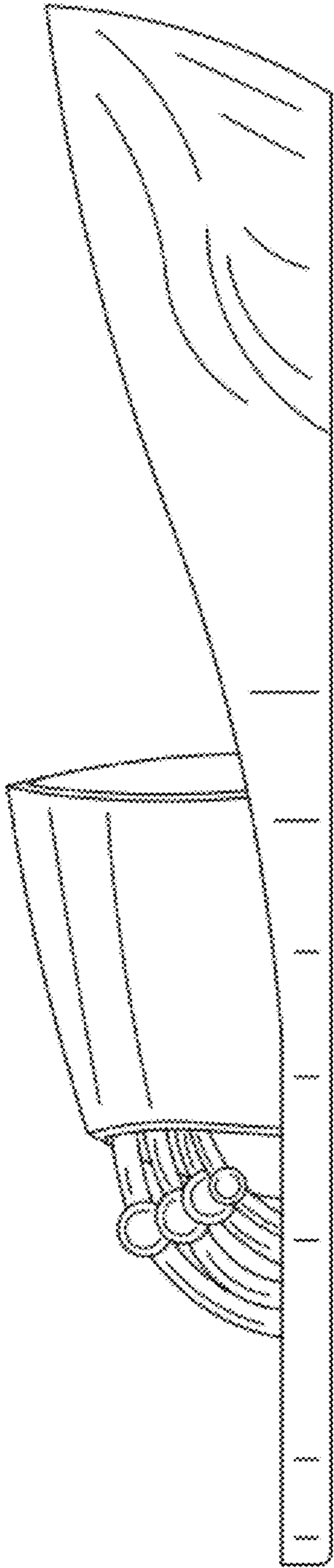


FIG. 1

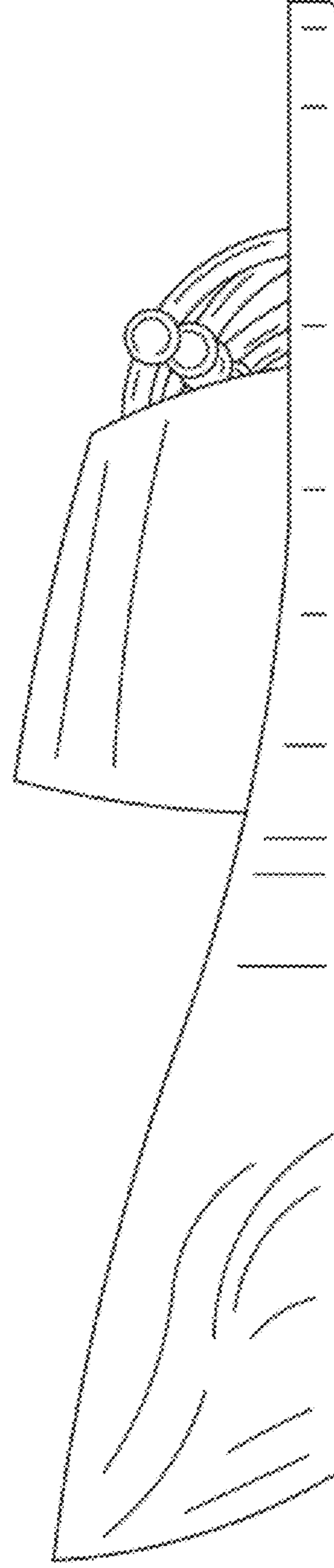


FIG. 2

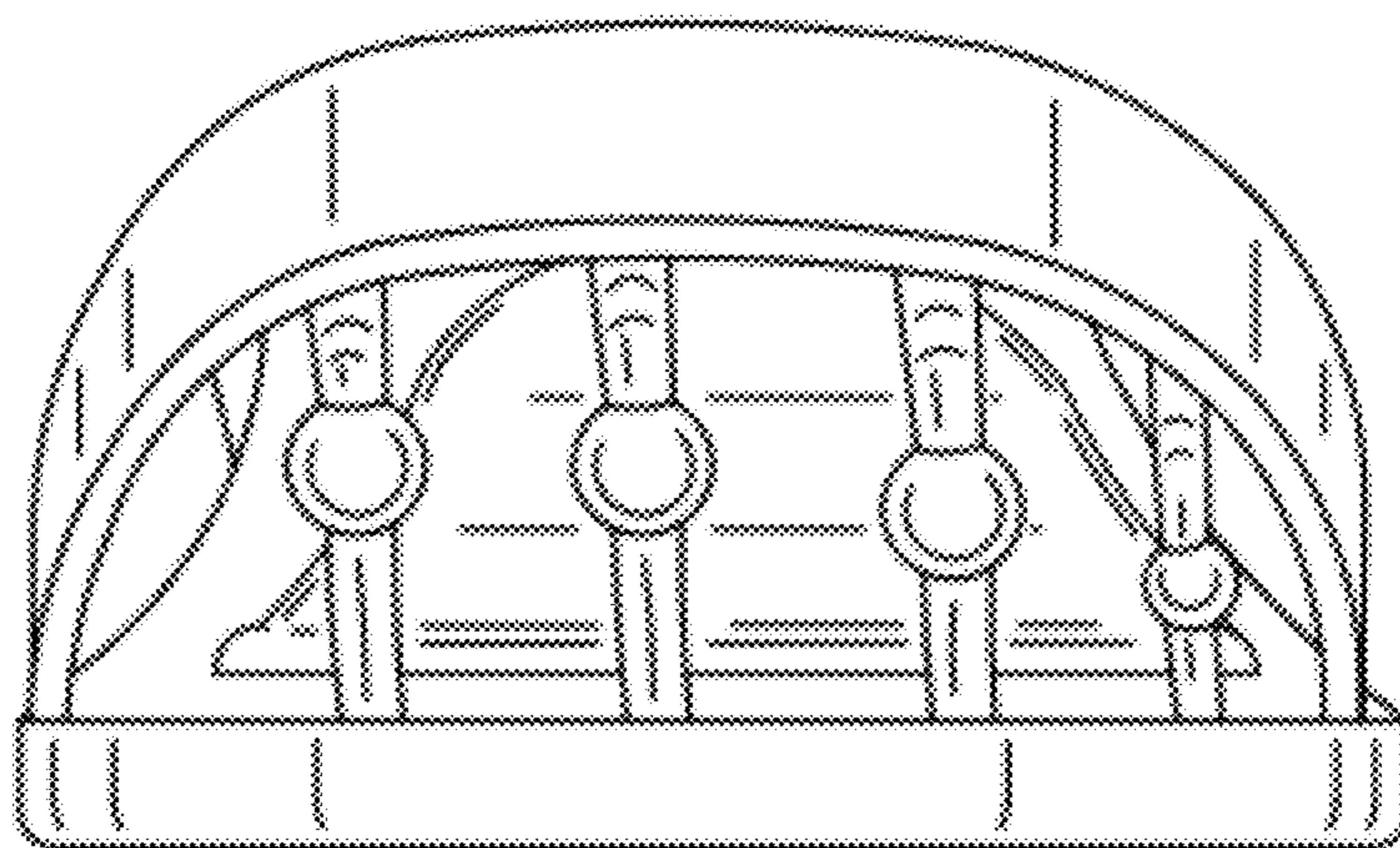


FIG. 3

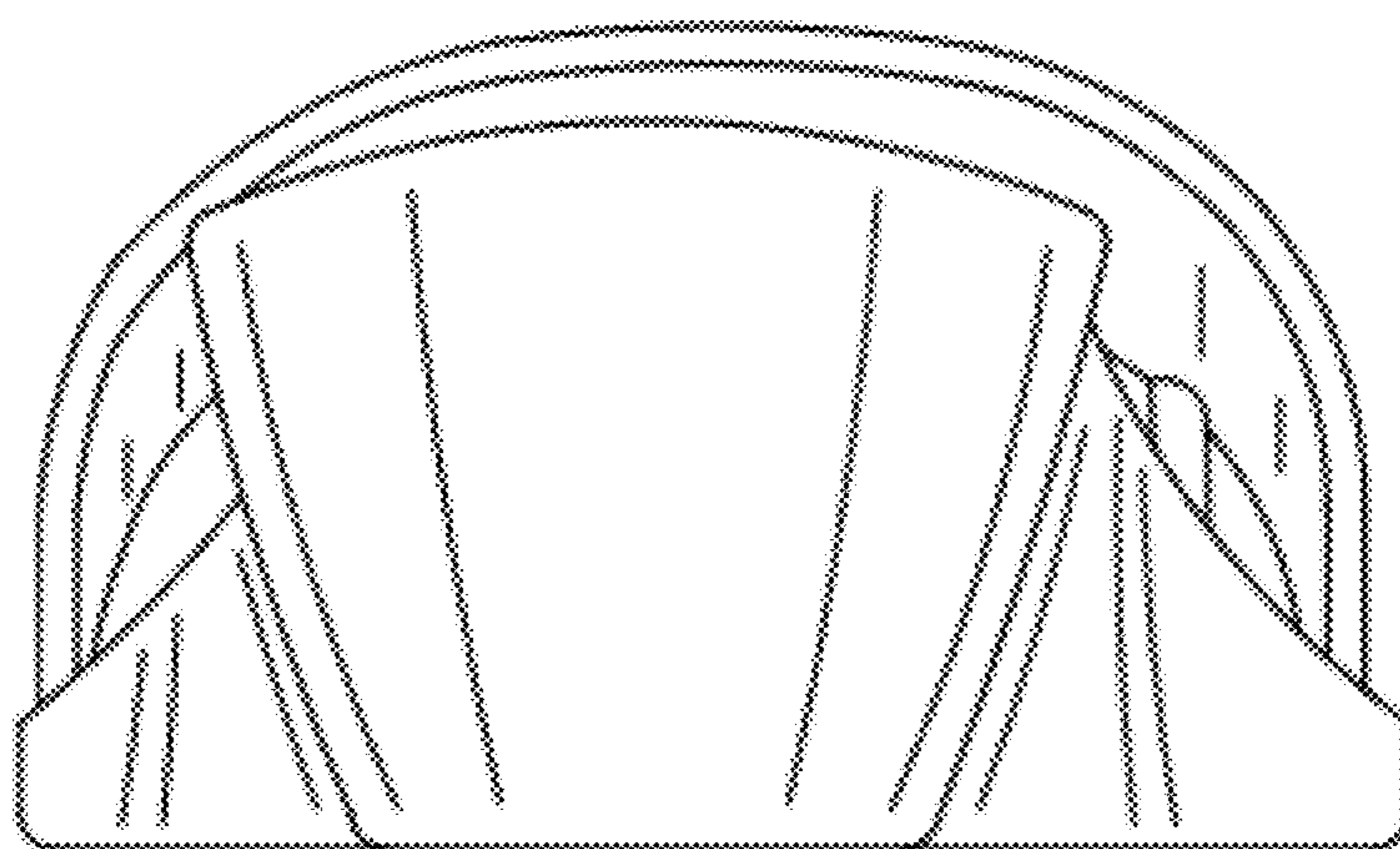


FIG. 4

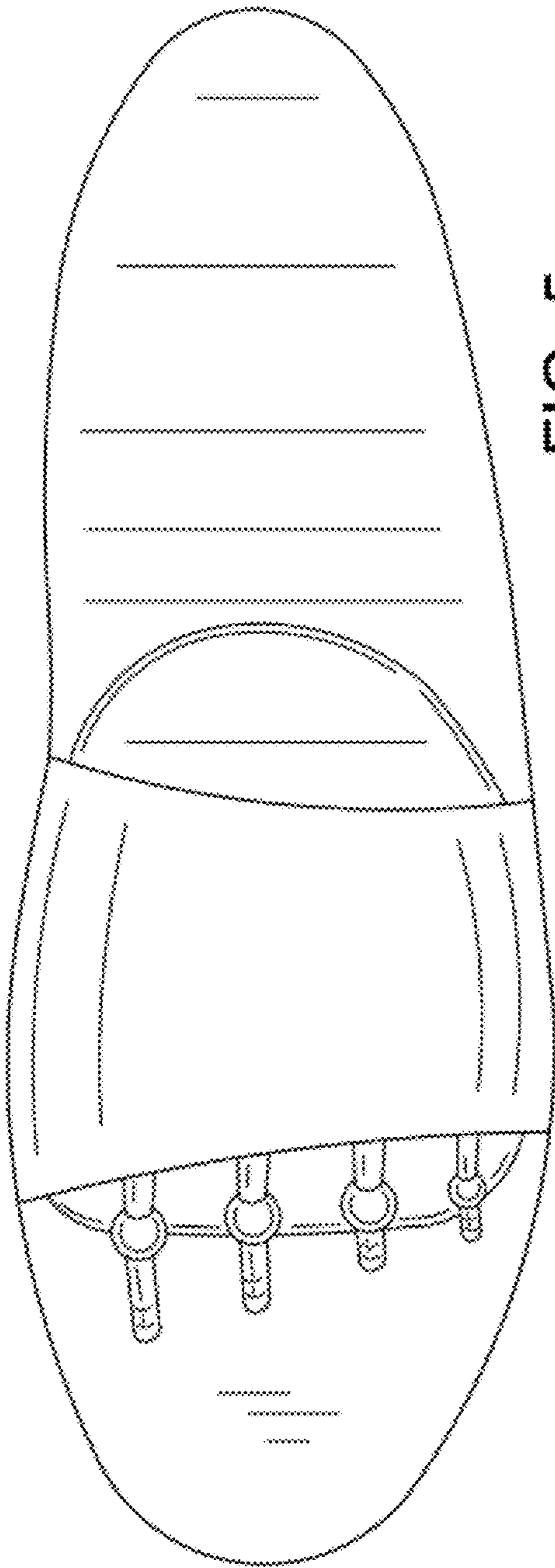


FIG. 5

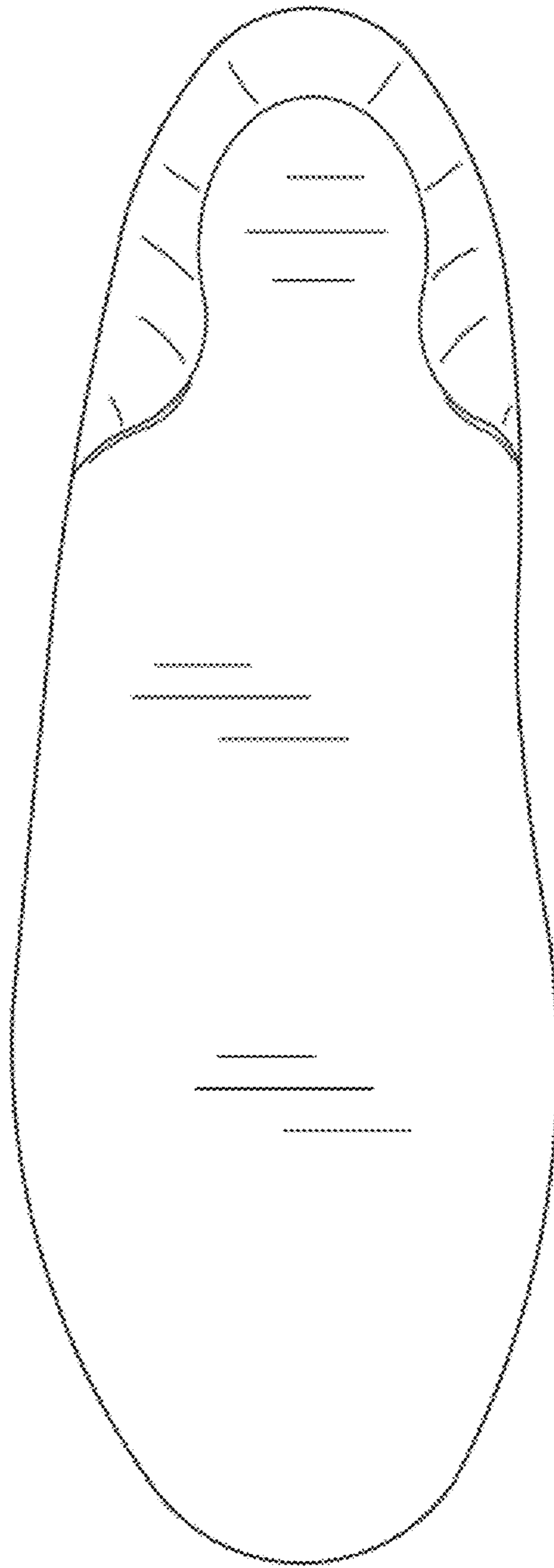


FIG. 6

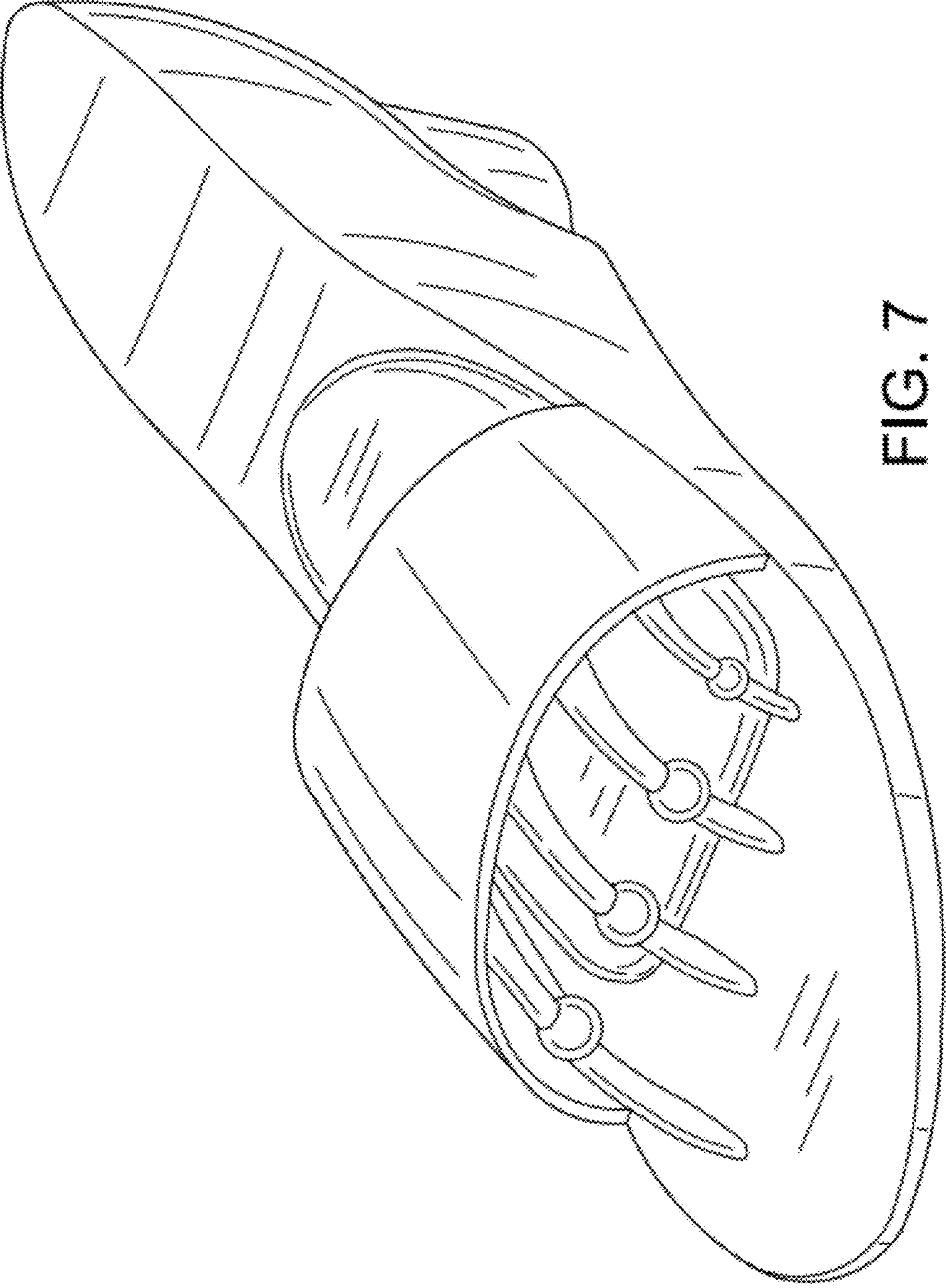


FIG. 7

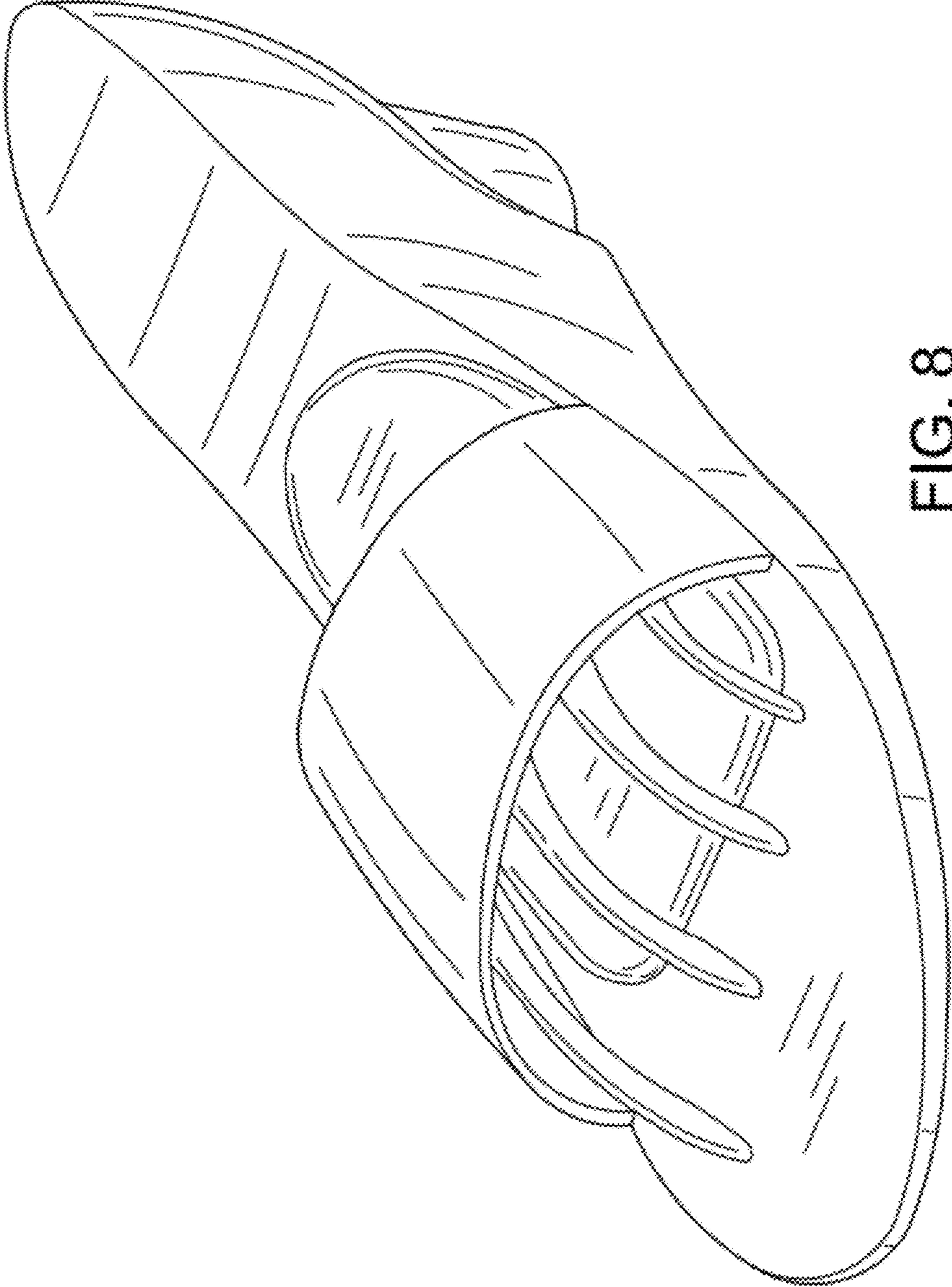


FIG. 8