



US00D665963S

(12) **United States Design Patent**
Liljedahl

(10) **Patent No.:** **US D665,963 S**

(45) **Date of Patent:** **** Aug. 21, 2012**

(54) **SUPPORT STRAP**

(75) Inventor: **Barbro Liljedahl**, Lulea (SE)

(73) Assignee: **Liko Research & Development AB**
(SE)

(**) Term: **14 Years**

(21) Appl. No.: **29/354,651**

(22) Filed: **Jan. 27, 2010**

(30) **Foreign Application Priority Data**

Nov. 26, 2009 (EM) 001640731

(51) **LOC (9) Cl.** **12-05**

(52) **U.S. Cl.** **D34/28**

(58) **Field of Classification Search** 5/81.1,
5/510; D34/28; 16/DIG. 28; D8/14, 88,
D8/89; 294/149, 15, 26, 19.1, 68.1, 152,
294/155, 165, 170

See application file for complete search history.

(56) **References Cited**

U.S. PATENT DOCUMENTS

2,723,067	A *	11/1955	Fretz	294/152
3,031,359	A *	4/1962	Blank et al.	229/117.26
3,143,266	A *	8/1964	Imatake	294/152
D203,208	S *	12/1965	Hillman	D34/28
5,232,258	A *	8/1993	Rossi	294/152
5,297,834	A *	3/1994	Vanarnem	294/140
5,439,265	A *	8/1995	Plante	294/152
D362,327	S *	9/1995	Nelson	D34/28
D376,692	S *	12/1996	Hartman	D3/315
5,963,995	A *	10/1999	Glass	5/81.1 R
D475,495	S *	6/2003	Edwards	D34/28
D475,496	S *	6/2003	Edwards	D34/28
D600,424	S *	9/2009	Pouliot et al.	D34/28

* cited by examiner

Primary Examiner — Cynthia Ramirez

(74) *Attorney, Agent, or Firm* — Dinsmore & Shohl, LLP

(57) **CLAIM**

The ornamental design for a support strap, as shown and described.

DESCRIPTION

FIG. 1 is a top view of a first embodiment of a support strap with a pocket in a closed position;

FIG. 2 is a top perspective view of the support strap of FIG. 1 with a pocket in an open position;

FIG. 3 is a bottom view of the support strap of FIG. 1;

FIG. 4 is a bottom perspective view of the support strap of FIG. 1;

FIG. 5 is a side view of the support strap of FIG. 1 with the pocket in an open position, the opposite side being a mirror image thereof;

FIG. 6 is a side view of the support strap of FIG. 1 with the pocket in a closed position, the opposite side being a mirror image thereof;

FIG. 7 is a top view of a second embodiment of a support strap with a pocket in a closed position;

FIG. 8 is a top perspective view of the support strap of FIG. 7 with a pocket in an open position;

FIG. 9 is a bottom view of the support strap of FIG. 7;

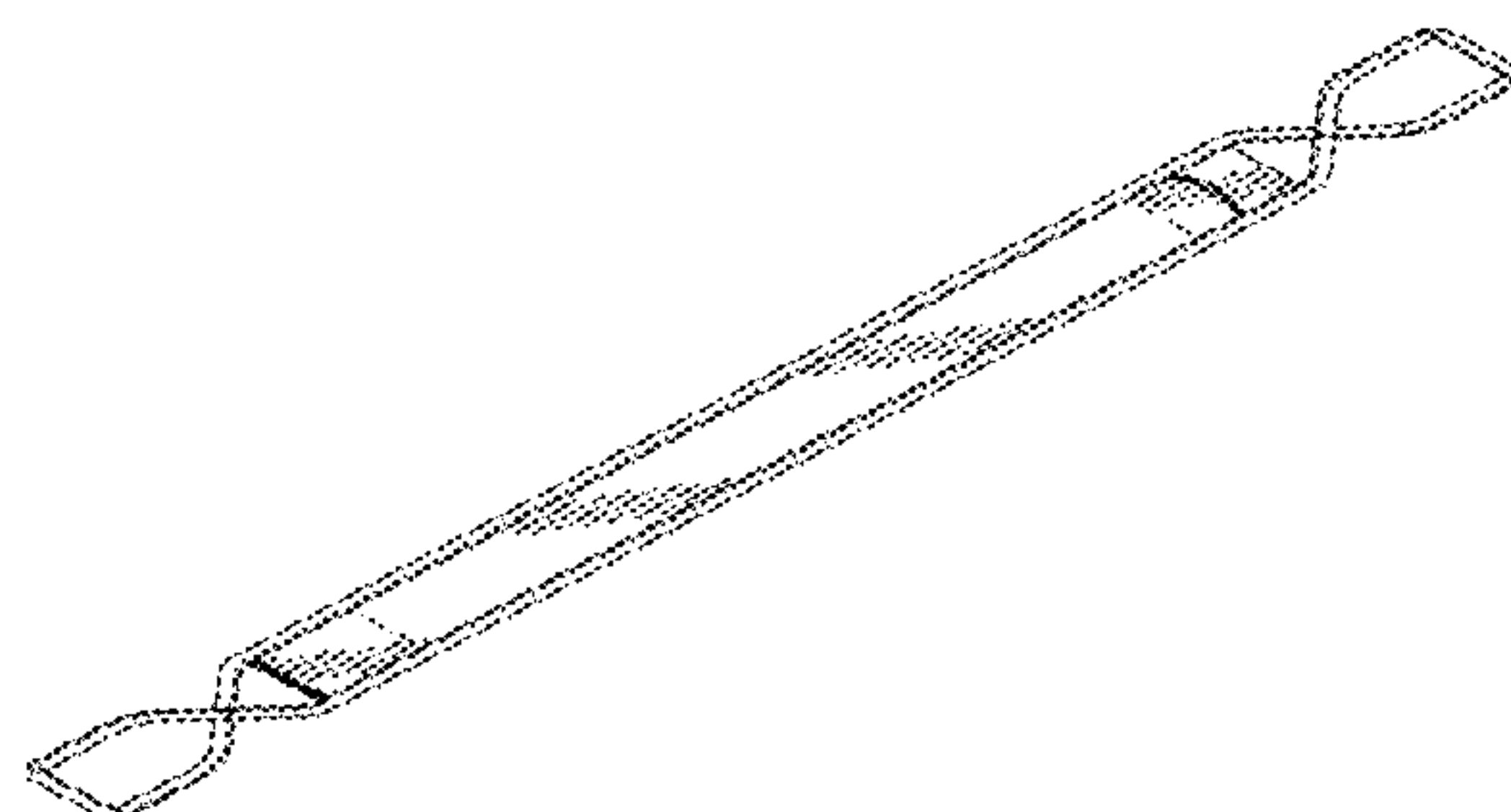
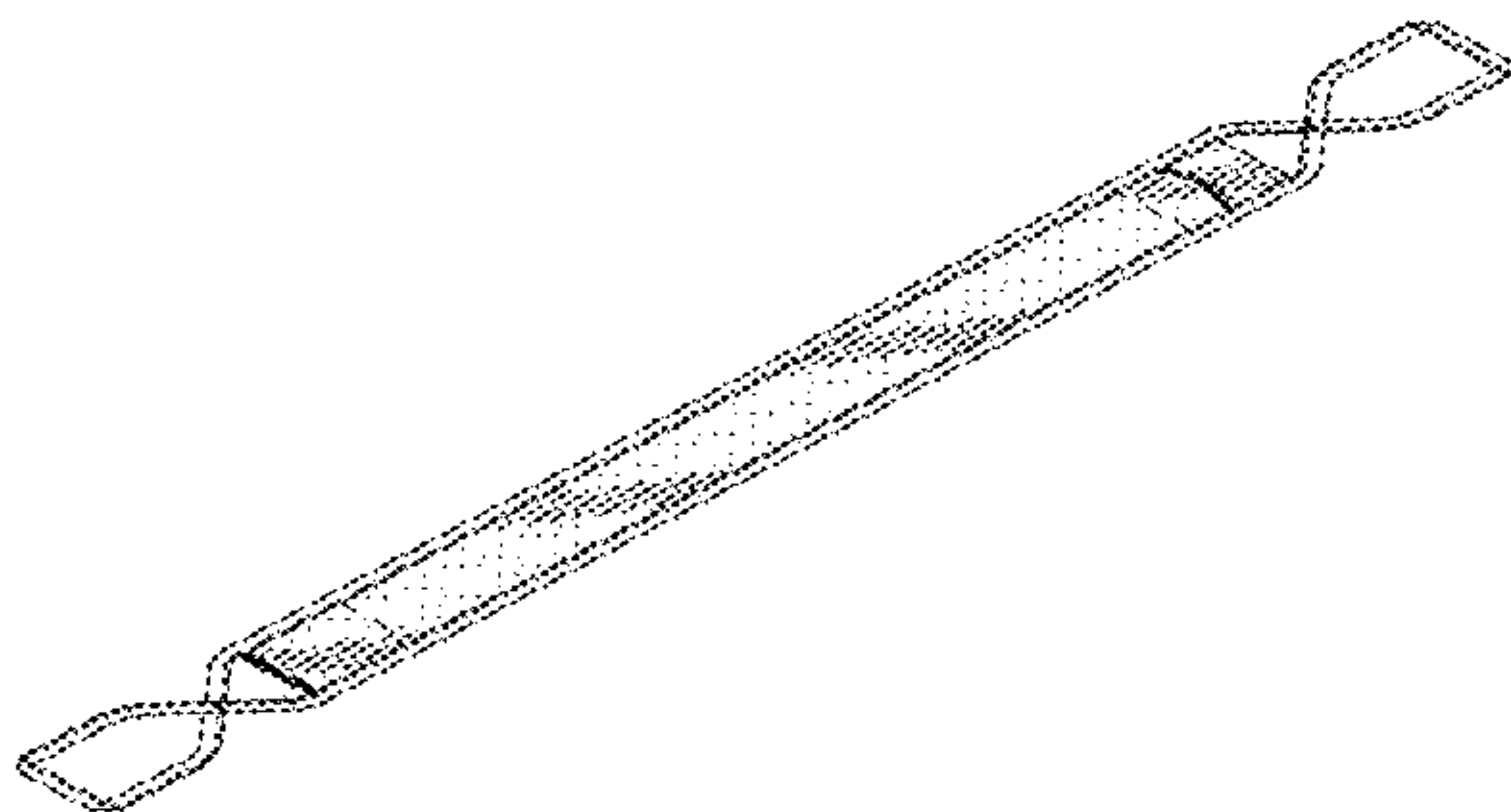
FIG. 10 is a bottom perspective view of the support strap of FIG. 7;

FIG. 11 is a side view of the support strap of FIG. 7 with the pocket in an open position, the opposite side being a mirror image thereof; and,

FIG. 12 is a side view of the support strap of FIG. 7 with the pocket in a closed position, the opposite side being a mirror image thereof.

The phantom lines and areas shown in the figures, including those lines representing stitching, are for illustrative purposes only and form no part of the claimed design. The stipple pattern shown in FIGS. 1-5 is indicative of a contrast in materials.

1 Claim, 6 Drawing Sheets



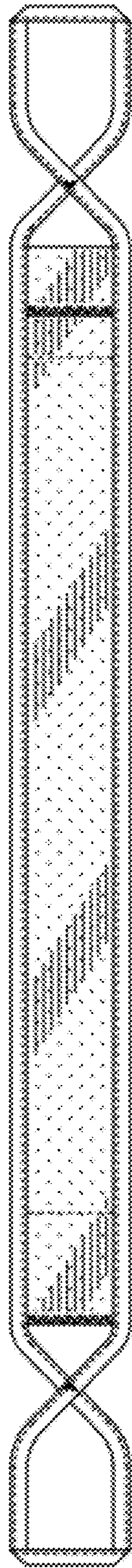


FIG. 1

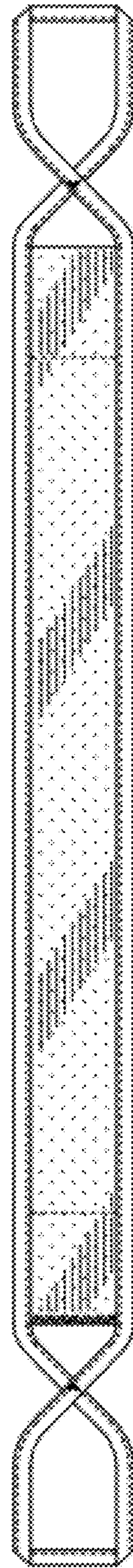


FIG. 3

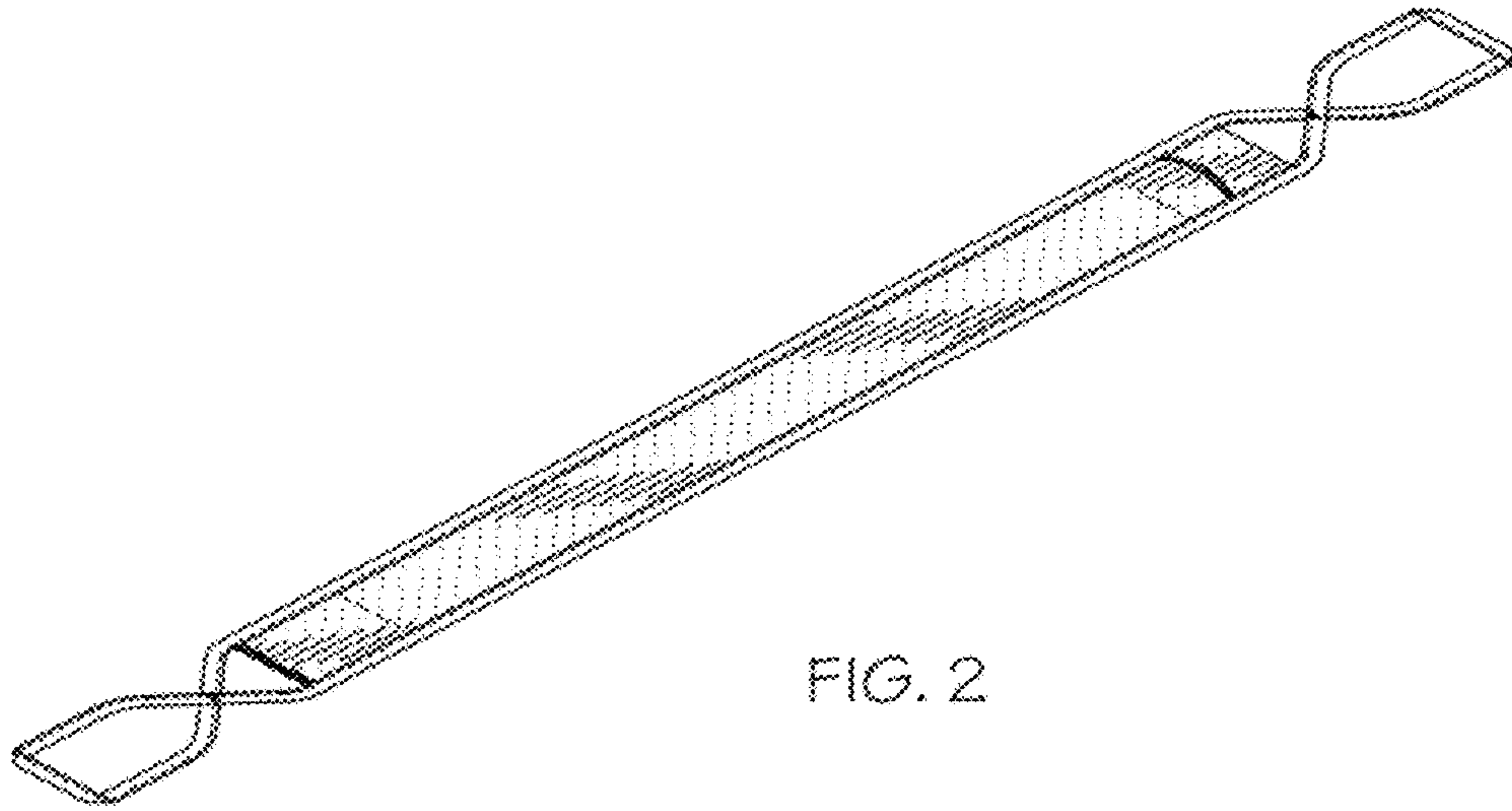


FIG. 2

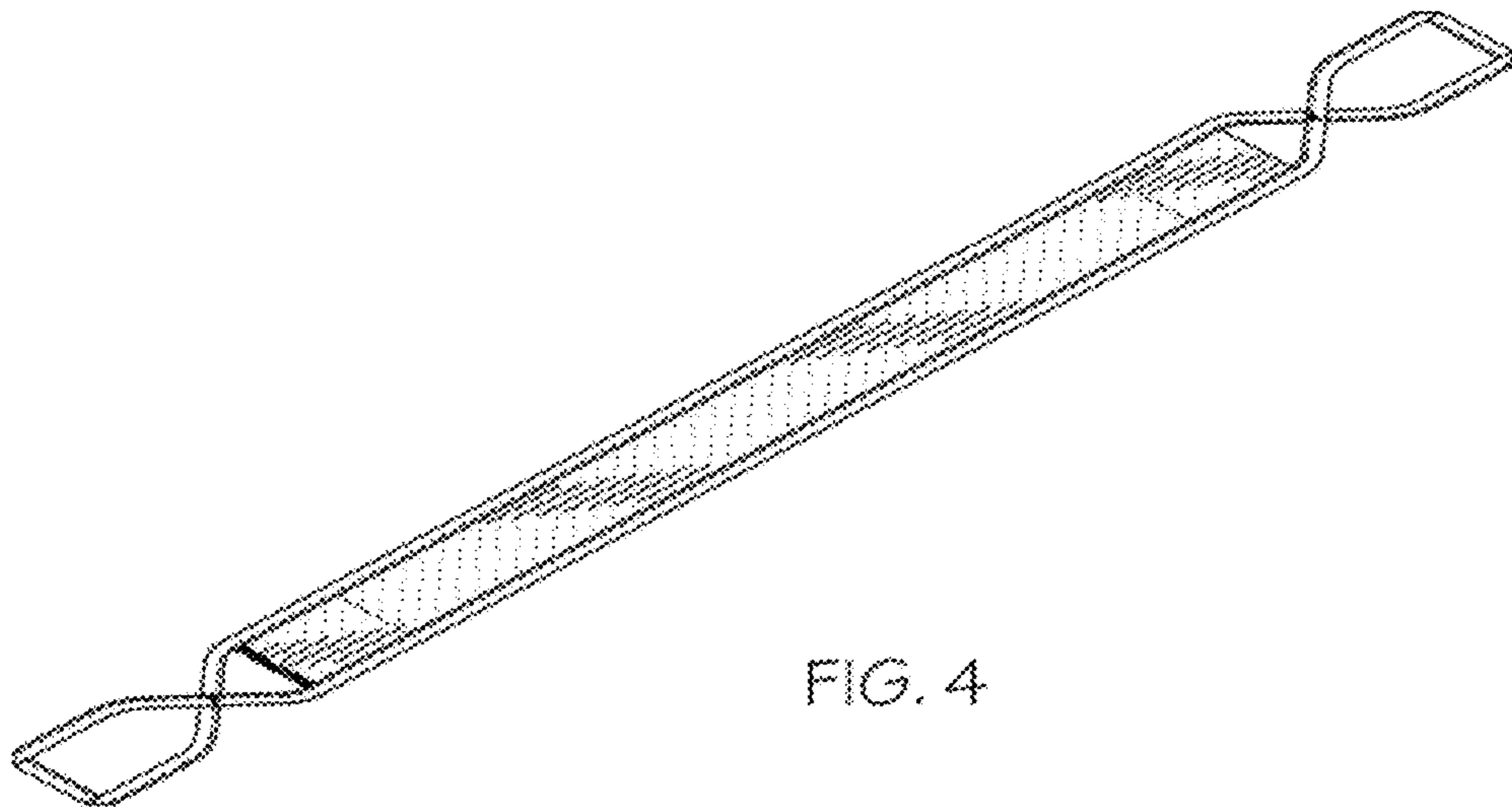


FIG. 4



FIG. 5



FIG. 6

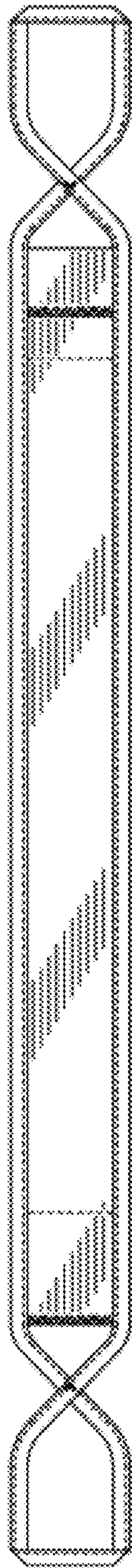


FIG. 7

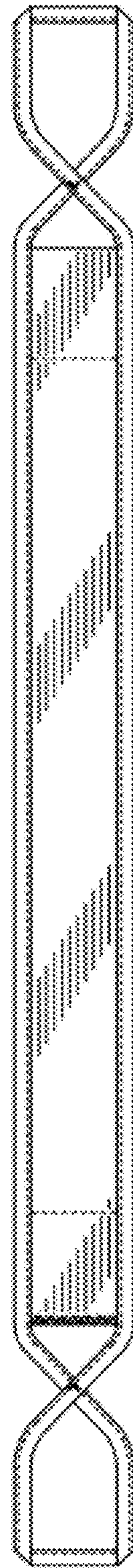


FIG. 9

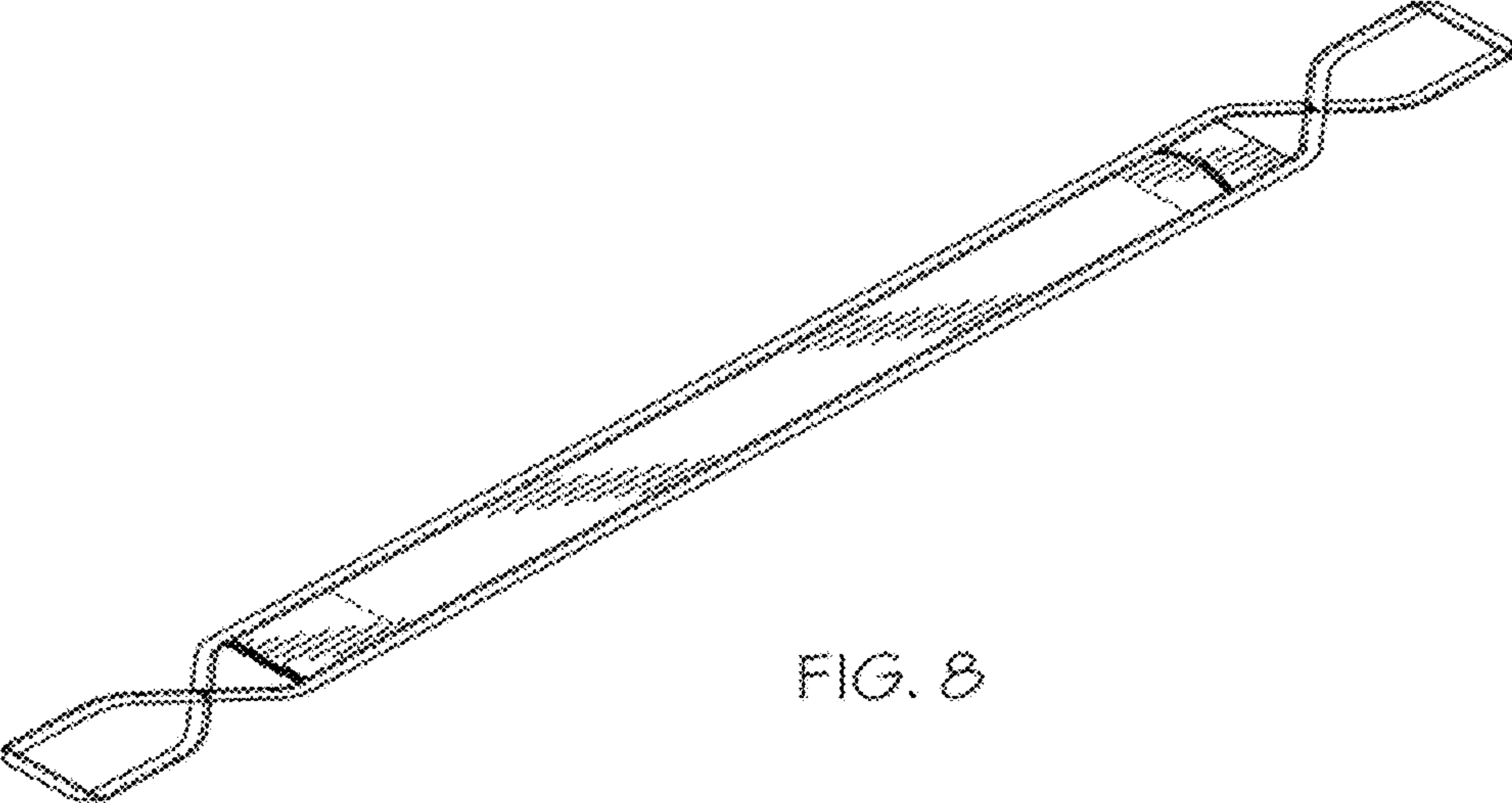


FIG. 8

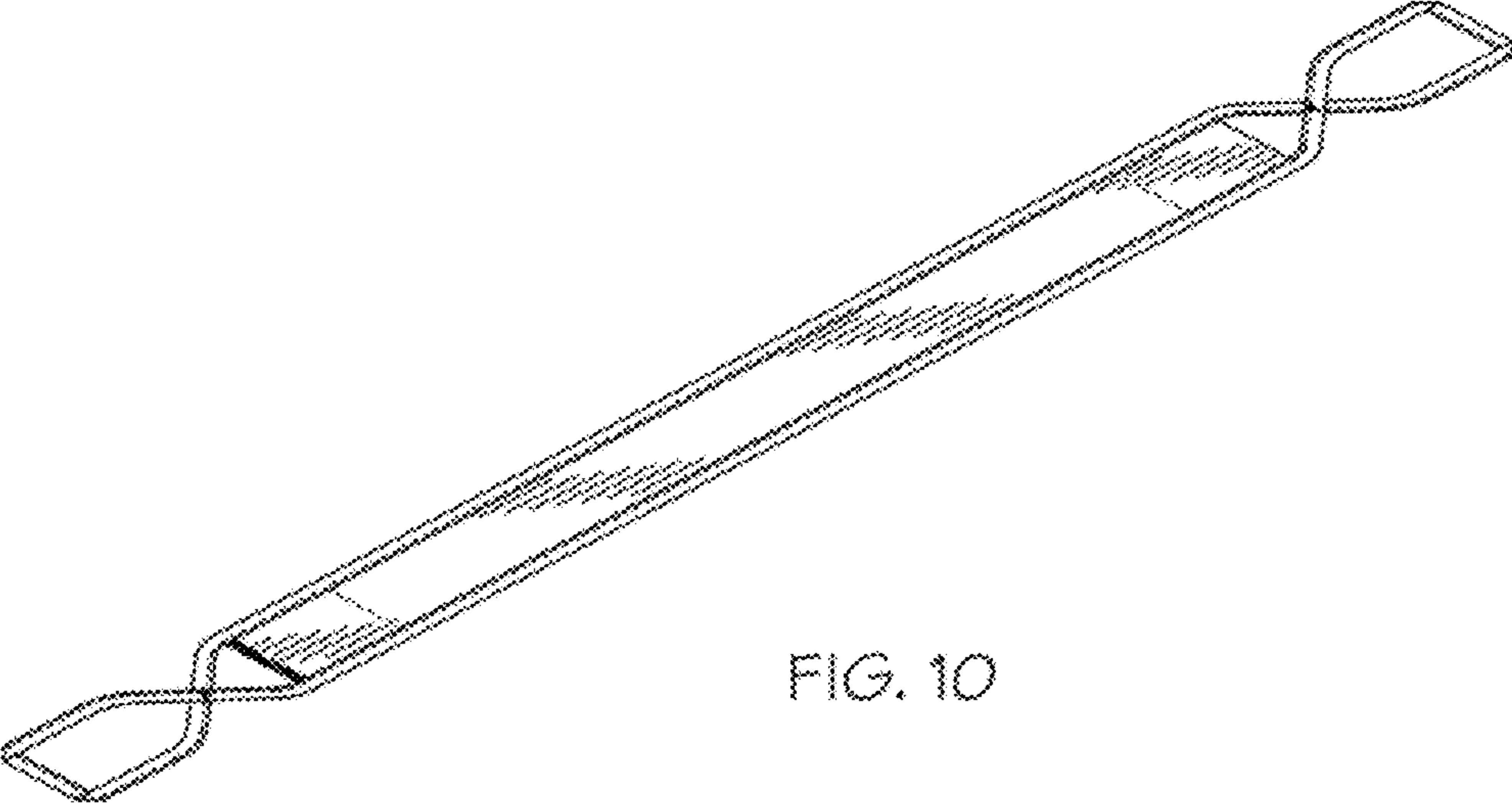


FIG. 10



FIG. 11



FIG. 12