

US00D665955S

(12) **United States Design Patent**  
**DeWall**

(10) **Patent No.:** **US D665,955 S**

(45) **Date of Patent:** **\*\* Aug. 21, 2012**

(54) **DRYWALL TOOL CLEANING AND  
RECYCLING APPARATUS**

D393,332 S \* 4/1998 Nygren ..... D32/1  
7,886,943 B1 \* 2/2011 Denkins et al. .... 222/608  
2011/0036375 A1\* 2/2011 Dewall ..... 134/13

(76) Inventor: **Harold O. DeWall**, Escondido, CA (US)

\* cited by examiner

(\*\*) Term: **14 Years**

*Primary Examiner* — T. Chase Nelson  
*Assistant Examiner* — Kathleen M Sims

(21) Appl. No.: **29/374,164**

(74) *Attorney, Agent, or Firm* — Loyal McKinley Hanson

(22) Filed: **Jul. 11, 2011**

(57) **CLAIM**

(51) **LOC (9) Cl.** ..... **15-05**

I claim the ornamental design for a drywall tool cleaning and recycling apparatus, as shown and described.

(52) **U.S. Cl.** ..... **D32/1**

(58) **Field of Classification Search** ..... D32/1,  
D32/25; 134/13, 104.4, 111, 113, 198-199,  
134/200

**DESCRIPTION**

See application file for complete search history.

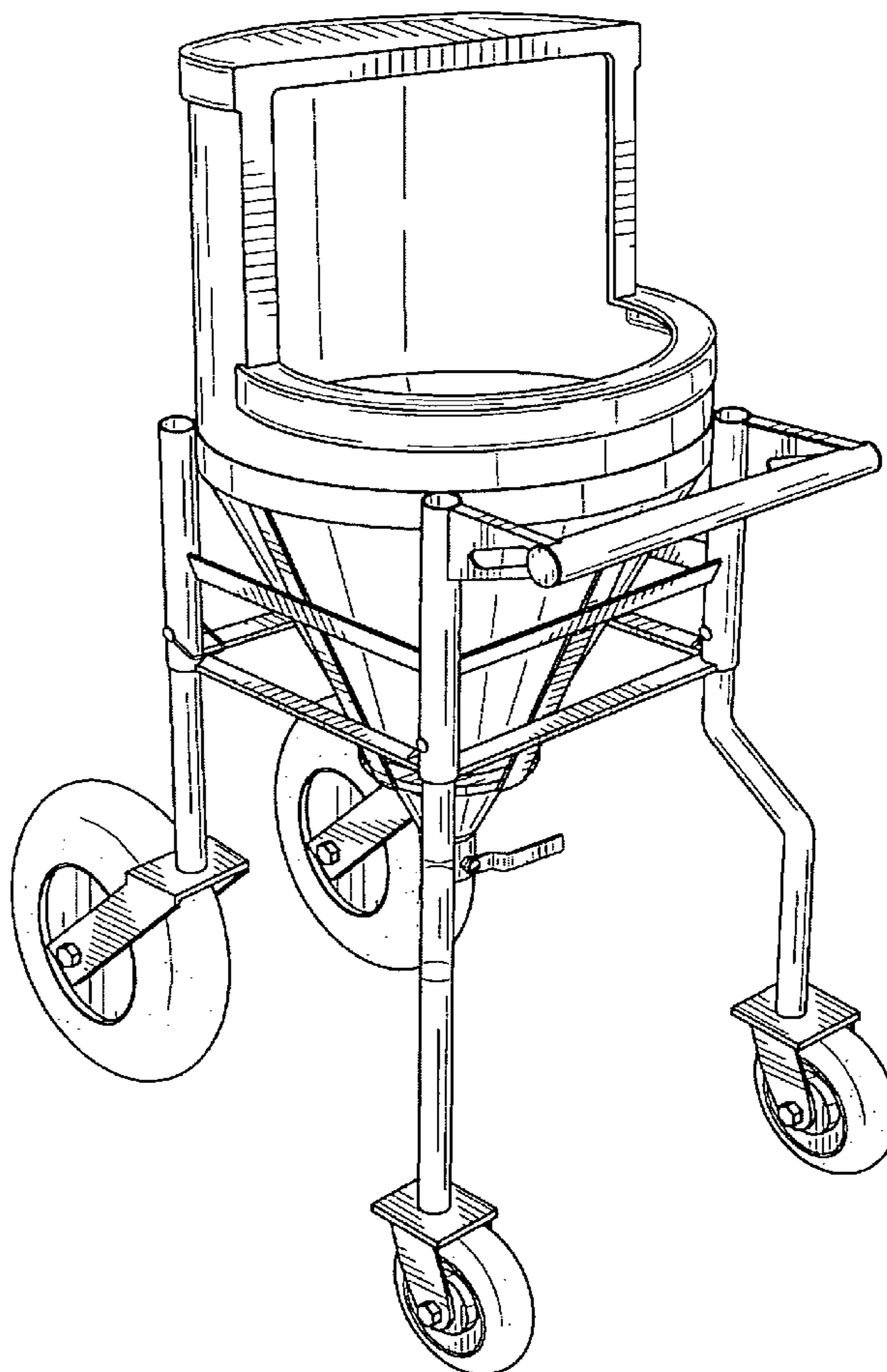
FIG. 1 of the drawings is perspective view showing the front, top, and right side of a drywall tool cleaning and recycling apparatus embodying the design of my invention; FIG. 2 is a front elevation view of the apparatus; FIG. 3 is a right side elevation view; FIG. 4 is a top plan view; FIG. 5 is a left side elevation view; FIG. 6 is a back elevation view; and, FIG. 7 is a bottom view.

(56) **References Cited**

**U.S. PATENT DOCUMENTS**

2,702,557 A \* 2/1955 Wiskerchen ..... 134/52  
4,793,369 A \* 12/1988 Robb et al. .... 134/170  
D302,611 S \* 8/1989 Stern ..... D32/1  
5,385,159 A \* 1/1995 Mead ..... 134/104.4  
5,485,860 A \* 1/1996 Robb et al. .... 134/166 C  
D371,647 S \* 7/1996 Overmyer ..... D32/1

**1 Claim, 4 Drawing Sheets**



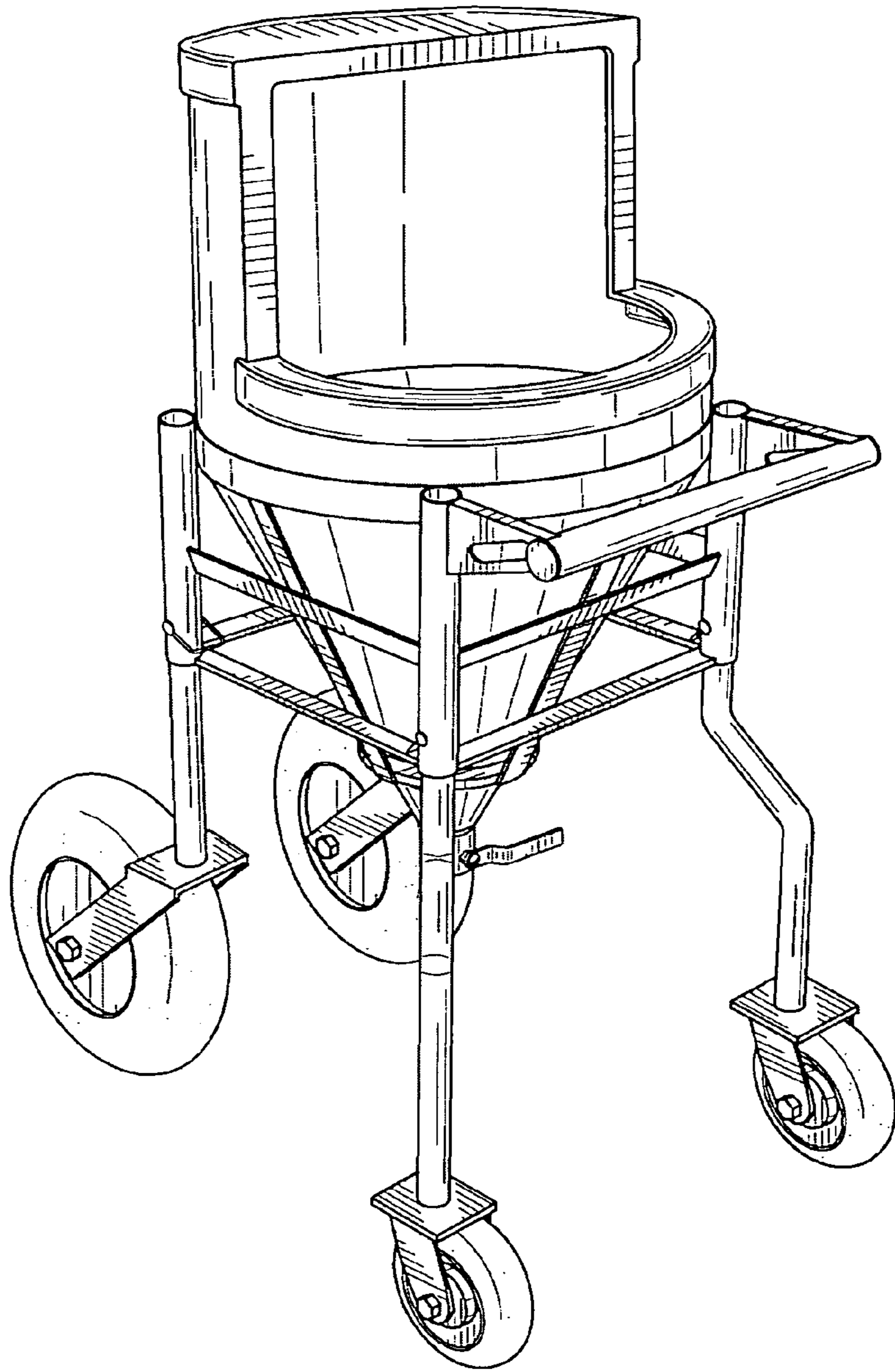


Fig. 1

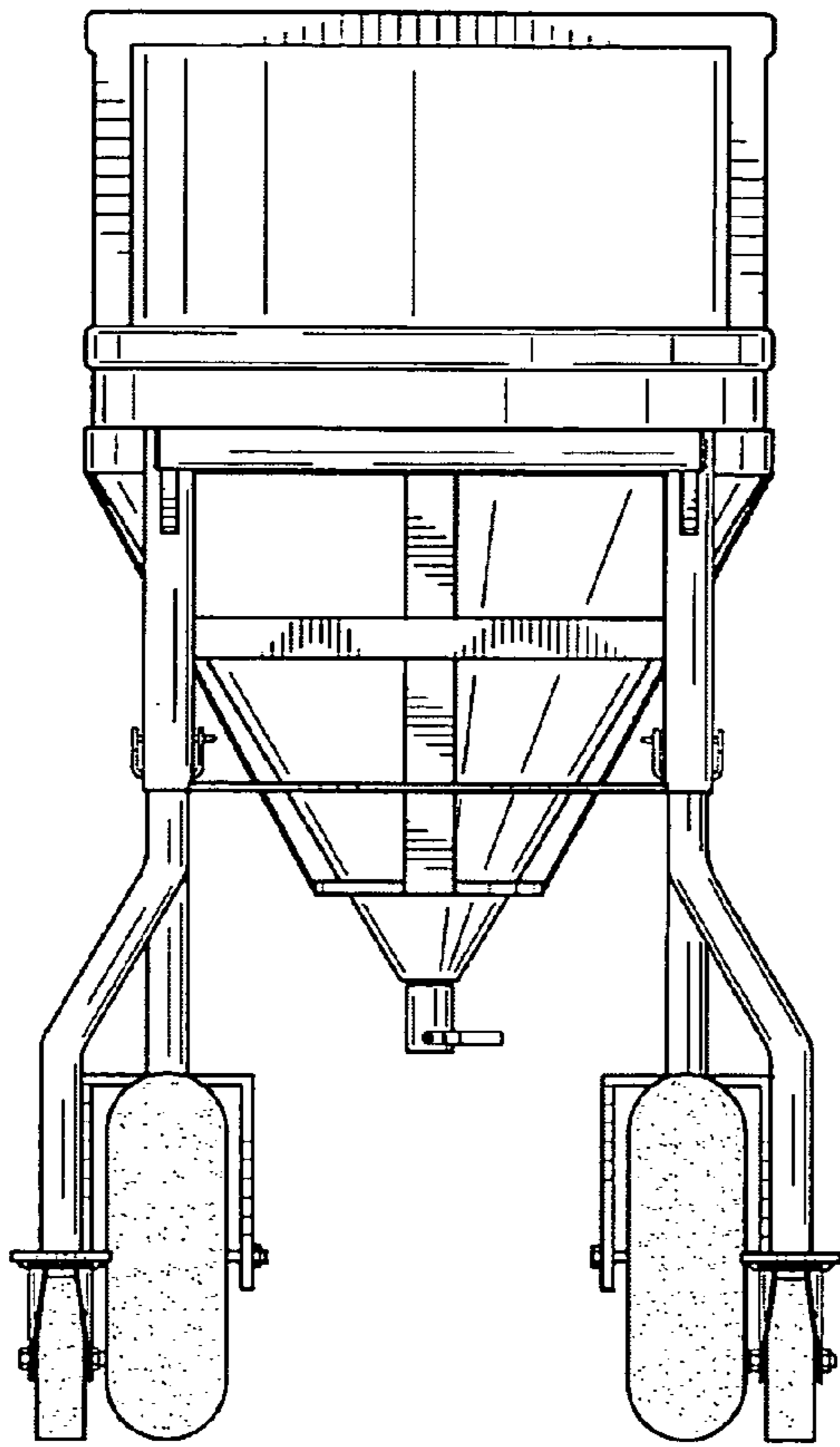


Fig. 2

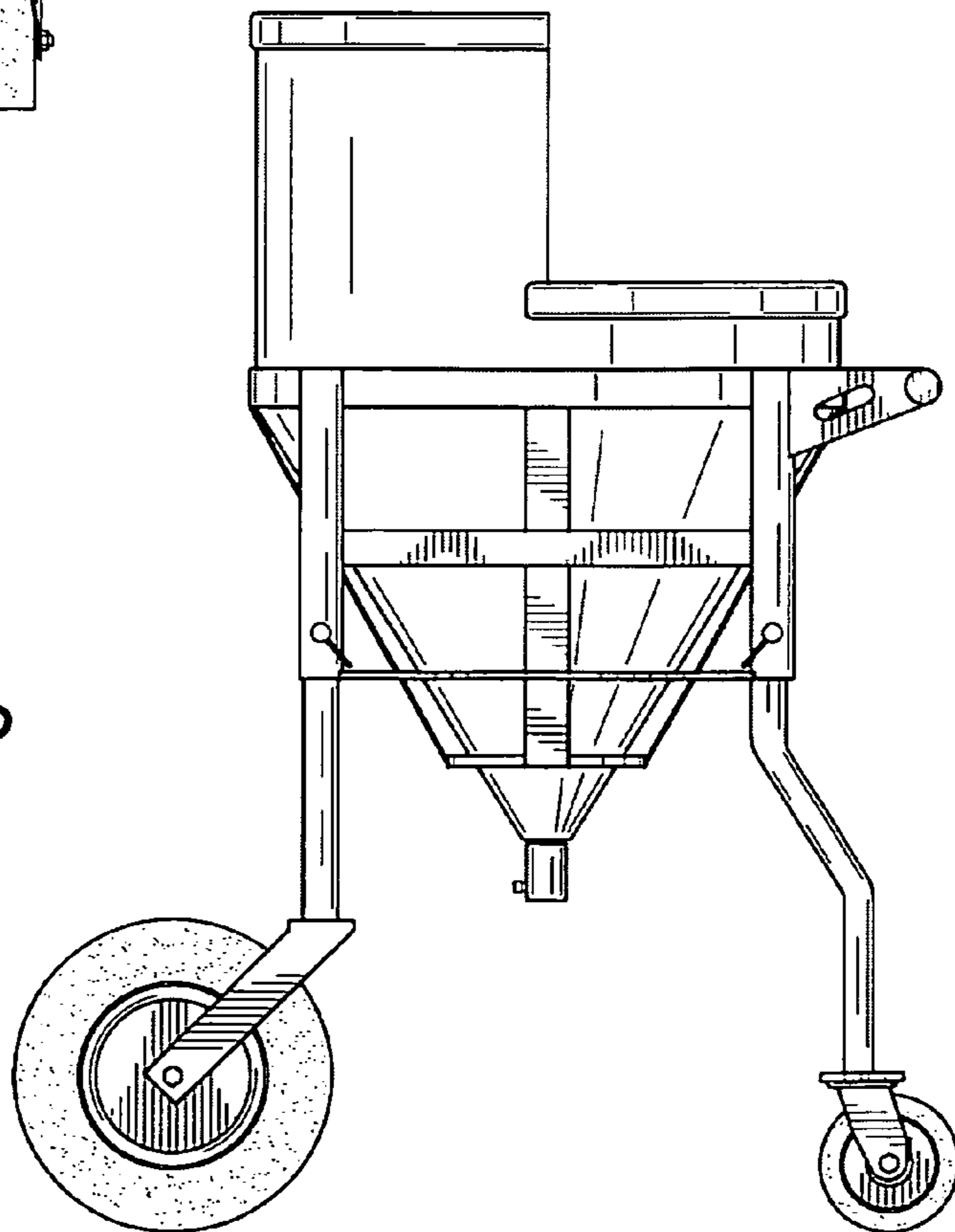


Fig. 3

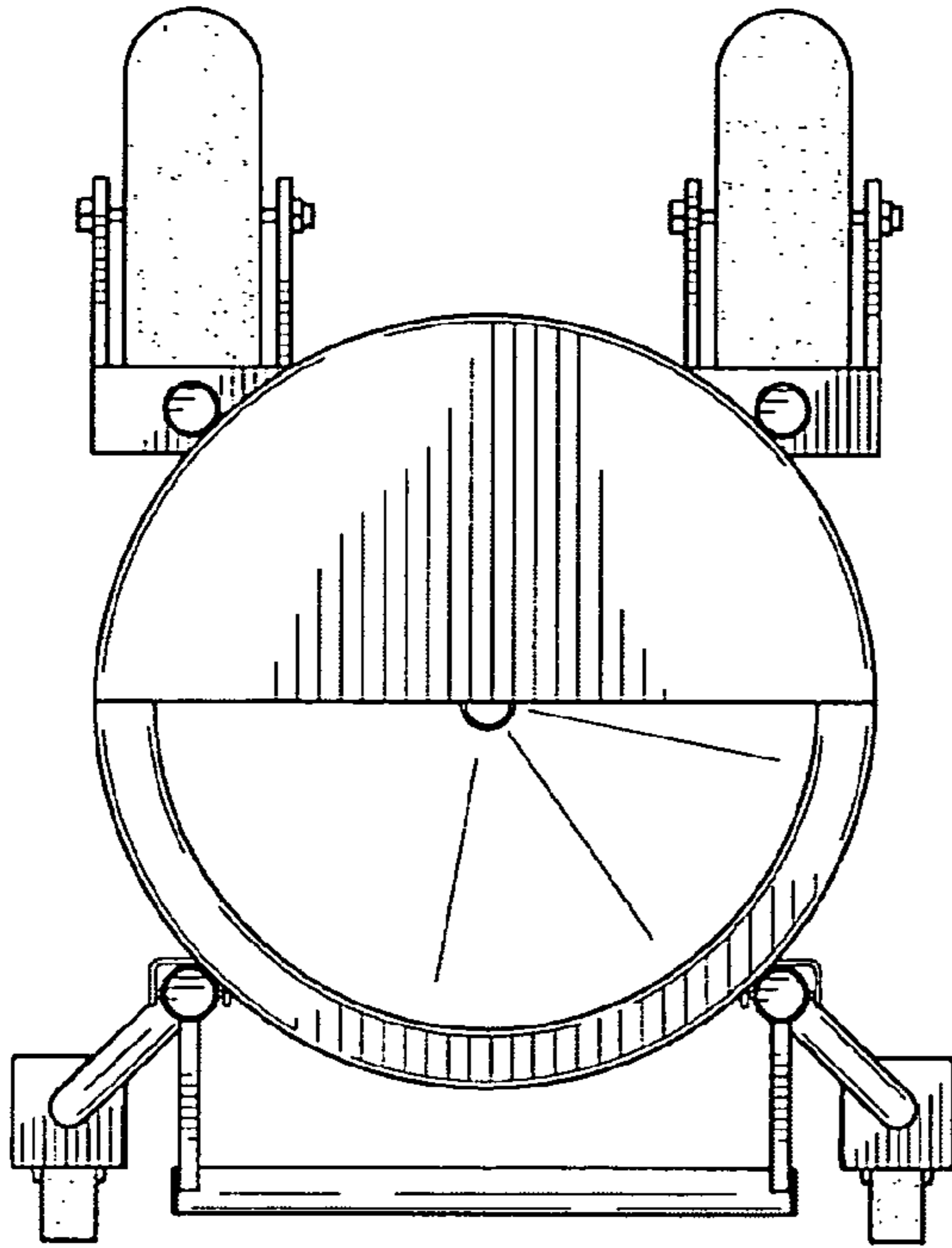


Fig. 4

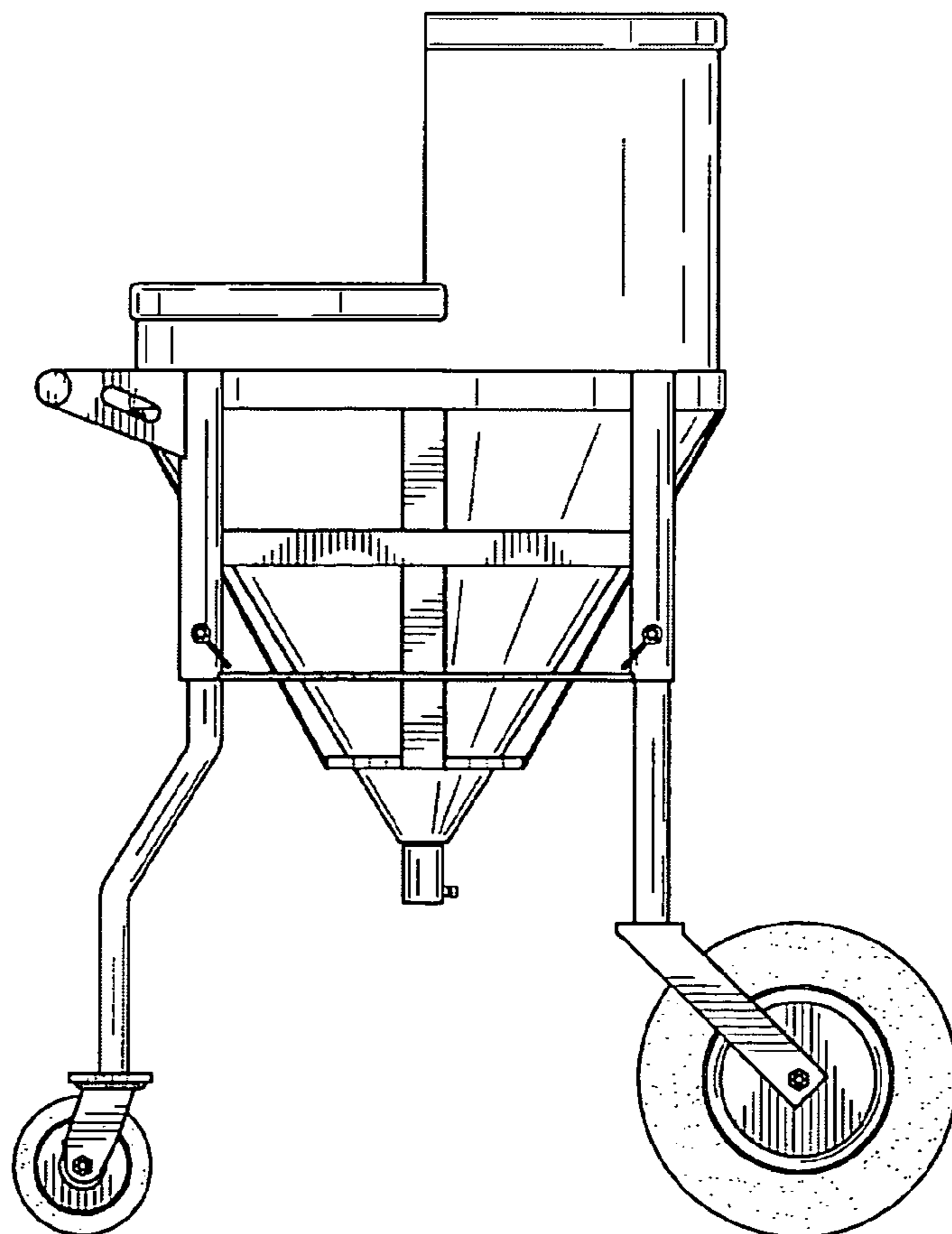


Fig. 5

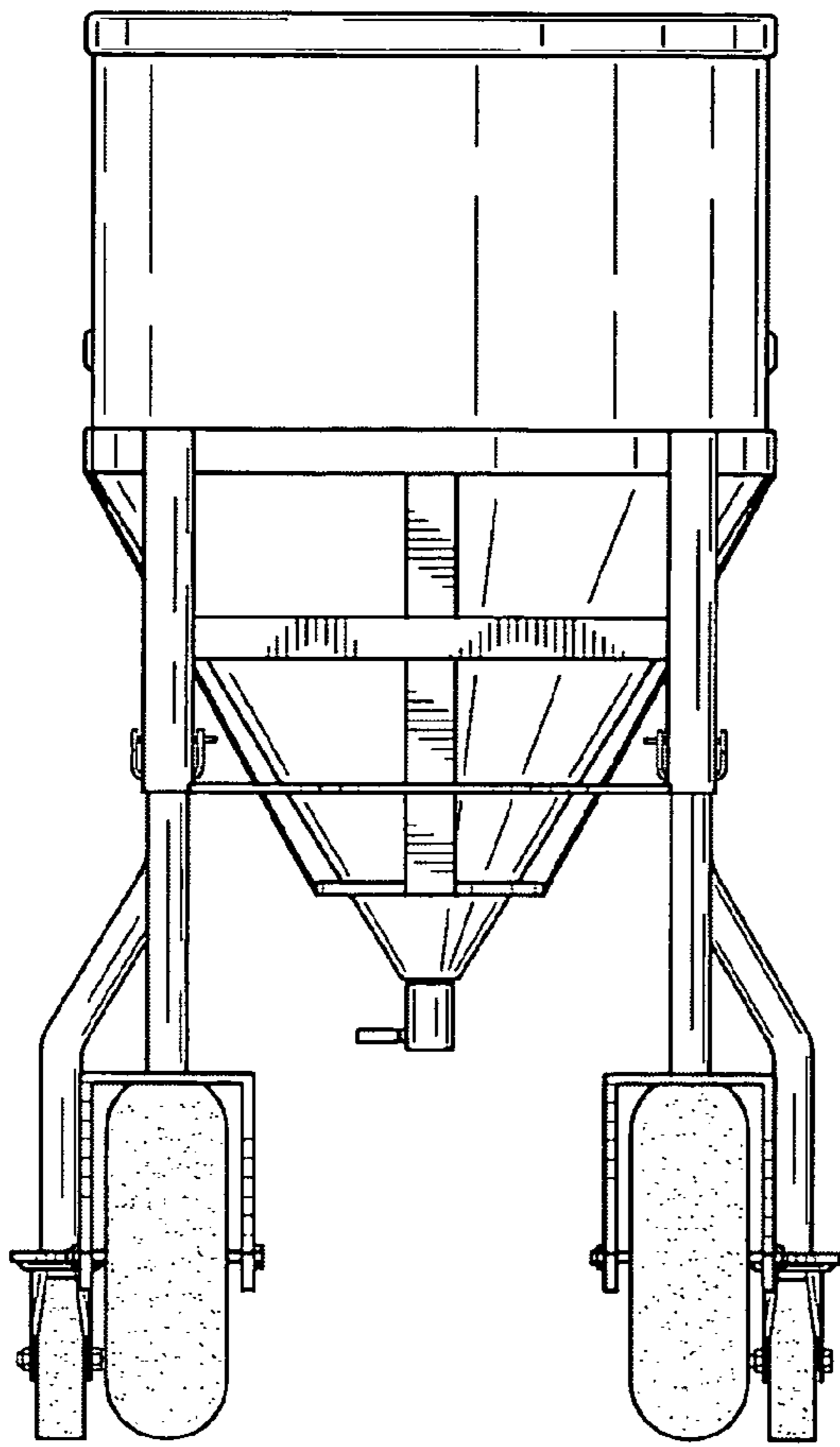


Fig. 6

Fig. 7

