

US00D665954S

(12) **United States Design Patent**
Diehl

(10) **Patent No.:** **US D665,954 S**

(45) **Date of Patent:** **** Aug. 21, 2012**

(54) **PET WASTE SCOOPING TOOL**

(76) Inventor: **Russel Diehl**, San Bernadino, CA (US)

(**) Term: **14 Years**

(21) Appl. No.: **29/399,227**

(22) Filed: **Aug. 10, 2011**

(51) **LOC (9) Cl.** **30-99**

(52) **U.S. Cl.** **D30/162**

(58) **Field of Classification Search** D30/161-162;
D7/691; D8/9, 13, 6; 119/161-170, 801;
294/1.3-1.5, 52, 55.5; 15/257.6

See application file for complete search history.

(56) **References Cited**

U.S. PATENT DOCUMENTS

3,310,332	A *	3/1967	Nelson	294/55.5
D209,660	S *	12/1967	Lind	D30/162
D219,122	S	11/1970	Dreier		
4,138,153	A	2/1979	Brown		
4,279,437	A	7/1981	Goldbarg		
D263,512	S	3/1982	Kawada		
D269,129	S *	5/1983	Manfre	D30/162
D285,012	S	8/1986	Willis		
D298,369	S	11/1988	Shun et al.		
D316,315	S	4/1991	Elrod		
D317,108	S	5/1991	Cochran		
D342,358	S	12/1993	Castro et al.		
D374,110	S *	9/1996	Hull et al.	D30/162
D391,131	S *	2/1998	Lehn et al.	D30/162

5,868,447	A	2/1999	Clark et al.		
D406,415	S	3/1999	Martin		
D409,804	S *	5/1999	Nunes	D30/162
5,921,596	A *	7/1999	Sheriff et al.	294/1.4
D428,676	S *	7/2000	Renforth	D30/162
D437,462	S	2/2001	Whall et al.		
D461,027	S	7/2002	Gardner		
D618,402	S	6/2010	Larman		
D634,490	S	3/2011	Weber et al.		
2004/0164568	A1 *	8/2004	Diehl	294/1.4
2009/0058114	A1 *	3/2009	Diehl	294/1.4

* cited by examiner

Primary Examiner — Wan Laymon

(74) *Attorney, Agent, or Firm* — QuickPatents, Inc.; Kevin Prince

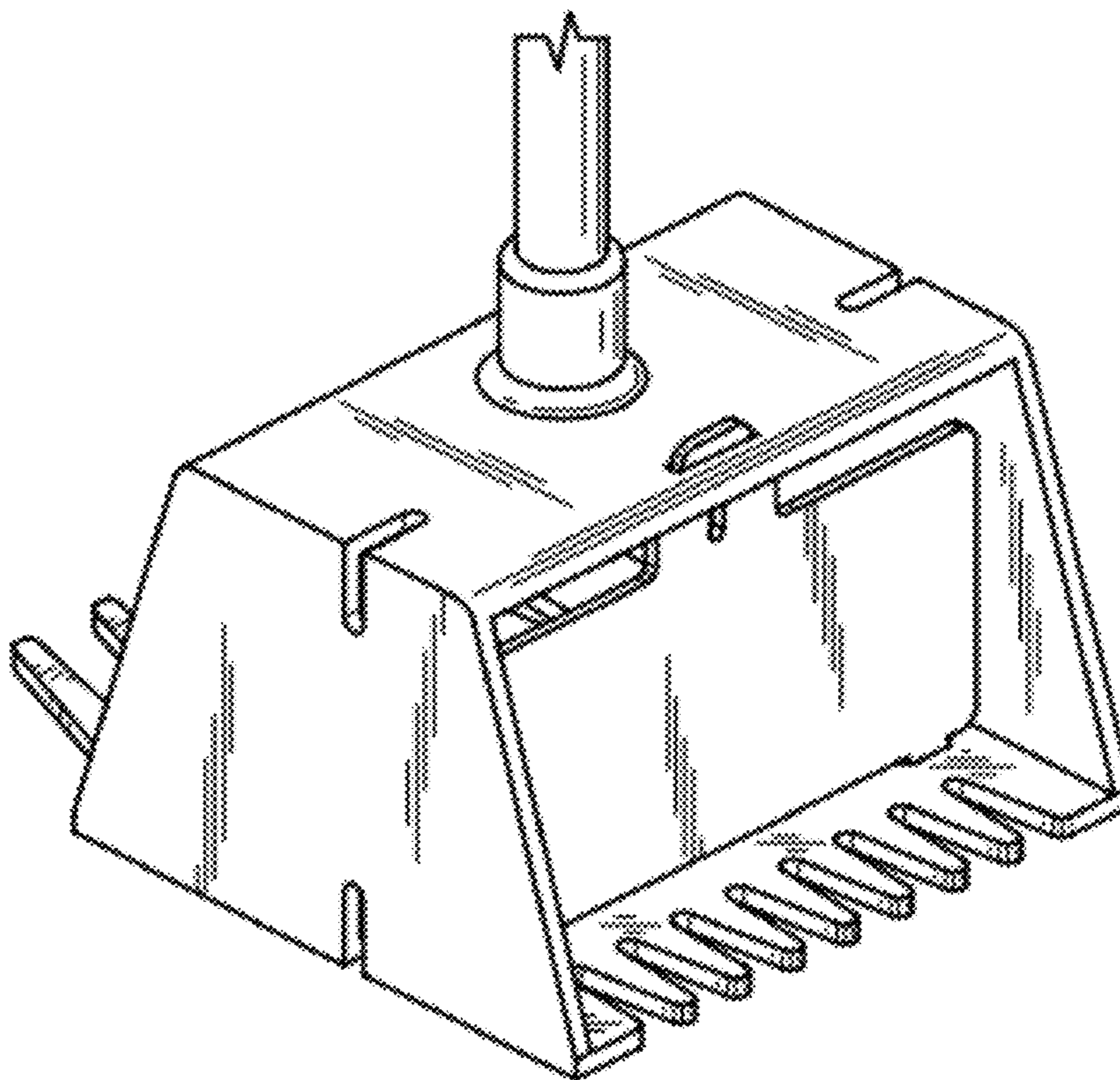
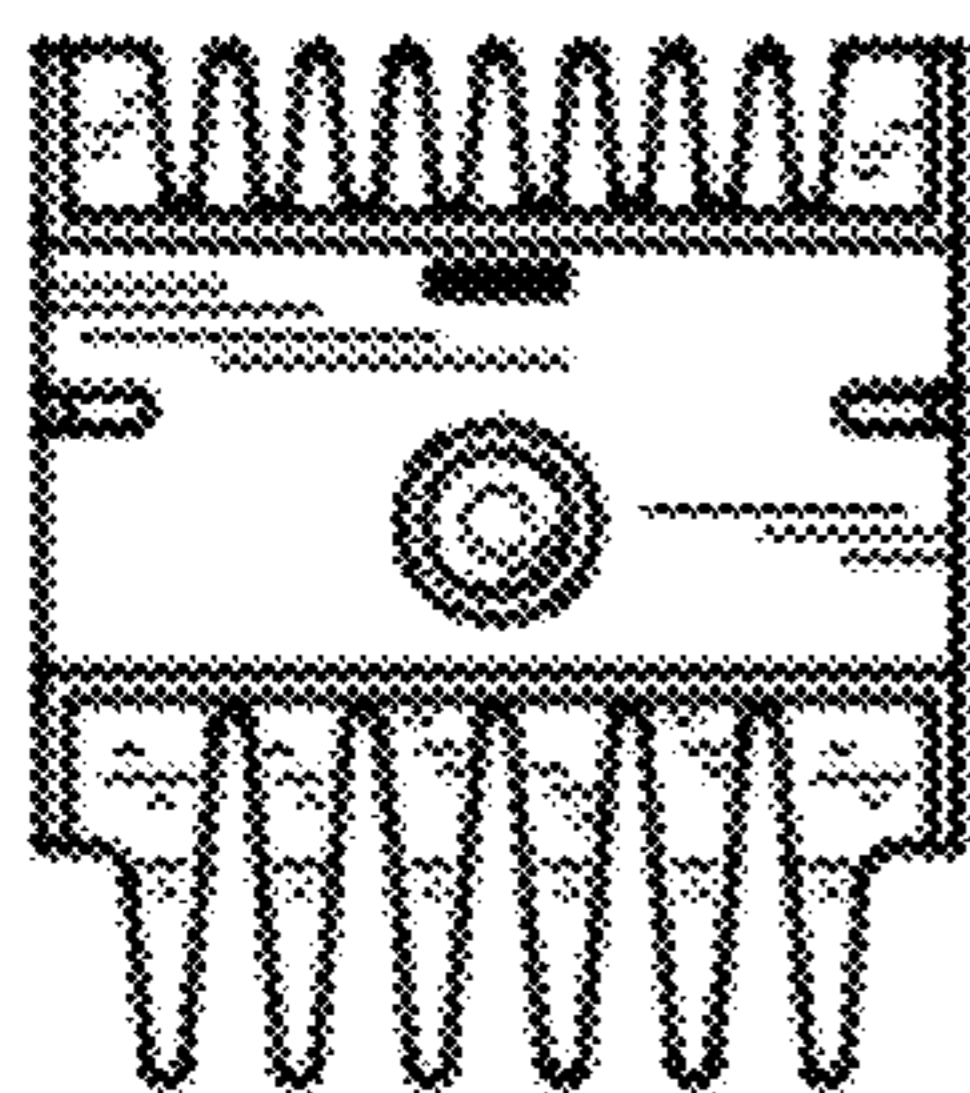
(57) **CLAIM**

I claim the ornamental design for a pet waste scooping tool, as shown and described.

DESCRIPTION

FIG. 1 is a perspective view of a pet waste scooping tool, showing my new design;
FIG. 2 is a front elevational view thereof;
FIG. 3 is a rear elevational view thereof;
FIG. 4 is a right-side elevational view thereof;
FIG. 5 is a left-side elevational view thereof;
FIG. 6 is a bottom plan view thereof;
FIG. 7 is a top plan view thereof; and,
FIG. 8 is an enlarged fragmentary perspective view thereof, most of a handle portion omitted for clarity of illustration.

1 Claim, 3 Drawing Sheets



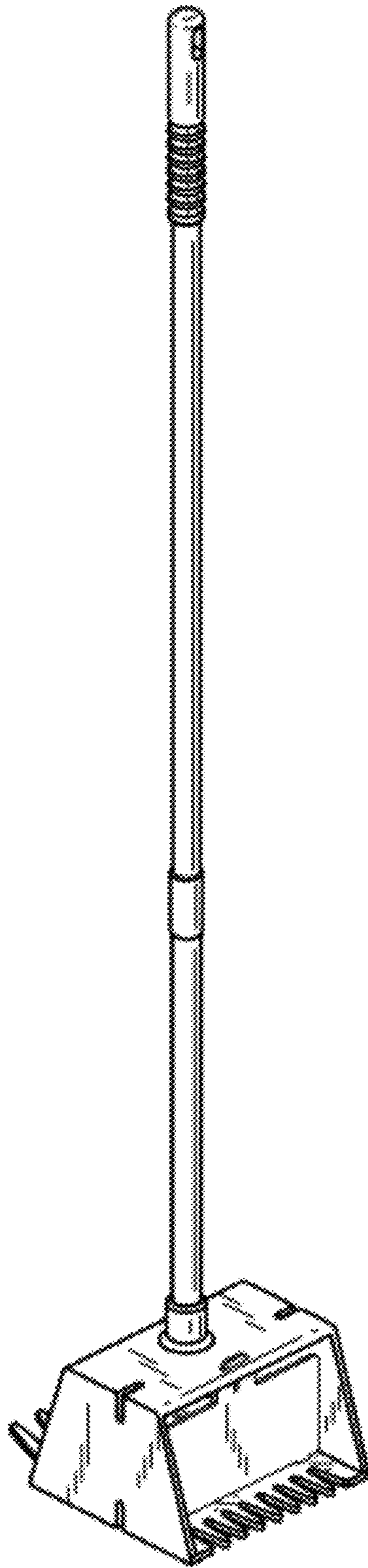


FIG. 1

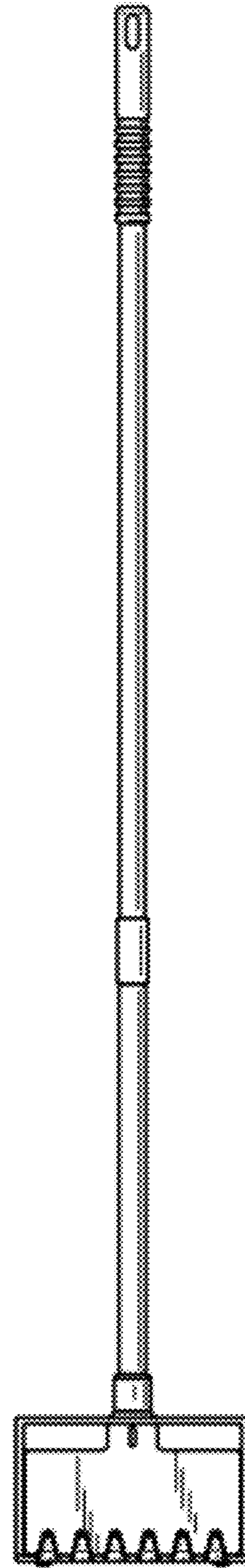


FIG. 2

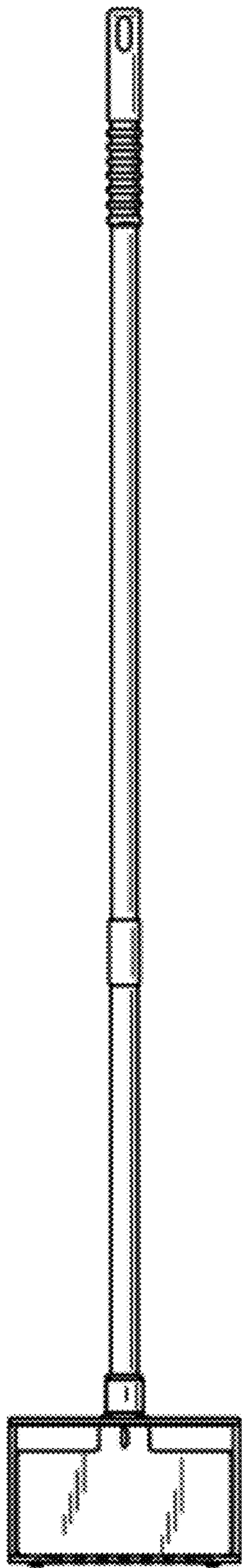


FIG. 3

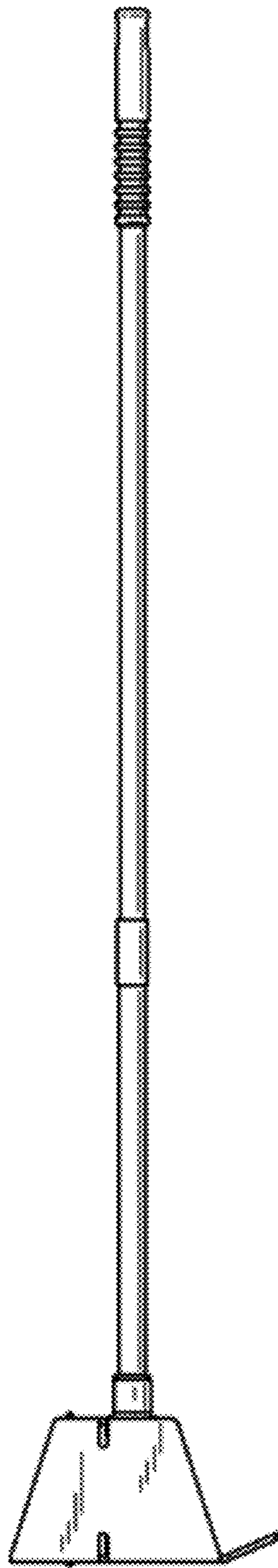


FIG. 4

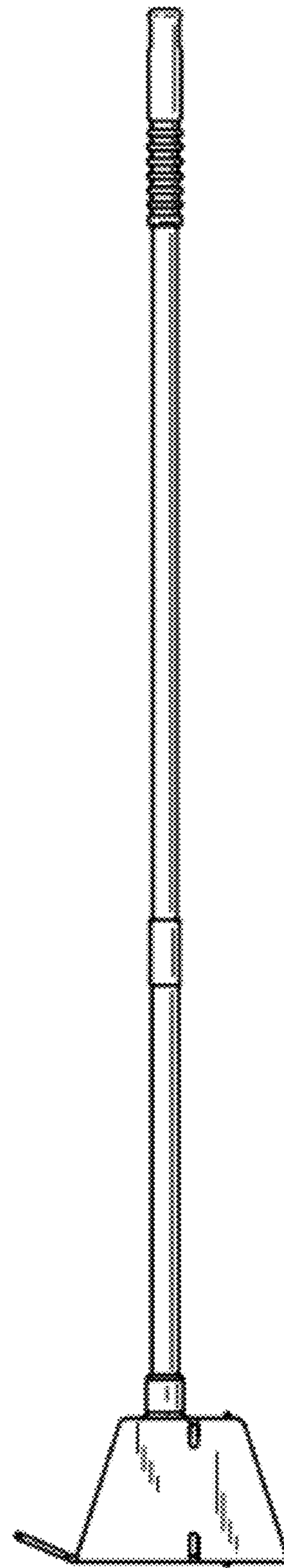


FIG. 5

FIG. 6

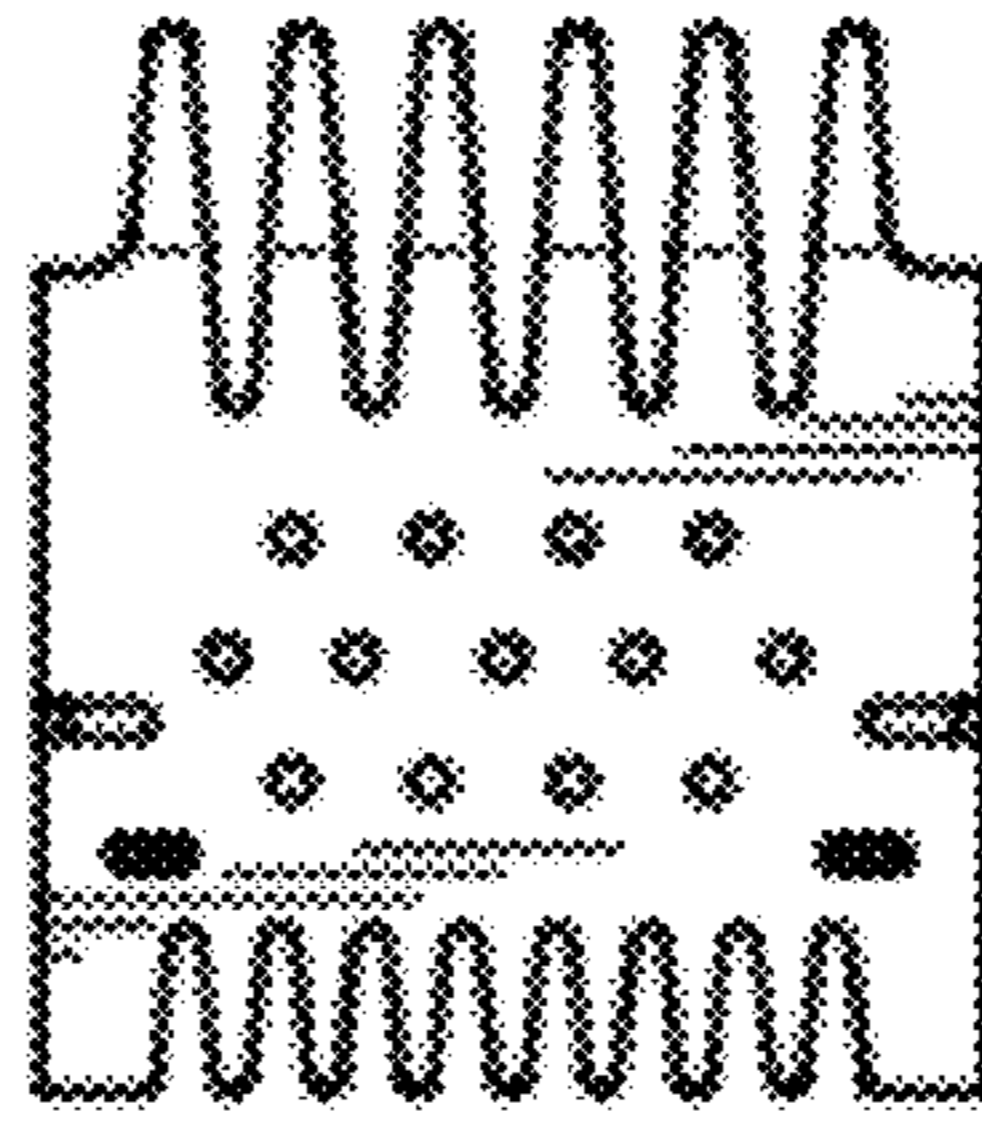


FIG. 7

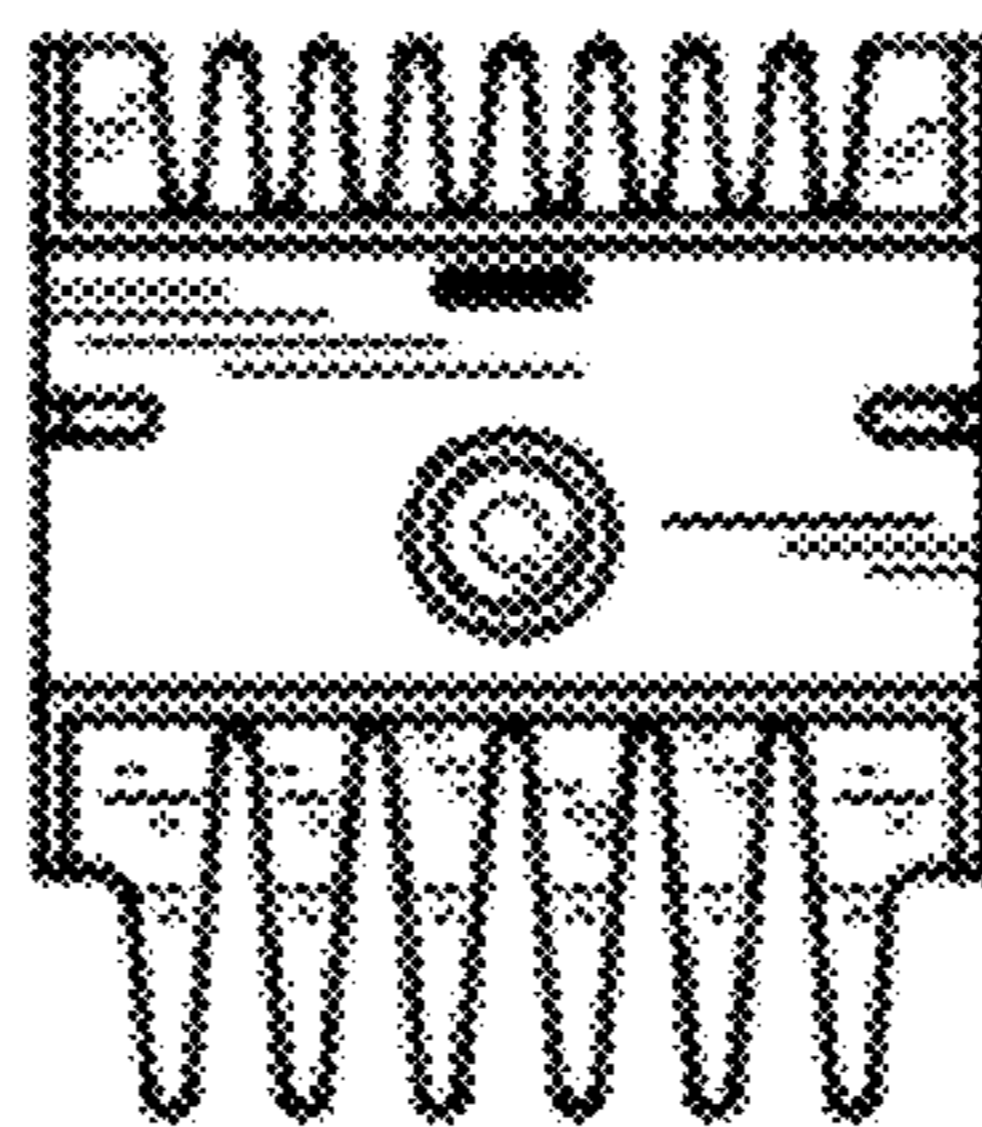


FIG. 8

