

US00D665953S

(12) **United States Design Patent**  
**Leary et al.**

(10) **Patent No.:** **US D665,953 S**

(45) **Date of Patent:** **\*\* Aug. 21, 2012**

(54) **SPLASHGUARD FOR ANIMAL PAW WASHING DEVICE**

(75) Inventors: **Brianne B. Leary**, New York, NY (US);  
**Andrew D. Taylor**, Farmington, CT (US)

(73) Assignee: **Pet Products Innovations, LLC**,  
Evanston, IL (US)

(\*\*) Term: **14 Years**

(21) Appl. No.: **29/419,257**

(22) Filed: **Apr. 26, 2012**

**Related U.S. Application Data**

(63) Continuation of application No. 11/816,922, filed as application No. PCT/US2006/006218 on Feb. 23, 2006.

(51) **LOC (9) Cl.** ..... **30-99**

(52) **U.S. Cl.** ..... **D30/158; D30/199**

(58) **Field of Classification Search** ..... D30/158,  
D30/199, 121-133; 119/51.01-78, 600-673;  
D23/209, 200, 227; 134/6; 15/21.1-167.2  
See application file for complete search history.

(56) **References Cited**

**U.S. PATENT DOCUMENTS**

D58,046	S *	5/1921	Smith	.....	D7/414
1,843,864	A *	2/1932	Burnett	.....	119/464
2,980,351	A *	4/1961	Greene	.....	241/46.016
3,018,057	A *	1/1962	Anderson	.....	239/201
3,133,305	A *	5/1964	Revan-Rosenstock	.....	15/160
3,432,108	A *	3/1969	Enright	.....	241/46.016
3,524,596	A *	8/1970	Smith	.....	241/46.016
4,171,103	A *	10/1979	Rossler	.....	241/152.2
4,249,483	A *	2/1981	Sobky	.....	119/51.12
4,439,884	A *	4/1984	Giorni	.....	15/104.92
4,450,790	A *	5/1984	Stansbury, Jr.	.....	119/51.12
D278,167	S *	3/1985	Kilham	.....	D30/121
4,617,874	A *	10/1986	Zammarano	.....	119/51.12

D287,996	S *	1/1987	Carder, Sr.	.....	D23/227
4,671,210	A *	6/1987	Robinson et al.	.....	119/51.12
4,774,730	A *	10/1988	Ho	.....	4/300.3
D317,666	S *	6/1991	Haynes	.....	D30/131
D326,743	S *	6/1992	Haynes	.....	D30/130
D333,711	S *	3/1993	Wilson	.....	D32/19
D339,429	S *	9/1993	Reid et al.	.....	D30/121
D341,414	S *	11/1993	Baker	.....	D23/310
5,298,077	A *	3/1994	Saarela et al.	.....	134/6
D374,915	S *	10/1996	Copp	.....	D23/227
D410,731	S *	6/1999	Bowman et al.	.....	D23/227
6,065,431	A *	5/2000	Davis	.....	119/600
D426,682	S *	6/2000	Kreger et al.	.....	D30/121
D430,262	S *	8/2000	Morrison	.....	D23/206
6,481,652	B2 *	11/2002	Strutz et al.	.....	241/46.013
6,719,228	B2 *	4/2004	Berger et al.	.....	241/46.016
D503,773	S *	4/2005	Alkalay	.....	D23/214
D539,078	S *	3/2007	Anderson et al.	.....	D7/375

(Continued)

*Primary Examiner* — Susan Moon Lee

(74) *Attorney, Agent, or Firm* — Cahn & Samuels, LLP

(57) **CLAIM**

The ornamental design for a splashguard for animal paw washing device, as shown and described.

**DESCRIPTION**

FIG. 1 is a perspective view of the splashguard for animal paw washing device according to the present invention.

FIG. 2 is a plan view of the splashguard for animal paw washing device according to the present invention.

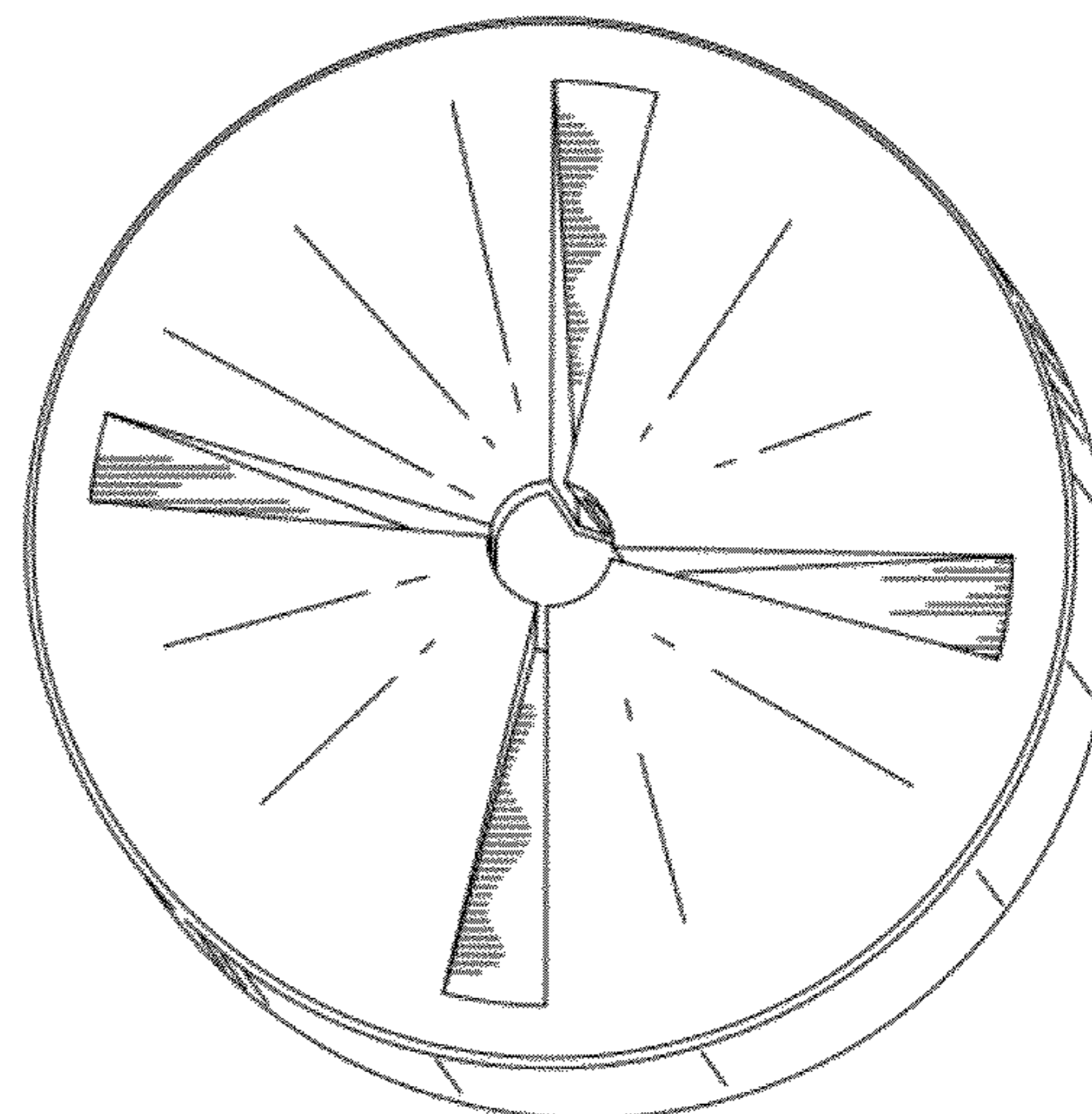
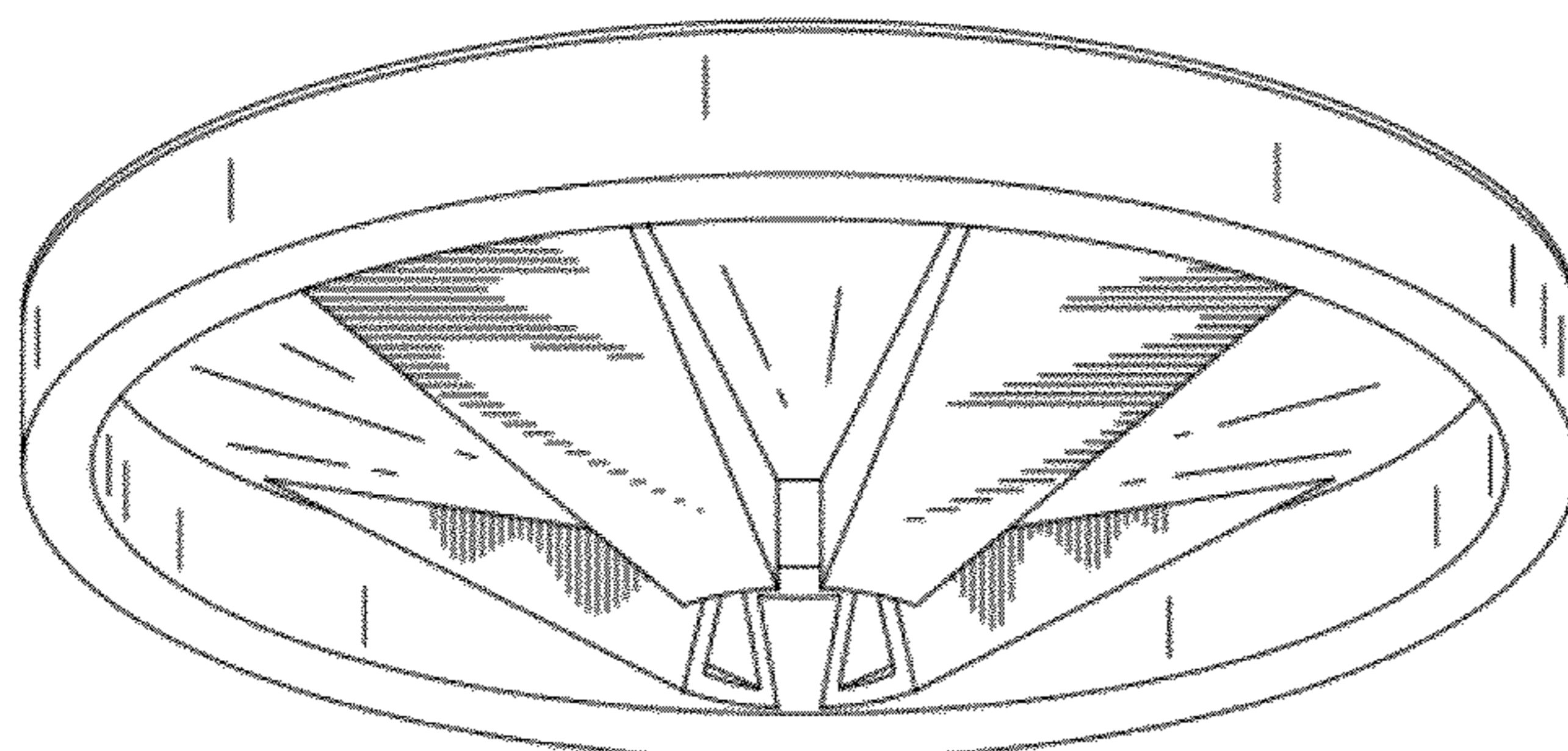
FIG. 3 is a top perspective view of the splashguard for animal paw washing device according to the present invention.

FIG. 4 is top view of the splashguard for animal paw washing device according to the present invention.

FIG. 5 is a bottom perspective view of the splashguard for animal paw washing device according to the present invention; and,

FIG. 6 is a bottom view of the splashguard for animal paw washing device according to the present invention.

**1 Claim, 3 Drawing Sheets**



# US D665,953 S

Page 2

---

## U.S. PATENT DOCUMENTS

D555,295 S *	11/2007	Donegan et al. ....	D30/121	D604,804 S *	11/2009	VanEerden et al. ....	D23/214
7,302,915 B2 *	12/2007	Leary et al. ....	119/664	7,619,878 B1 *	11/2009	Cook .....	361/672
D560,739 S *	1/2008	Bernatz et al. ....	D21/794	7,650,855 B2 *	1/2010	Krishnamurthy .....	119/51.11
D567,329 S *	4/2008	Holmes .....	D23/214	D661,784 S *	6/2012	Joss .....	D23/260
D581,723 S *	12/2008	Pan .....	D7/375	2004/0195409 A1 *	10/2004	Berger et al. ....	241/46.015
D581,724 S *	12/2008	Pan .....	D7/375	2007/0152087 A1 *	7/2007	Pan .....	241/46.016
D597,181 S *	7/2009	Jones .....	D23/260	2011/0240536 A1 *	10/2011	Tseng et al. ....	210/136
D599,444 S *	9/2009	Jones .....	D23/261	2011/0303675 A1 *	12/2011	Foster .....	220/484

\* cited by examiner



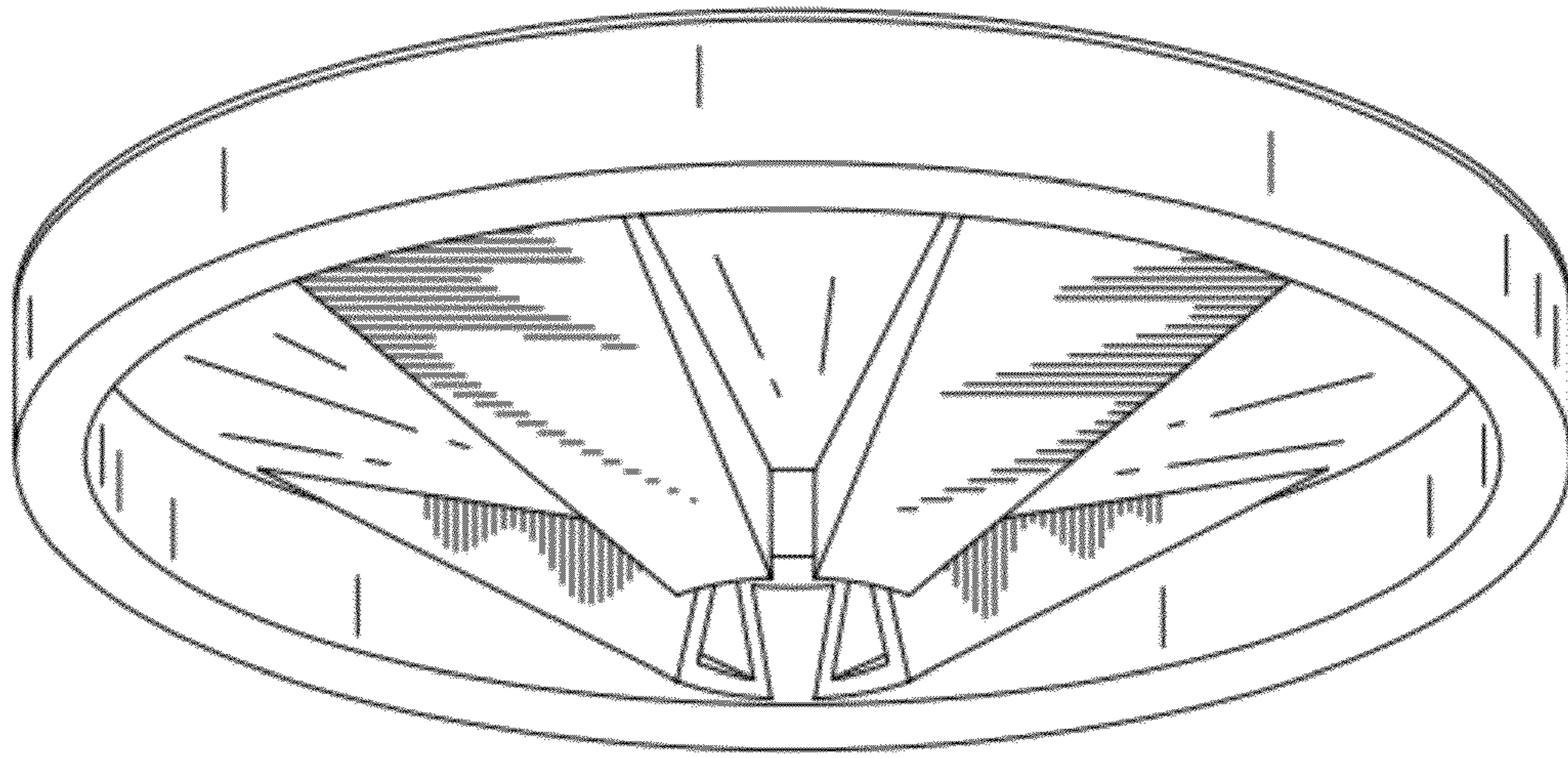


FIG. 1

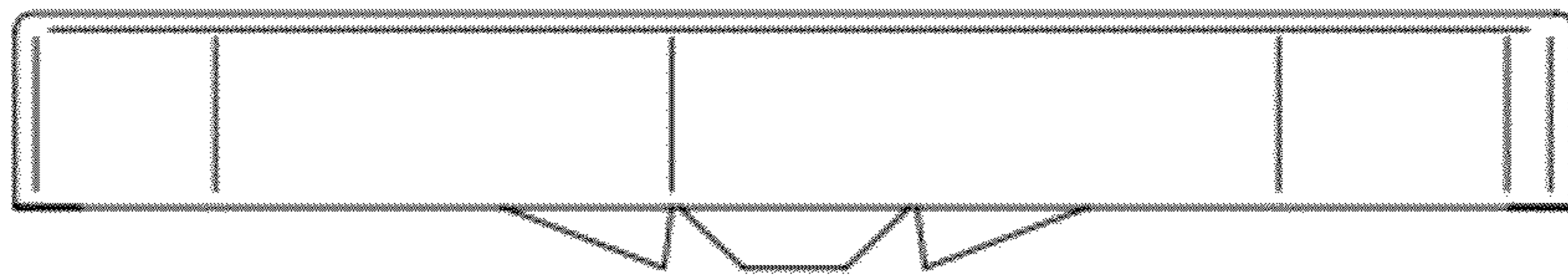


FIG. 2

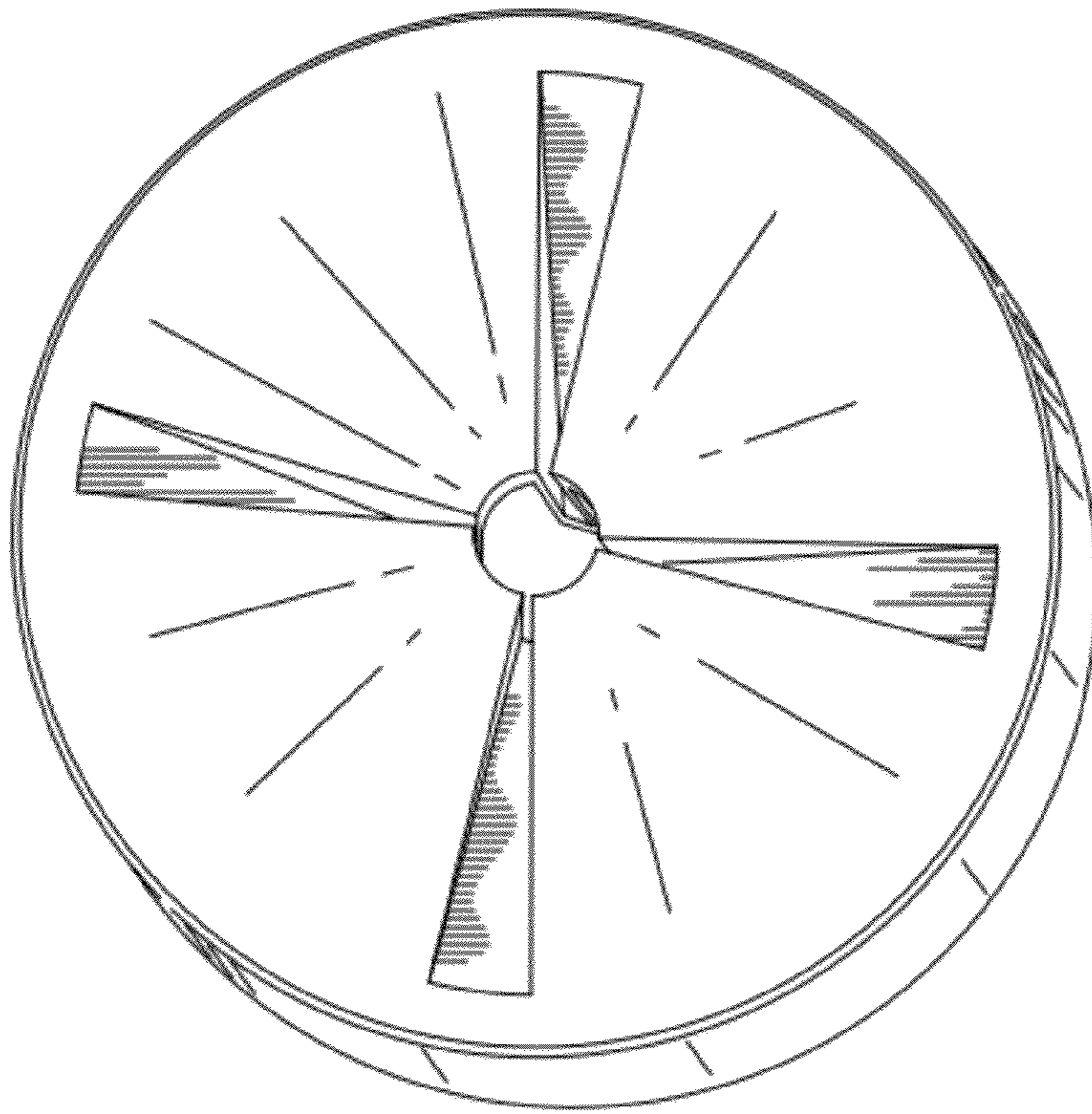


FIG. 3

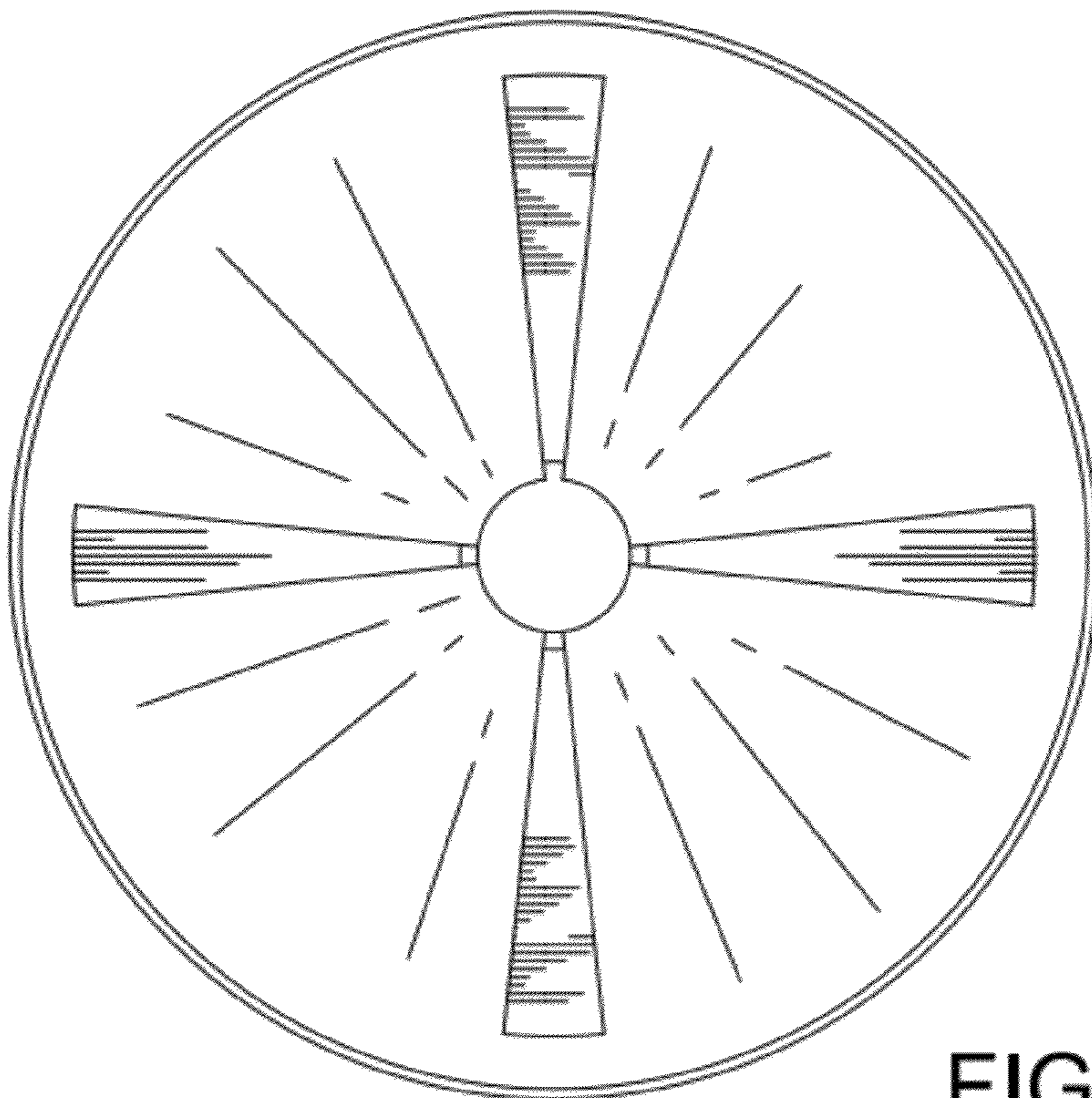


FIG. 4



FIG. 5

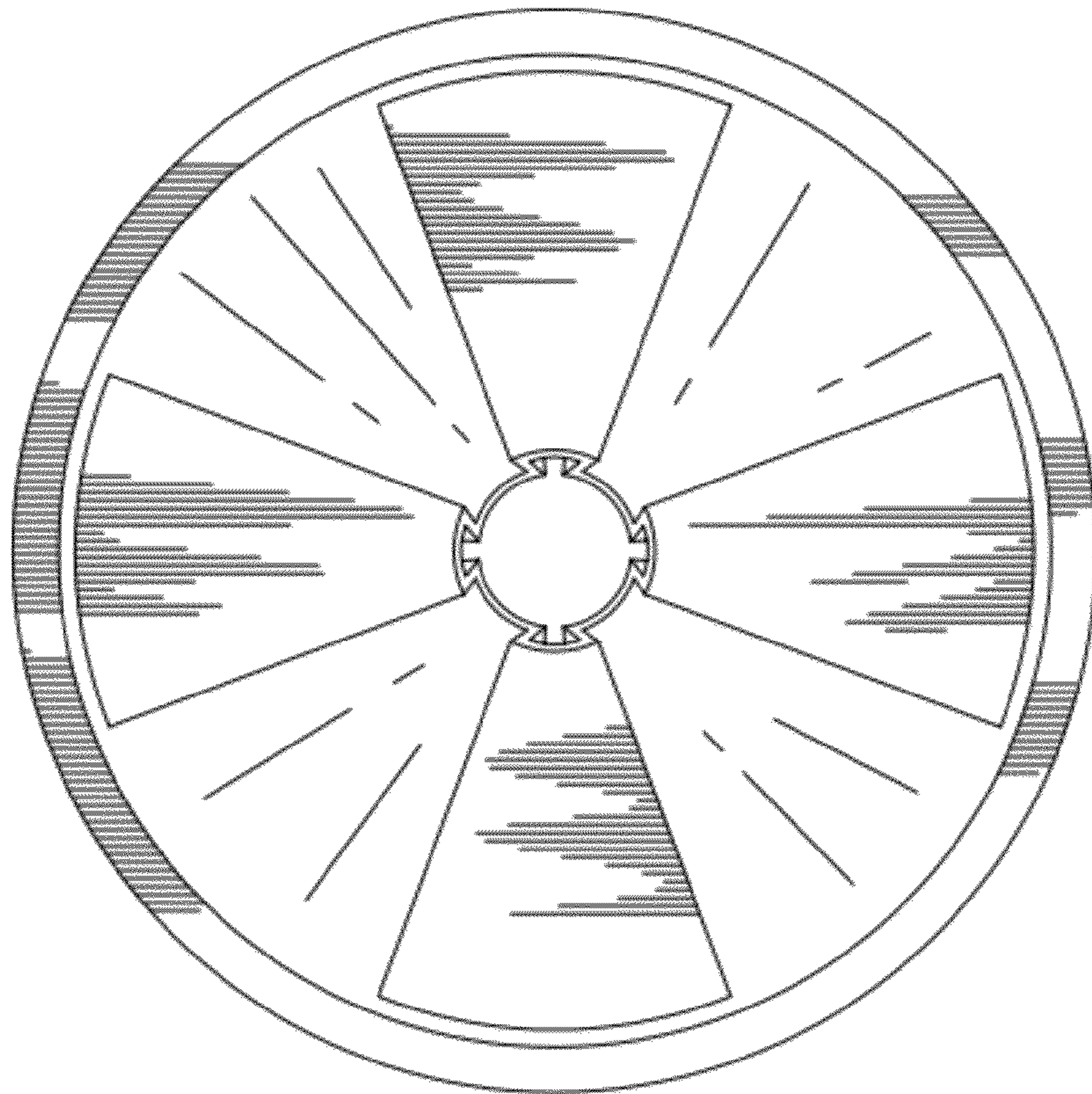
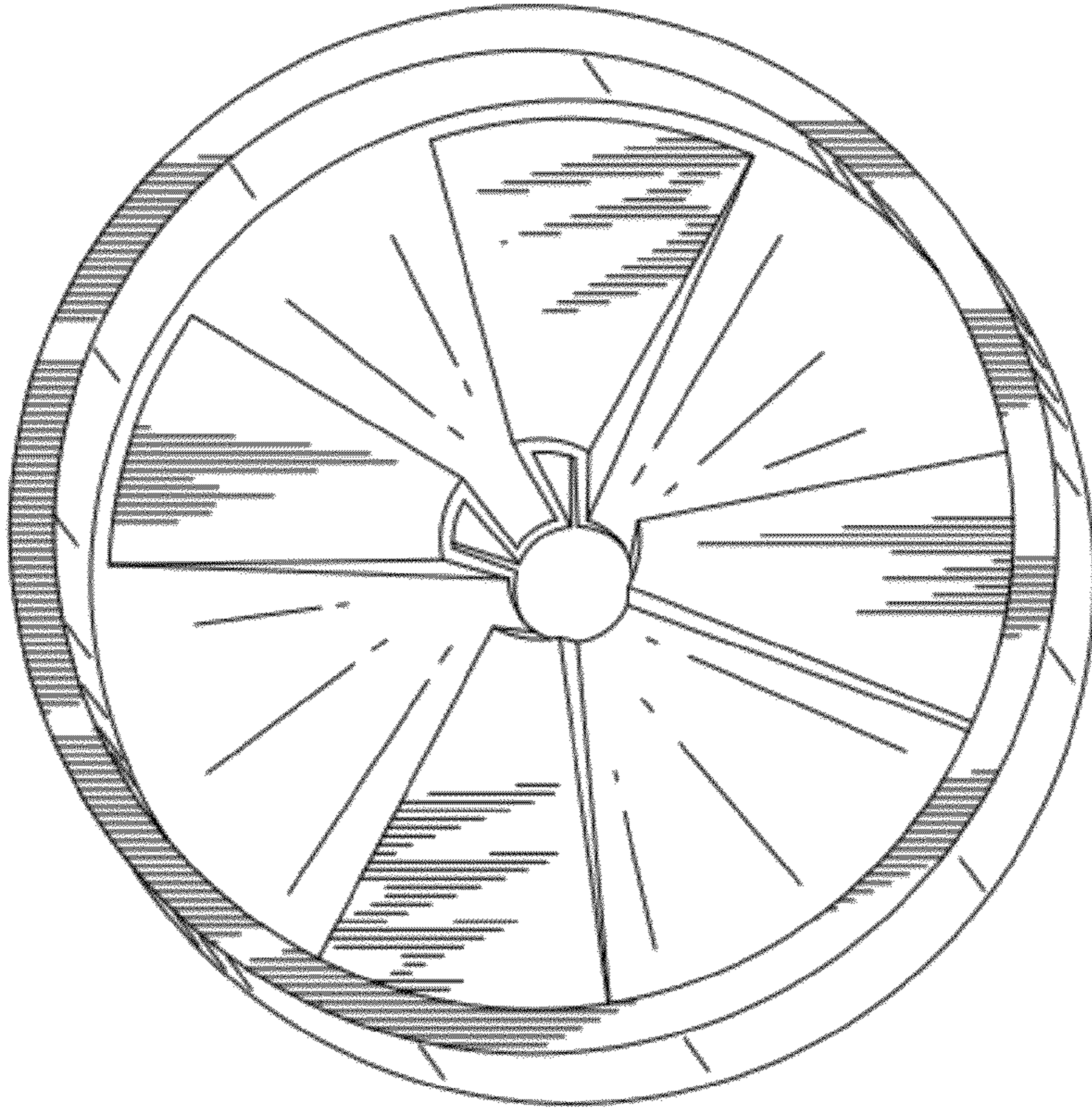


FIG. 6