



US00D665952S

(12) **United States Design Patent**
Guo

(10) **Patent No.:** **US D665,952 S**

(45) **Date of Patent:** **** Aug. 21, 2012**

(54) **RECEIVER**

(76) Inventor: **Xu Wei Guo**, Shenzhen (CN)

(**) Term: **14 Years**

(21) Appl. No.: **29/411,057**

(22) Filed: **Jan. 16, 2012**

(51) **LOC (9) Cl.** **30-04**

(52) **U.S. Cl.** **D30/152; D30/199**

(58) **Field of Classification Search** D30/151-155,
D30/144, 199, 160; 119/792-798, 850, 855-859,
119/863-865, 654, 905, 907, 815, 712, 802,
119/784, 769, 760, 776, 862, 908, 860, 719-721;
242/381.1-381.2, 385.4, 378.3, 376.1, 385.1,
242/916, 601, 570, 405, 404, 371, 223, 170,
242/388.1, 405.2, 377, 381.3, 381.6, 405.3,
242/388.6, 384.7, 382, 396.1, 404.1, 380;
362/108; 33/767, 769, 414; D12/400; D3/229,
D3/230, 207, 208, 215; 40/1.5, 455, 640,
40/303; 206/63.3, 459.5, 702, 408; D6/515;
D8/358, 360, 347, 360.1, 359, 356, DIG. 1;
D24/145; D10/57, 104, 72, 106, 104.1; D20/28;
224/666, 678; 16/445; 283/74, 70; D11/232,
D11/200, 216, 1, 2, 86, 87, 201, 206-210,
D11/212-215, 218; 24/163 K, 122.3, 323,
24/702, 600.4-600.7, 163 R, 169-171, 173,
24/177-179, 191, 194, 195, 197, 200, 303,
24/616, 635, 313, 615, 3, 6, 3 K, 5, 99.2,
24/96, 221, 237, 311, 312, 314, 321, 338,
24/339, 309; 428/3, 4; 54/76, 1, 71; 63/29.1,
63/3; 191/12.2 R, 12.4; D13/154, 153, 137.4,
D13/155; D19/69, 67; 379/438; 446/26;
473/576; D22/140; 174/135; 439/504, 13,
439/501; D34/33; 188/83, 82.1, 65.1; 254/134.3
FT; D29/124; D2/627, 624, 633, 625; 132/145,
132/146, 148; 2/314; 59/79.1; 340/573.3,
340/573.1, 573; 343/895; 278/8 AES; 231/7;
361/232

See application file for complete search history.

(56) **References Cited**

U.S. PATENT DOCUMENTS

1,578,468	A *	3/1926	Rankin	24/163 R
3,477,409	A *	11/1969	Costanzo	119/174
3,592,028	A *	7/1971	La Monica	70/57
3,874,339	A *	4/1975	Coulbourn	119/792
4,180,013	A *	12/1979	Smith	119/718
4,202,293	A *	5/1980	Gonda et al.	119/718
4,335,682	A *	6/1982	Gonda et al.	119/719
4,612,719	A *	9/1986	de Jong	40/658
D298,872	S *	12/1988	Cassel et al.	D30/199
4,887,549	A *	12/1989	Powell	119/718
D306,504	S *	3/1990	Young	D30/152
4,947,795	A *	8/1990	Farkas	119/718
5,054,428	A *	10/1991	Farkus	119/720
5,067,441	A *	11/1991	Weinstein	119/721
D330,173	S *	10/1992	Juliana et al.	D30/152
5,161,485	A *	11/1992	McDade	119/859
5,179,733	A *	1/1993	Matsui	455/344
5,193,484	A *	3/1993	Gonda	119/859
5,207,178	A *	5/1993	McDade et al.	119/859
D336,055	S *	6/1993	Juliana et al.	D30/152

(Continued)

Primary Examiner — Susan Moon Lee

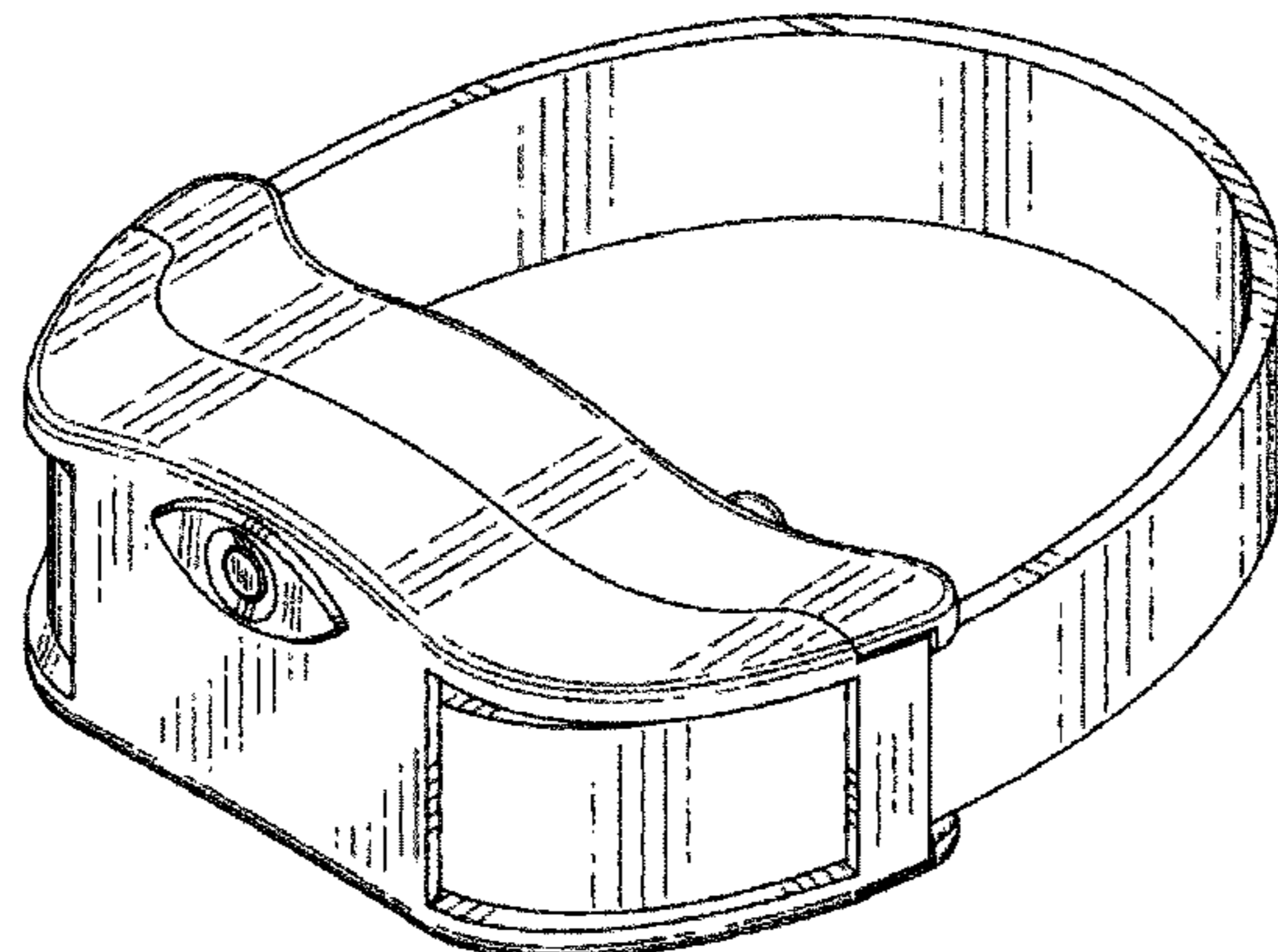
(57) **CLAIM**

An ornamental design for a receiver, as shown and described.

DESCRIPTION

FIG. 1 is a top perspective view of the receiver;
FIG. 2 is a bottom perspective view of the receiver;
FIG. 3 is a top view of the receiver;
FIG. 4 is a bottom view of the receiver;
FIG. 5 is a right side view of the receiver;
FIG. 6 is a left side view of the receiver; and,
FIG. 7 is a side view of the receiver.
The broken line elements are not claimed.

1 Claim, 5 Drawing Sheets



US D665,952 S

U.S. PATENT DOCUMENTS

5,434,759	A *	7/1995	Endo et al.	362/108	D514,461	S *	2/2006	Harju	D10/104.1
5,523,927	A *	6/1996	Gokey	362/103	D515,251	S *	2/2006	Silverlieb	D30/152
5,601,054	A *	2/1997	So	119/718	7,000,570	B2 *	2/2006	Napolez et al.	119/718
D379,252	S *	5/1997	McIntosh	D30/152	D520,894	S *	5/2006	Zakharyan	D30/199
D380,692	S *	7/1997	Heun	D30/152	D522,187	S *	5/2006	Nottingham et al.	D30/152
D385,855	S *	11/1997	Ronzani	D14/344	7,046,152	B1 *	5/2006	Peinetti et al.	340/573.3
D387,898	S *	12/1997	Ronzani	D3/215	D523,369	S *	6/2006	Jacober et al.	D11/3
D400,458	S *	11/1998	Titus et al.	D10/104.1	D523,998	S *	6/2006	Nottingham et al.	D30/152
D409,803	S *	5/1999	Yoka	D30/152	D526,590	S *	8/2006	So	D10/104.1
D410,206	S *	5/1999	Slater	D10/104.1	D532,753	S *	11/2006	So	D13/162
5,911,199	A *	6/1999	Farkas et al.	119/859	7,198,009	B2 *	4/2007	Crist et al.	119/718
D417,039	S *	11/1999	Smith et al.	D30/152	7,204,204	B1 *	4/2007	Peinetti et al.	119/721
D418,074	S *	12/1999	Hicks et al.	D10/104.1	7,222,589	B2 *	5/2007	Lee et al.	119/718
6,003,474	A *	12/1999	Slater et al.	119/859	7,252,051	B2 *	8/2007	Napolez et al.	119/718
6,019,066	A *	2/2000	Taylor	119/720	D553,037	S *	10/2007	Zakharyan et al.	D30/199
D423,389	S *	4/2000	Boyd	D10/104.2	7,278,376	B1 *	10/2007	Peinetti et al.	119/721
6,079,367	A *	6/2000	Stapelfeld et al.	119/720	D555,298	S *	11/2007	Garon	D30/152
D428,218	S *	7/2000	Dehart	D30/152	D558,761	S *	1/2008	Viduya et al.	D14/356
D432,442	S *	10/2000	Sayegh	D10/106.91	D569,288	S *	5/2008	Raymond	D10/104.1
6,131,535	A *	10/2000	So	119/719	7,382,328	B2 *	6/2008	Lee et al.	343/718
D439,708	S *	3/2001	Jenkins	D30/152	7,404,379	B2 *	7/2008	Nottingham et al.	119/859
D444,599	S *	7/2001	Guerry, Jr.	D30/155	7,426,906	B2 *	9/2008	Nottingham et al.	119/859
D445,352	S *	7/2001	So	D30/199	D578,918	S *	10/2008	Aninye	D10/104.1
D445,707	S *	7/2001	Zakhakyan	D30/152	D579,810	S *	11/2008	Campman	D10/104.1
6,327,999	B1 *	12/2001	Gerig	119/712	D586,249	S *	2/2009	Elsemore	D10/104.1
6,360,697	B1 *	3/2002	Williams	119/720	7,495,570	B1 *	2/2009	Peinetti et al.	340/573.3
6,360,698	B1 *	3/2002	Stapelfeld et al.	119/720	D587,614	S *	3/2009	Schwanitz et al.	D10/106.1
D456,811	S *	5/2002	Wheelock et al.	D14/432	7,559,291	B2 *	7/2009	Reinhart	119/720
D460,442	S *	7/2002	Fetherolf	D14/240	7,562,640	B2 *	7/2009	Lalor	119/719
D464,031	S *	10/2002	Gillingham	D13/184	7,574,979	B2 *	8/2009	Nottingham et al.	119/863
6,474,269	B2 *	11/2002	So	119/720	D605,066	S *	12/2009	Raymond	D10/106.91
D469,029	S *	1/2003	So	D10/104.1	7,644,685	B2 *	1/2010	Groh et al.	119/856
D470,186	S *	2/2003	Fuss	D20/22	7,712,438	B2 *	5/2010	Reinhart	119/859
D471,121	S *	3/2003	Perez	D10/106.91	7,814,865	B2 *	10/2010	Tracy et al.	119/720
D471,514	S *	3/2003	Jacober et al.	D13/103	D632,853	S *	2/2011	Hardi et al.	D30/155
D473,481	S *	4/2003	So	D10/104.1	D635,174	S *	3/2011	Stewart	D16/208
6,588,376	B1 *	7/2003	Groh	119/860	D637,365	S *	5/2011	Li et al.	D30/155
D478,830	S *	8/2003	So	D30/199	7,992,525	B1 *	8/2011	Fisher	119/860
D478,831	S *	8/2003	So	D10/104.1	8,065,978	B2 *	11/2011	Duncan et al.	119/721
D482,979	S *	12/2003	So	D10/104.1	8,115,621	B2 *	2/2012	Rajala et al.	340/539.13
6,657,544	B2 *	12/2003	Barry et al.	340/573.3	2002/0139565	A1 *	10/2002	Bradford	174/188
6,661,344	B2 *	12/2003	Bowling	340/573.3	2003/0116101	A1 *	6/2003	Kim et al.	119/720
6,712,025	B2 *	3/2004	Peterson et al.	119/721	2003/0122678	A1 *	7/2003	Duncan et al.	340/573.3
D491,481	S *	6/2004	Aiston et al.	D10/104.1	2005/0211187	A1 *	9/2005	Harman et al.	119/721
D492,214	S *	6/2004	Sayegh et al.	D10/106.91	2006/0169222	A1 *	8/2006	Gerig	119/859
6,750,758	B2 *	6/2004	Duncan et al.	340/384.1	2007/0039563	A1 *	2/2007	Keller	119/799
6,805,460	B1 *	10/2004	Zoller et al.	362/103	2007/0119031	A1 *	5/2007	Beltramello	24/170
6,830,014	B1 *	12/2004	Lalor	119/859	2007/0137589	A1 *	6/2007	Gerig	119/859
6,860,240	B2 *	3/2005	Kim et al.	119/719	2007/0204810	A1 *	9/2007	Nottingham et al.	119/859
6,907,844	B1 *	6/2005	Crist et al.	119/718	2007/0221141	A1 *	9/2007	Reinhart	119/859
6,928,958	B2 *	8/2005	Crist et al.	119/718	2007/0227465	A1 *	10/2007	Gerig et al.	119/859
D511,114	S *	11/2005	Feldman et al.	D10/104.1	2008/0210176	A1 *	9/2008	Lalor	119/859
6,992,582	B2 *	1/2006	Hill et al.	340/539.13					

* cited by examiner

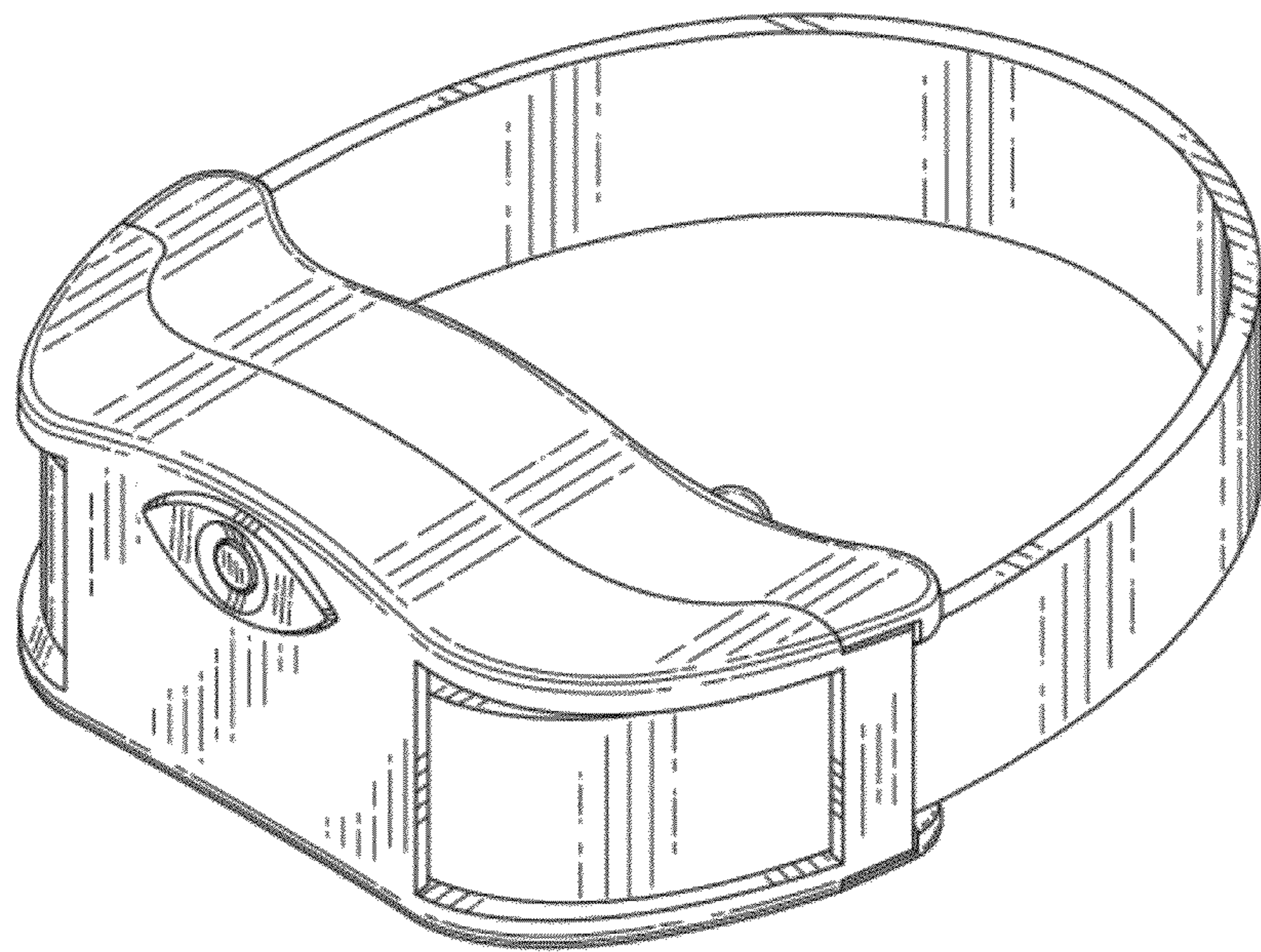


FIG. 1

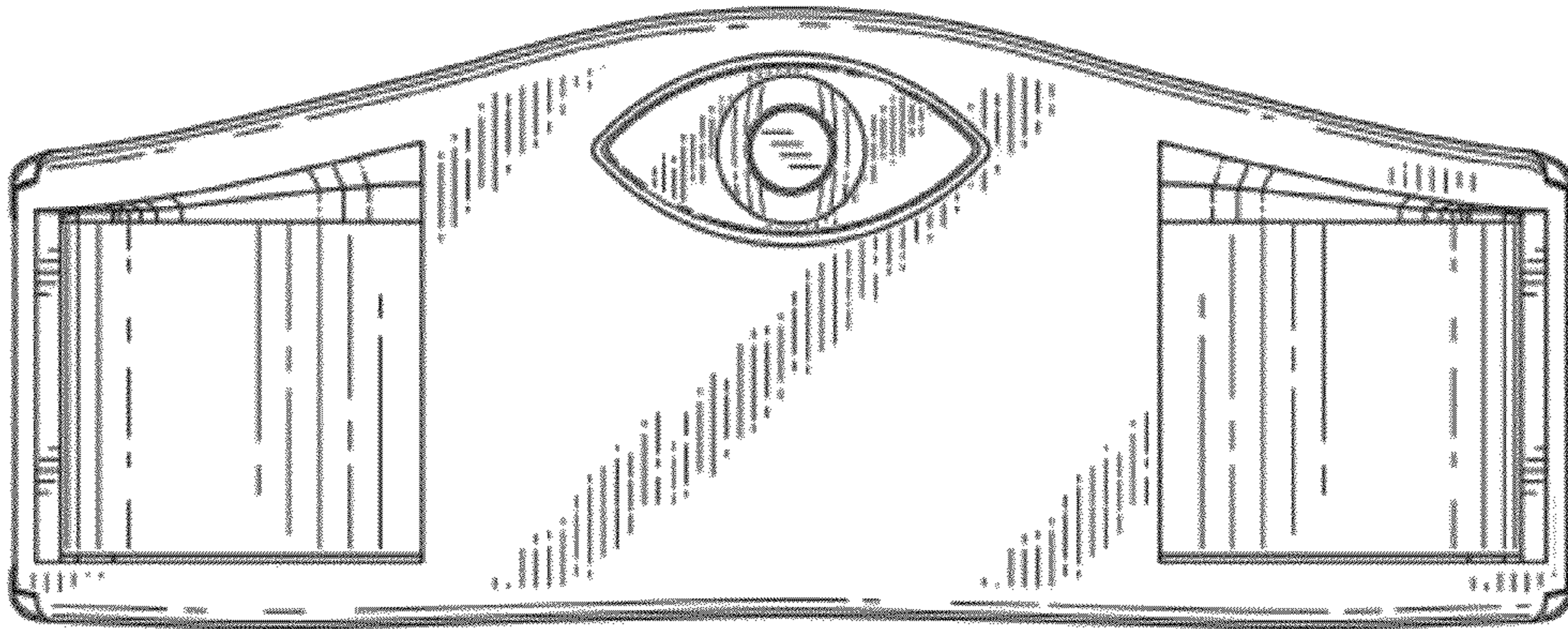


FIG. 2

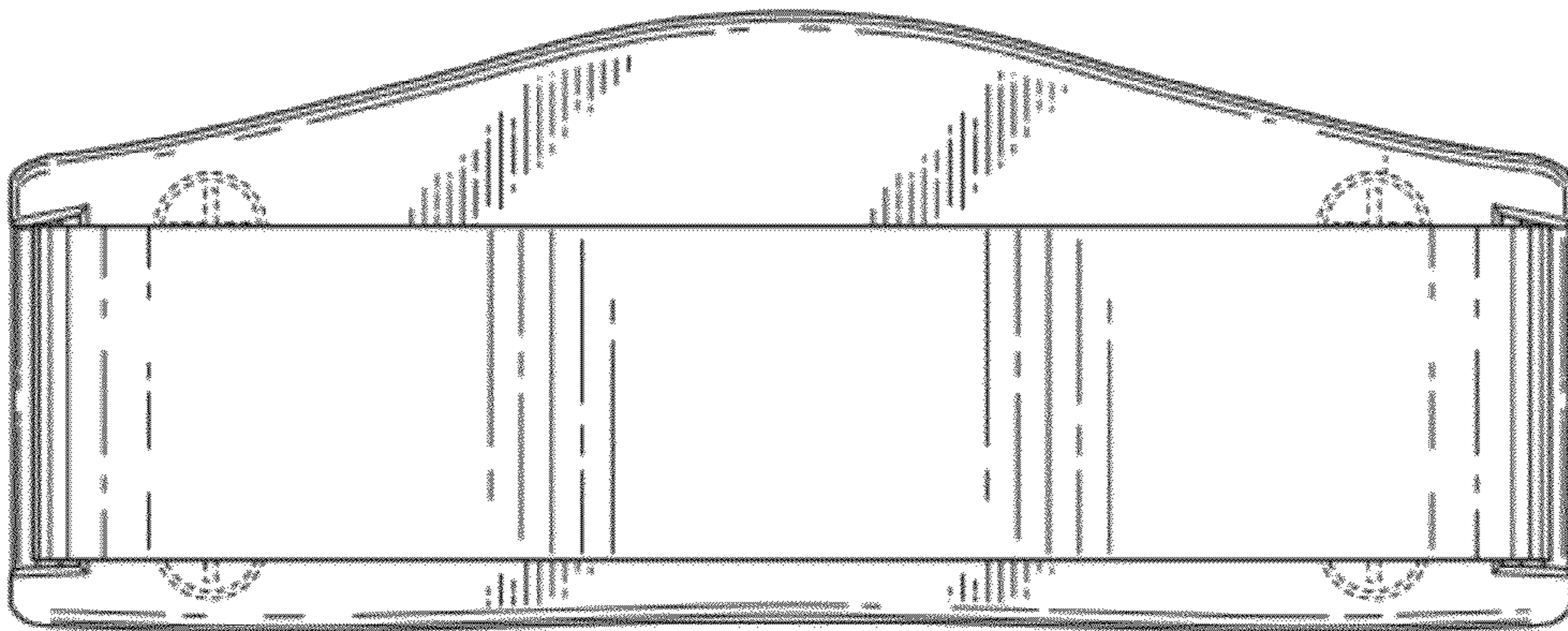


FIG. 3

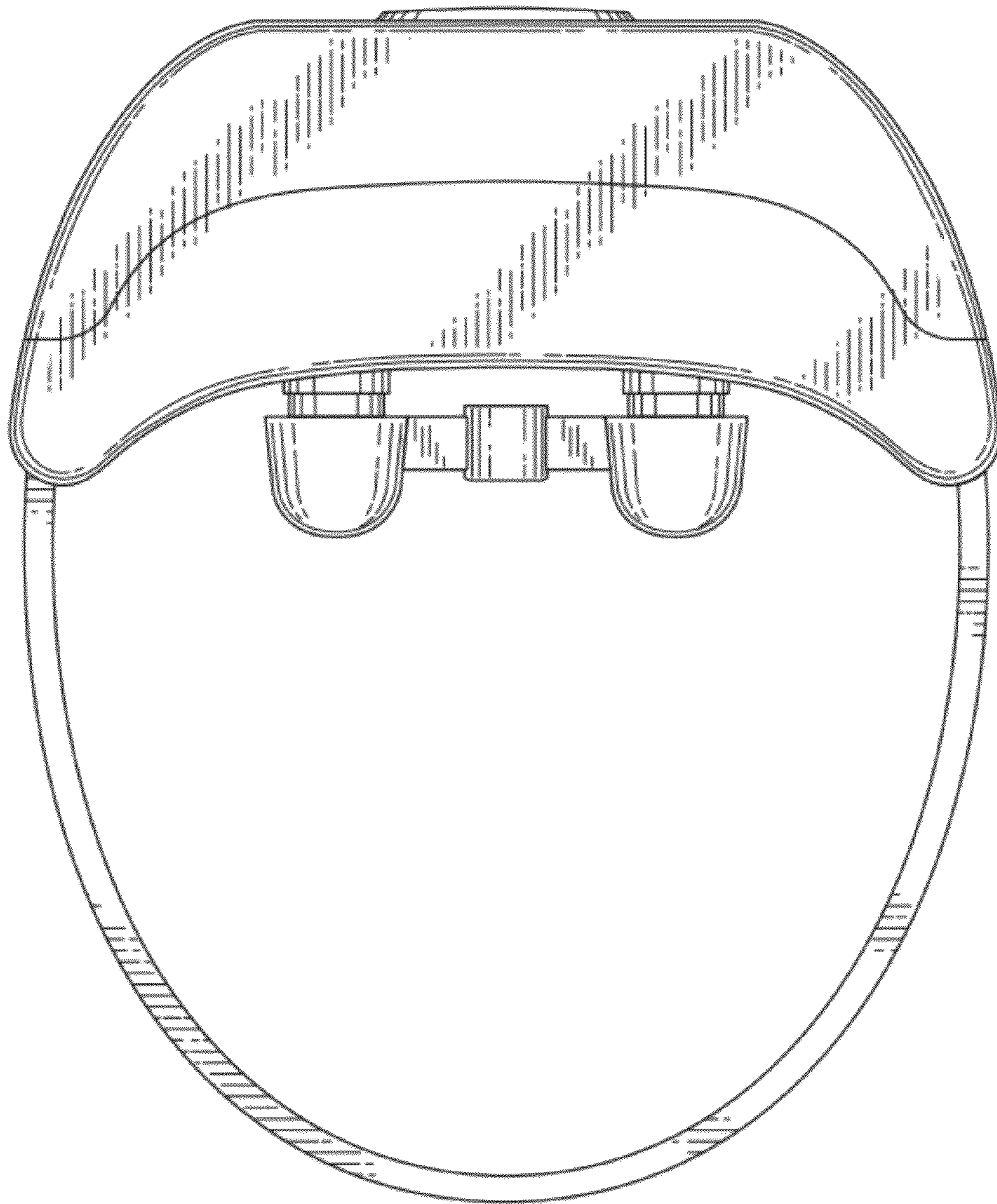


FIG. 4

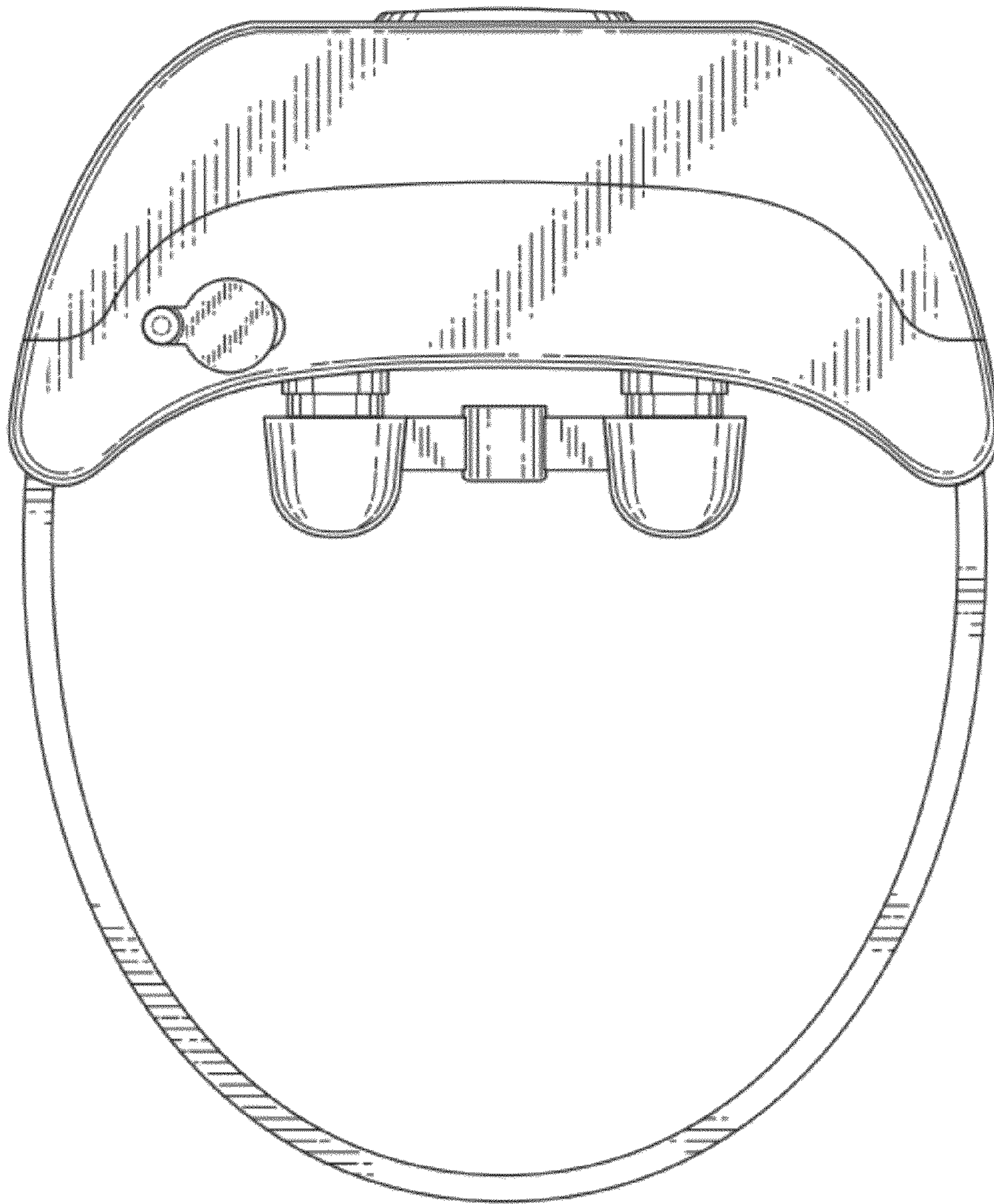


FIG. 5

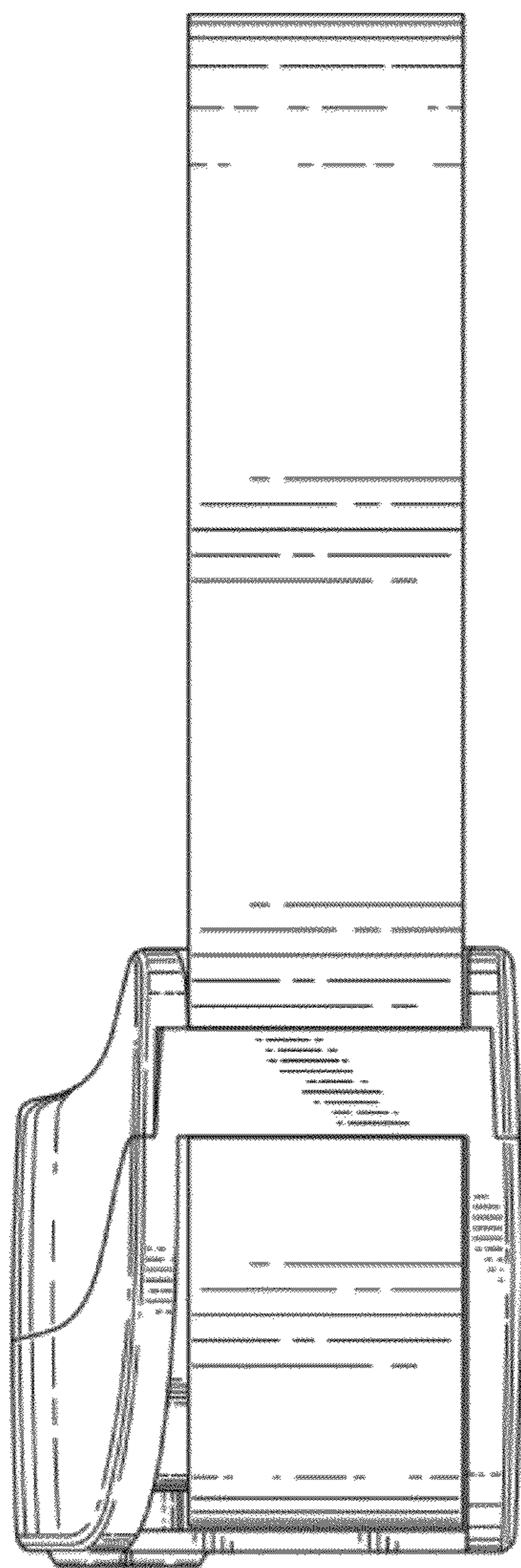


FIG. 6

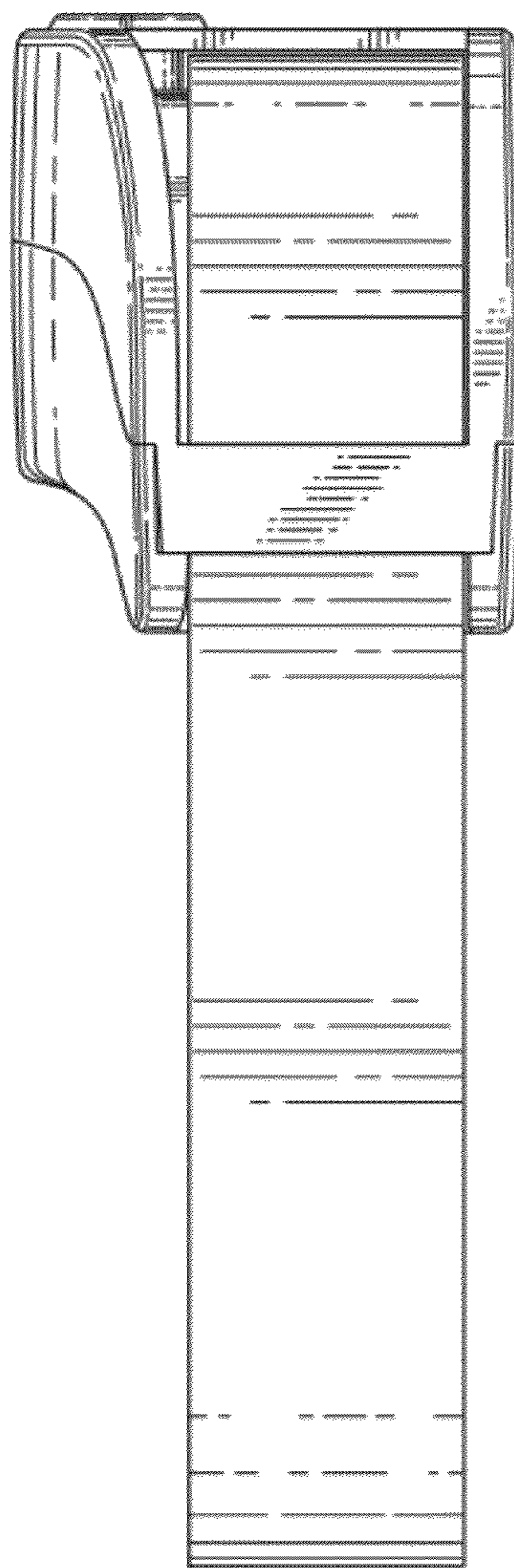


FIG. 7