

US00D665951S

(12) **United States Design Patent**
Lloyd

(10) **Patent No.:** **US D665,951 S**

(45) **Date of Patent:** **** Aug. 21, 2012**

(54) **PET BATH CARRIER**

(76) Inventor: **Michael Lloyd**, Chicago, IL (US)

(**) Term: **14 Years**

(21) Appl. No.: **29/357,151**

(22) Filed: **Mar. 8, 2010**

(51) **LOC (9) Cl.** **30-02**

(52) **U.S. Cl.** **D30/109; D30/114**

(58) **Field of Classification Search** D30/108–112,
D30/118–120, 125, 161; 119/482; D21/506,
D21/509, 510, 511; 446/75, 76, 108, 109,
446/110, 476–478; D99/30

See application file for complete search history.

(56) **References Cited**

U.S. PATENT DOCUMENTS

D23,583 S *	8/1894	Scott	D23/277
2,079,458 A *	5/1937	Leichtfuss	220/7
D211,526 S *	6/1968	Ikelheimer	D30/109
D220,961 S *	6/1971	Ringelman et al.	D30/109
D227,126 S *	6/1973	Brisson	D30/109
3,749,064 A	7/1973	Weinstein et al.		
4,057,032 A	11/1977	Dimitriadis		
D260,131 S *	8/1981	Hiatt et al.	D7/354
D300,968 S *	5/1989	Conner	D30/161
D308,429 S	6/1990	VanSkiver		
D308,588 S *	6/1990	Goetz	D30/109
D314,251 S *	1/1991	Van Skiver	D30/109

5,243,931 A	9/1993	McDonough		
5,357,900 A *	10/1994	Ho	119/479
D367,733 S *	3/1996	Paxman et al.	D30/109
D374,510 S *	10/1996	Barreto et al.	D30/108
5,632,231 A	5/1997	Moore		
D413,004 S	8/1999	Decarlo-Williams		
D432,740 S *	10/2000	Morley	D30/119
D456,710 S *	5/2002	Persson	D9/431
D469,929 S *	2/2003	Licciardello	D30/109
7,040,254 B1	5/2006	Rucker et al.		
D523,183 S *	6/2006	Harrington	D30/109
D608,954 S *	1/2010	Tharp	D30/109

* cited by examiner

Primary Examiner — John Windmuller

(74) *Attorney, Agent, or Firm* — Kyle Fletcher

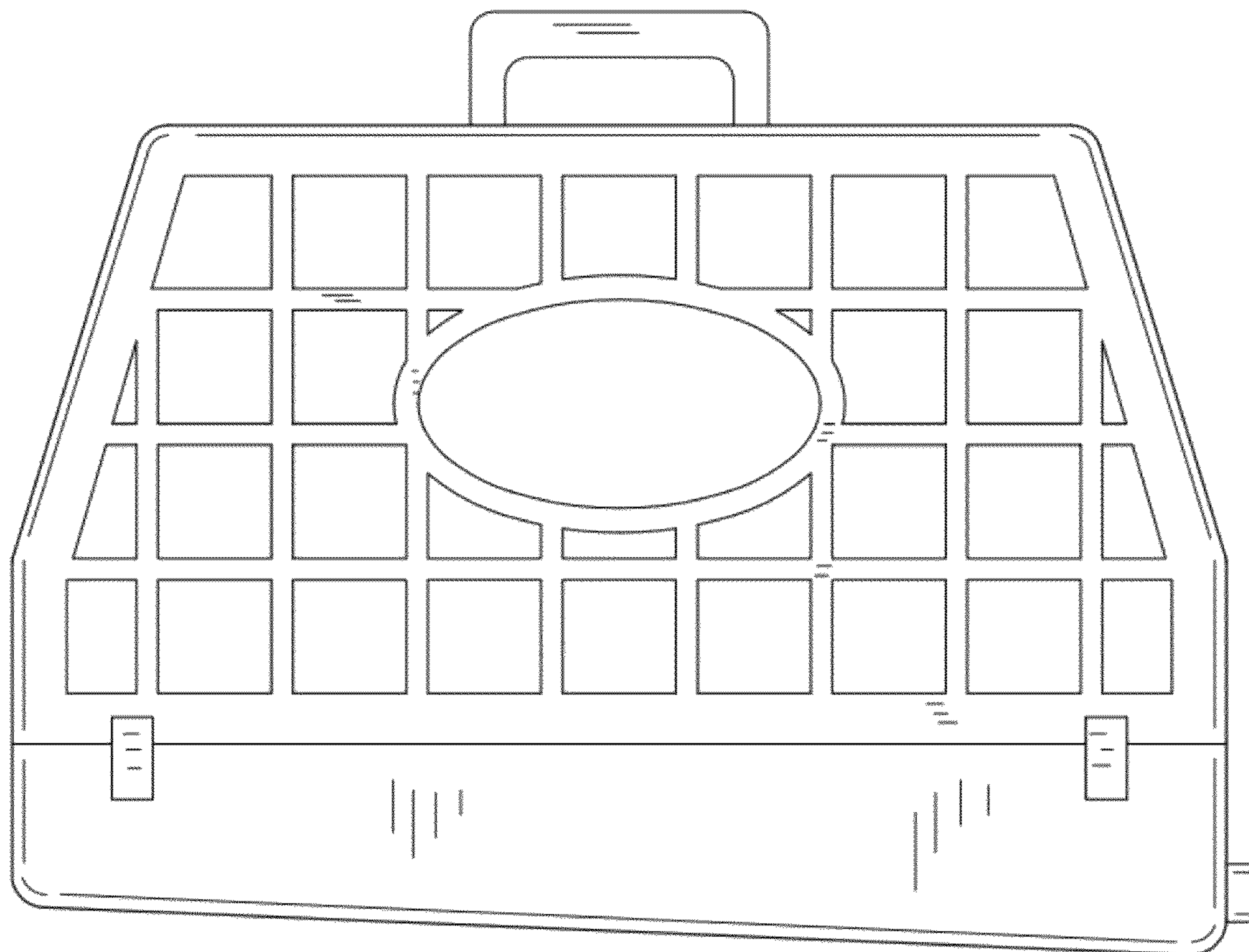
(57) **CLAIM**

I claim the ornamental design for a pet bath carrier, as shown and described.

DESCRIPTION

FIG. 1 is a right view of the pet bath carrier.
FIG. 2 is a left view of the claimed design.
FIG. 3 is a front view of the claimed design.
FIG. 4 is a rear view of the claimed design.
FIG. 5 is a top view of the claimed design.
FIG. 6 is a bottom view of the claimed design; and,
FIG. 7 is an isometric view of the claimed design.

1 Claim, 7 Drawing Sheets



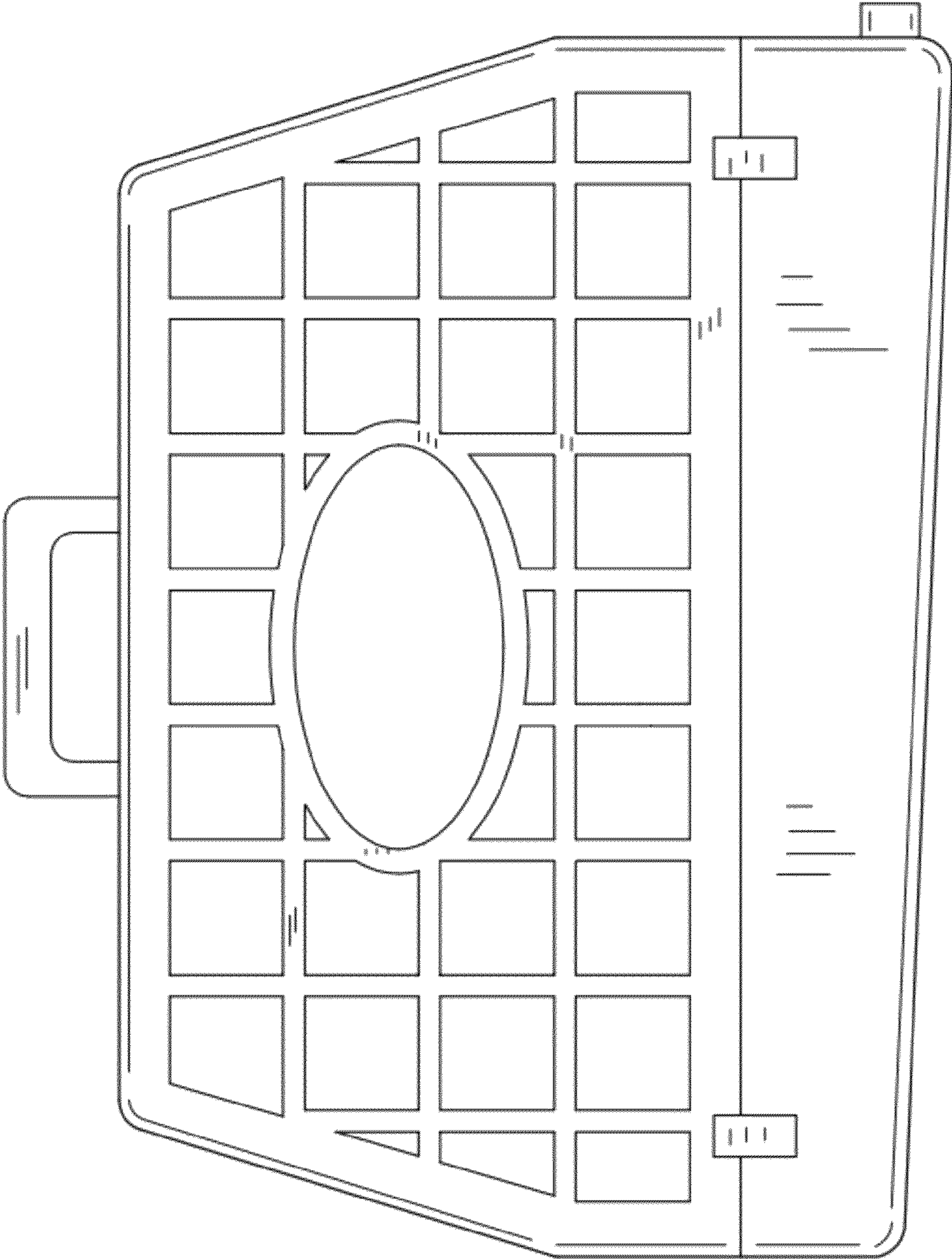


FIG. 1

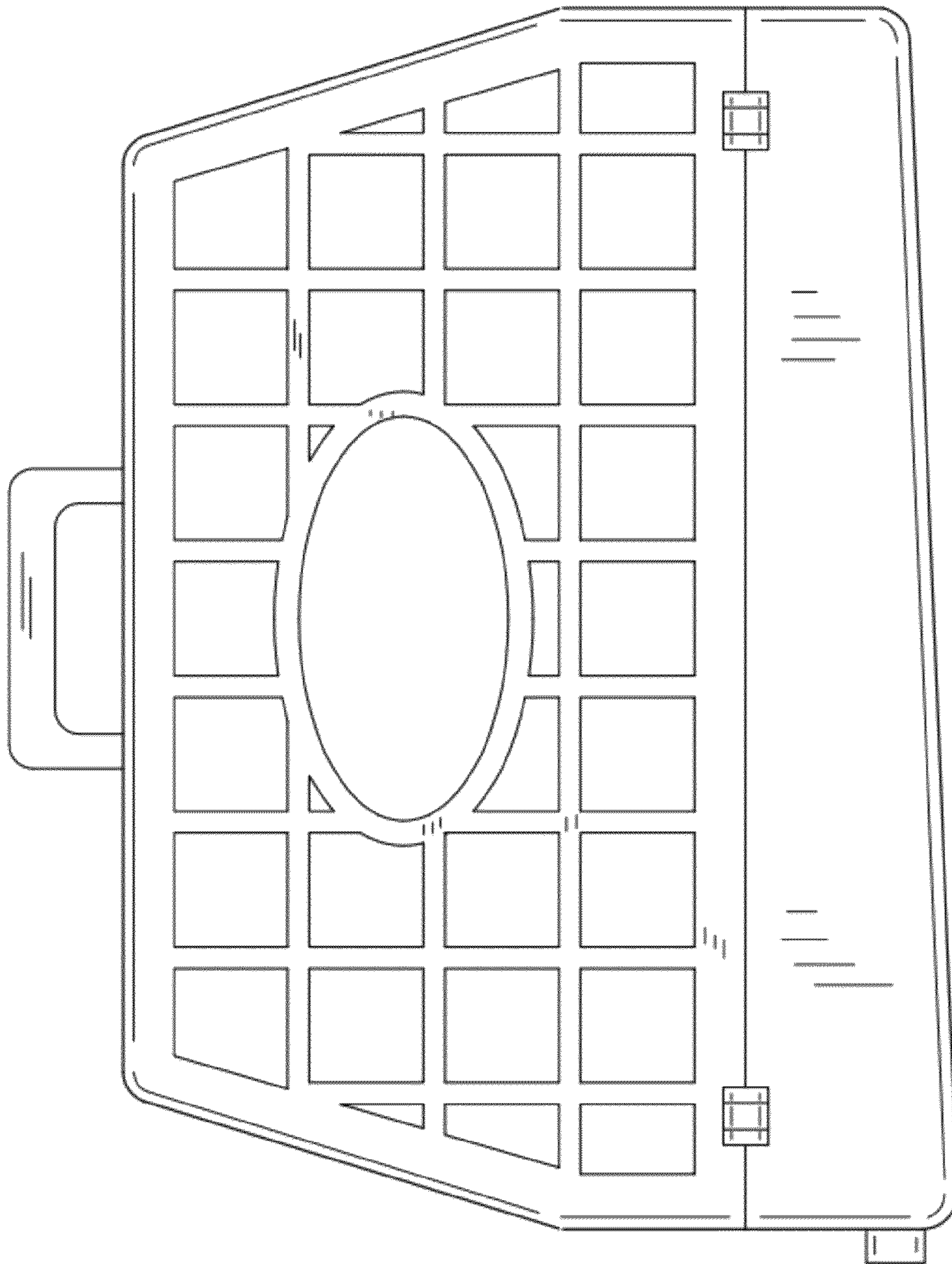


FIG. 2

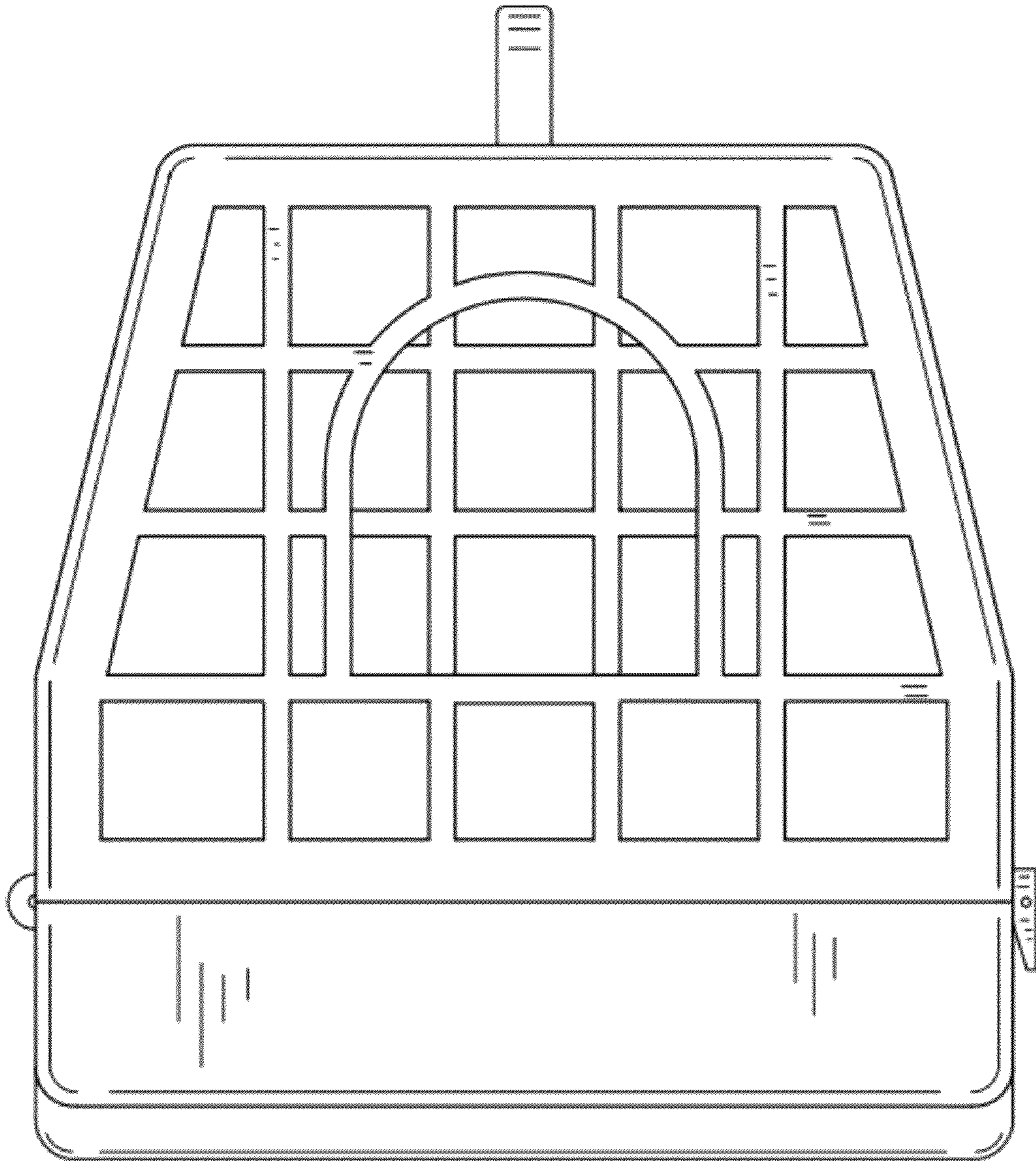


FIG. 3

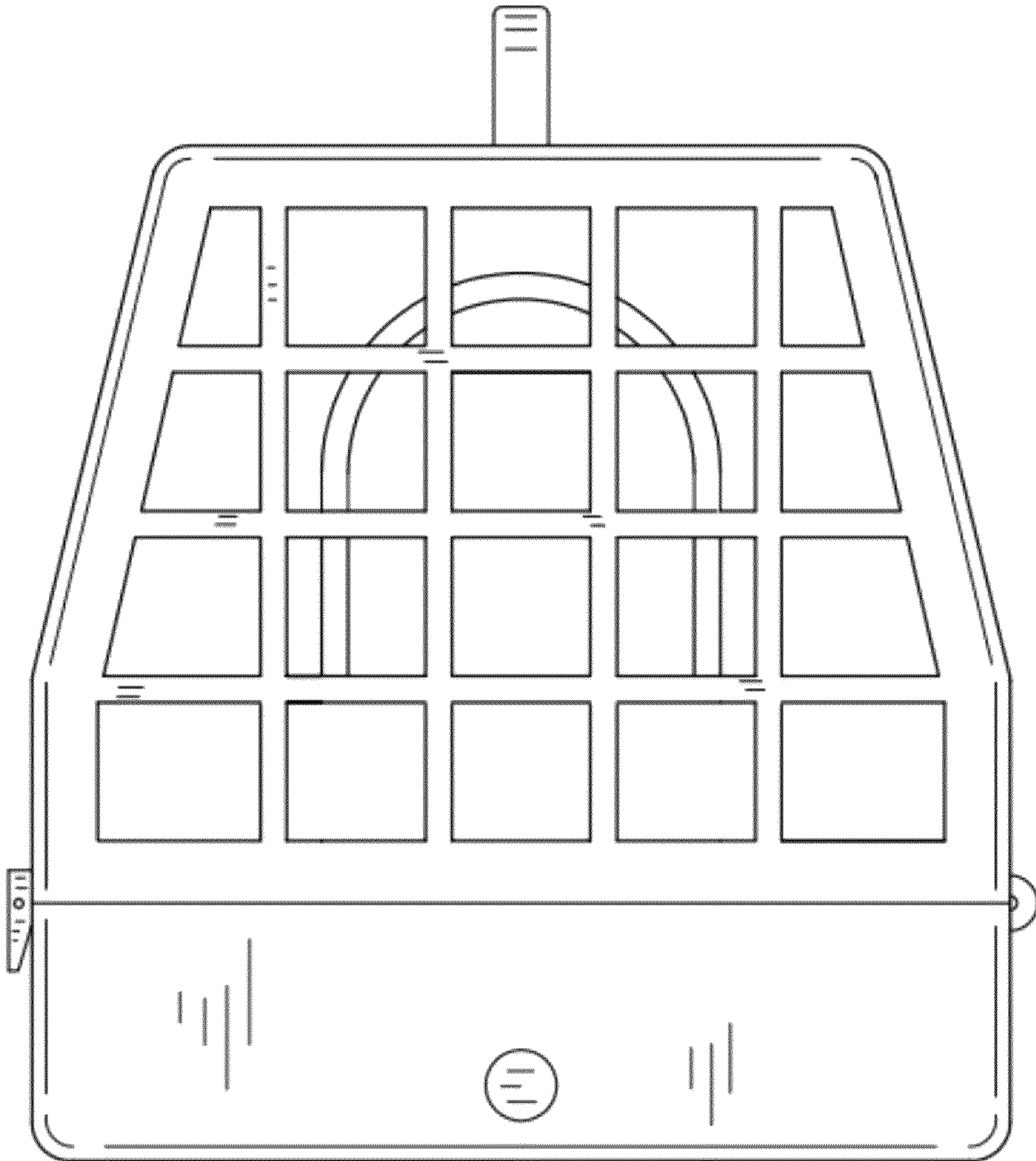


FIG. 4

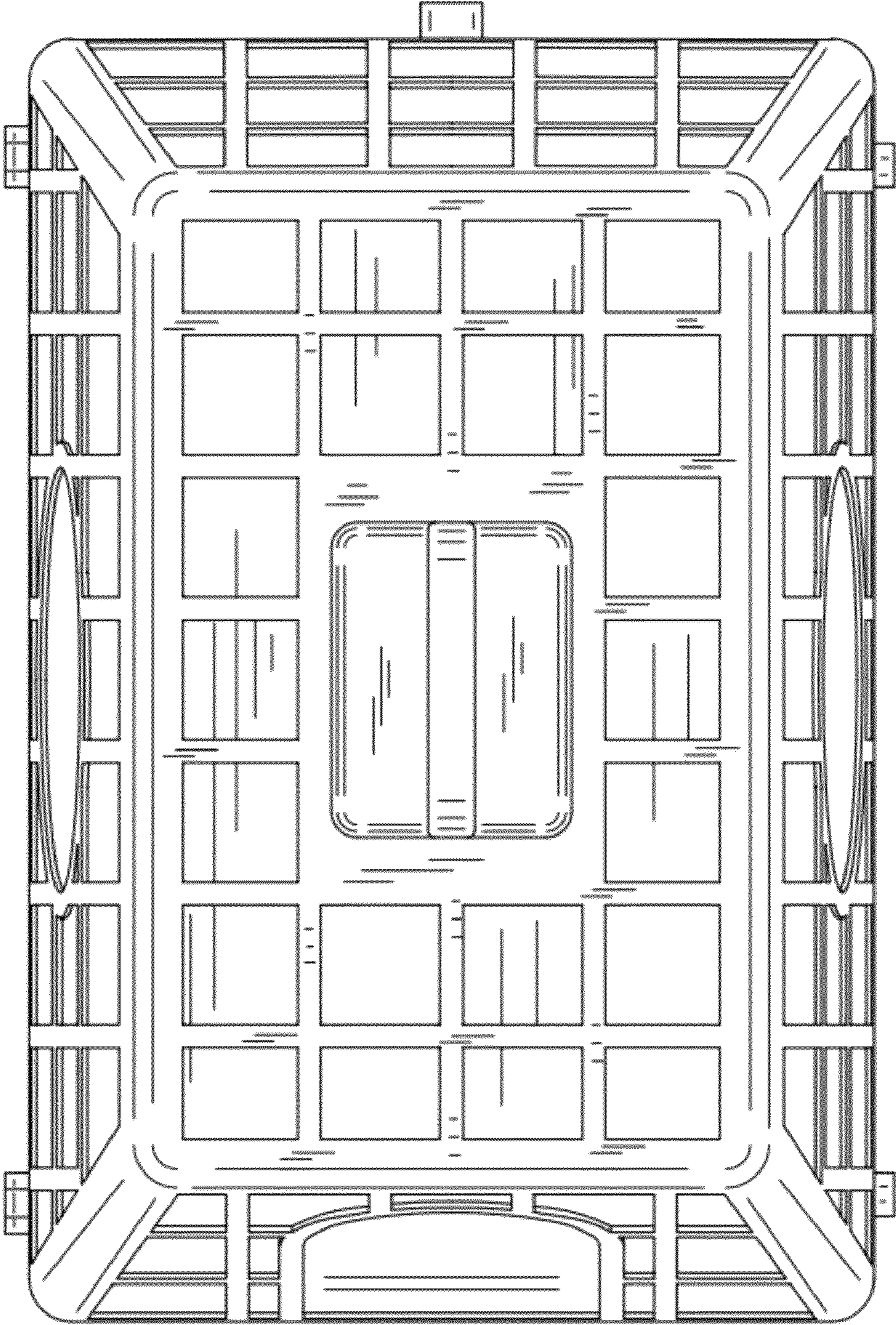


FIG. 5

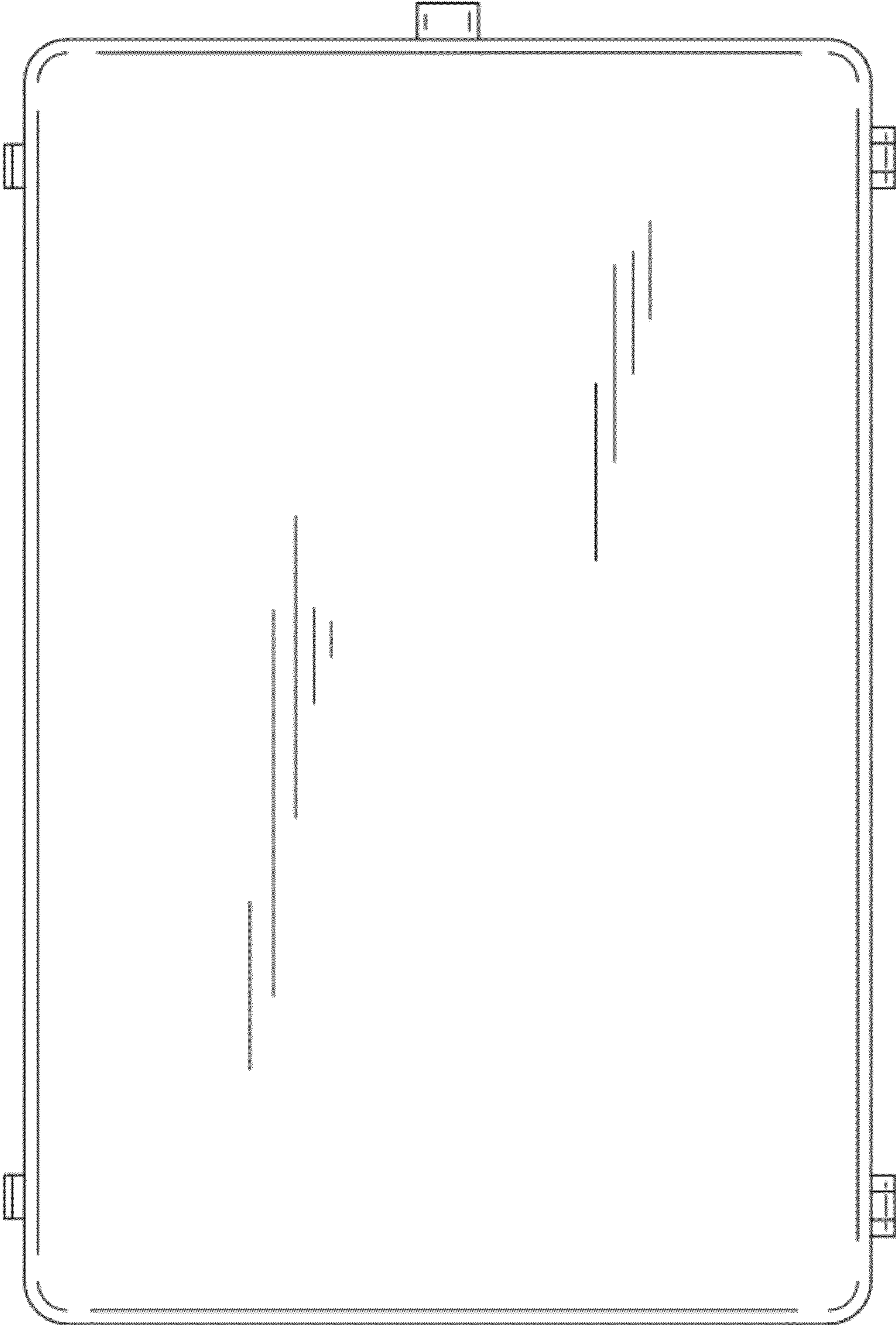


FIG. 6

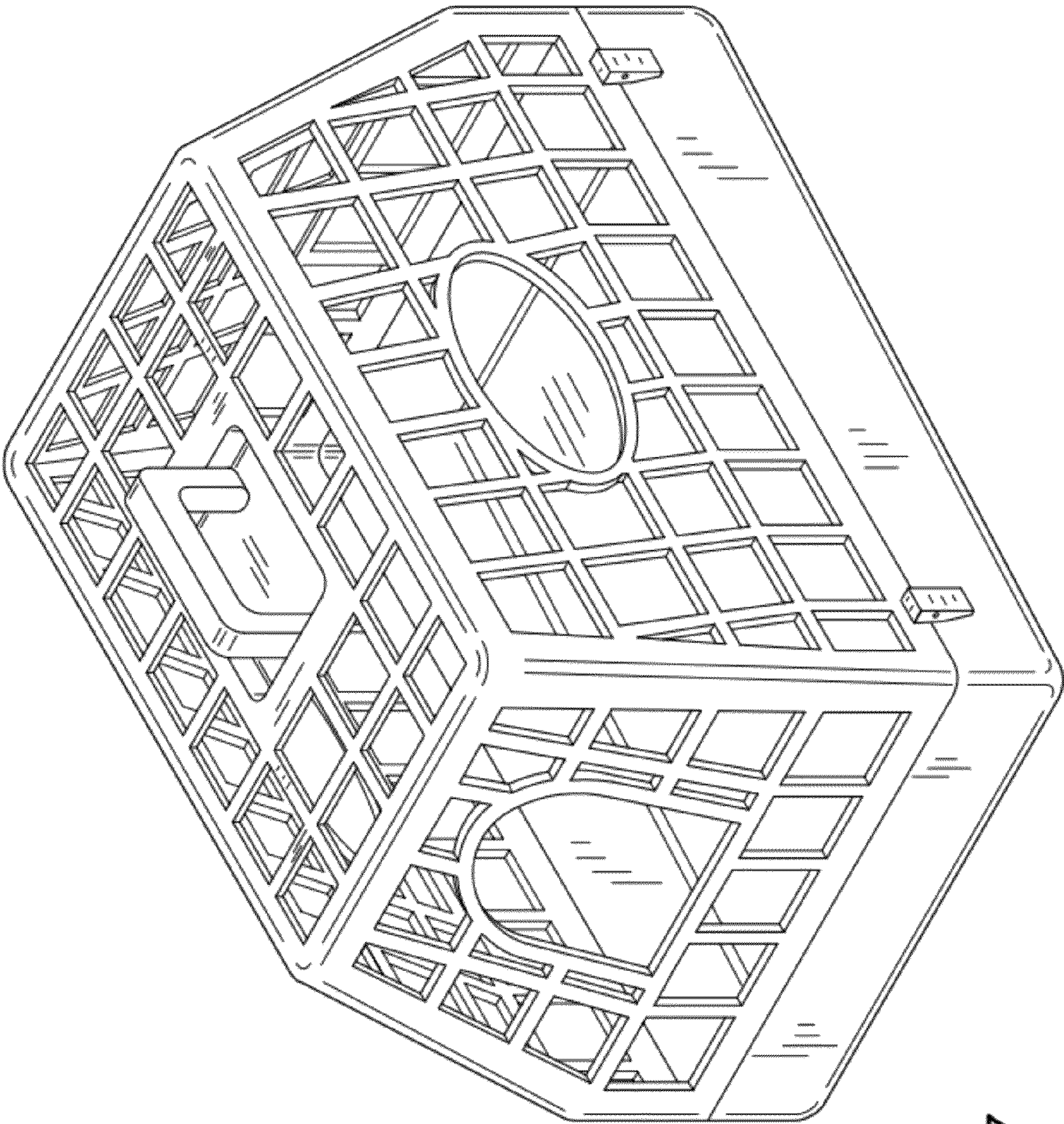


FIG. 7