



US00D665948S

(12) **United States Design Patent**
Jessemey et al.

(10) **Patent No.:** **US D665,948 S**

(45) **Date of Patent:** **** Aug. 21, 2012**

(54) **HAIR REMOVAL CARTRIDGE**
(75) Inventors: **Paul Michael Jessemey**, Lambourn
(GB); **Kevin James Wain**, Reading (GB)
(73) Assignee: **The Gillette Company**, Boston, MA
(US)
(**) Term: **14 Years**

7,200,942 B2 4/2007 Richard
D552,795 S 10/2007 Wonderley
D601,753 S * 10/2009 Cataudella et al. D28/47
D602,634 S * 10/2009 Cataudella et al. D28/46
D625,049 S * 10/2010 Bridges et al. D28/47
D636,532 S * 4/2011 Jessemey et al. D28/47
D648,076 S * 11/2011 Jessemey et al. D28/47
D658,809 S * 5/2012 Jessemey et al. D28/47
D661,020 S * 5/2012 Wain et al. D28/46
D661,427 S * 6/2012 Christie et al. D28/47
2007/0193042 A1 8/2007 Worrick et al.

(21) Appl. No.: **29/410,620**
(22) Filed: **Jan. 10, 2012**
(51) **LOC (9) Cl.** **28-03**
(52) **U.S. Cl.** **D28/47**
(58) **Field of Classification Search** D28/44-48;
30/32, 34.05, 34.1-34.2, 42-61, 77-84, 526-538,
30/346.5-346.61
See application file for complete search history.

FOREIGN PATENT DOCUMENTS

WO WO 2006/086314 A1 8/2006
* cited by examiner

Primary Examiner — Jennifer Rivard
(74) *Attorney, Agent, or Firm* — John M. Lipchitz; Kevin C. Johnson; Steven W. Miller

(57) **CLAIM**
The ornamental design for a hair removal cartridge, as shown and described.

(56) **References Cited**

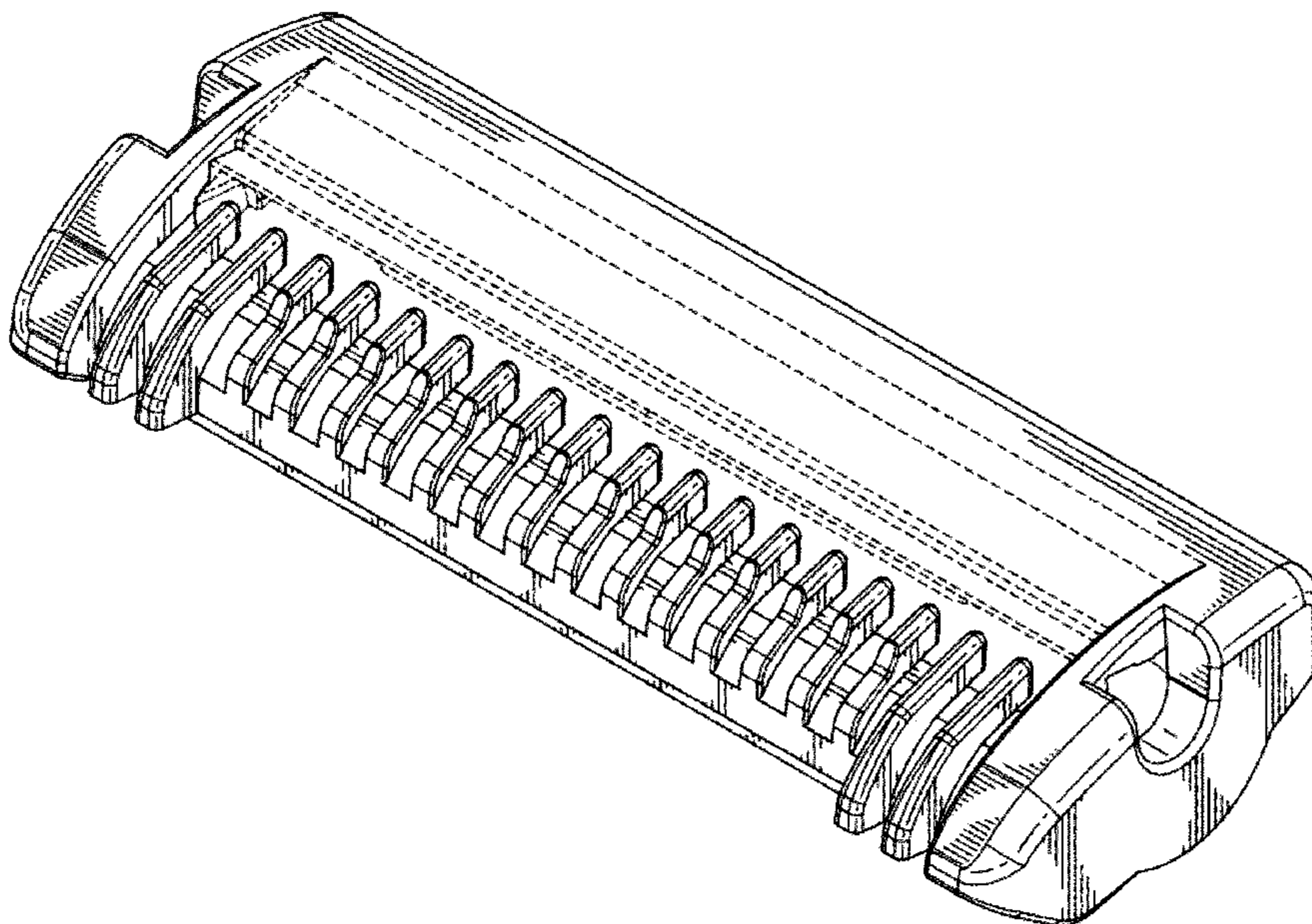
DESCRIPTION

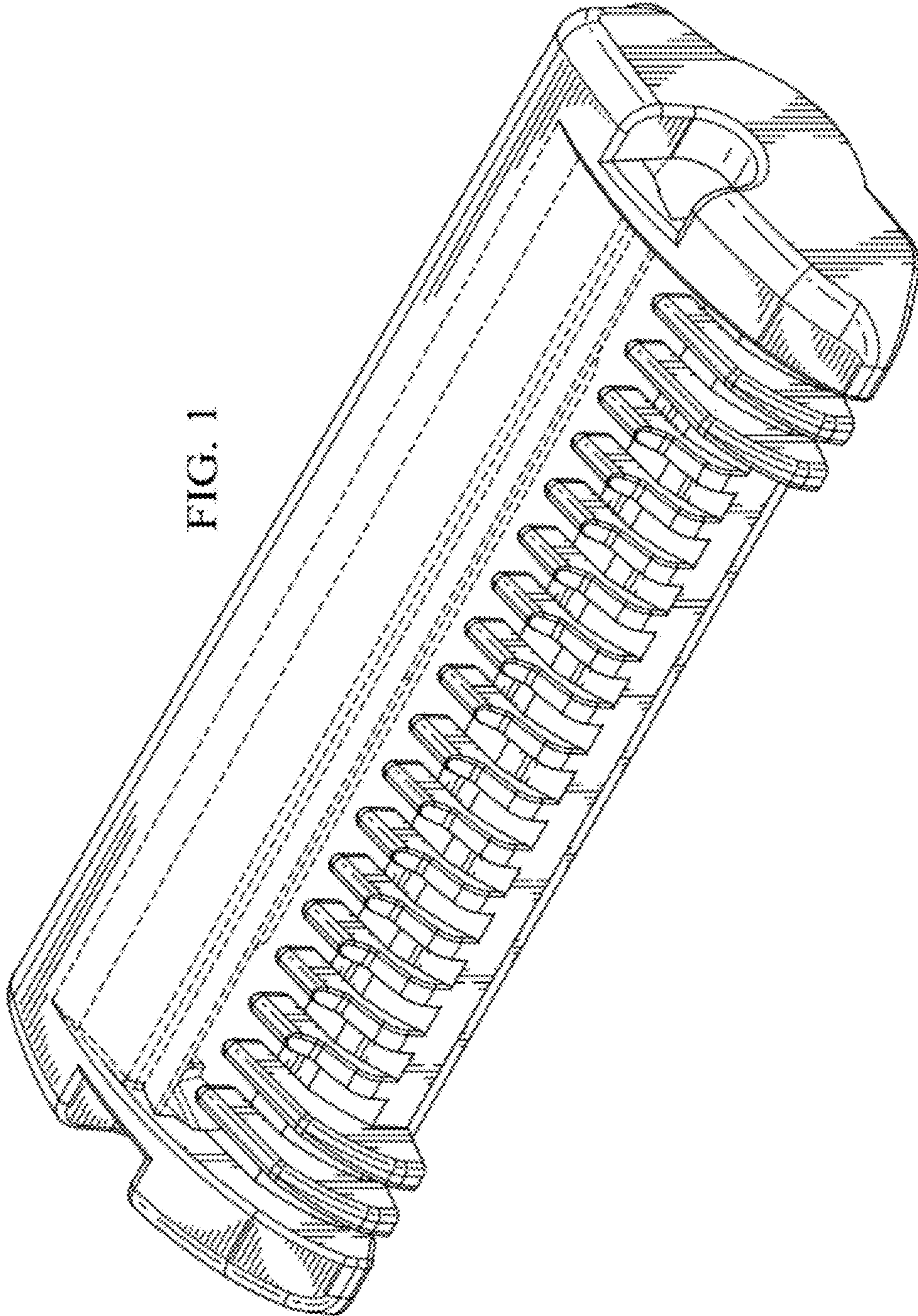
U.S. PATENT DOCUMENTS

1,497,647 A 6/1924 Smith
1,651,917 A 12/1927 Connolly
4,069,580 A 1/1978 Cartwright et al.
4,392,303 A 7/1983 Ciaffone
4,741,103 A 5/1988 Hultman
5,331,740 A 7/1994 Carson, III et al.
5,412,872 A 5/1995 Iderosa
5,475,923 A 12/1995 Ferraro
5,590,468 A 1/1997 Prochaska
5,630,275 A 5/1997 Wexler
5,855,071 A 1/1999 Apprille, Jr. et al.
D467,387 S 12/2002 Wonderley
6,584,696 B2 7/2003 Ferraro
D499,511 S 12/2004 Wakayama

FIG. 1 is a perspective view of a hair removal cartridge of the present invention;
FIG. 2 is a front view thereof;
FIG. 3 is a rear view thereof;
FIG. 4 is a right side view thereof;
FIG. 5 is a left side view thereof;
FIG. 6 is a top view thereof; and,
FIG. 7 is a bottom view thereof.
The broken lines are shown for illustrative purposes only and form no part of the claimed design.

1 Claim, 4 Drawing Sheets





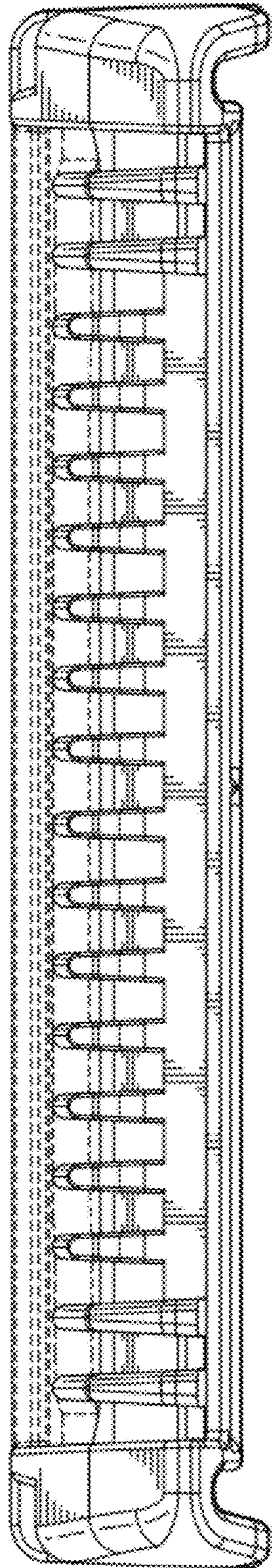


FIG. 2

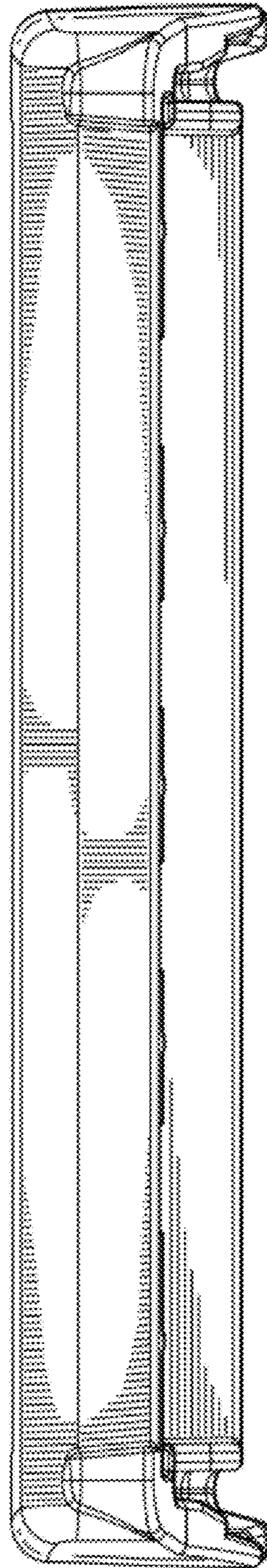


FIG. 3

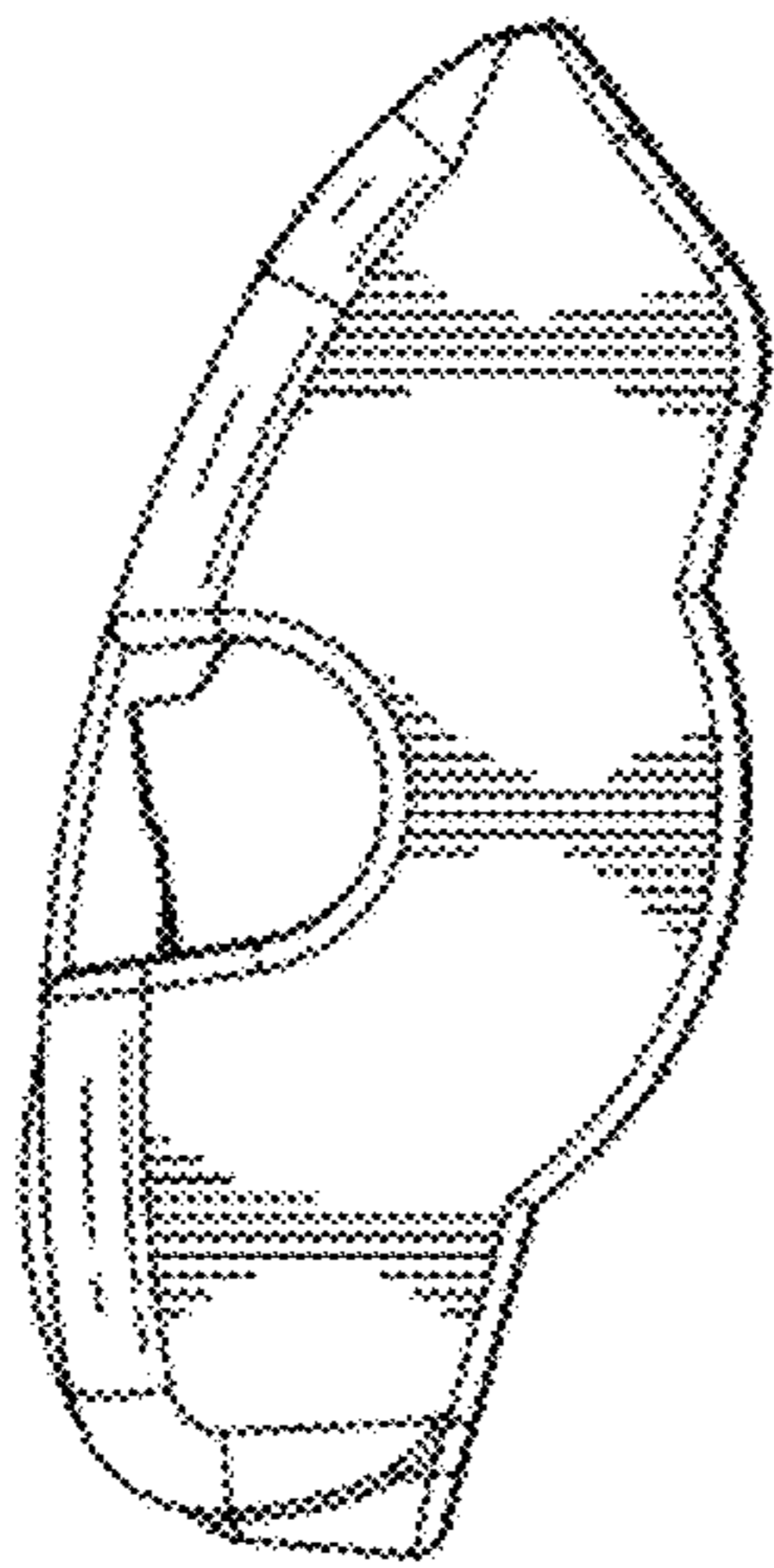


FIG. 4

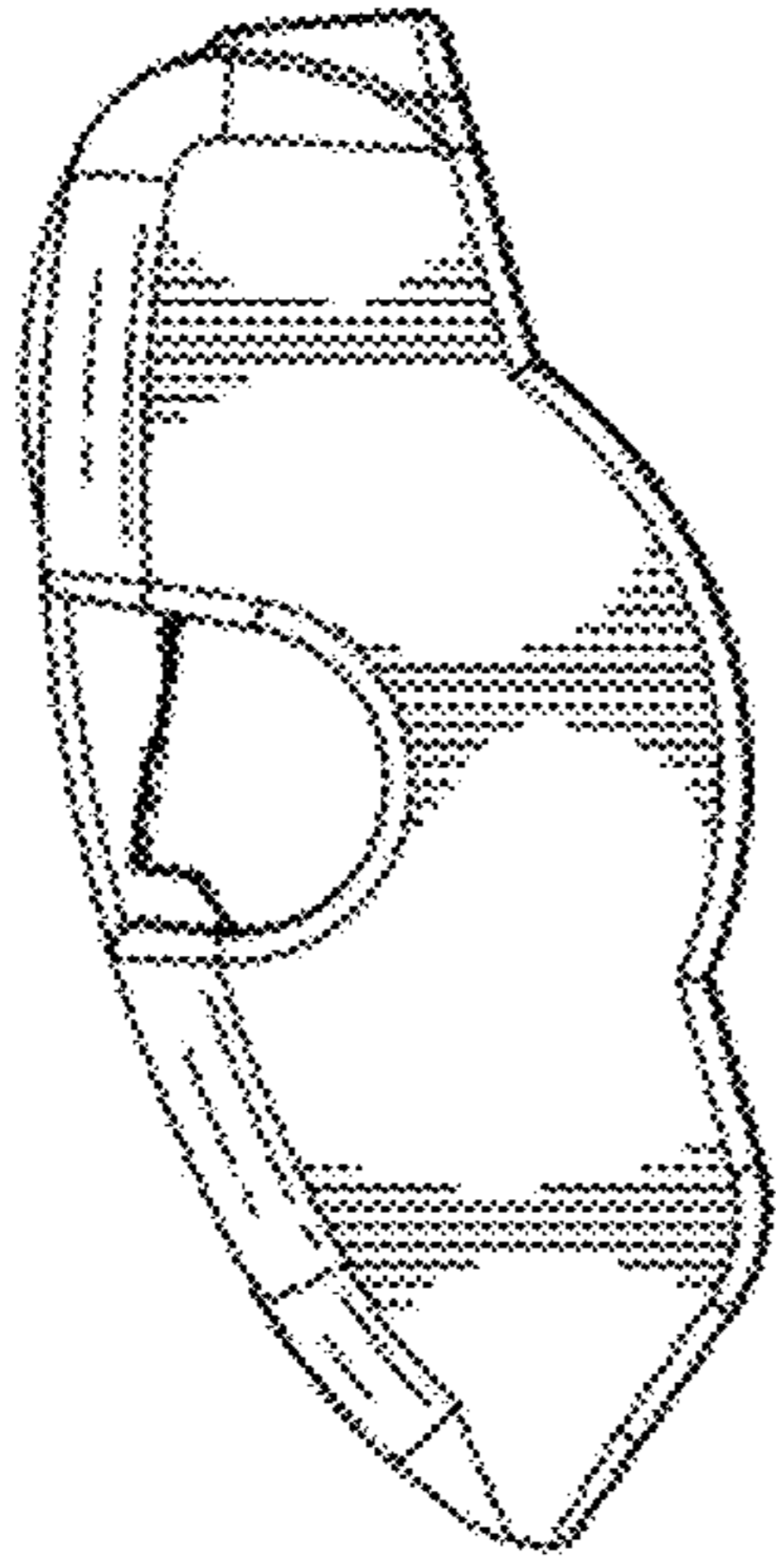


FIG. 5

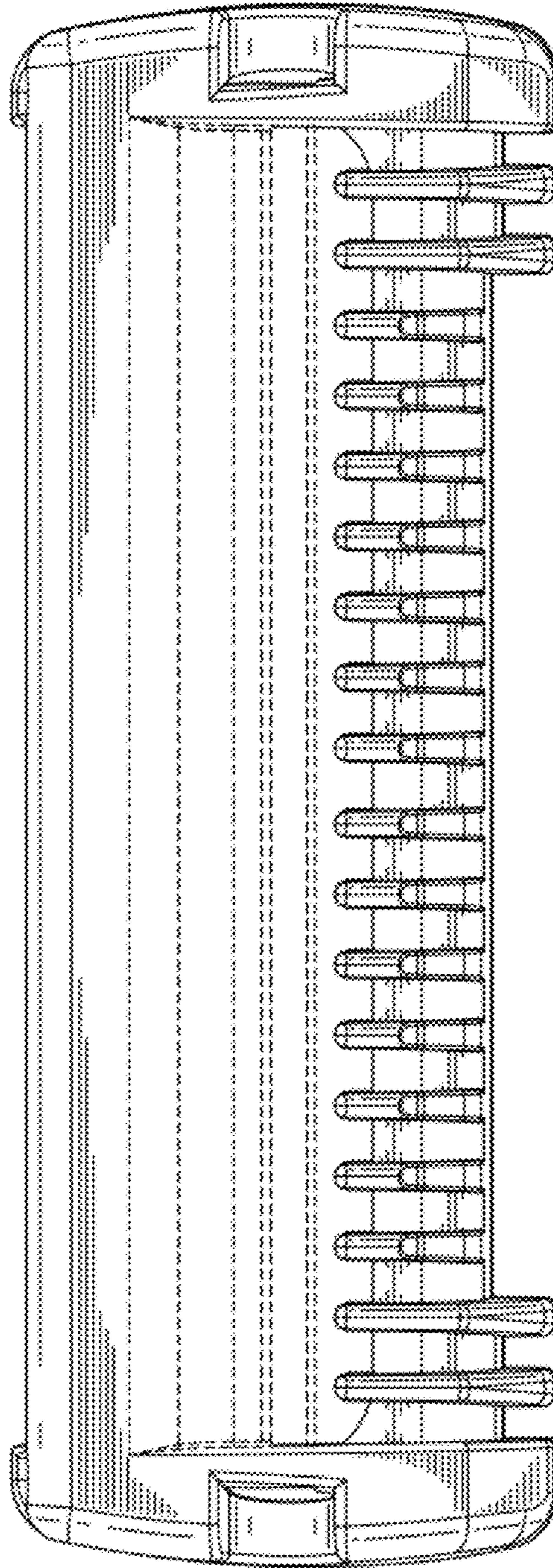


FIG. 6

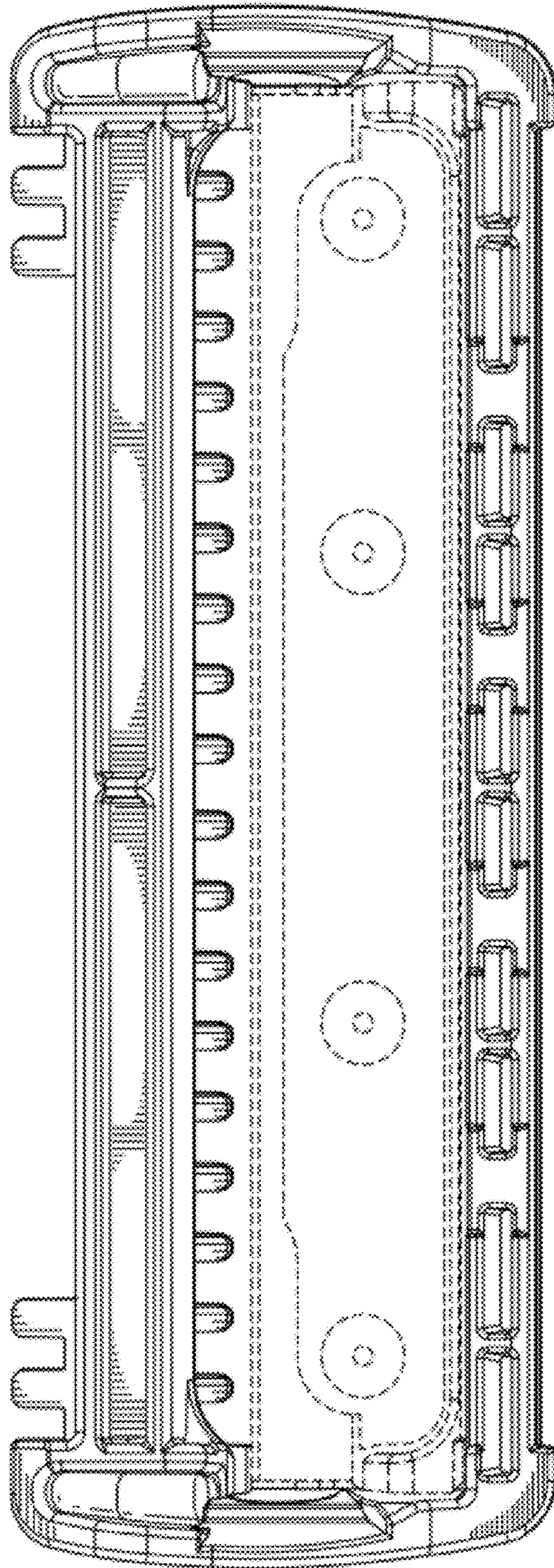


FIG. 7