



US00D665947S

(12) **United States Design Patent**
Bachmann et al.

(10) **Patent No.:** **US D665,947 S**

(45) **Date of Patent:** **** Aug. 21, 2012**

(54) **HAIR STRAIGHTENER**

(75) Inventors: **Christine Bachmann**, Frankfurt (DE);
Phong Duy Vu, Schwalbach (DE)

(73) Assignee: **Braun GmbH**, Cincinnati, OH (US)

(**) Term: **14 Years**

(21) Appl. No.: **29/376,595**

(22) Filed: **Oct. 8, 2010**

(30) **Foreign Application Priority Data**

Apr. 9, 2010 (WO) 542745901

(51) **LOC (9) Cl.** **28-03**

(52) **U.S. Cl.** **D28/35**

(58) **Field of Classification Search** D4/100,
D4/114, 133, 134, 120; 30/28, 29; D24/143,
D24/153; 132/74.5, 223, 224, 226, 228,
132/232, 233, 132, 248, 222, 251, 249, 238,
132/262, 123, 118, 121, 122, 227, 229, 237,
132/266, 285, 200; D30/158; D28/35, 9,
D28/10, 11, 12, 13, 37, 38, 73, 75, 55, 60,
D28/61, 44, 57, 58, 59; 219/222, 242, 218,
219/521, 226, 225, 229; D8/52; D32/35;
D7/686; D6/567, 608, 583; D3/205; 206/349
See application file for complete search history.

(56) **References Cited**

U.S. PATENT DOCUMENTS

6,554,000 B2 * 4/2003 Lin 132/232
D480,836 S * 10/2003 Kaizuka D28/35
D482,491 S * 11/2003 Maesawa et al. D28/35
D485,011 S * 1/2004 Nam D28/35
D504,541 S * 4/2005 Cho D28/35
D535,437 S * 1/2007 Ceva D28/35

D537,983 S * 3/2007 Shin D28/35
D538,977 S * 3/2007 Shin D28/35
D543,314 S * 5/2007 Morgandi D28/35
D544,646 S * 6/2007 Overend D28/35
7,243,661 B2 * 7/2007 Lun et al. 132/224
D567,440 S * 4/2008 Migliori et al. D28/35
D569,549 S * 5/2008 Leung D28/35
D575,453 S * 8/2008 Overend D28/35
D586,040 S * 2/2009 Kim D28/35
D596,791 S * 7/2009 Russo D28/35
D596,794 S * 7/2009 Keong D28/35
D596,800 S * 7/2009 Kwok D28/35
D599,058 S * 8/2009 Kim D28/35
D606,254 S * 12/2009 Leung D28/35
D609,401 S * 2/2010 Yang D28/35
2005/0081876 A1 * 4/2005 Choi 132/224
2006/0037625 A1 * 2/2006 Kayser et al. 132/224
2007/0209673 A1 * 9/2007 Choi 132/224
2007/0218746 A1 * 9/2007 Hur 439/369

* cited by examiner

Primary Examiner — Kevin Rudzinski

(74) *Attorney, Agent, or Firm* — Kim William Zerby; Brent M. Peebles

(57) **CLAIM**

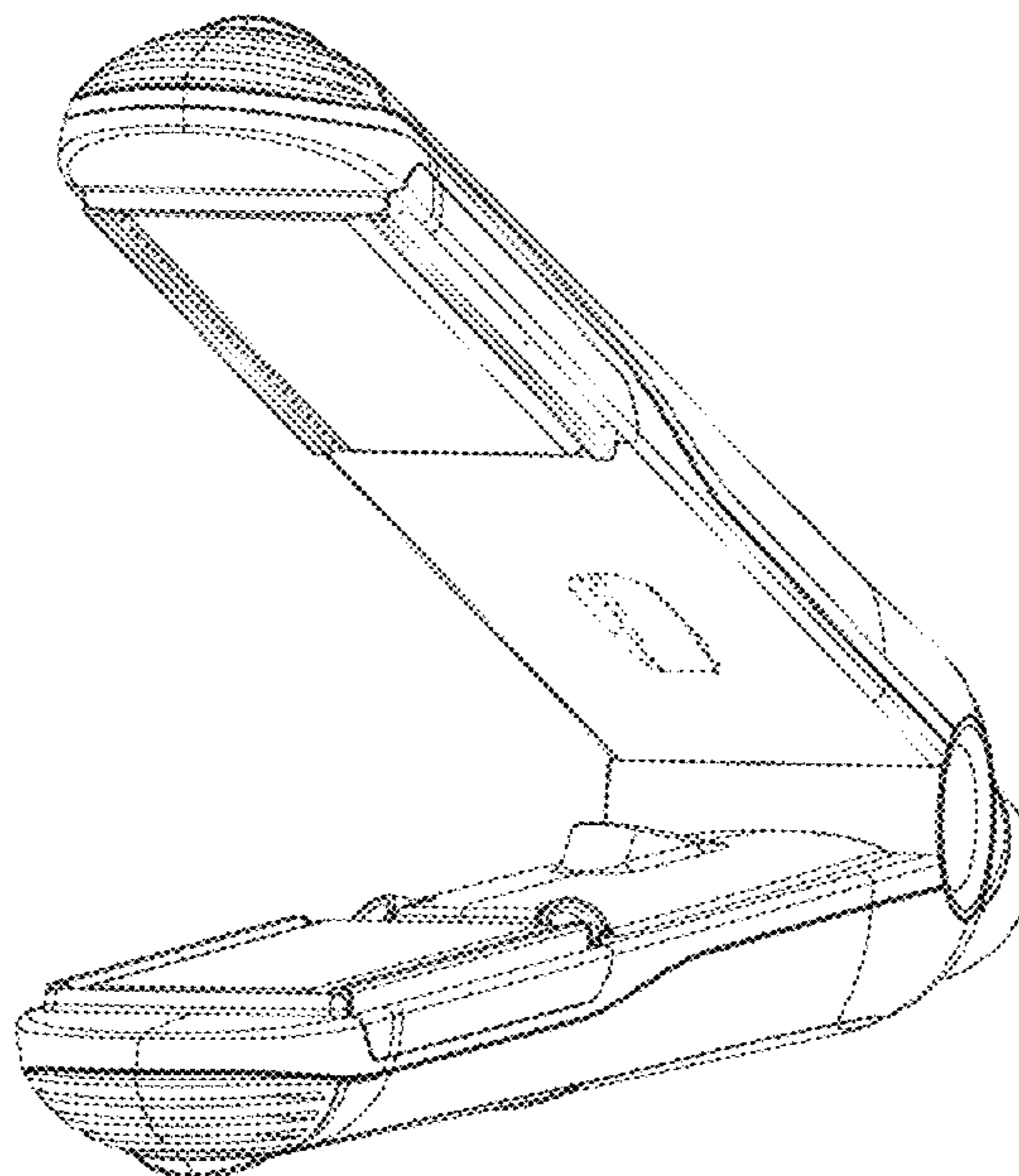
The ornamental design for a hair straightener, as shown and described above.

DESCRIPTION

FIG. 1 is a perspective view of a hair straightener;
FIG. 2 is a front view thereof;
FIG. 3 is a right side view thereof;
FIG. 4 is a rear view thereof;
FIG. 5 is a left side view thereof;
FIG. 6 is an enlarged top plan view thereof; and,
FIG. 7 is an enlarged bottom view thereof.

The broken lines shown in the drawings illustrate portions of the hair straightener that form no part of the claimed design.

1 Claim, 4 Drawing Sheets



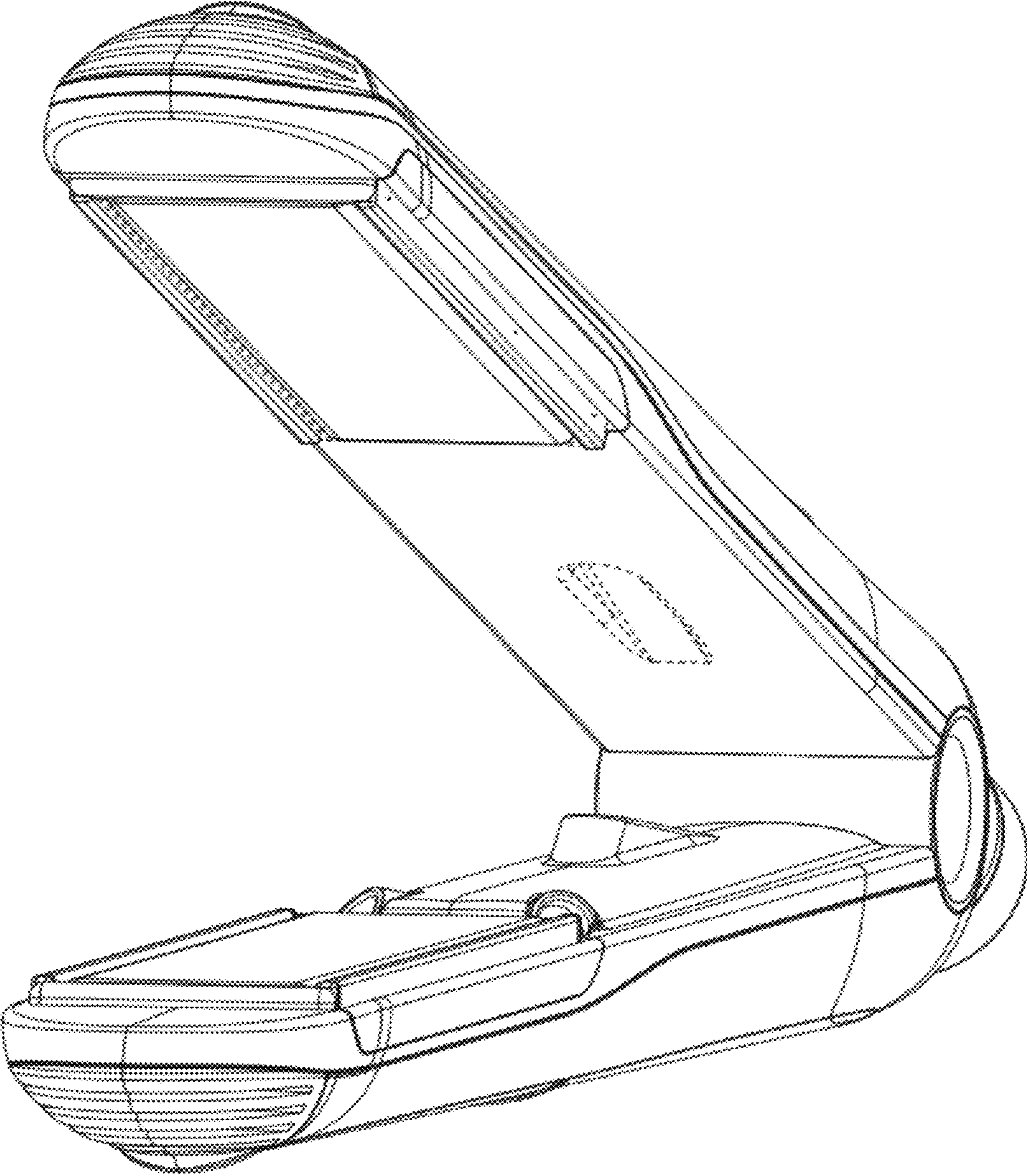


Fig. 1

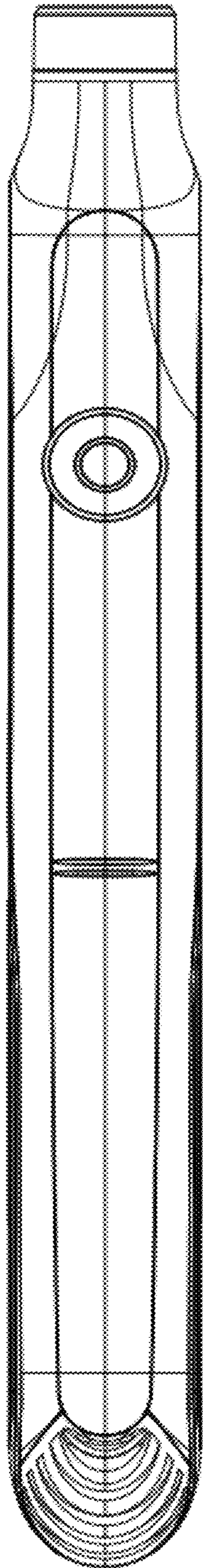


Fig. 2

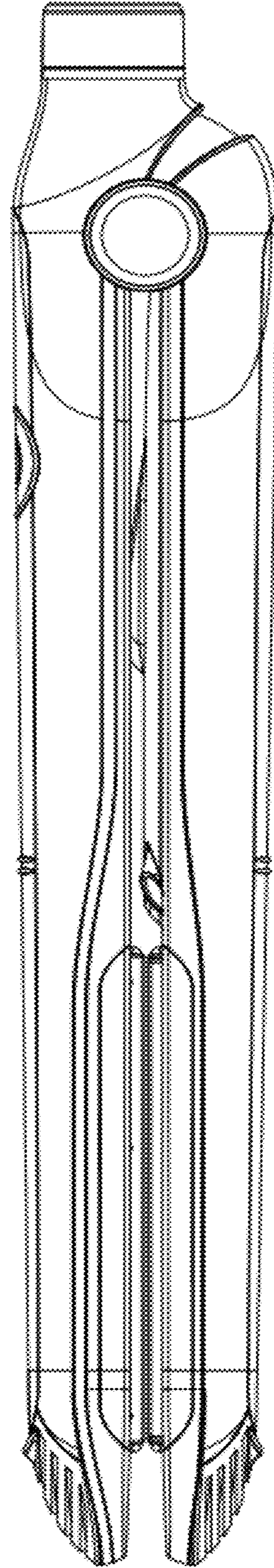


Fig. 3

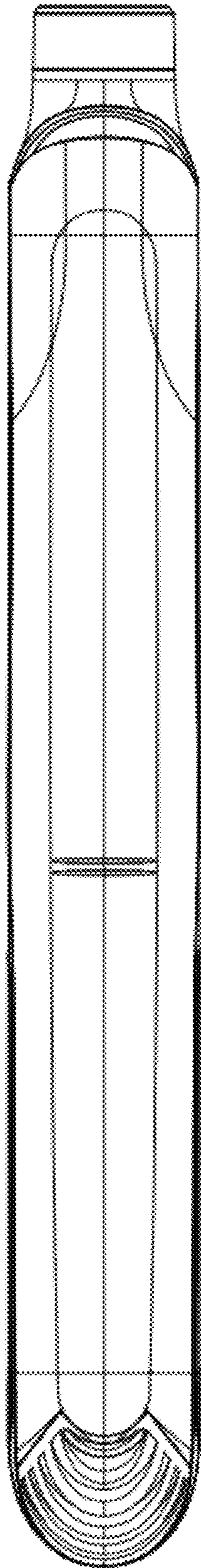


Fig. 4

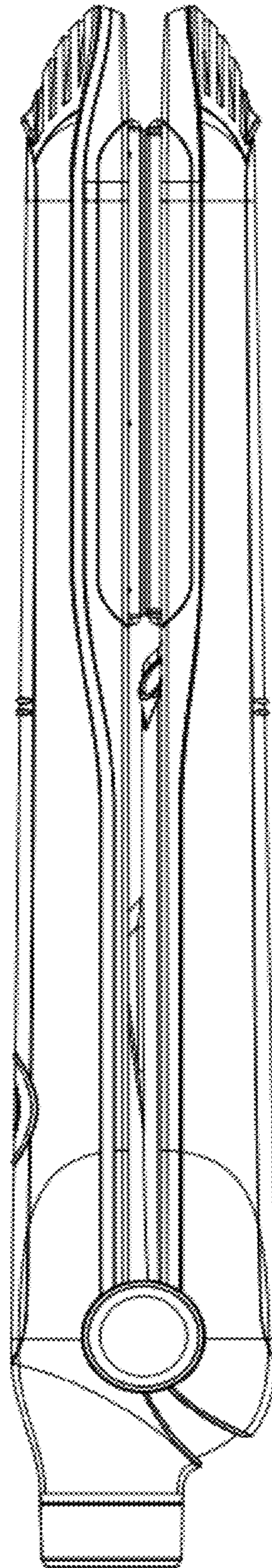


Fig. 5

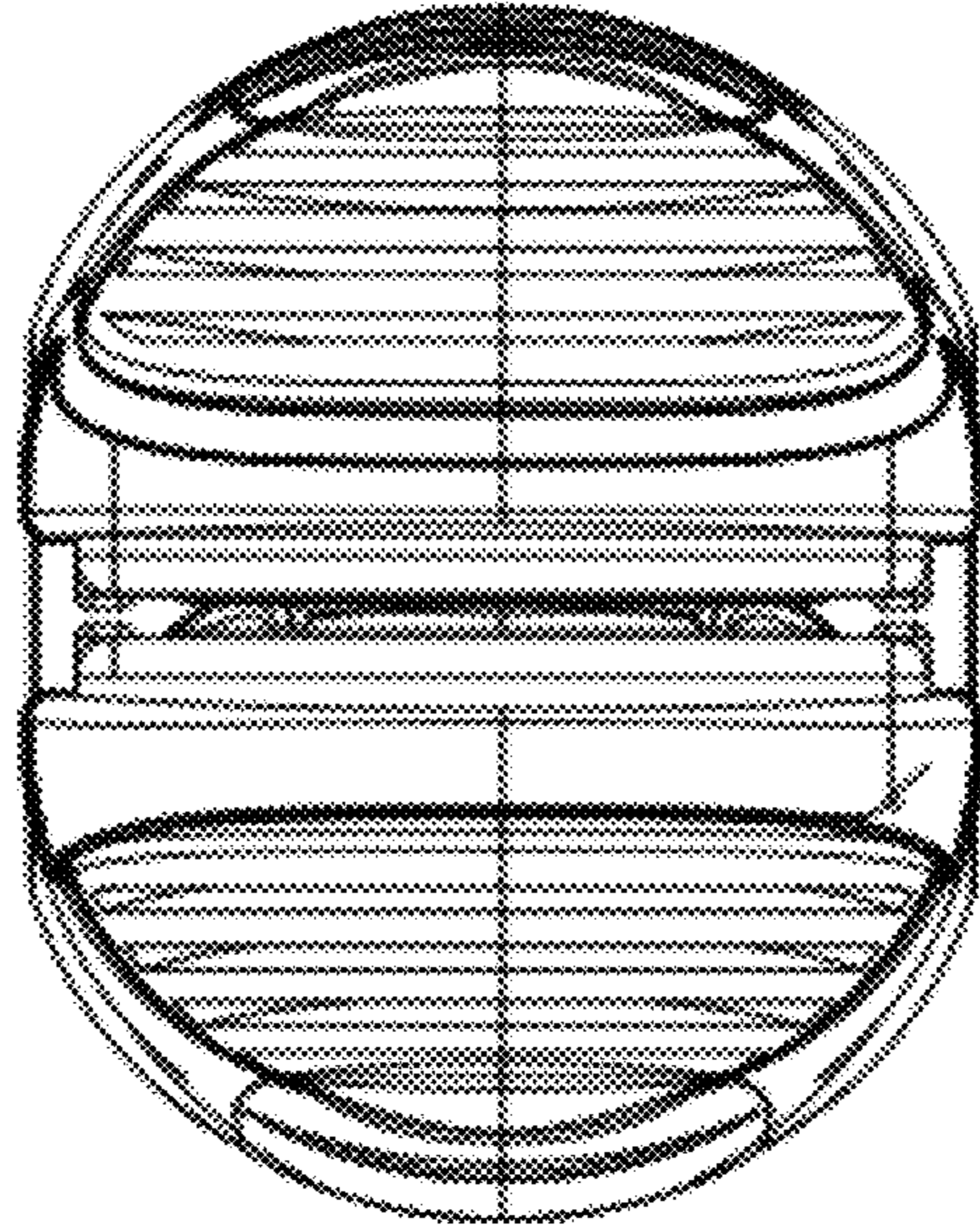


Fig. 6

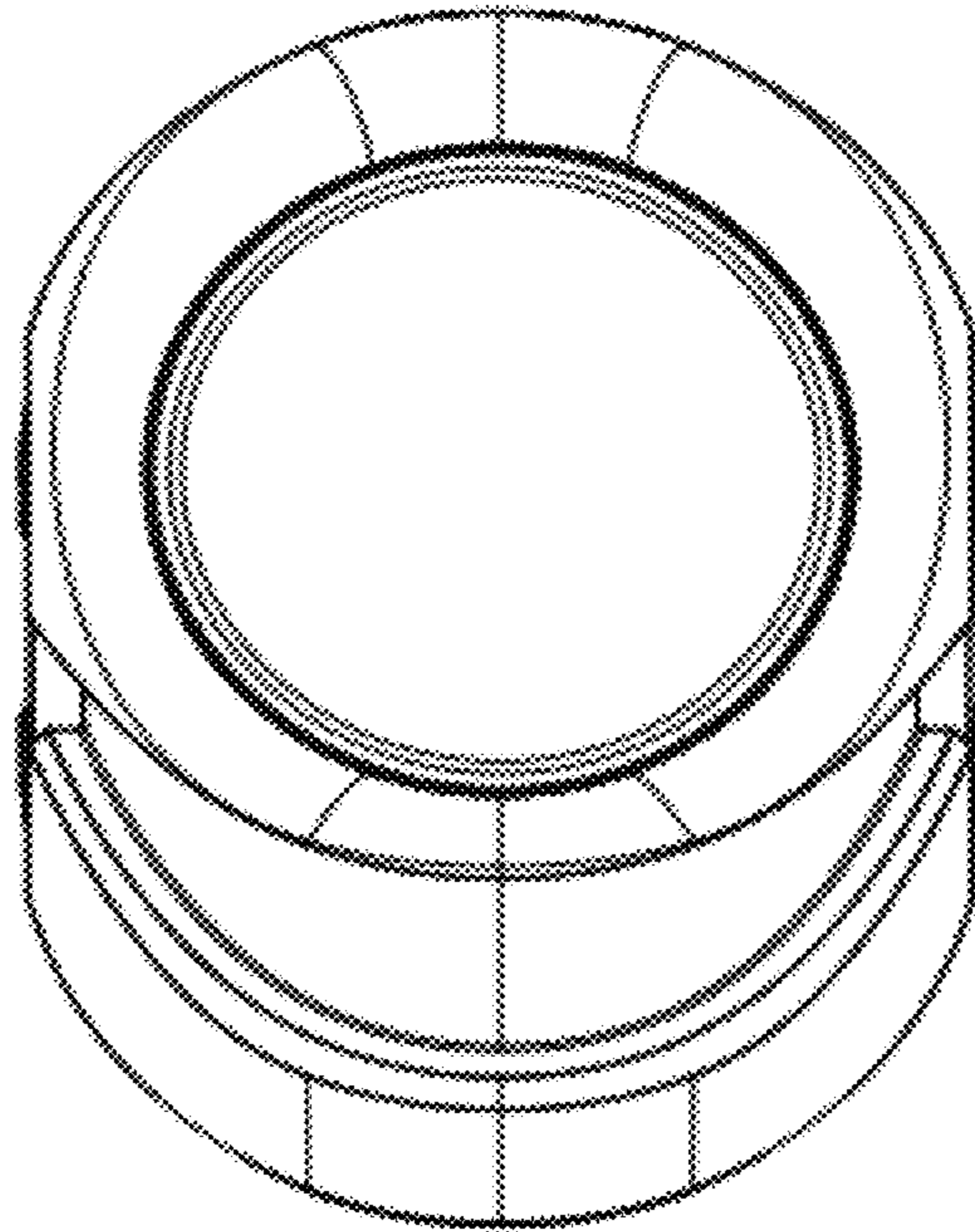


Fig. 7