



US00D665945S

(12) **United States Design Patent**
Macias et al.

(10) **Patent No.:** **US D665,945 S**

(45) **Date of Patent:** **** Aug. 21, 2012**

(54) **SOAP BAR**

(75) Inventors: **Jesus Macias**, Scottsdale, AZ (US);
Christopher Sommer, Phoenix, AZ
(US); **Rick Althouse**, Scottsdale, AZ
(US)

(73) Assignee: **The Dial Corporation**, Scottsdale, AZ
(US)

(**) Term: **14 Years**

(21) Appl. No.: **29/409,823**

(22) Filed: **Dec. 29, 2011**

(51) **LOC (9) Cl.** **28-02**

(52) **U.S. Cl.** **D28/8.1**

(58) **Field of Classification Search** D28/4,
D28/8.1-8.2; D24/100-102; 510/133, 141-148,
510/440, 447-450

See application file for complete search history.

(56) **References Cited**

U.S. PATENT DOCUMENTS

1,618,323 A * 2/1927 Blomstrom 510/139
D243,631 S * 3/1977 Morrison D28/8.1

D245,039 S * 7/1977 Morrison D28/8.1
D245,879 S * 9/1977 Morrison D28/8.1
D470,271 S * 2/2003 Crawford D28/8.1
D485,943 S * 1/2004 Wong et al. D28/8.1
D608,944 S * 1/2010 Gutfleisch et al. D28/8.1
D610,753 S * 2/2010 Moskowitz D32/40

* cited by examiner

Primary Examiner — Jennifer Rivard

(74) *Attorney, Agent, or Firm* — David K. Benson

(57) **CLAIM**

The ornamental design for a soap bar, as shown.

DESCRIPTION

FIG. 1 is a top and side perspective view of a soap bar embodying our new design;

FIG. 2 is a front side elevational view thereof, the rear side elevational view being a mirror image thereof;

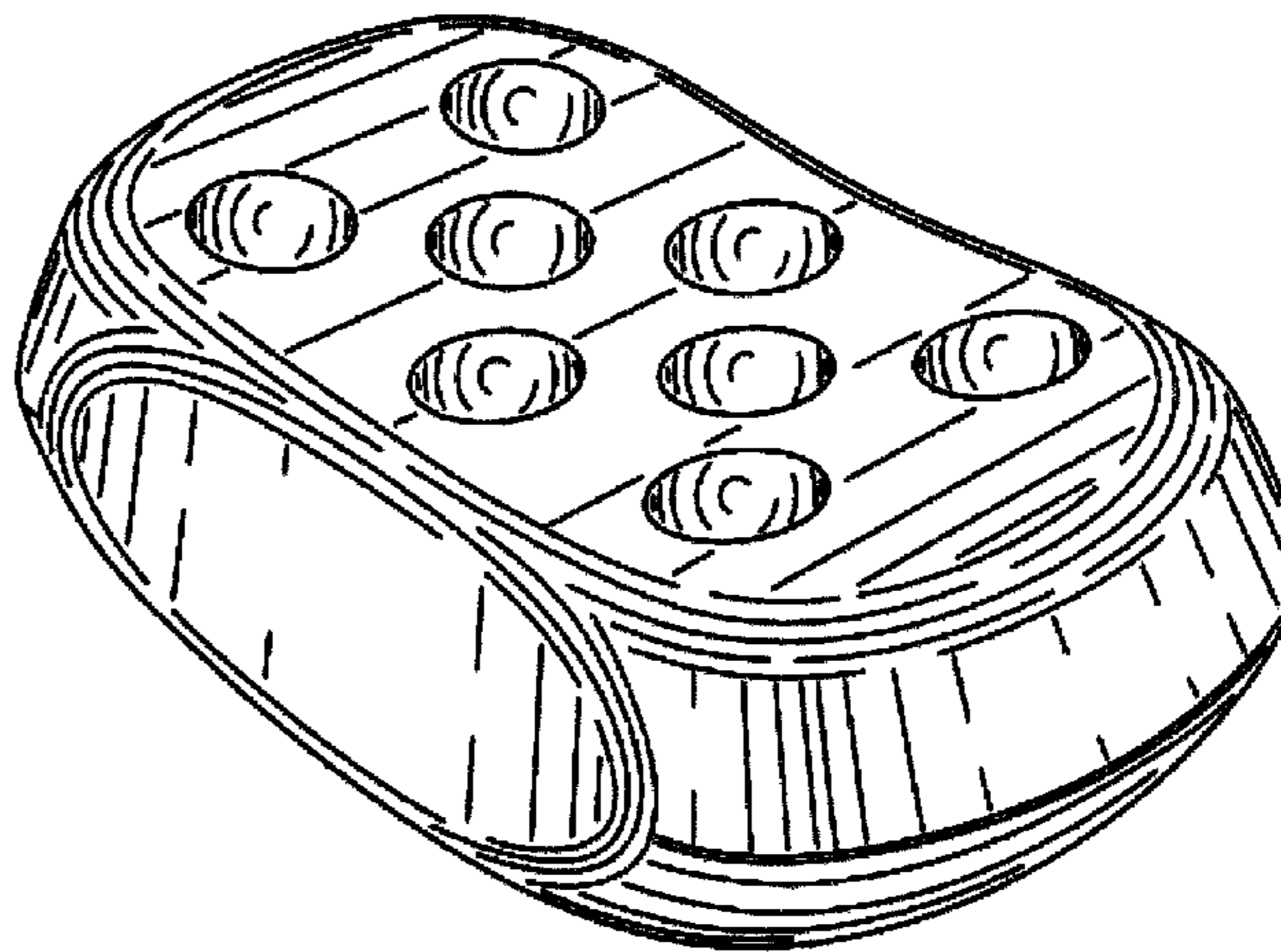
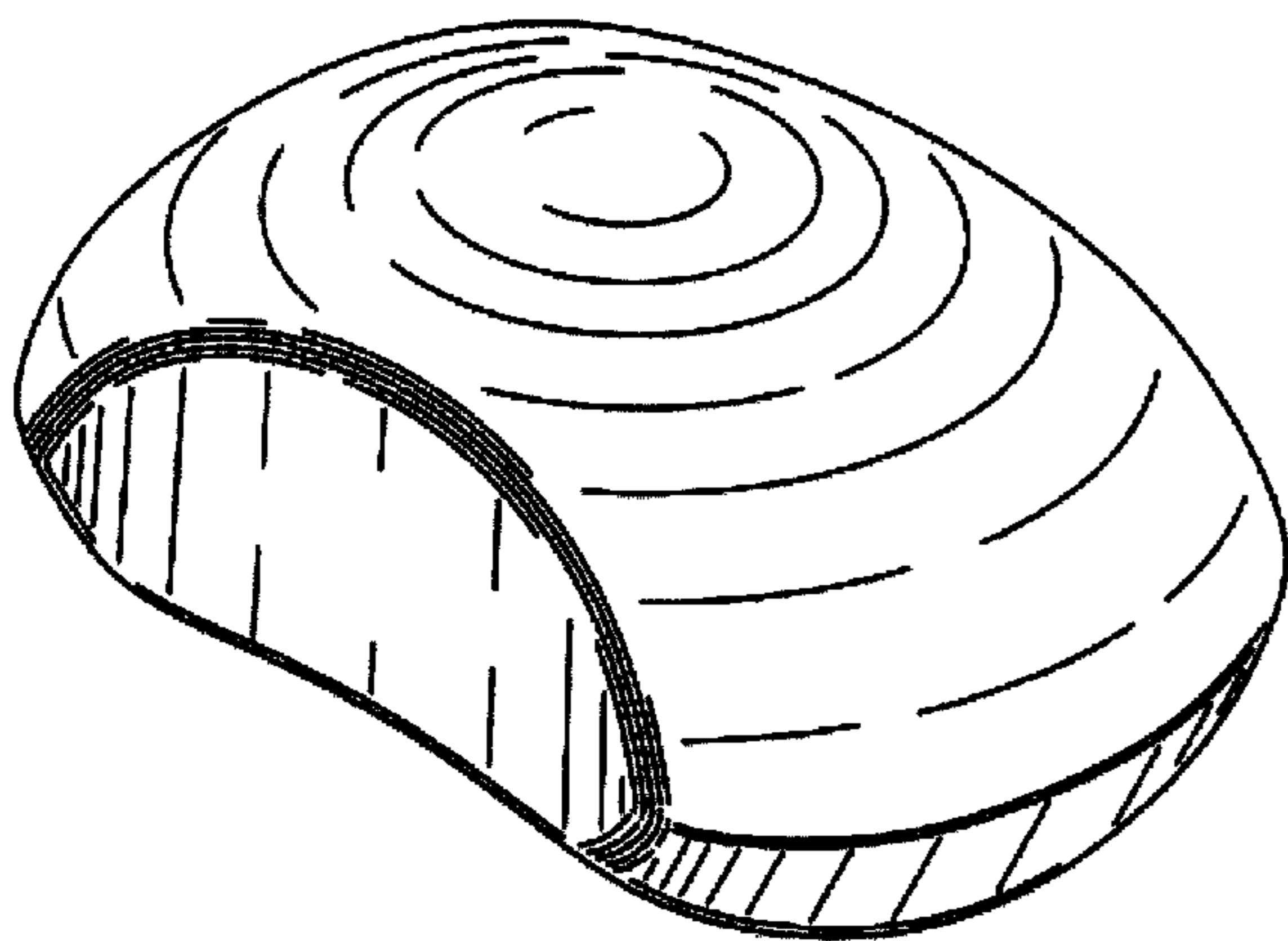
FIG. 3 is a right side elevational view thereof, the left side elevational view being a mirror image thereof;

FIG. 4 is a top plan view thereof;

FIG. 5 is a bottom plan view thereof; and,

FIG. 6 is a bottom and side perspective view thereof.

1 Claim, 4 Drawing Sheets



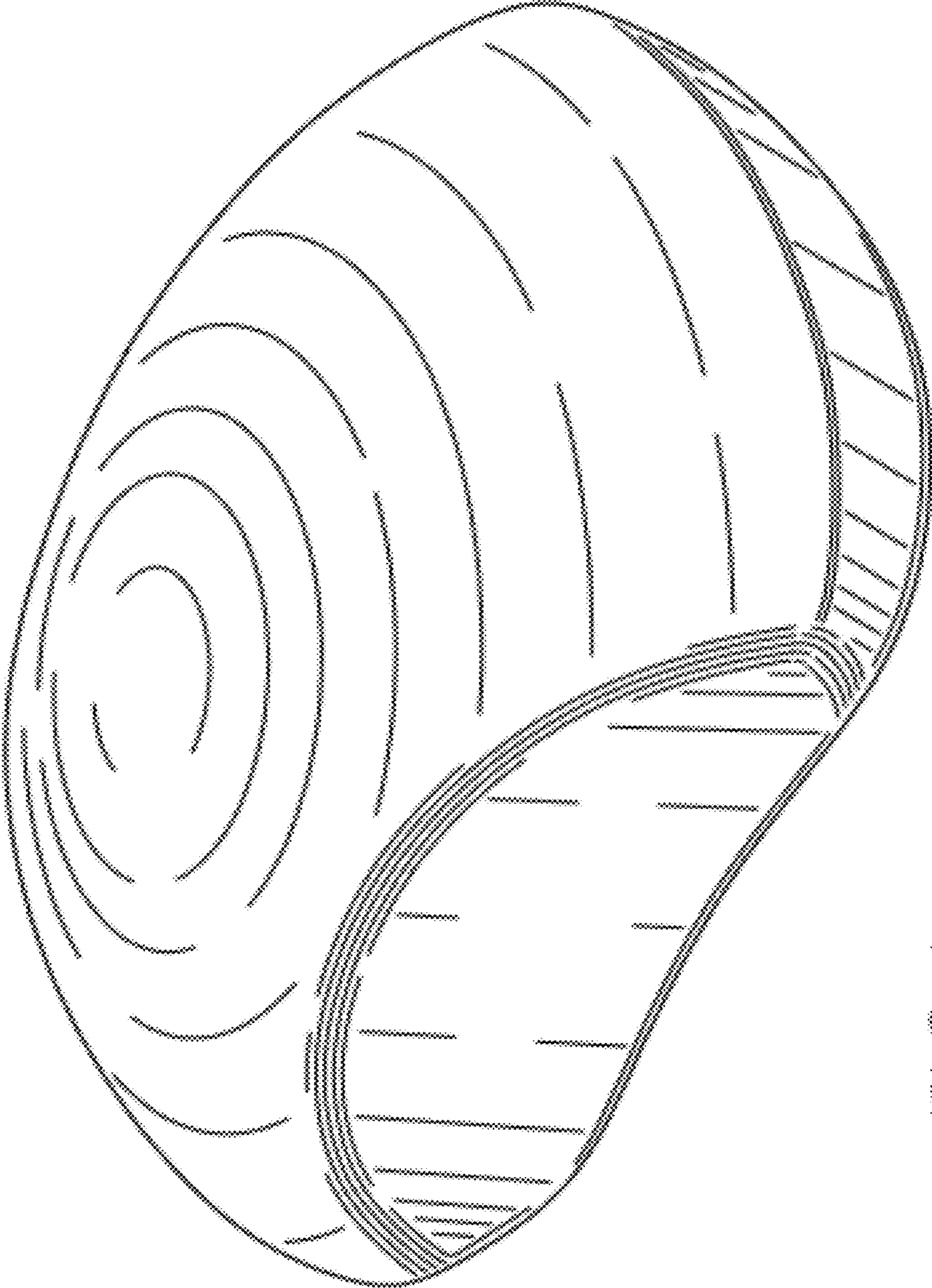


FIG. 1

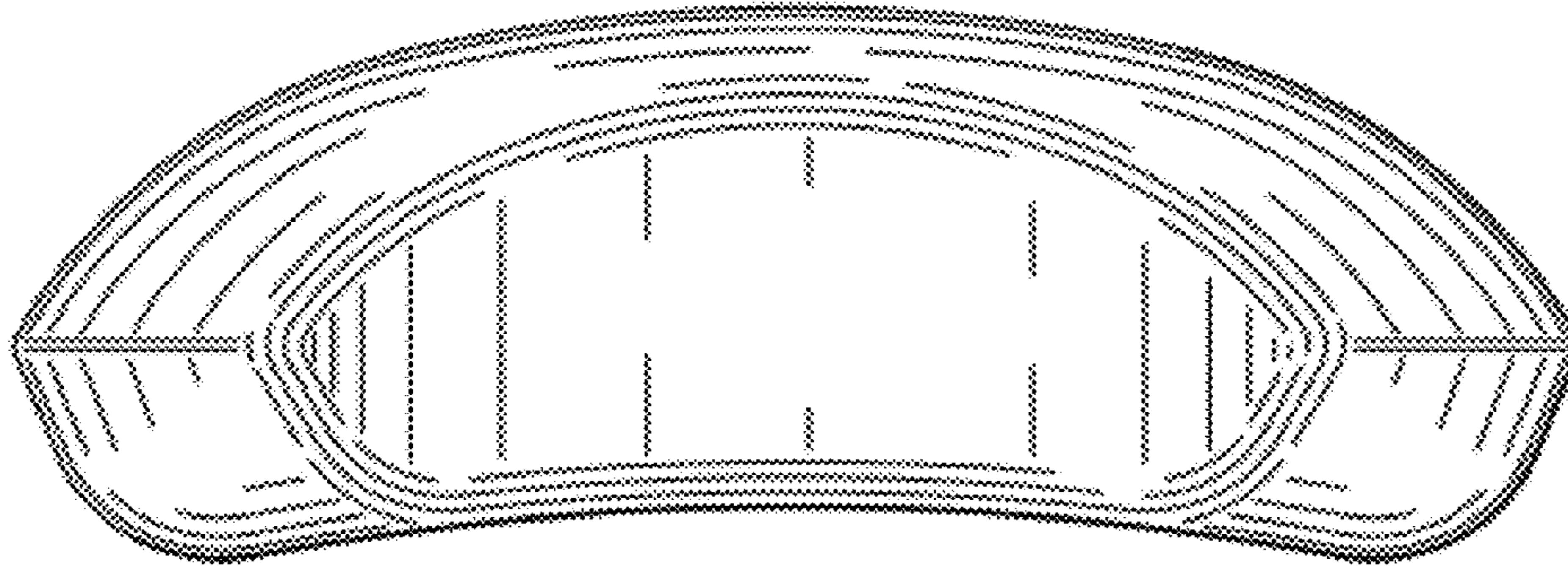


FIG. 2

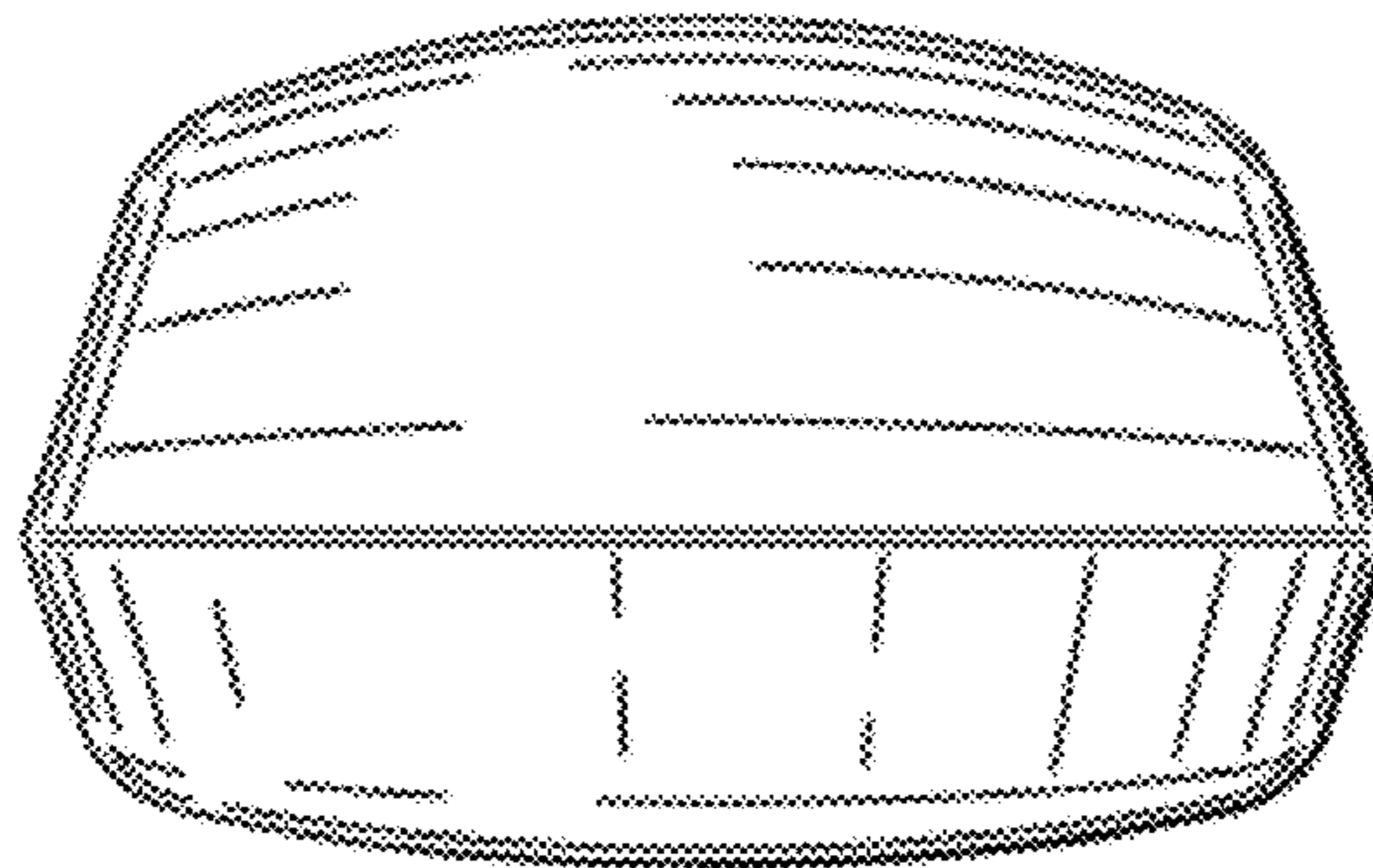


FIG. 3

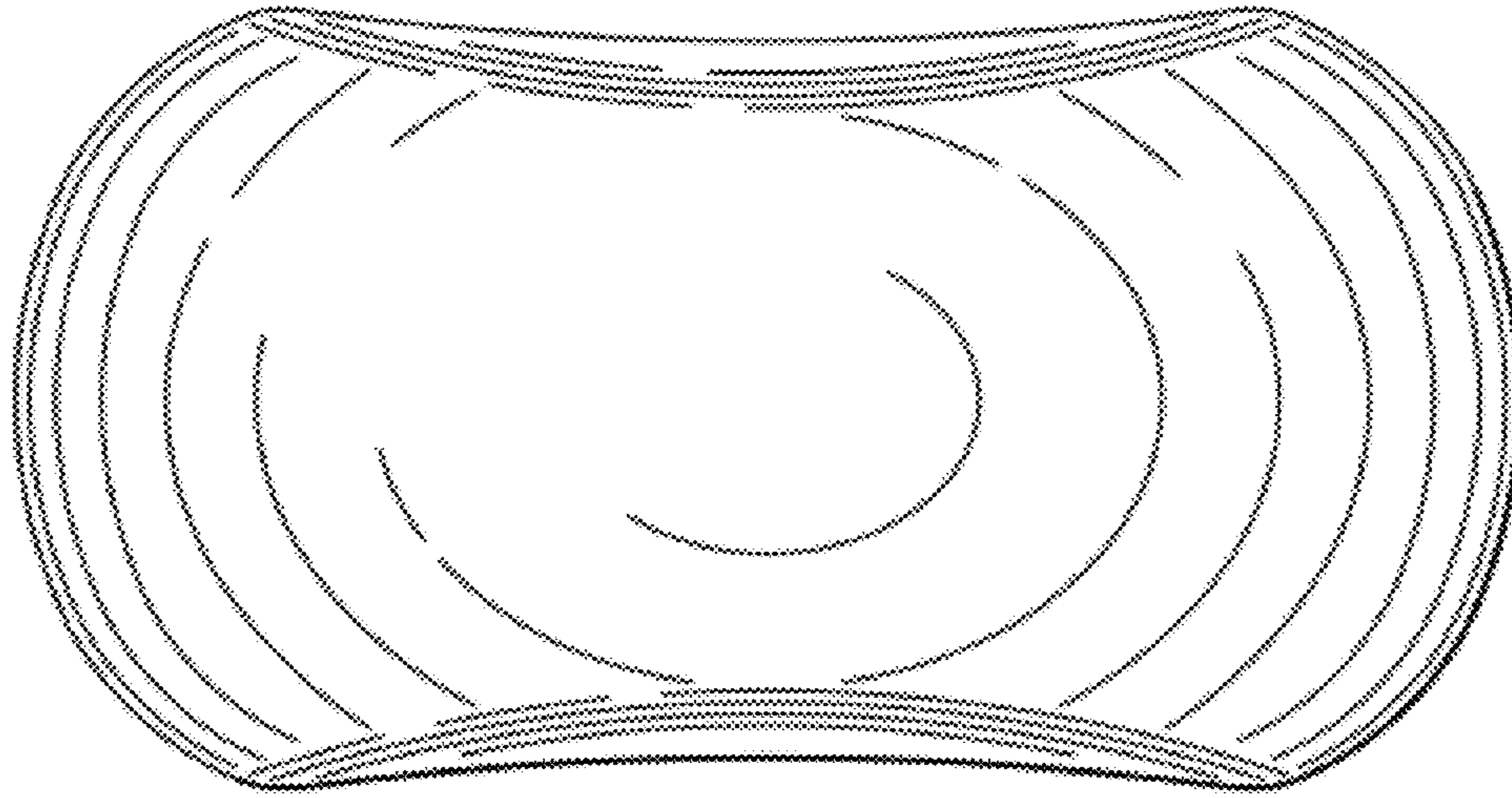


FIG. 4

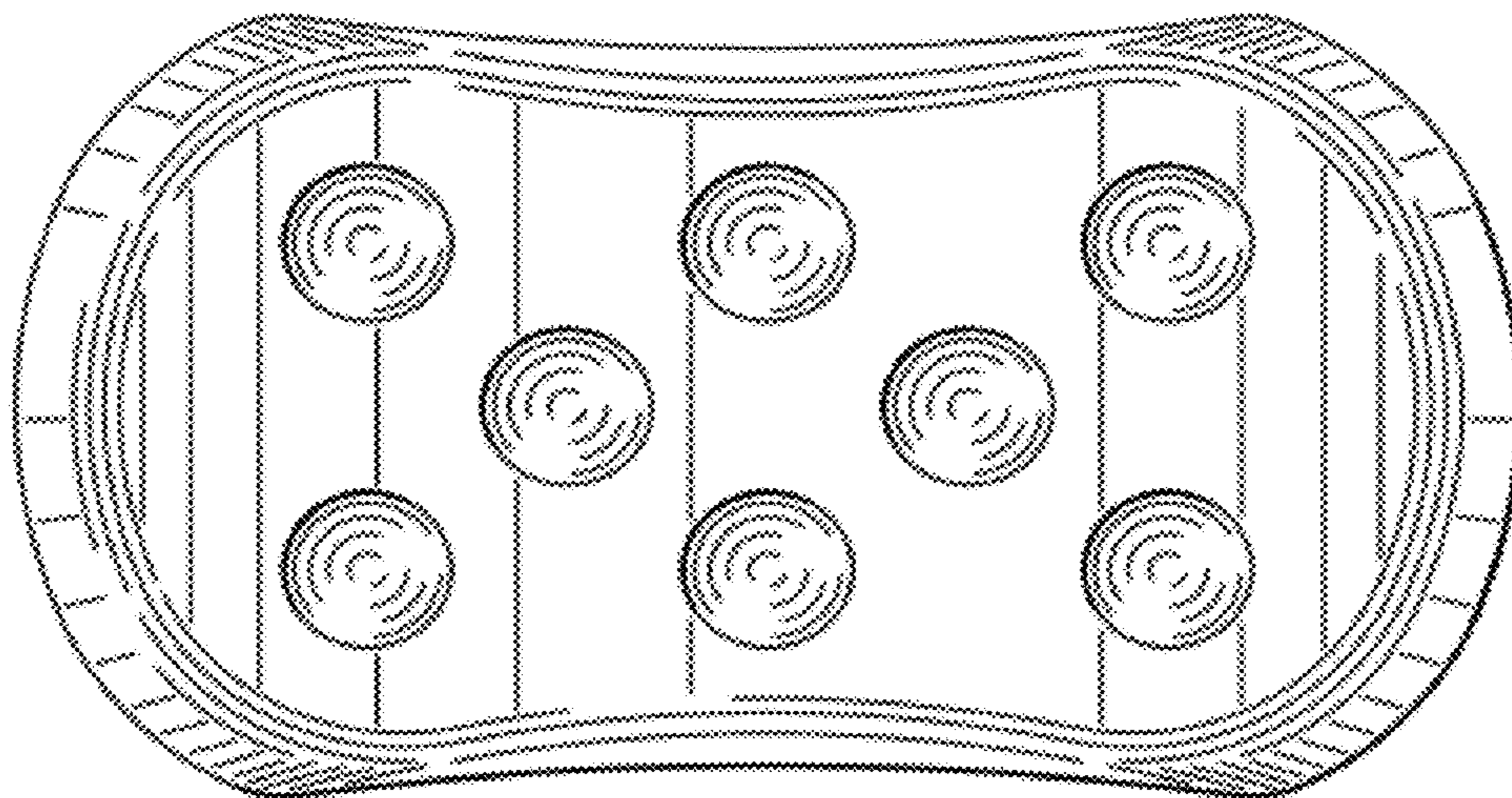


FIG. 5

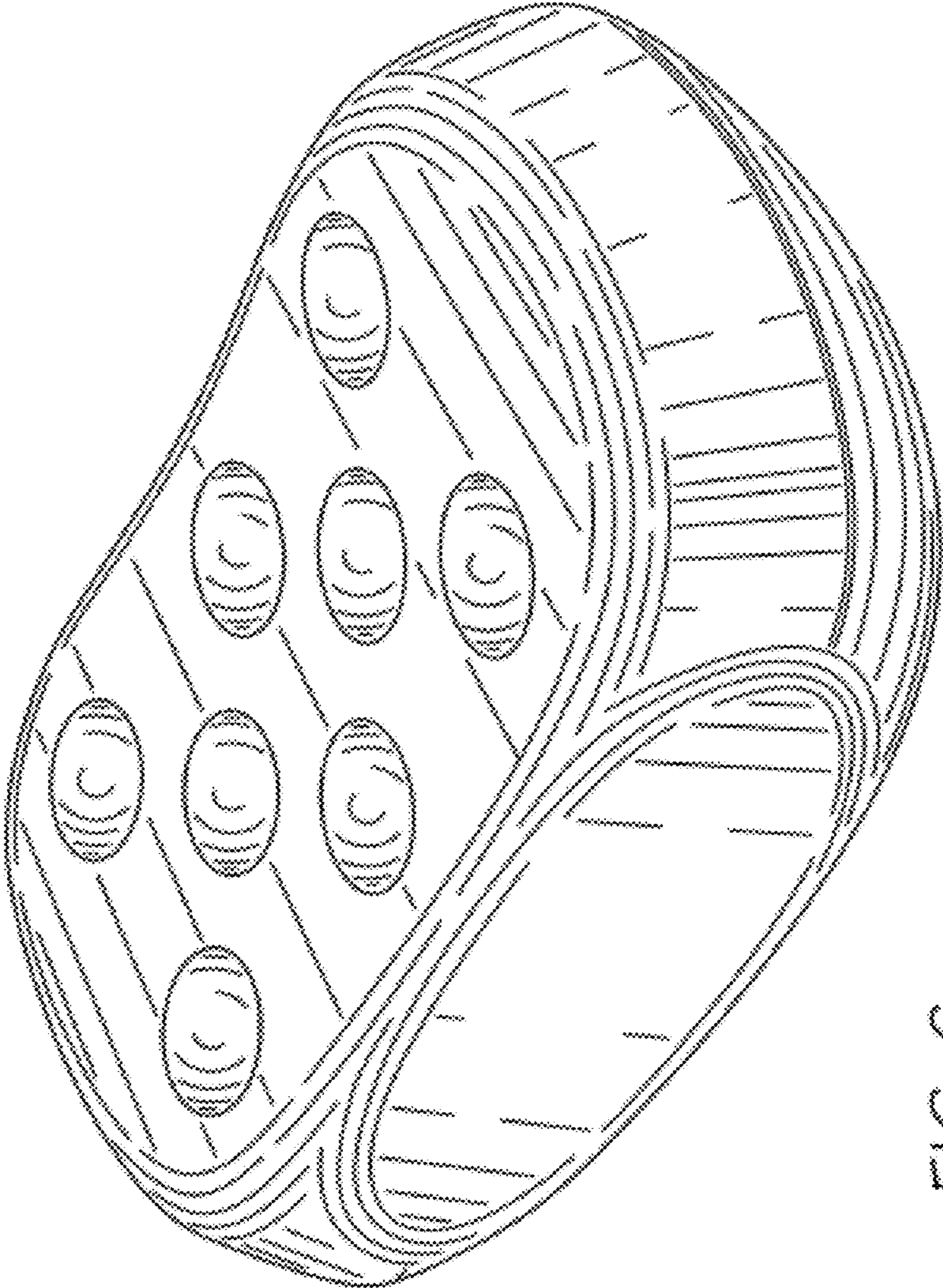


FIG. 6