



US00D665943S

(12) **United States Design Patent**  
**Dedeyan et al.**

(10) **Patent No.:** **US D665,943 S**

(45) **Date of Patent:** **\*\* Aug. 21, 2012**

(54) **DISHWASHING PRODUCT**

(75) Inventors: **Armand Aram Dedeyan**, Newcastle upon Tyne (GB); **Gillian Margaret Hardy**, Newcastle Upon Tyne (GB); **Ian Robert Wardle**, Newcastle Upon Tyne Tyne and Wear (GB); **Jonathan Norman Robert Hodges**, Windsor (GB)

(73) Assignee: **The Procter & Gamble Company**, Cincinnati, OH (US)

(\*\*) Term: **14 Years**

(21) Appl. No.: **29/377,224**

(22) Filed: **Oct. 19, 2010**

(51) **LOC (9) Cl.** ..... **28-02**

(52) **U.S. Cl.** ..... **D28/8.1**

(58) **Field of Classification Search** ..... 510/133,  
510/141, 148, 194, 220, 224–255, 294–298,  
510/439–450; D28/4, 8.1–8.2; D14/489  
See application file for complete search history.

(56) **References Cited**

**U.S. PATENT DOCUMENTS**

D565,244 S *	3/2008	Schwartz et al.	.....	D28/8.1
D599,056 S *	8/2009	Schwartz et al.	.....	D28/8.1
D599,057 S *	8/2009	Beckholt et al.	.....	D28/8.1
D608,049 S *	1/2010	Schwartz et al.	.....	D28/8.1
D618,393 S *	6/2010	Beckholt et al.	.....	D28/8.1
D639,183 S *	6/2011	Nixon	.....	D9/707
D640,934 S *	7/2011	Nixon	.....	D9/707
D643,574 S *	8/2011	Heidel et al.	.....	D28/8.1
D647,249 S *	10/2011	Heidel et al.	.....	D28/8.1

D648,068 S *	11/2011	Heidel et al.	.....	D28/8.1
D651,340 S *	12/2011	Heidel et al.	.....	D28/8.1
2010/0298191 A1 *	11/2010	Denome et al.	.....	510/220

**FOREIGN PATENT DOCUMENTS**

AU 201000194 A4 \* 3/2010

**OTHER PUBLICATIONS**

Web page for teardrop search, Mar. 25, 2012.\*  
U.S. Appl. No. 29/391,328, filed May 6, 2011, Denham, et al.  
U.S. Appl. No. 29/391,336, filed May 6, 2011, Denham, et al.

\* cited by examiner

*Primary Examiner* — Jennifer Rivard

(74) *Attorney, Agent, or Firm* — Tiffany M. Zerby; Leonard W. Lewis; Steven W. Miller

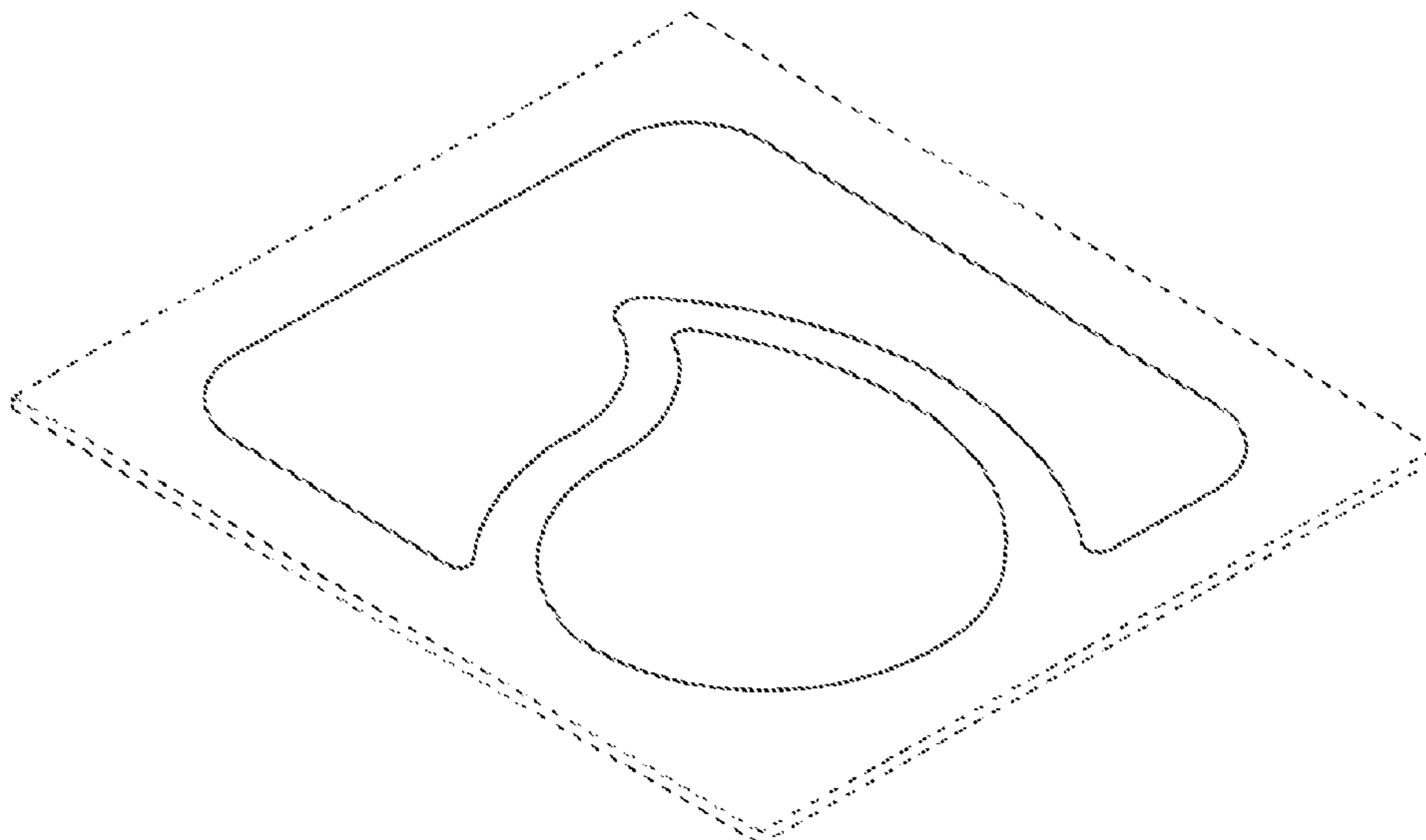
(57) **CLAIM**

The ornamental design for a dishwashing product, as shown and described.

**DESCRIPTION**

FIG. 1 is a perspective view of a dishwashing product. FIG. 2 is a top view of the dishwashing product of FIG. 1. FIG. 3 is a front view of the dishwashing product of FIG. 1. FIG. 4 is a back view of the dishwashing product of FIG. 1. FIG. 5 is a left side view of the dishwashing product of FIG. 1. FIG. 6 is a right side view of the dishwashing product of FIG. 1; and, FIG. 7 is a bottom view of the dishwashing product of FIG. 1. The broken line showing of environmental structure in the figures is for illustrative purposes only and forms no part of the claimed design.

**1 Claim, 3 Drawing Sheets**



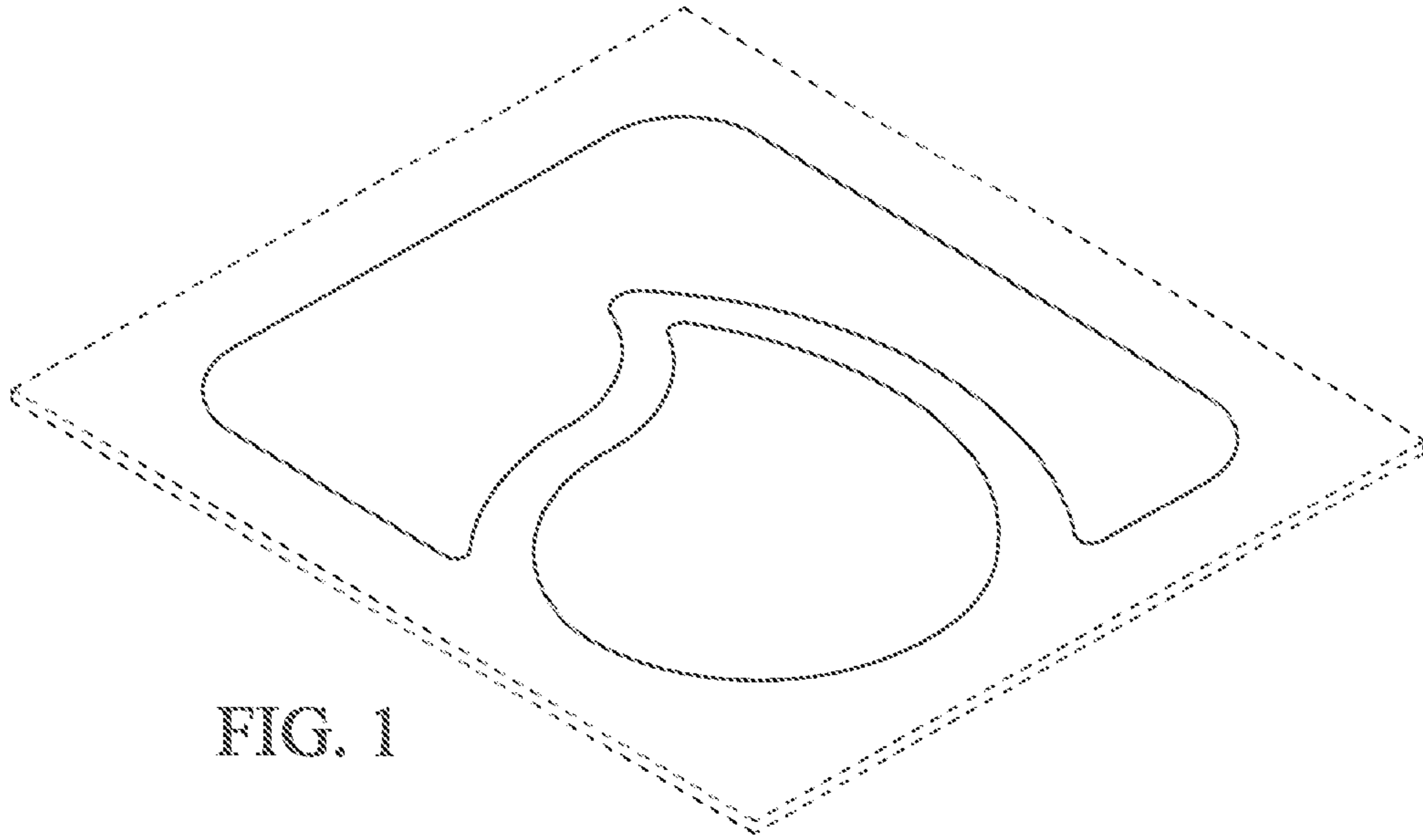


FIG. 1

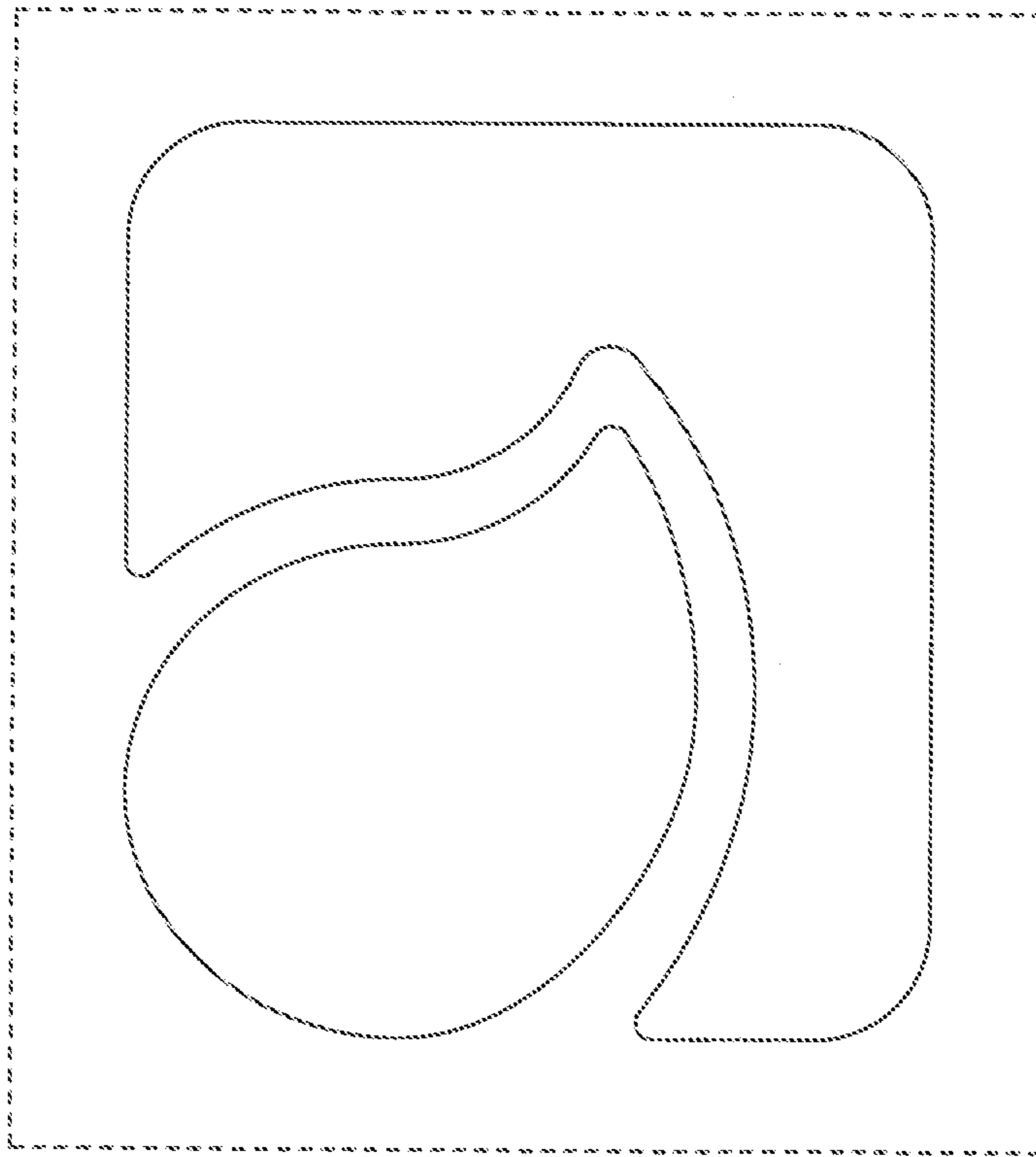


FIG. 2

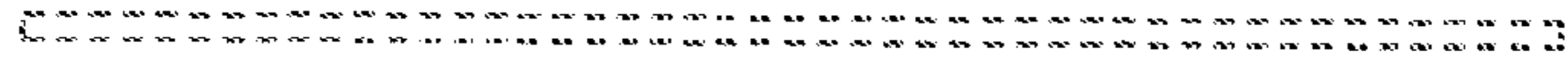


FIG. 3

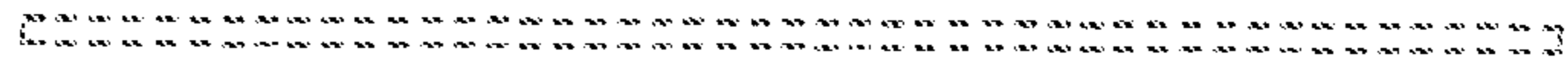


FIG. 4

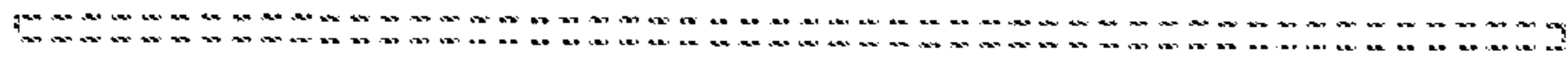


FIG. 5

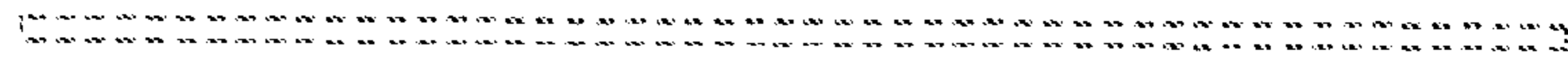


FIG. 6



FIG. 7