

US00D665941S

(12) **United States Design Patent**  
**Orozco**

(10) **Patent No.:** **US D665,941 S**

(45) **Date of Patent:** **\*\* Aug. 21, 2012**

(54) **LIGHT FIXTURE**

(75) **Inventor:** **Sergio J. Orozco**, West New York, NJ (US)

(73) **Assignee:** **Quoizel, Inc.**, Goose Creek, SC (US)

(\*\*) **Term:** **14 Years**

(21) **Appl. No.:** **29/392,751**

(22) **Filed:** **May 26, 2011**

(51) **LOC (9) Cl.** ..... **26-05**

(52) **U.S. Cl.** ..... **D26/81; D26/144**

(58) **Field of Classification Search** ..... D26/80-92,  
D26/144; 362/147, 404-408

See application file for complete search history.

(56) **References Cited**

**U.S. PATENT DOCUMENTS**

D70,725 S *	8/1926	Aglow	.....	D26/144
D75,599 S *	6/1928	Abuza	.....	D26/144
D368,545 S *	4/1996	Hsu	.....	D26/81
D403,794 S	1/1999	Orozco		
D417,521 S	12/1999	Orozco		
D425,648 S	5/2000	Orozco		
D431,311 S *	9/2000	Dolan	.....	D26/84
D444,904 S	7/2001	Orozco		
D445,940 S *	7/2001	Davis, Jr.	.....	D26/81
D453,229 S	1/2002	Phillips		
D453,581 S	2/2002	Orozco		
D510,638 S	10/2005	Orozco		
D517,722 S	3/2006	Orozco		

D539,961 S *	4/2007	Hsu	.....	D26/81
D545,998 S *	7/2007	Mazzie, Jr.	.....	D26/144
D553,782 S *	10/2007	Nicholas	.....	D26/81
D580,088 S *	11/2008	Orozco	.....	D26/81
D583,089 S *	12/2008	Orozco	.....	D26/81
D587,842 S	3/2009	Rhodes		
D605,347 S *	12/2009	Miranda	.....	D26/144

\* cited by examiner

*Primary Examiner* — Clare E Heflin

(74) *Attorney, Agent, or Firm* — Nelson Mullins Riley & Scarborough LLP

(57) **CLAIM**

The ornamental design for a light fixture, substantially as shown and described.

**DESCRIPTION**

FIG. 1 is a perspective view of a light fixture embodying the design of the present invention.

FIG. 2 is a front side elevational view of the light fixture illustrated in FIG. 1.

FIG. 3 is a back side elevational view of the light fixture illustrated in FIG. 1.

FIG. 4 is a right side elevational view of the light fixture illustrated in FIG. 1.

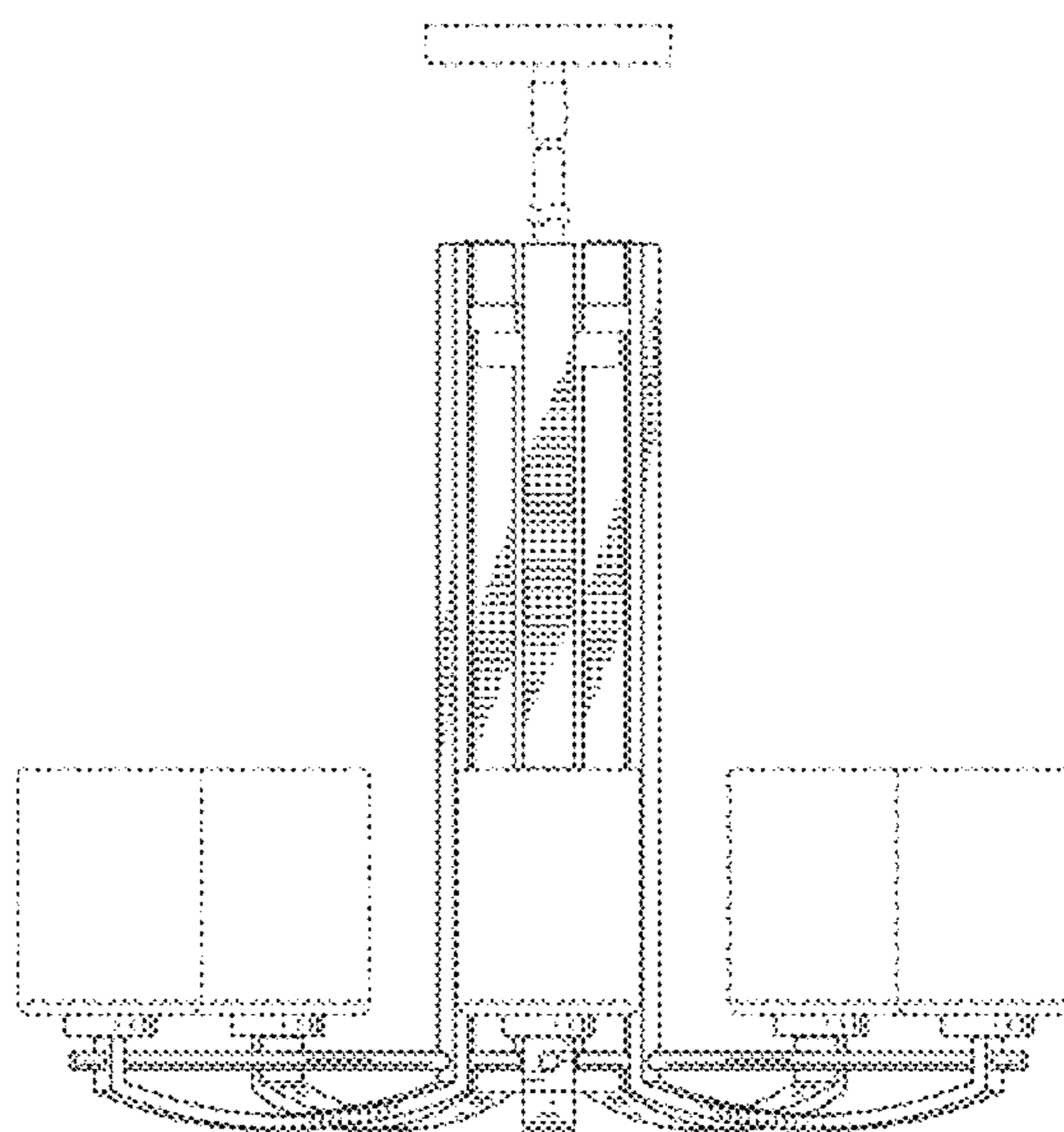
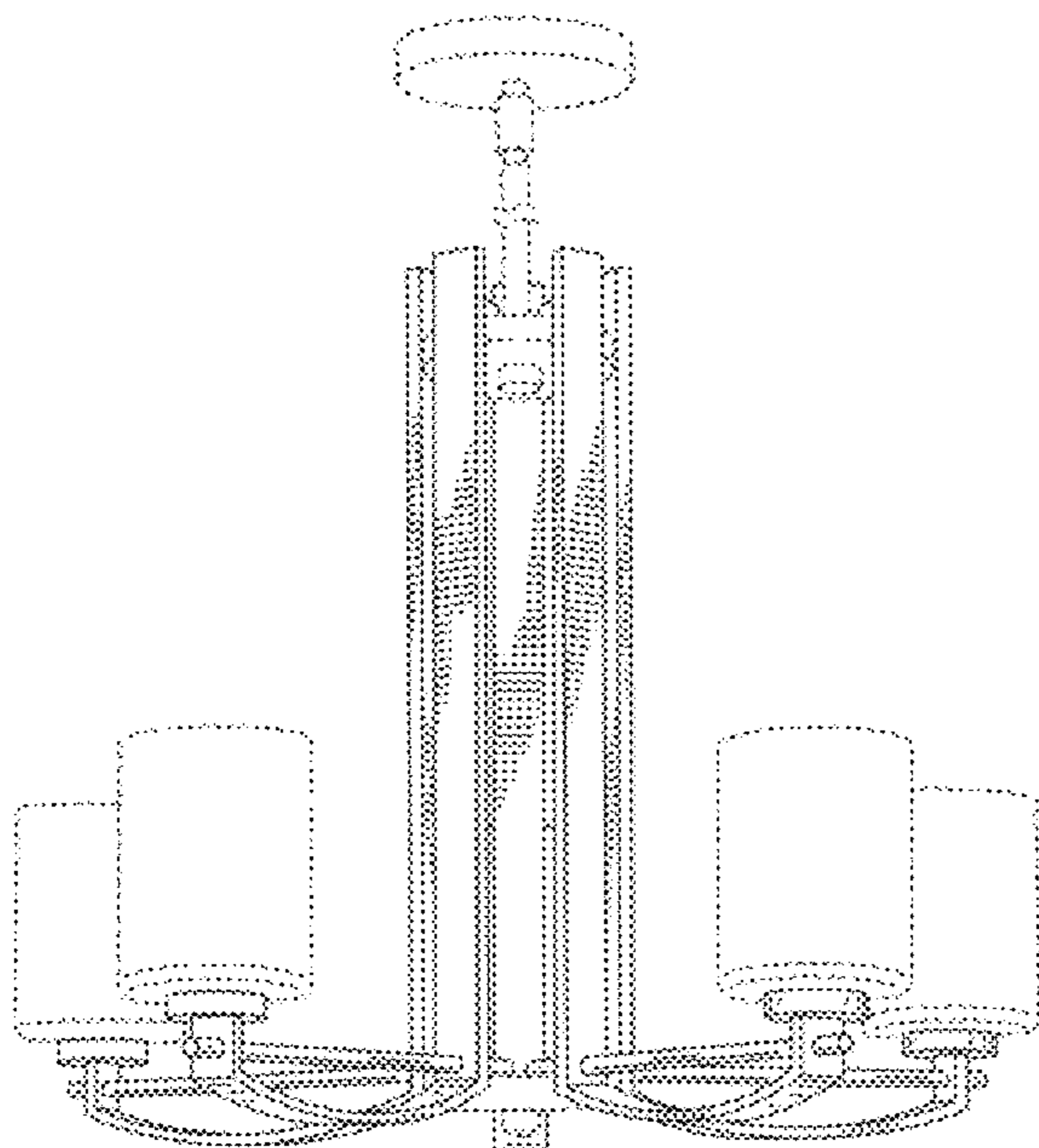
FIG. 5 is a left side elevational view of the light fixture illustrated in FIG. 1.

FIG. 6 is a top view of the light fixture illustrated in FIG. 1.

FIG. 7 is a bottom view of the light fixture illustrated in FIG. 1; and,

The portions shown in broken lines form no part of the claimed design.

**1 Claim, 7 Drawing Sheets**



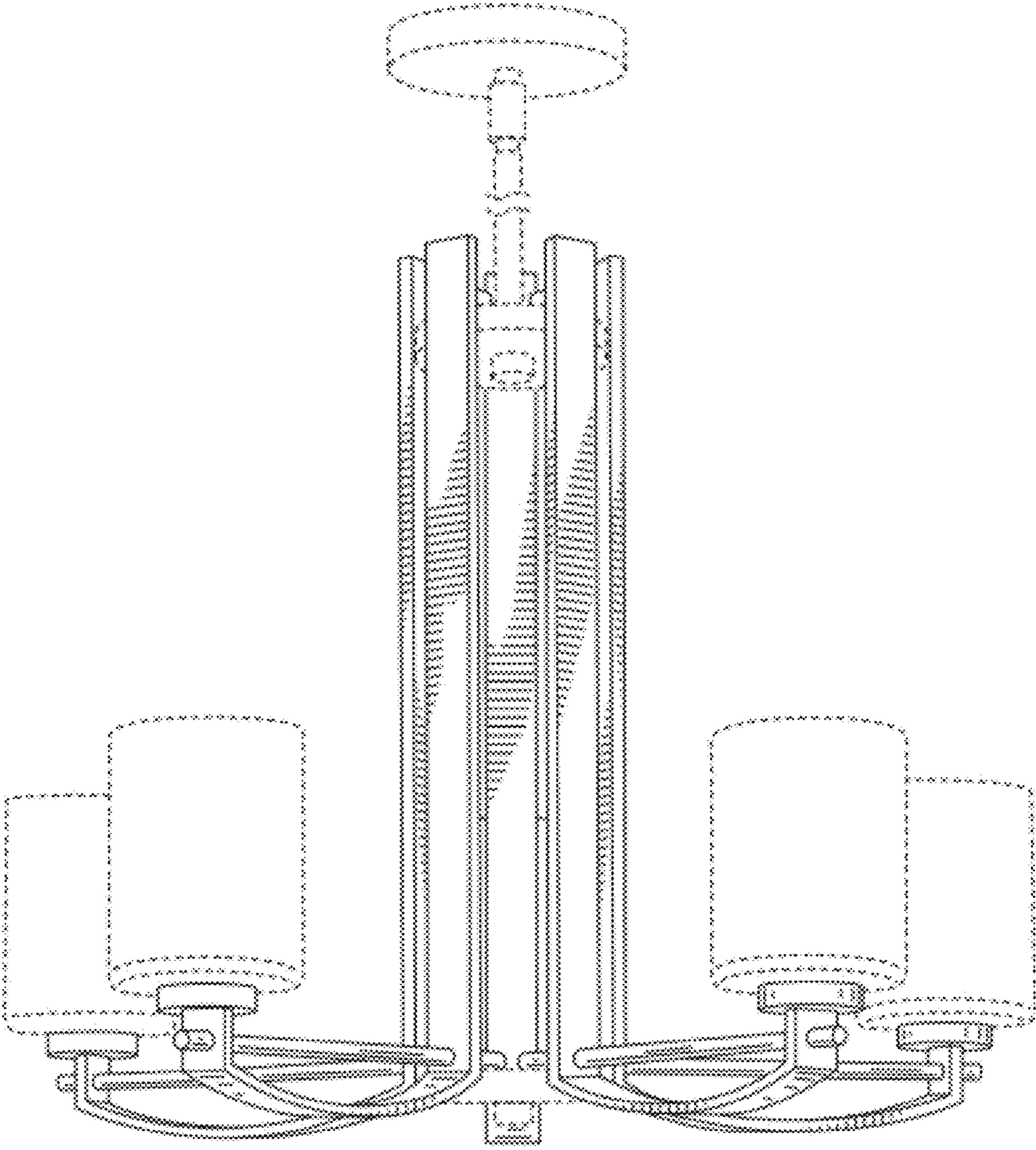


FIG. 1

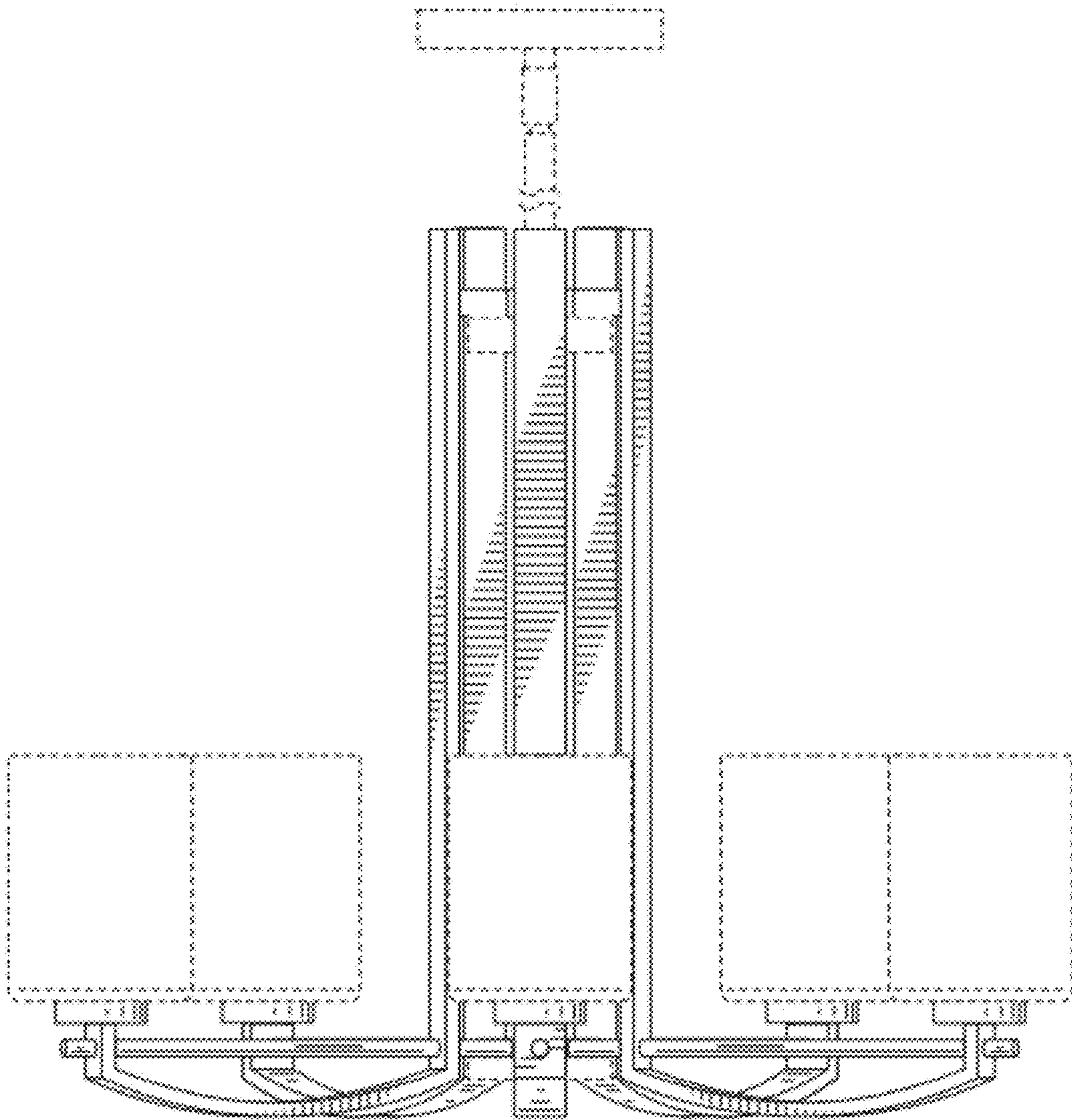


FIG. 2

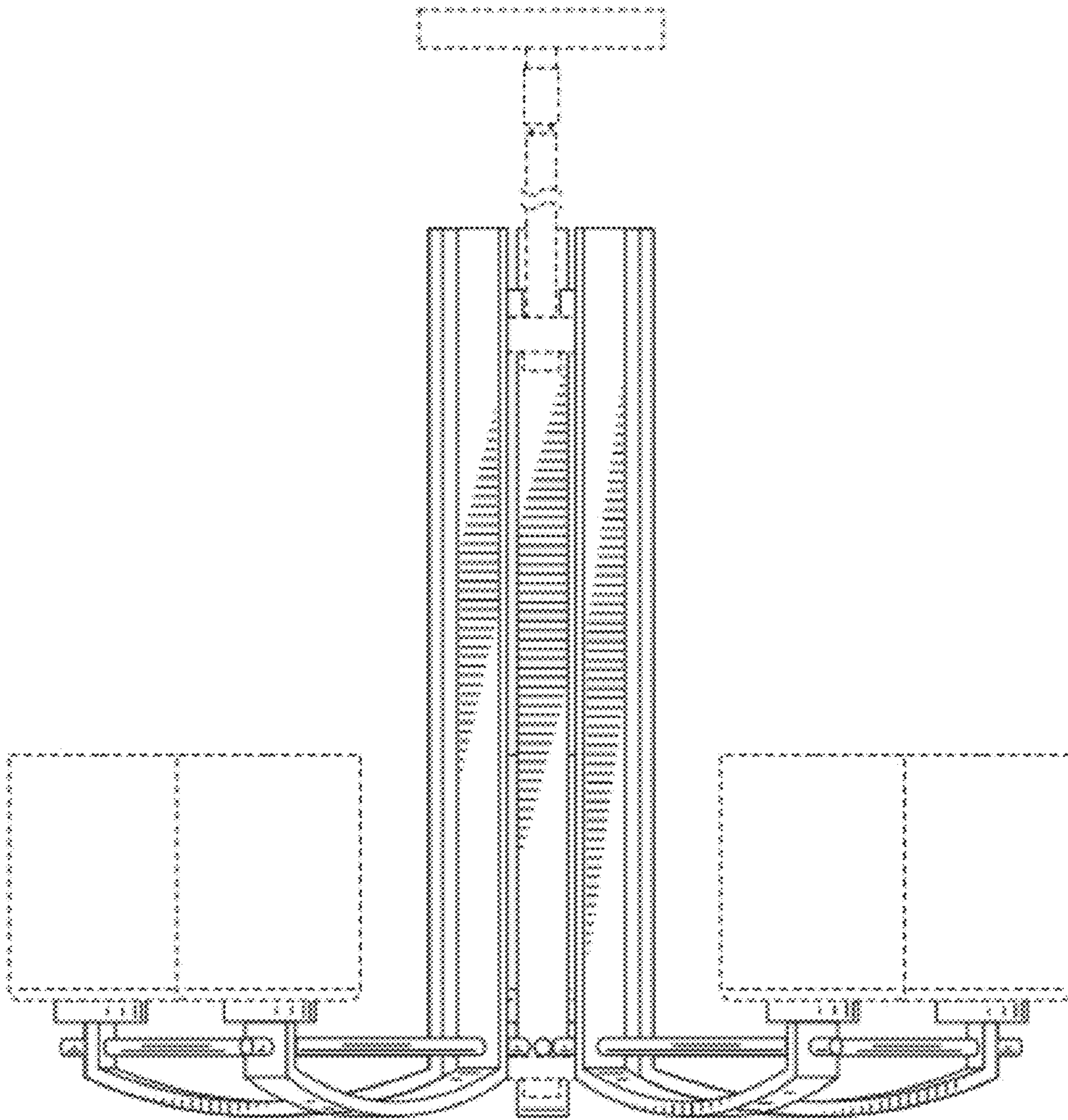


FIG. 3

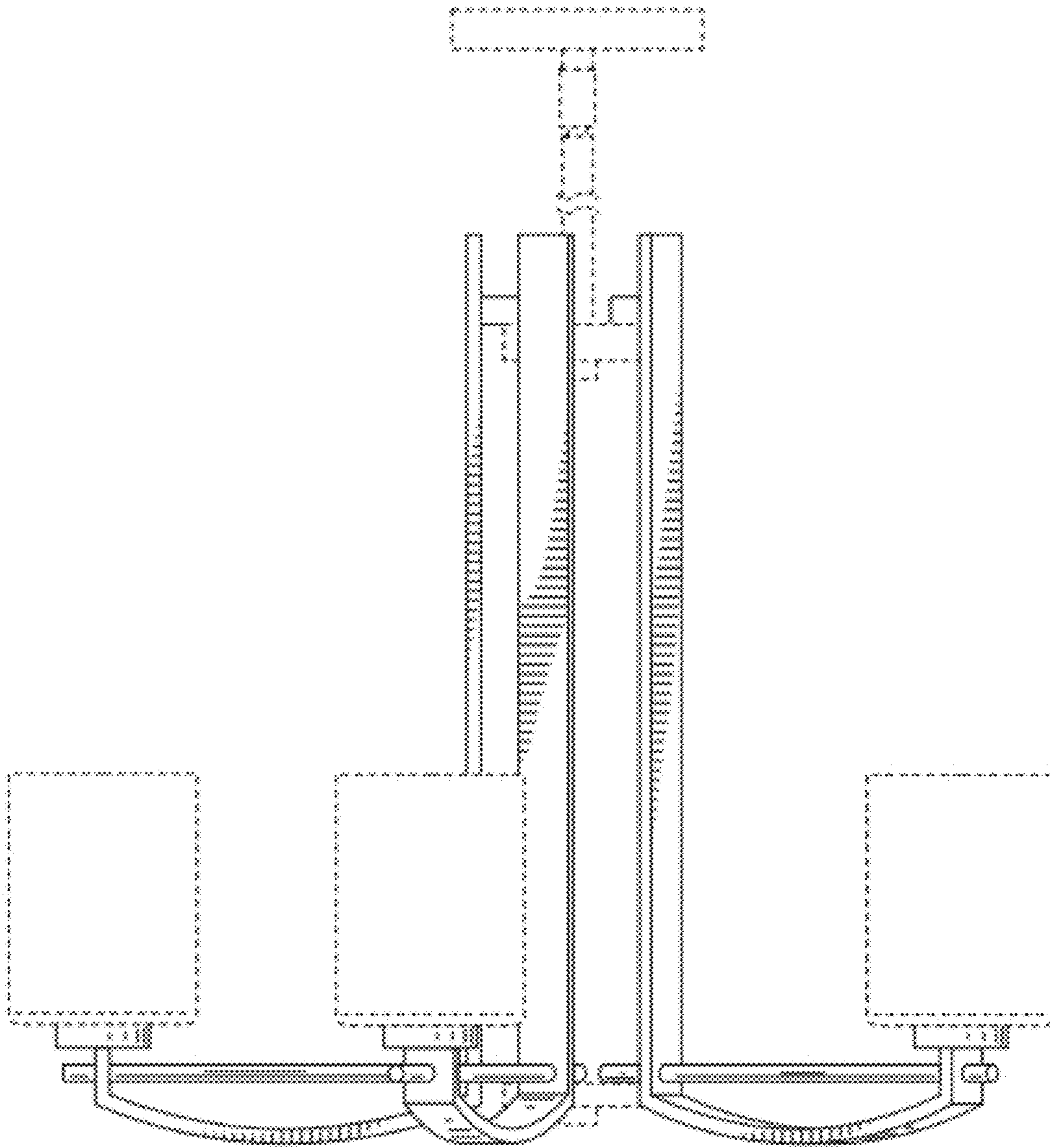


FIG. 4

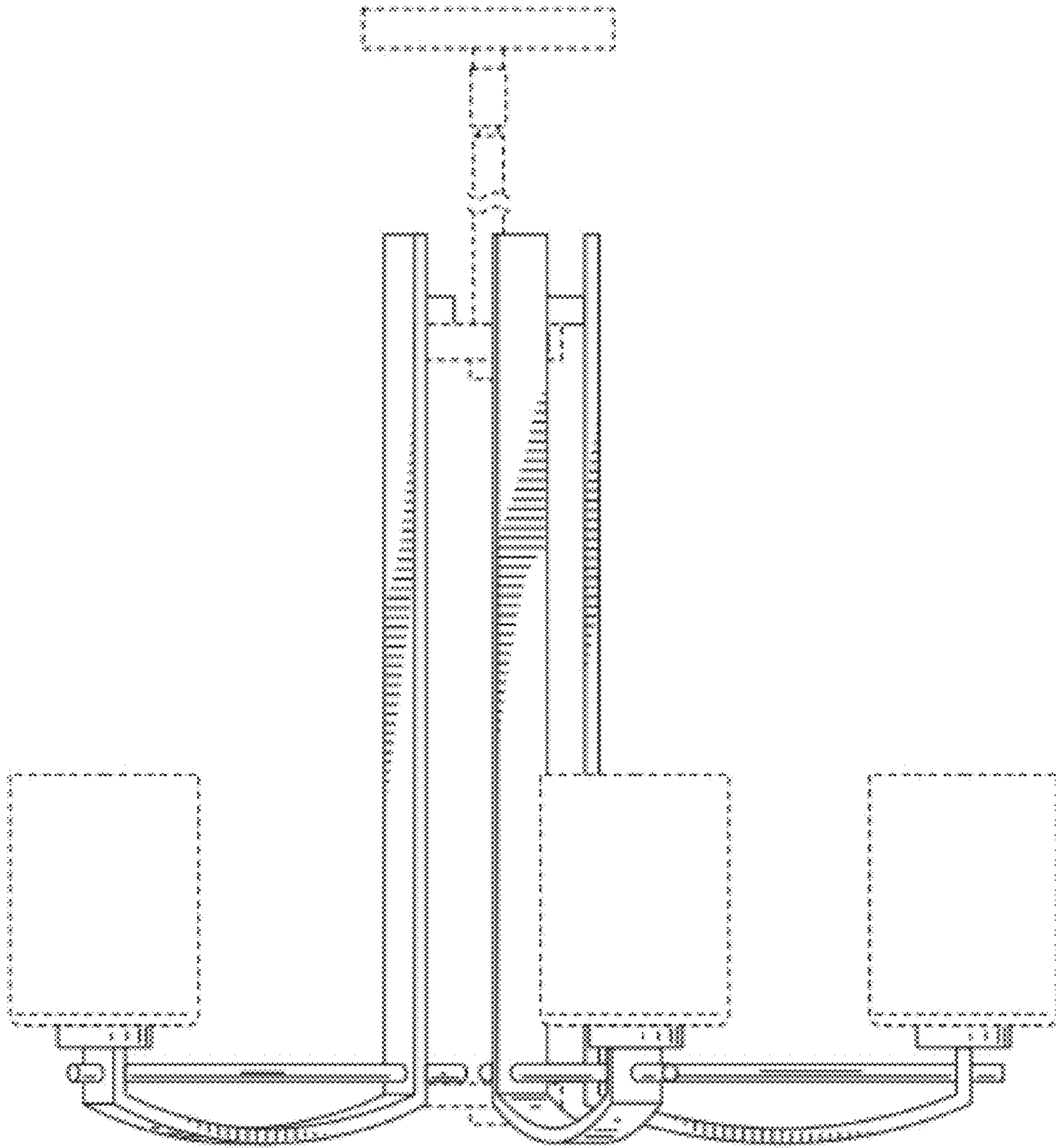


FIG. 5

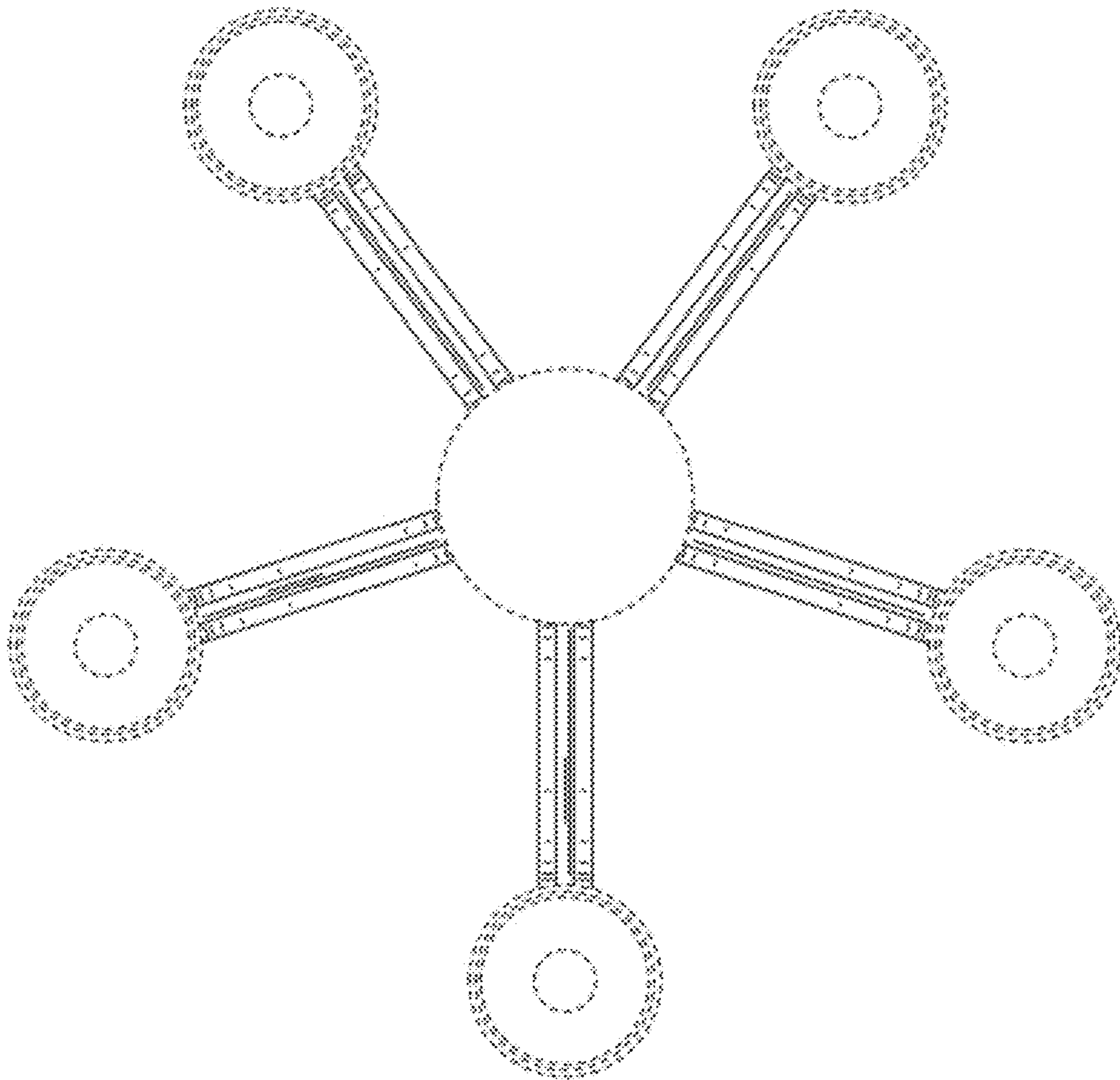


FIG. 6

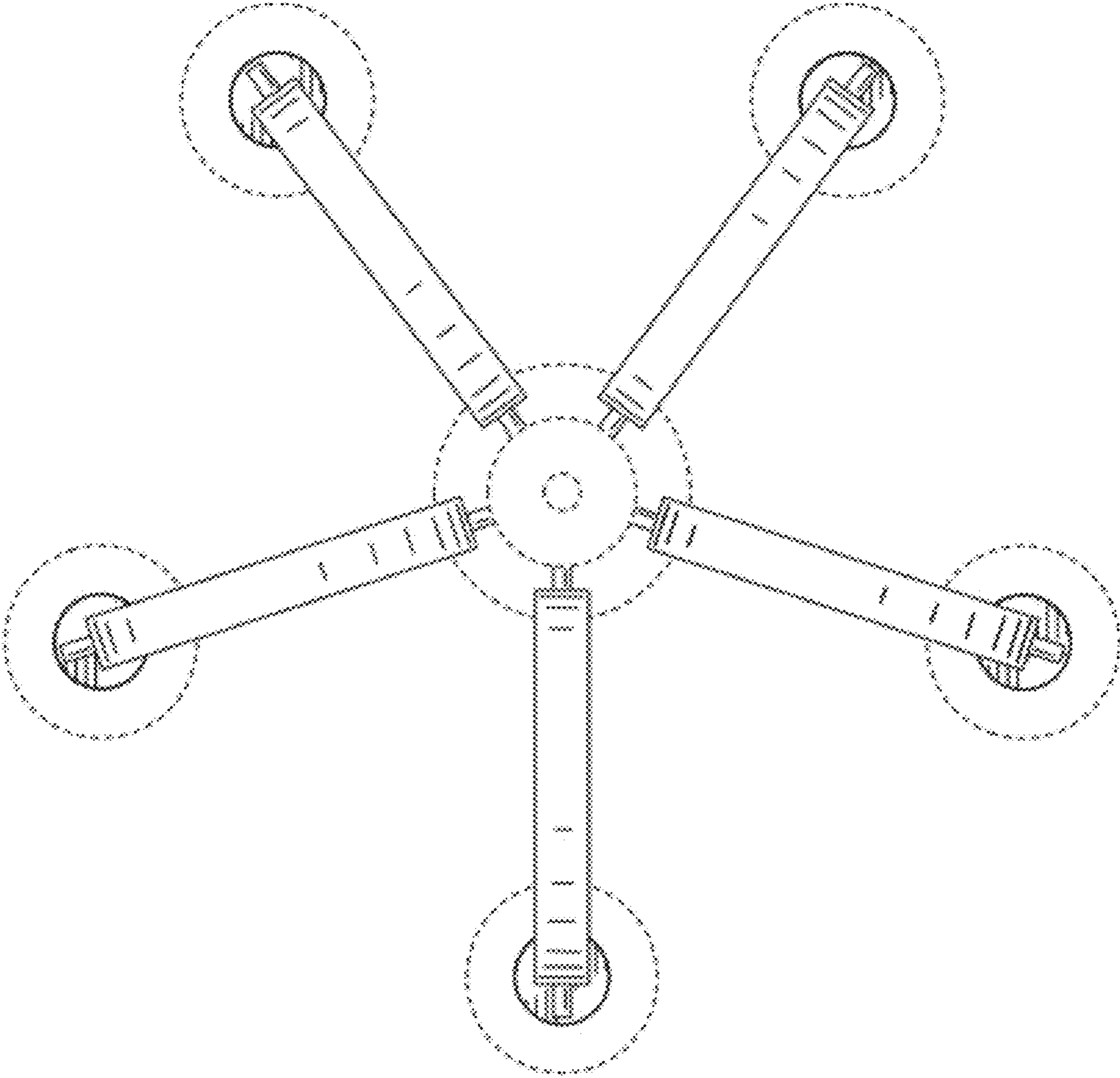


FIG. 7