



US00D665938S

(12) **United States Design Patent**
Kim et al.

(10) **Patent No.:** **US D665,938 S**

(45) **Date of Patent:** **** Aug. 21, 2012**

(54) **DESK LAMP**

(75) Inventors: **Jong-II Kim**, Seongnam (KR);
Jong-Kul Suh, Seongnam (KR)

(73) Assignee: **Woonju Company Limited**,
Seongnam-si (KR)

(**) Term: **14 Years**

(21) Appl. No.: **29/408,282**

(22) Filed: **Dec. 9, 2011**

(51) **LOC (9) Cl.** **26-05**

(52) **U.S. Cl.** **D26/63**

(58) **Field of Classification Search** D26/60-66,
D26/93, 106-109; D14/423; 362/157, 158,
362/171-174, 175-178, 220, 410-414, 418,
362/419, 806, 287, 288, 427, 449, 274, 277,
362/278, 280-285, 319

See application file for complete search history.

(56) **References Cited**

U.S. PATENT DOCUMENTS

D350,620 S * 9/1994 Yuen D26/65
D366,337 S * 1/1996 Yuen D26/44
D386,273 S * 11/1997 Yan D26/63
D423,130 S * 4/2000 Kung D26/60

D424,223 S * 5/2000 Fun D26/44
D490,926 S * 6/2004 Katsura et al. D26/63
7,396,140 B2 * 7/2008 Cai 362/167
D590,974 S * 4/2009 Chan D26/52
D647,906 S * 11/2011 Shen D14/423

* cited by examiner

Primary Examiner — Susan M Lee

Assistant Examiner — Linda G. Brooks

(74) *Attorney, Agent, or Firm* — Lexyoume IP Meister,
PLLC

(57) **CLAIM**

The ornamental design for a desk lamp, as shown and described.

DESCRIPTION

FIG. 1 is a perspective view of a desk lamp showing my new design;

FIG. 2 is a front view thereof;

FIG. 3 is a rear view thereof;

FIG. 4 is a left side view thereof;

FIG. 5 is a right side view thereof;

FIG. 6 is a top view thereof; and,

FIG. 7 is a bottom view thereof.

The features shown in broken lines illustrate unclaimed portions of the desk lamp.

1 Claim, 7 Drawing Sheets

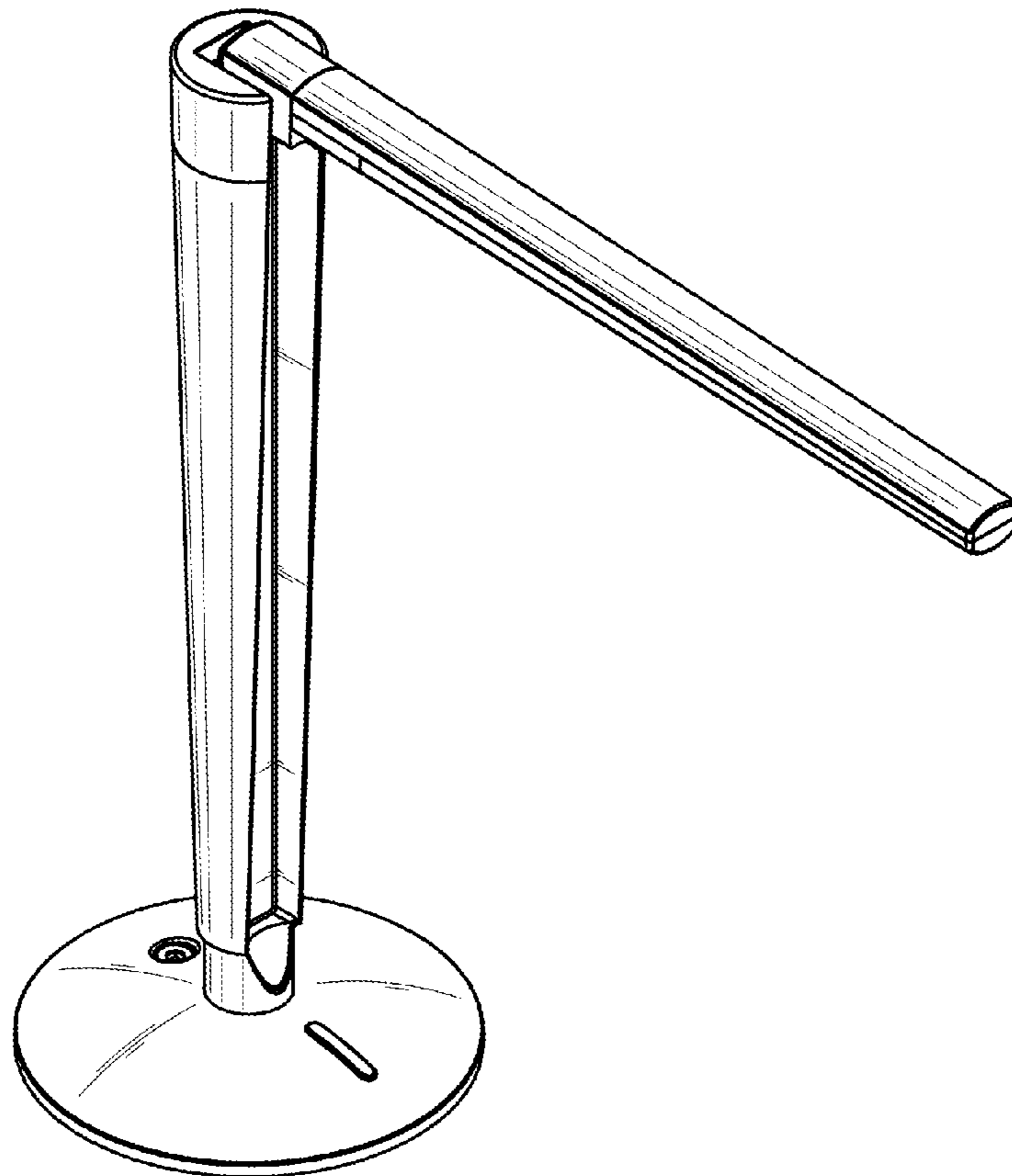


FIG. 1

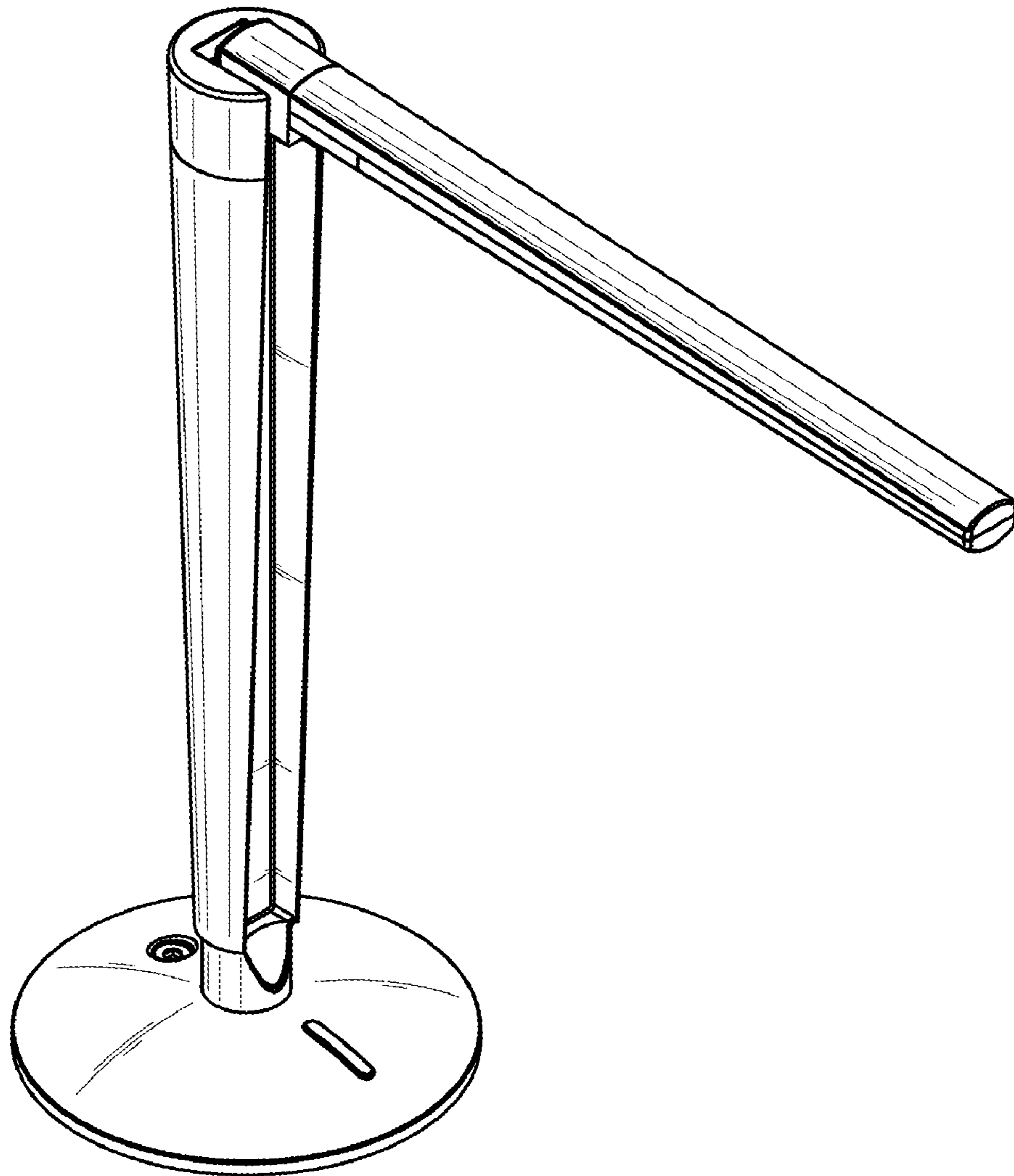


FIG. 2

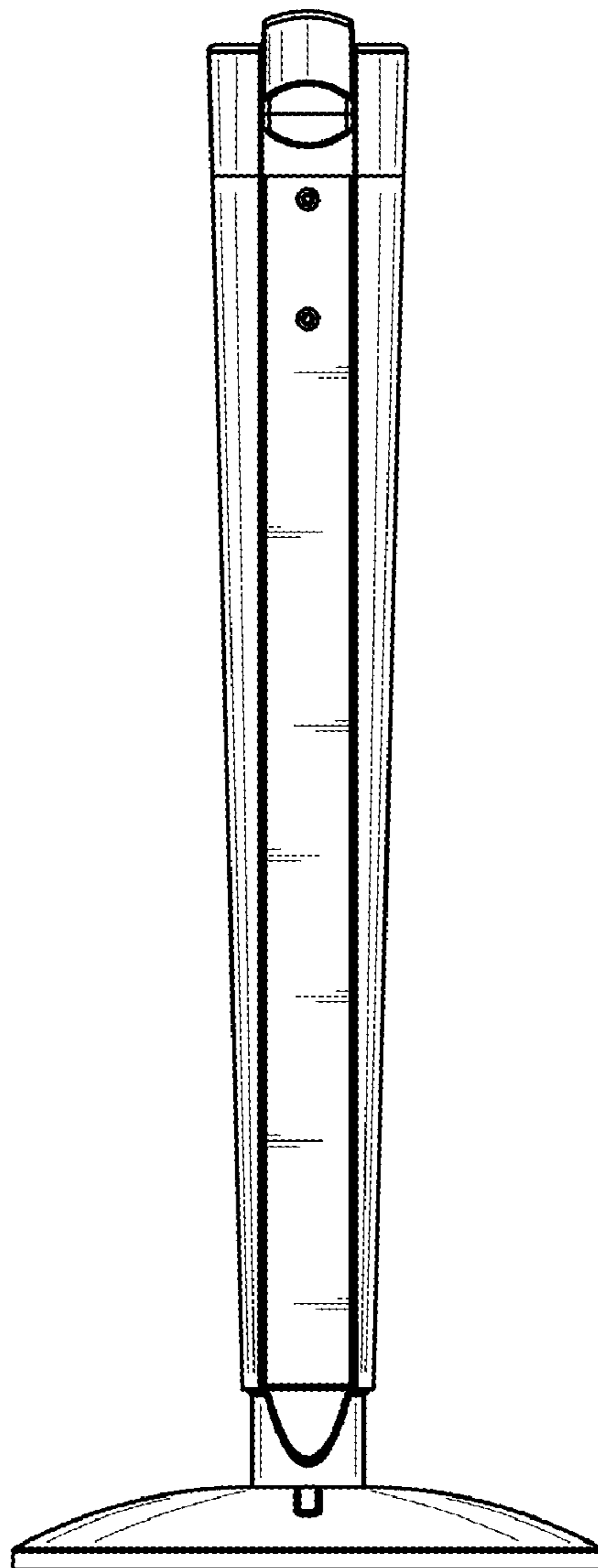


FIG.3

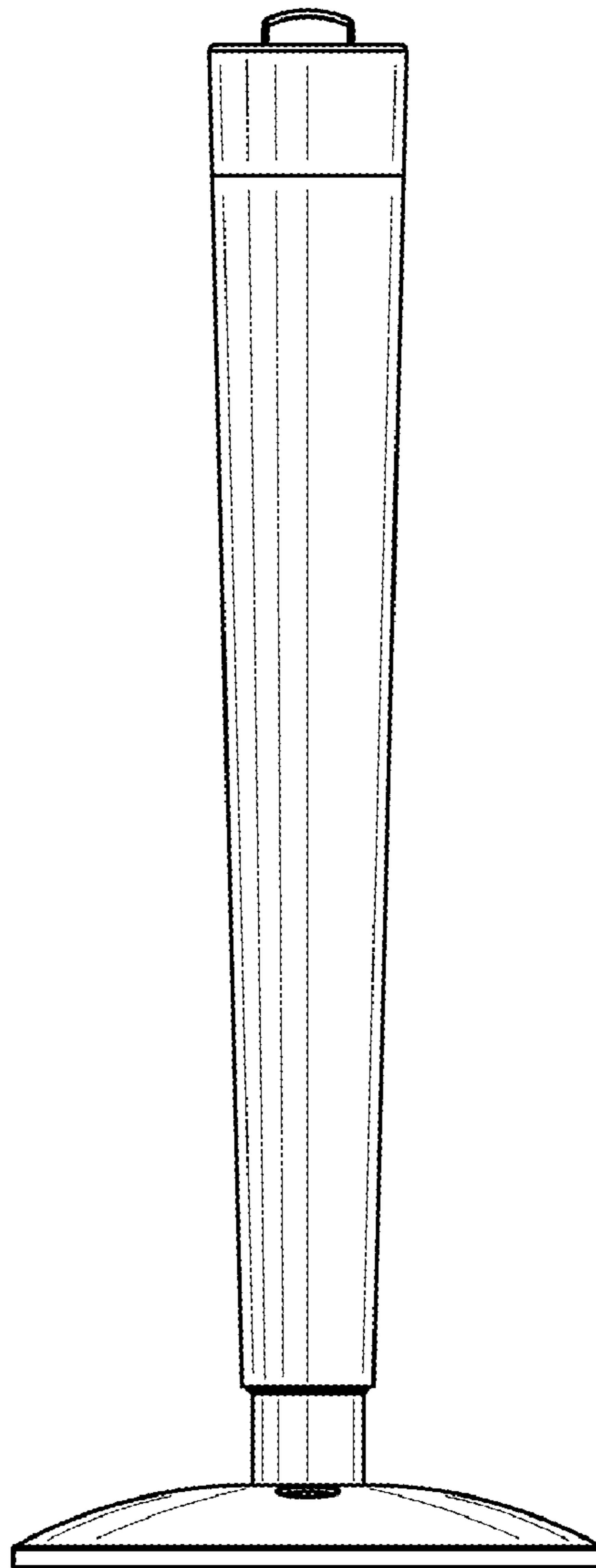


FIG.4

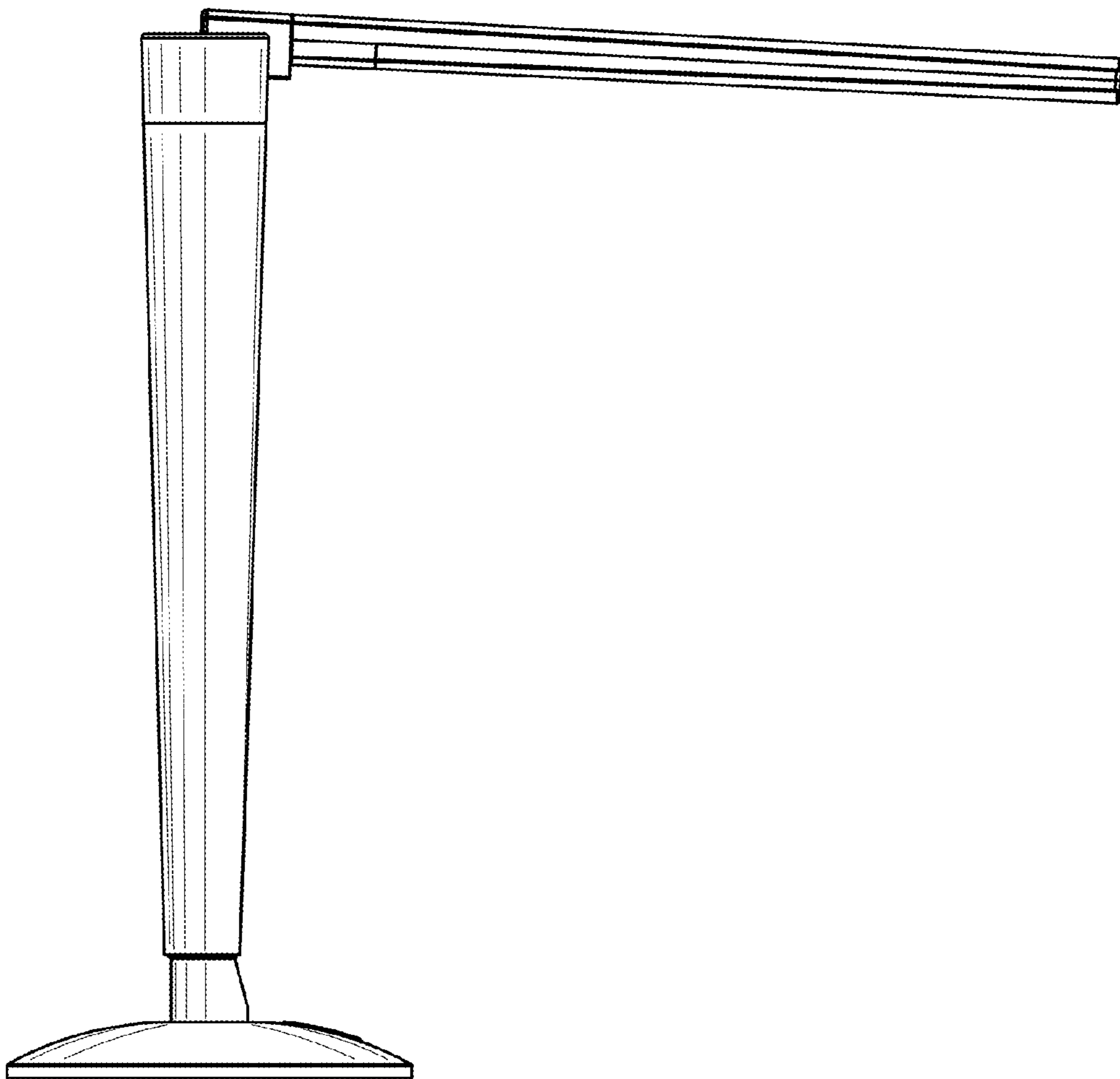


FIG.5

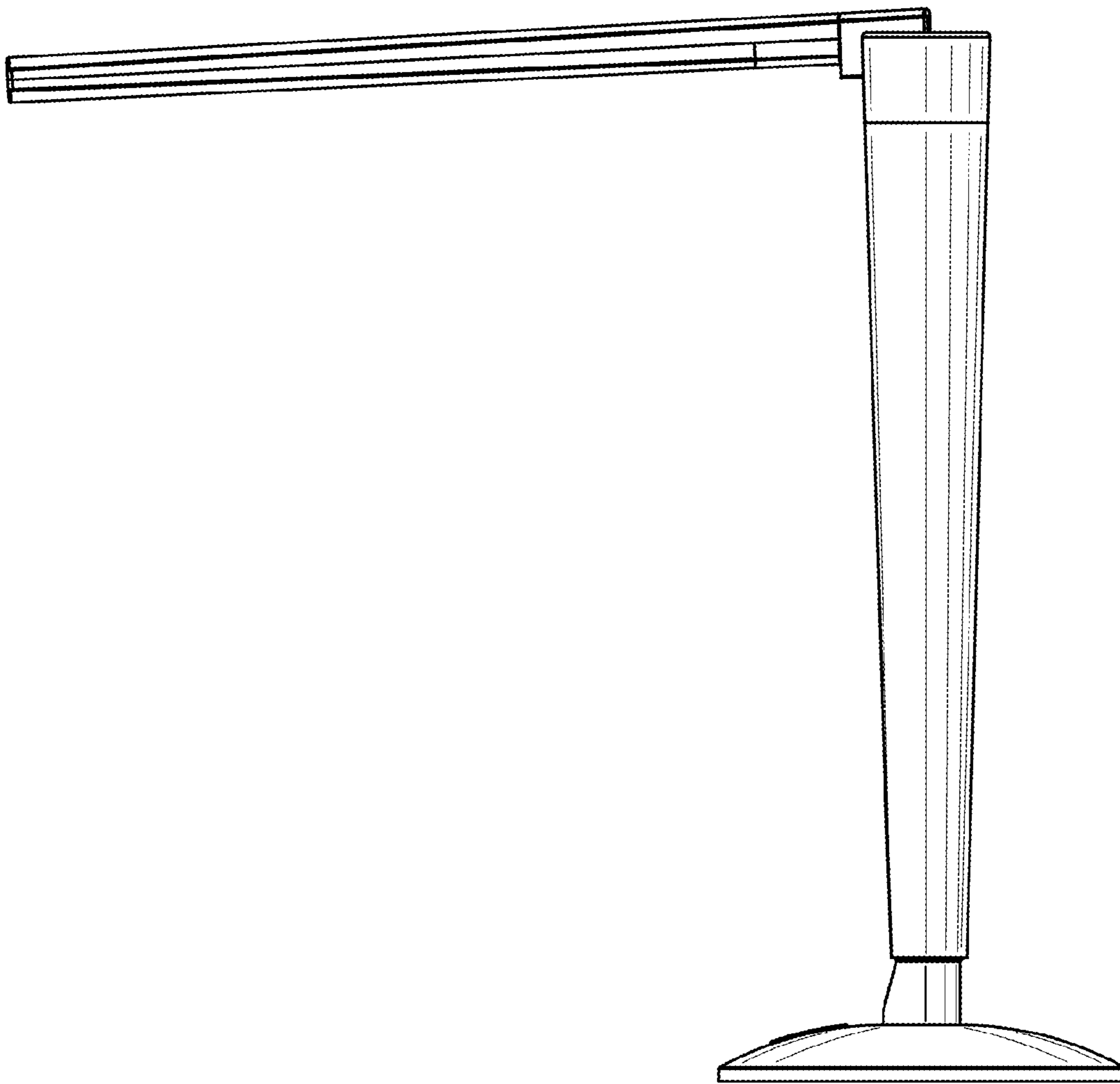


FIG.6

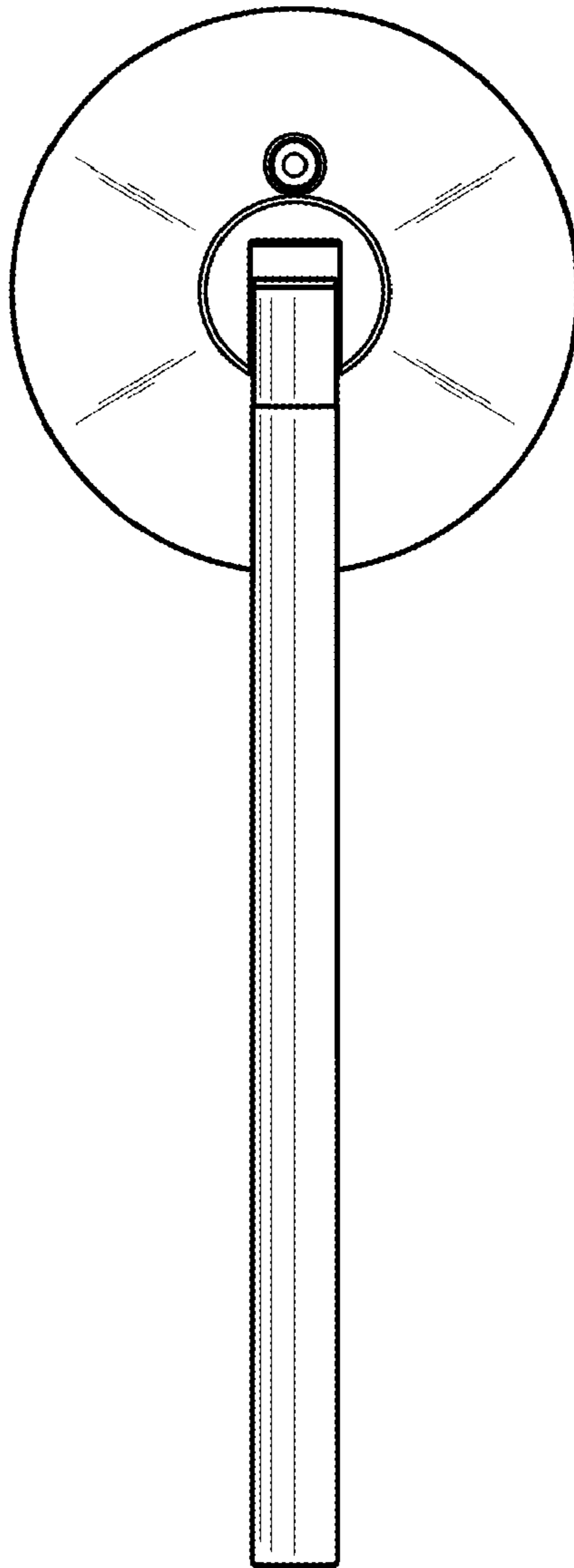


FIG.7

