

US00D665937S

(12) **United States Design Patent**
Wang

(10) **Patent No.:** **US D665,937 S**

(45) **Date of Patent:** **** Aug. 21, 2012**

(54) **LIGHT EMITTING DIODE LAMP**

(75) Inventor: **Jian-Gang Wang**, Shenzhen (CN)

(73) Assignee: **Foxsemicon Integrated Technology, Inc.**, Chu-Nan, Miao-Li Hsien (TW)

(**) Term: **14 Years**

(21) Appl. No.: **29/406,870**

(22) Filed: **Nov. 20, 2011**

(51) **LOC (9) Cl.** **26-05**

(52) **U.S. Cl.** **D26/63; D26/92**

(58) **Field of Classification Search** D26/61,
D26/63, 65, 67-71, 92; 362/249.01-249.06,
362/294, 373, 431

See application file for complete search history.

(56) **References Cited**

U.S. PATENT DOCUMENTS

| | | | | |
|--------------|---------|--------------|-------|--------|
| D195,583 S * | 7/1963 | Phillips | | D26/71 |
| D391,382 S * | 2/1998 | Rahn | | D26/63 |
| D562,487 S * | 2/2008 | Romo | | D26/67 |
| D576,330 S * | 9/2008 | Ruud et al. | | D26/71 |
| D577,455 S * | 9/2008 | Zheng et al. | | D26/71 |
| D580,577 S * | 11/2008 | Wang et al. | | D26/63 |

| | | | | |
|-------------------|---------|-----------------|-------|------------|
| 7,637,642 B2 * | 12/2009 | Kinnune et al. | | 362/368 |
| 7,789,539 B2 * | 9/2010 | Kauffman et al. | | 362/346 |
| D646,420 S * | 10/2011 | Chen et al. | | D26/71 |
| D650,935 S * | 12/2011 | Beghelli | | D26/63 |
| 2009/0251898 A1 * | 10/2009 | Kinnune et al. | | 362/249.02 |

* cited by examiner

Primary Examiner — Clare E Heflin

(74) *Attorney, Agent, or Firm* — Altis Law Group, Inc.

(57) **CLAIM**

The ornamental design for a light emitting diode lamp, as shown and described.

DESCRIPTION

FIG. 1 is a perspective view of a light emitting diode lamp showing my new design.

FIG. 2 is a front elevational view thereof.

FIG. 3 is a rear elevational view thereof.

FIG. 4 is a left-side, elevational view thereof.

FIG. 5 is a right-side, elevational view thereof.

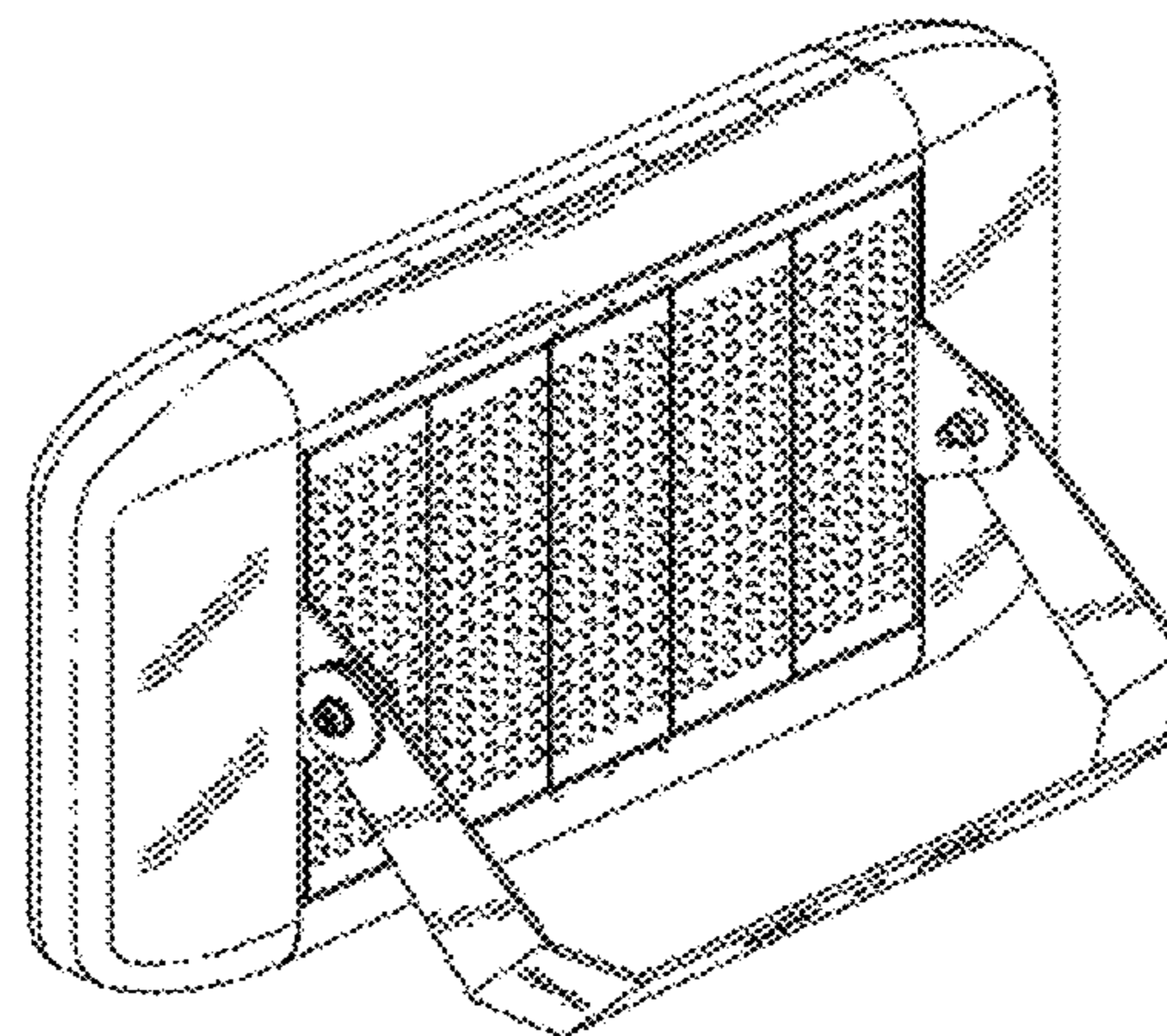
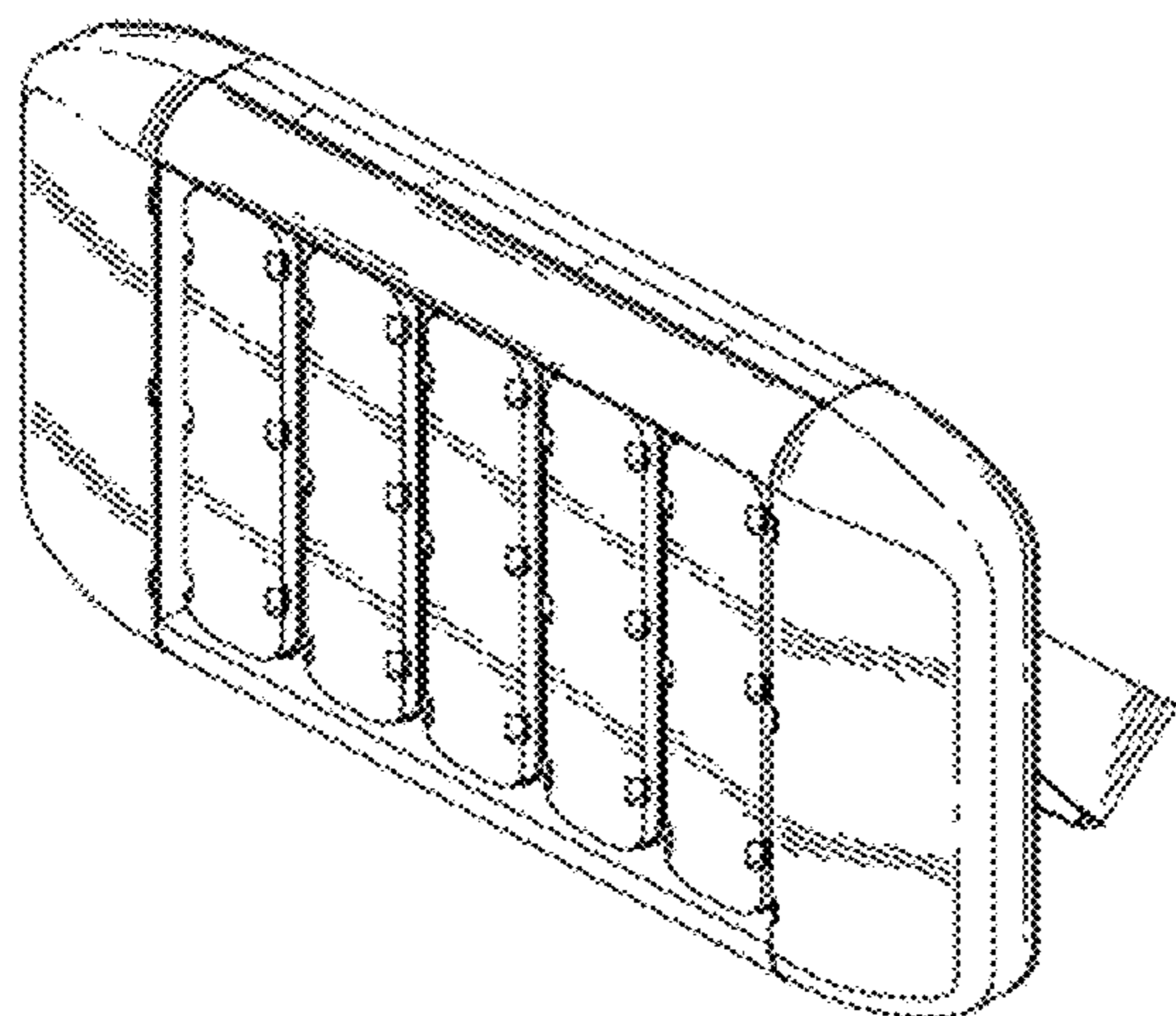
FIG. 6 is a top plan view thereof.

FIG. 7 is a bottom plan view thereof; and,

FIG. 8 is another perspective view thereof, from a rear aspect.

The broken lines shown on the drawings depict portions of the light fixture that form no part of the claimed design.

1 Claim, 8 Drawing Sheets



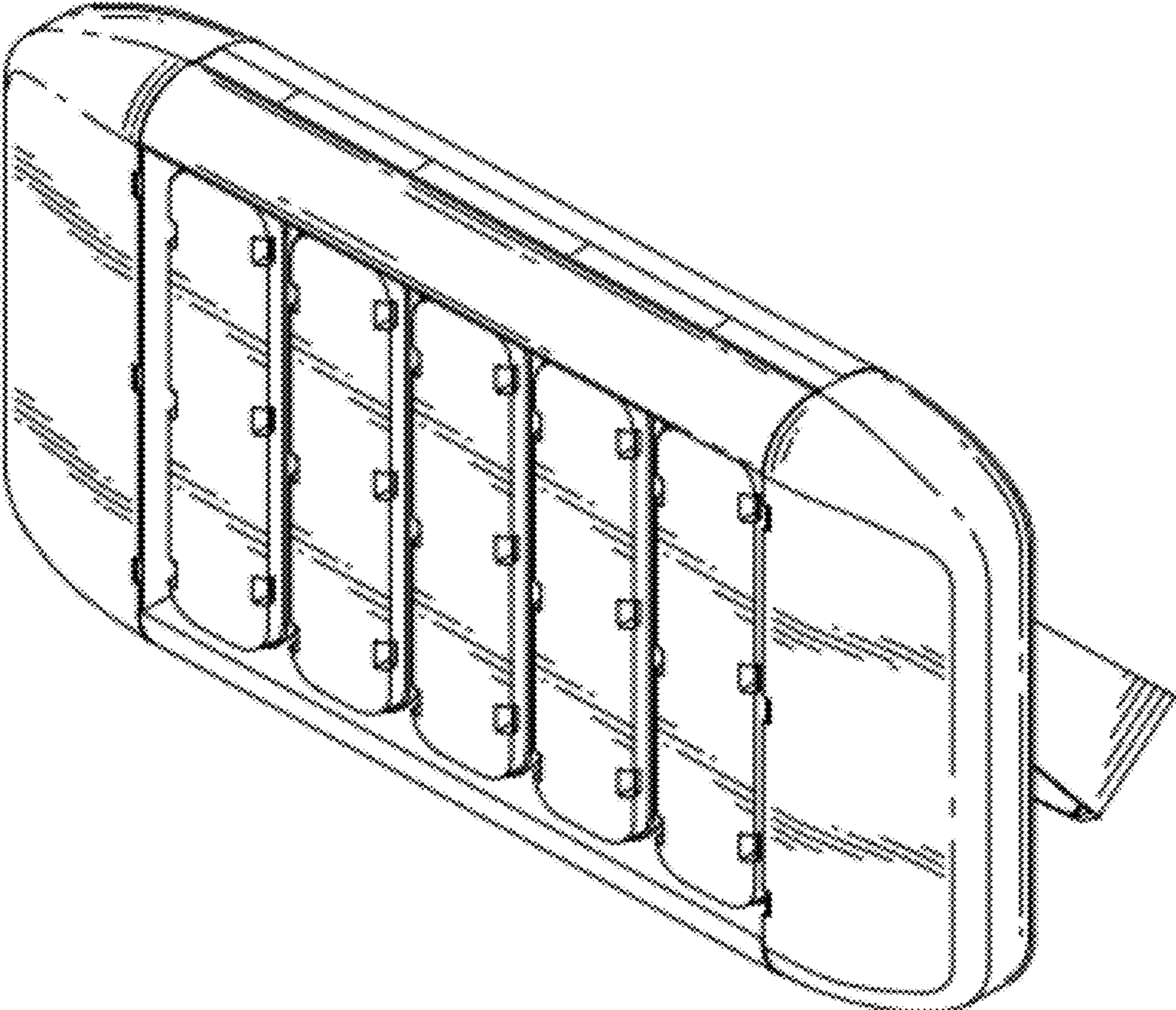


FIG. 1

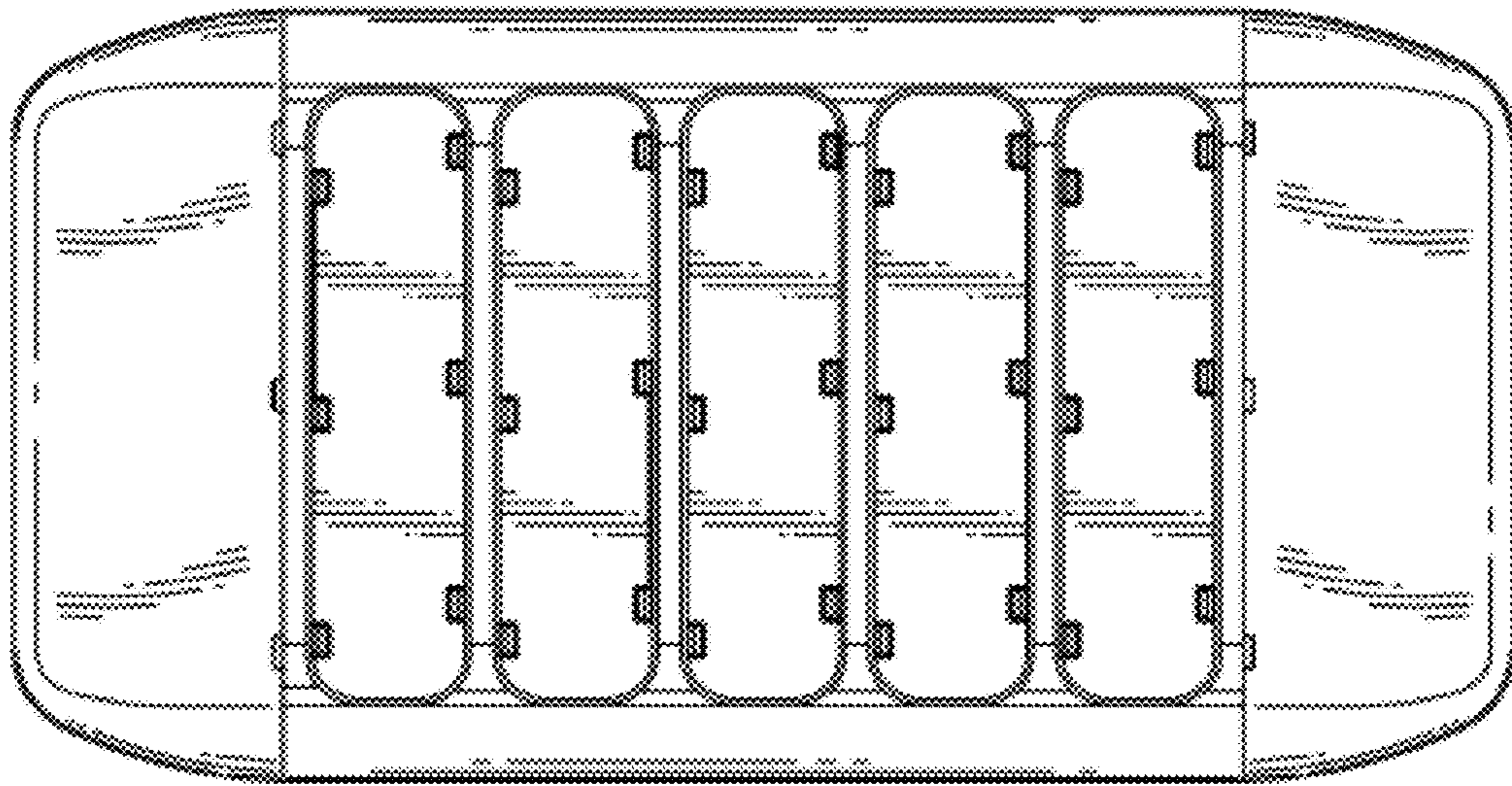


FIG. 2

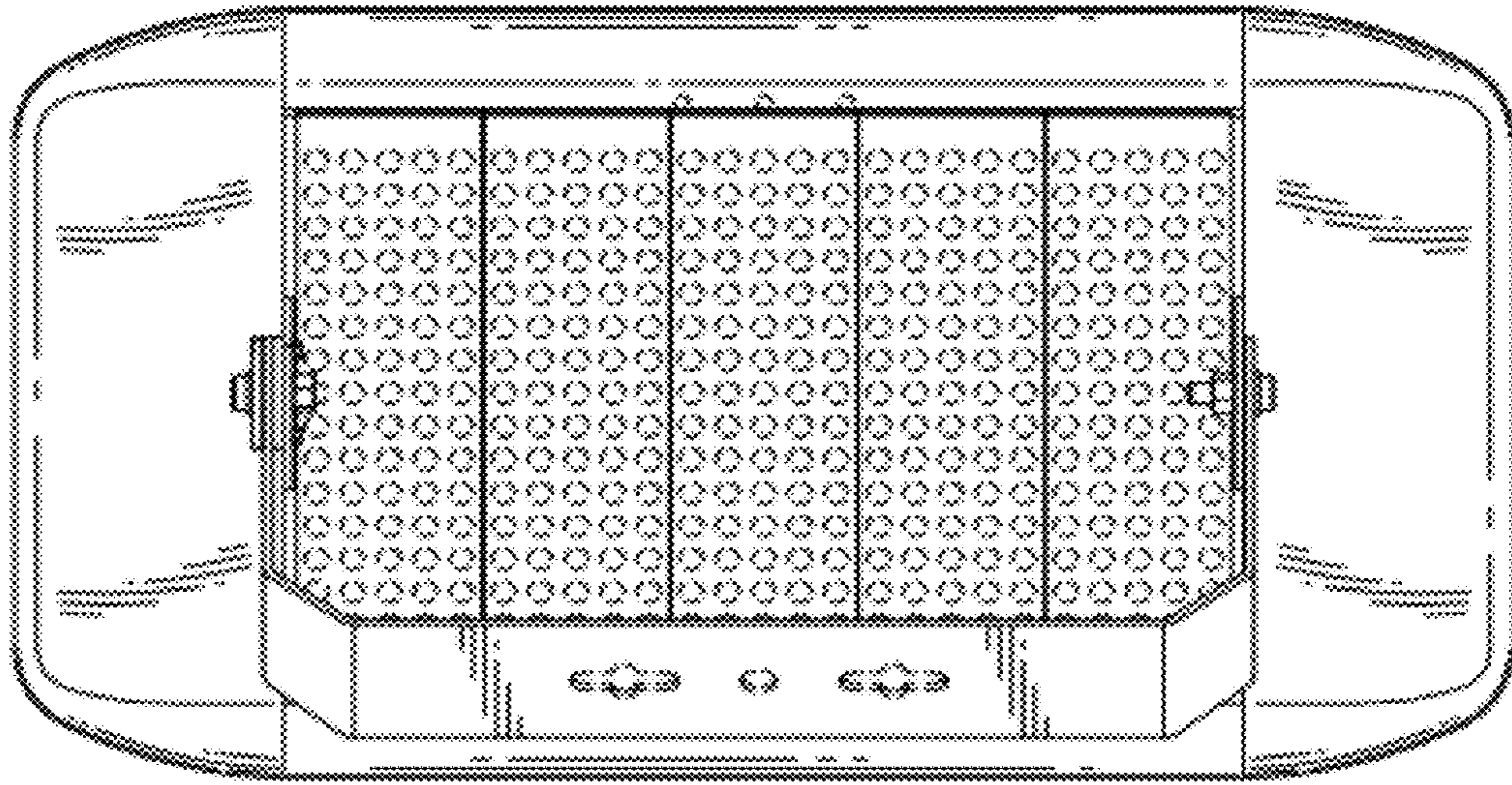


FIG. 3

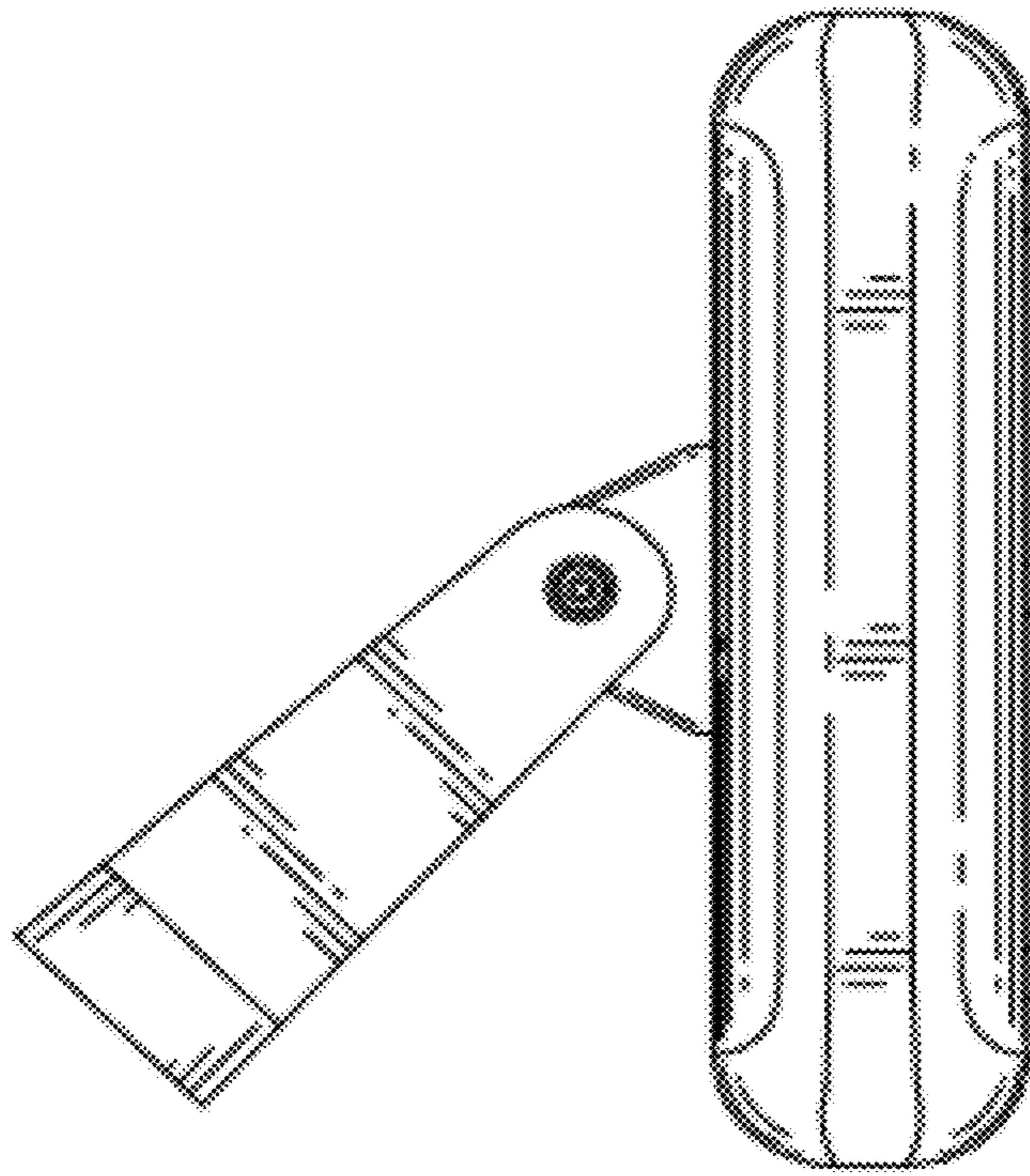


FIG. 4

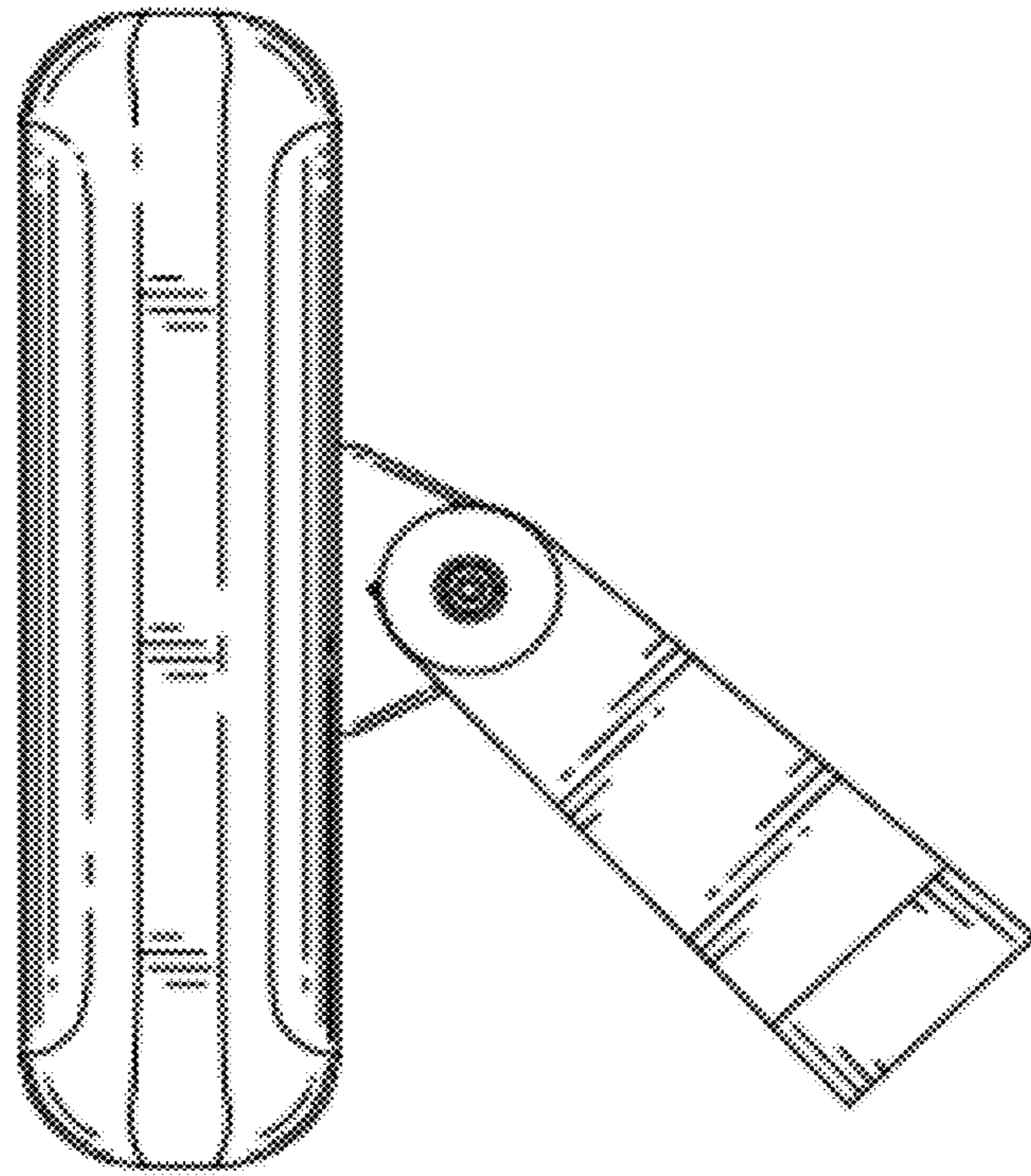


FIG. 5

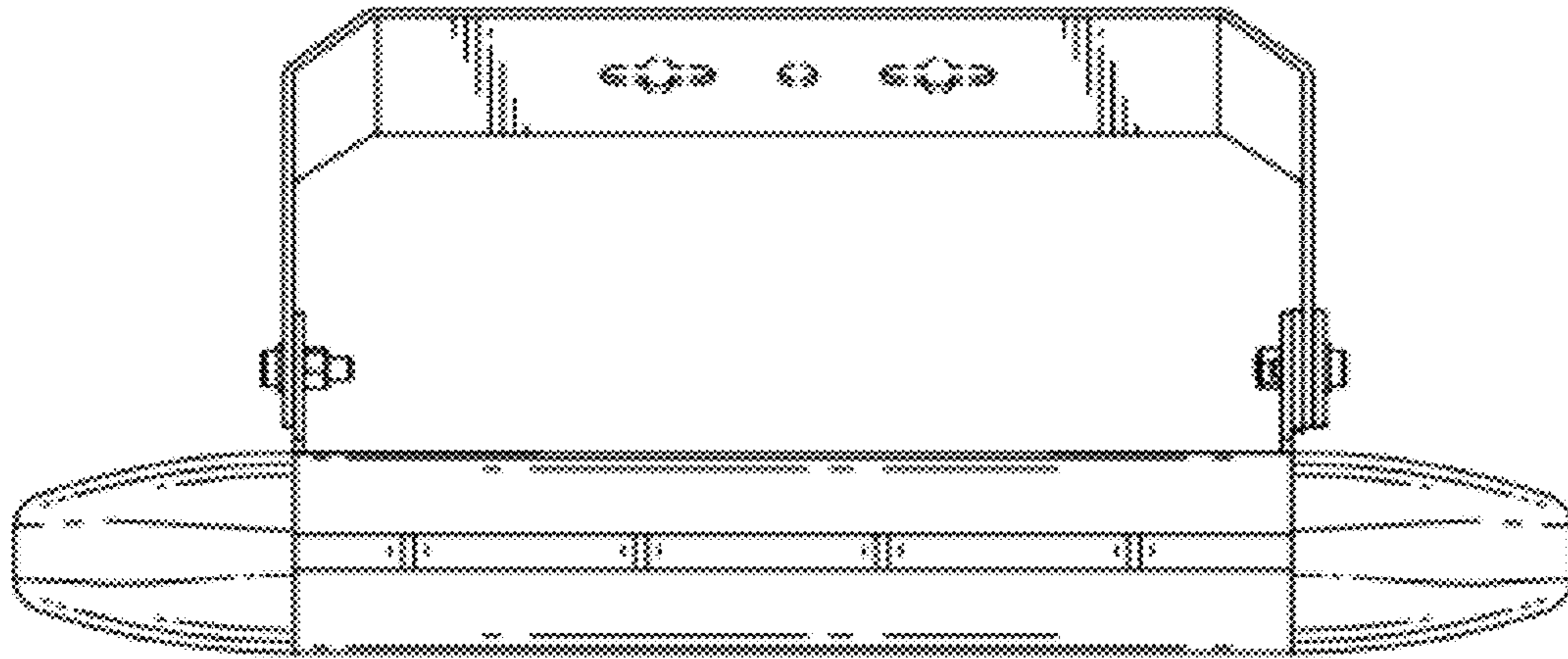


FIG. 6

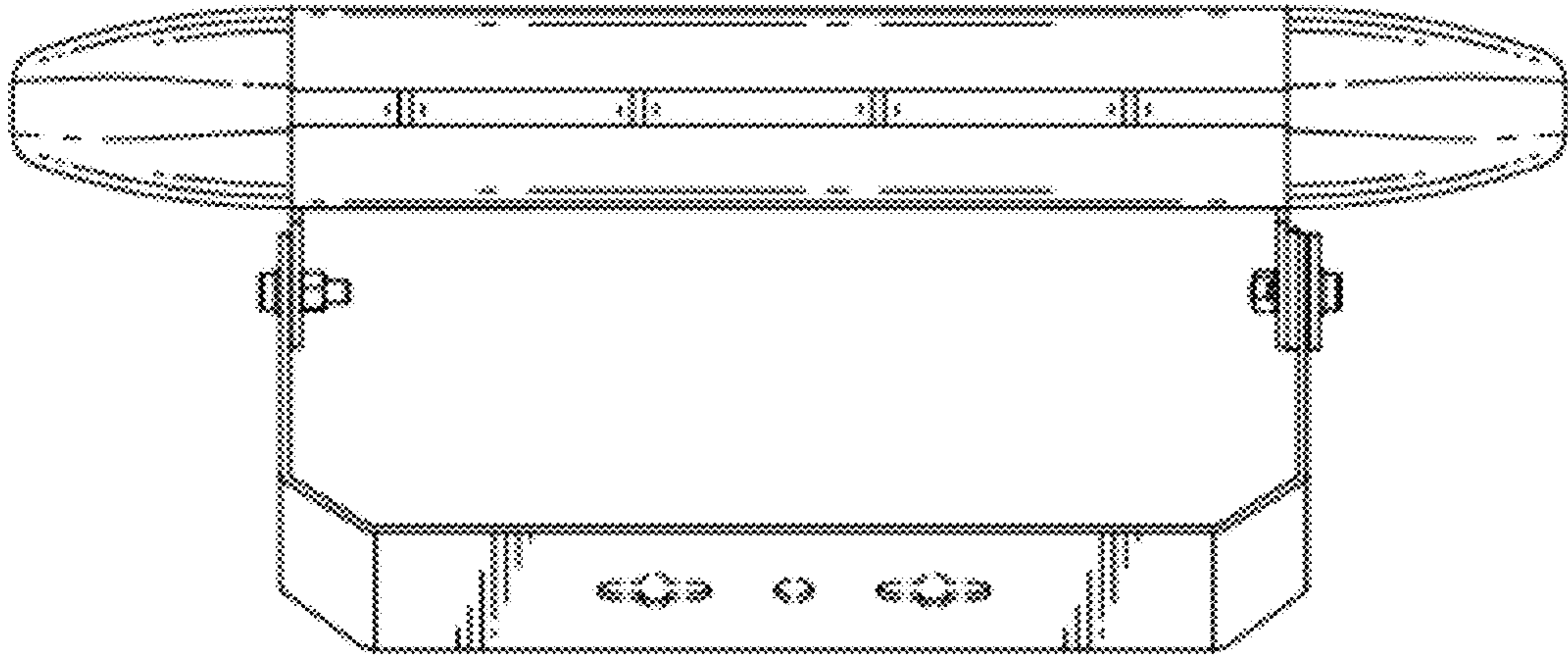


FIG. 7

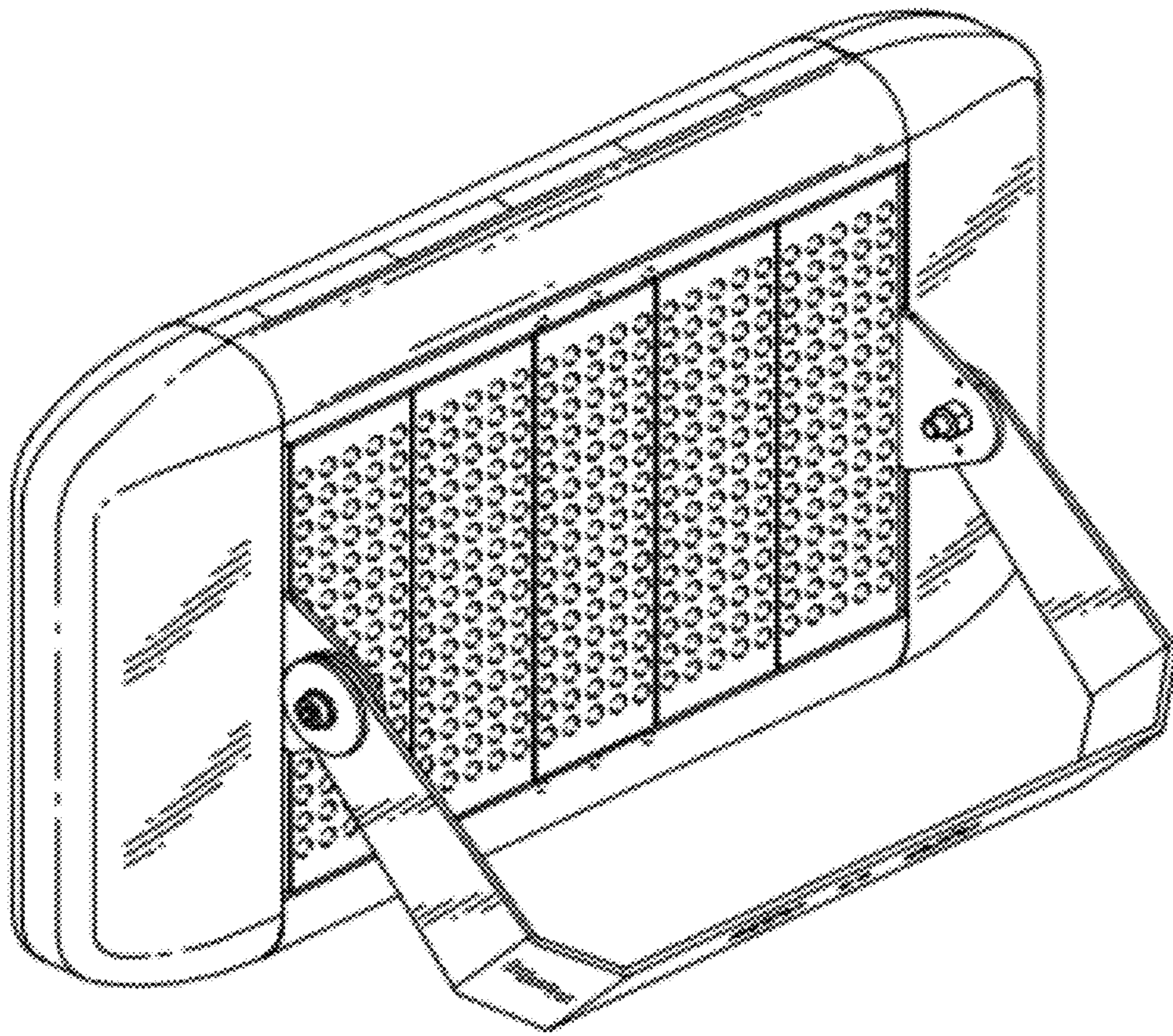


FIG. 8