



US00D665934S

(12) **United States Design Patent**
Kubo

(10) **Patent No.:** **US D665,934 S**

(45) **Date of Patent:** **** Aug. 21, 2012**

(54) **COMBINATION LAMP FOR AN AUTOMOBILE**

(75) Inventor: **Kosuke Kubo**, Okazaki (JP)

(73) Assignees: **Toyota Jidosha Kabushiki Kaisha** (JP);
Fuji Jukogyo Kabushiki Kaisha (JP)

(**) Term: **14 Years**

(21) Appl. No.: **29/400,064**

(22) Filed: **Aug. 23, 2011**

(30) **Foreign Application Priority Data**

Feb. 28, 2011 (JP) 2011-004261

(51) **LOC (9) Cl.** **26-06**

(52) **U.S. Cl.** **D26/28**

(58) **Field of Classification Search** D26/28-36;
362/459-468, 475-478, 485-487
See application file for complete search history.

(56) **References Cited**

U.S. PATENT DOCUMENTS

D549,363 S *	8/2007	Pfeiffer	D26/28
D552,769 S *	10/2007	Leclercq	D26/28
D605,793 S *	12/2009	Weil	D26/28
D641,092 S *	7/2011	Okuda	D26/28

OTHER PUBLICATIONS

Peugeot, Peugeot "RCZ", Carview.co.jp, http://www.carview.co.jp/road_impression/article/peugeot_rcz02/614/photo/14/, Jun. 8, 2011.

BMW, Mini "One", Carview.co.jp, http://www.carview.co.jp/road_impression/article/bmw_mini_mini/680/3/, Sep. 1, 2010.

* cited by examiner

Primary Examiner — Marcus Jackson

(74) *Attorney, Agent, or Firm* — SAIDMAN DesignLaw Group

(57) **CLAIM**

The ornamental design for a combination lamp for an automobile, as shown and described.

DESCRIPTION

FIG. 1 is a perspective view of a combination lamp for an automobile showing my new design;

FIG. 2 is a front view thereof;

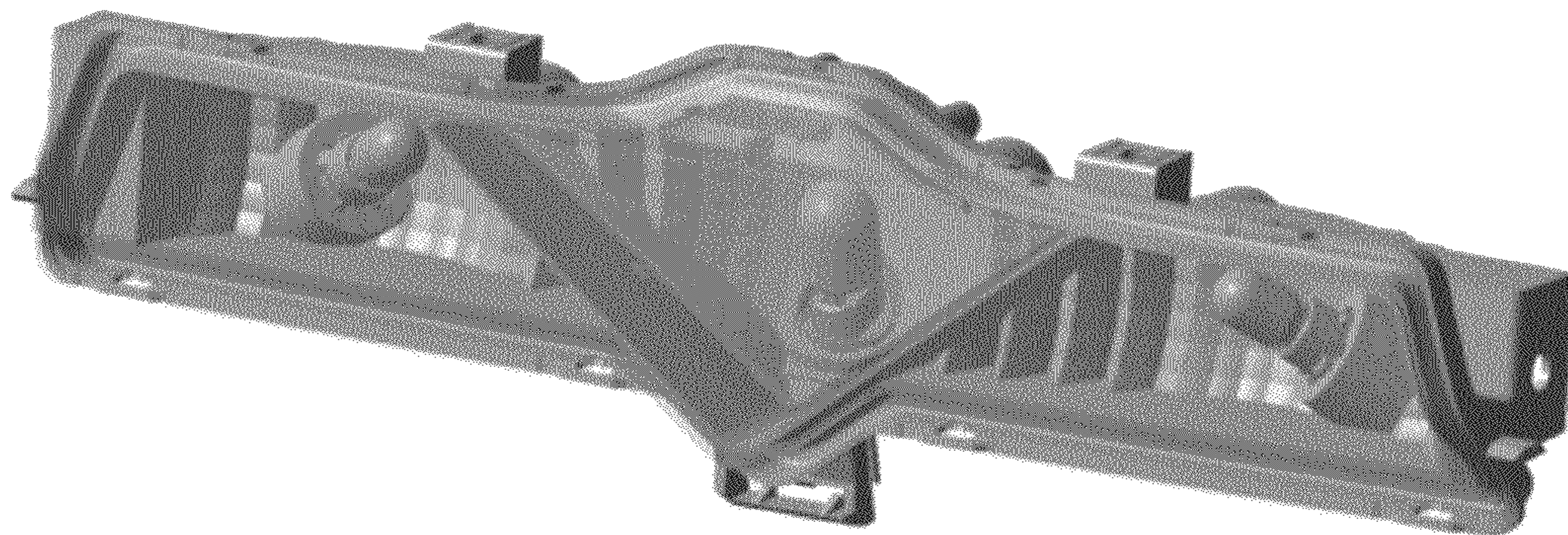
FIG. 3 is a top view thereof;

FIG. 4 is a bottom view thereof;

FIG. 5 is a left side view thereof; and,

FIG. 6 is a right side view thereof.

1 Claim, 2 Drawing Sheets



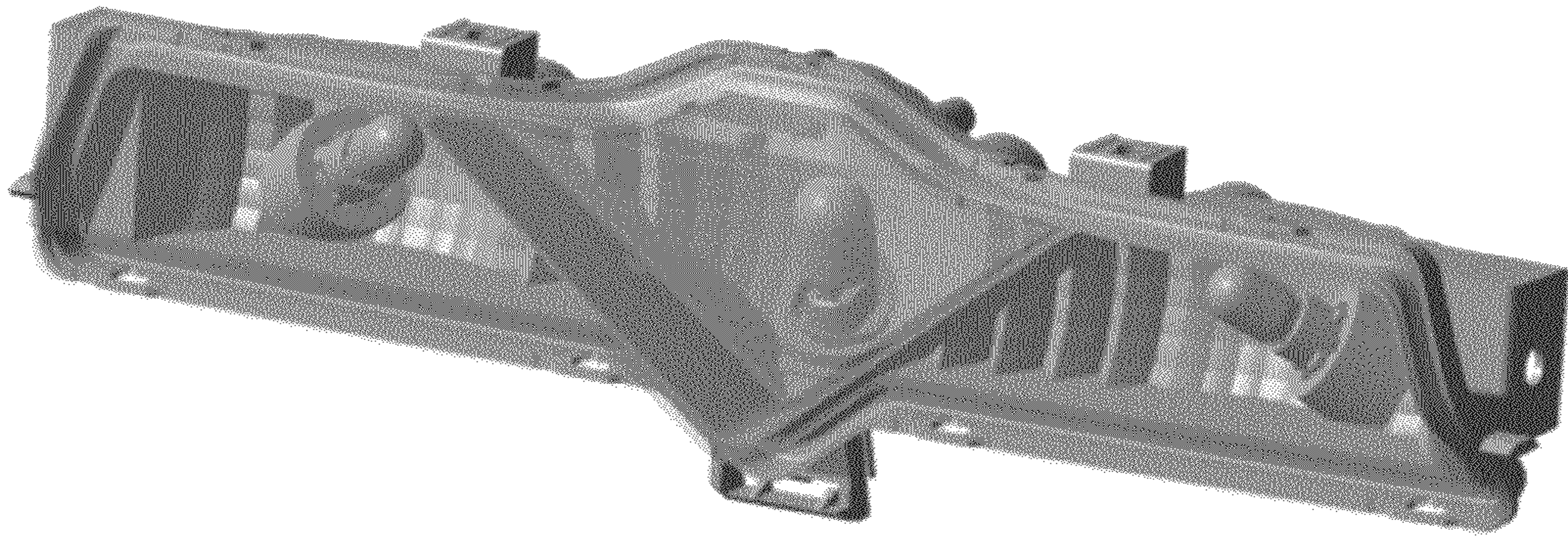


FIG. 1

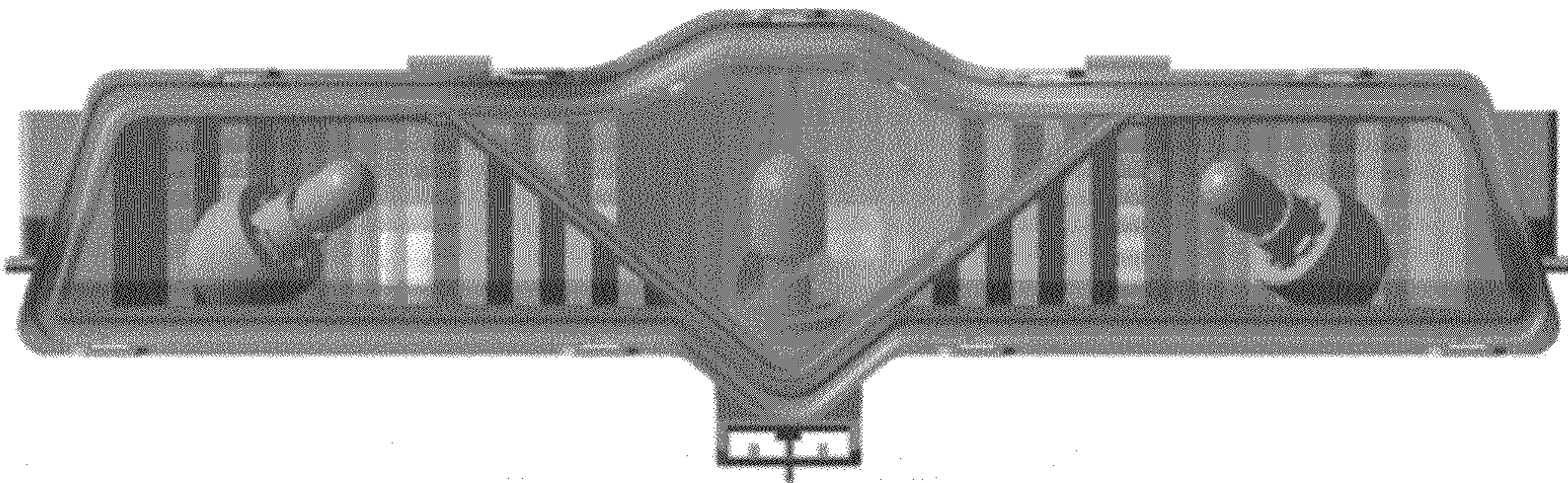


FIG. 2

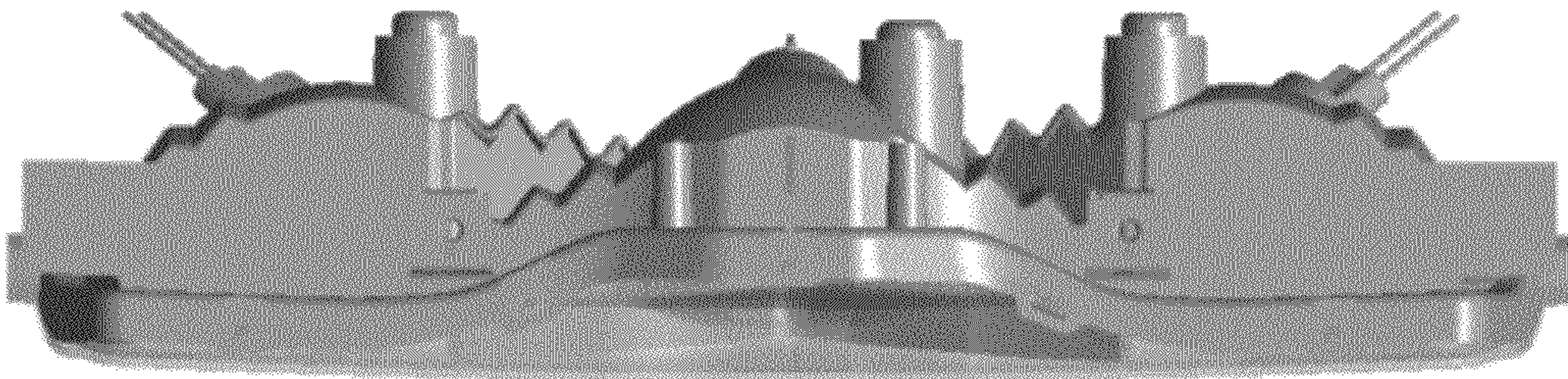


FIG. 3

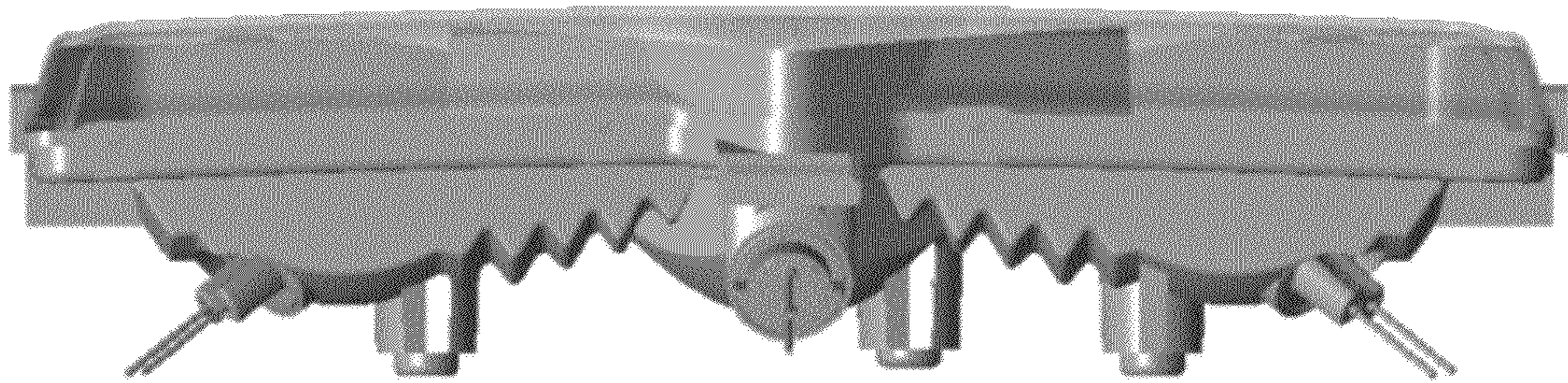


FIG. 4

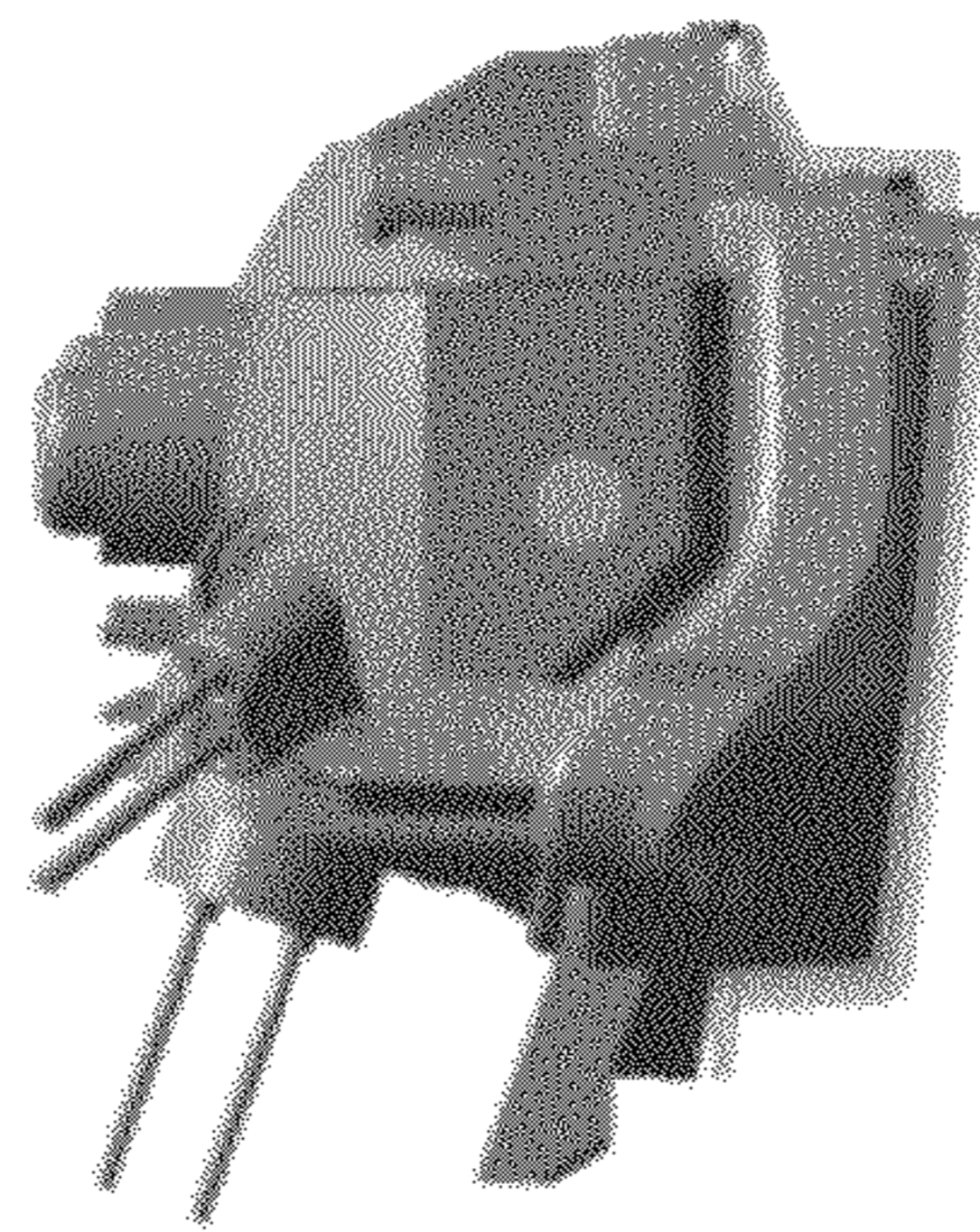


FIG. 5

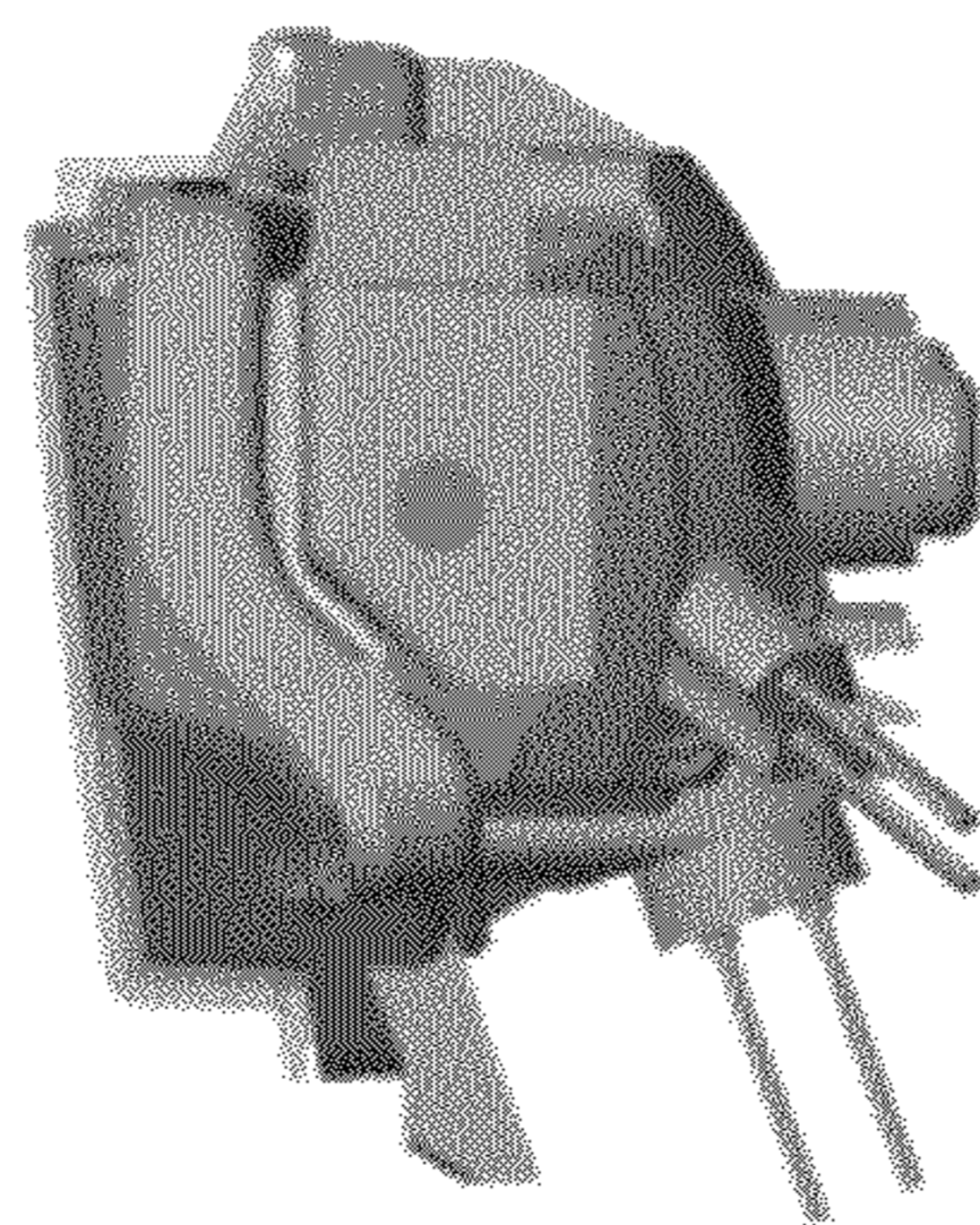


FIG. 6