



US00D665933S

(12) **United States Design Patent**
Kubo et al.

(10) **Patent No.:** **US D665,933 S**
(45) **Date of Patent:** **** Aug. 21, 2012**

(54) **COMBINATION LAMP FOR AN
AUTOMOBILE**

D529,208 S * 9/2006 Ikeda D26/28
D542,442 S * 5/2007 Matsunami D26/28
D544,614 S * 6/2007 Markefka D26/28

(75) Inventors: **Kosuke Kubo**, Okazaki (JP); **Kenji
Kido**, Okazaki (JP)

OTHER PUBLICATIONS

(73) Assignees: **Toyota Jidosha Kabushiki Kaisha** (JP);
Fuji Jukogyo Kabushiki Kaisha (JP)

BMW, BMW Z4, Carview.co.jp, http://www.netcarshow.com/bmw/2003-z4/800x600/wallpaper_2d.htm, available at least as early as Sep. 30, 2010.

(**) Term: **14 Years**

Alfa Romeo, Alfa Romeo Giulietta, Carview.co.jp, http://www.netcarshow.com/alfa_romeo/2011-giulietta/1024x768/wallpaper_83.htm, available at least as early as Sep. 30, 2010.

(21) Appl. No.: **29/400,061**

* cited by examiner

(22) Filed: **Aug. 23, 2011**

Primary Examiner — Marcus Jackson

(30) **Foreign Application Priority Data**

(74) *Attorney, Agent, or Firm* — SAIDMAN DesignLaw Group

Feb. 28, 2011 (JP) 2011-004252

(51) **LOC (9) Cl.** **26-06**

(52) **U.S. Cl.** **D26/28**

(58) **Field of Classification Search** D26/28-36;
362/459-468, 475-478, 485-487

(57) **CLAIM**

The ornamental design for a combination lamp for an automobile, as shown and described.

See application file for complete search history.

DESCRIPTION

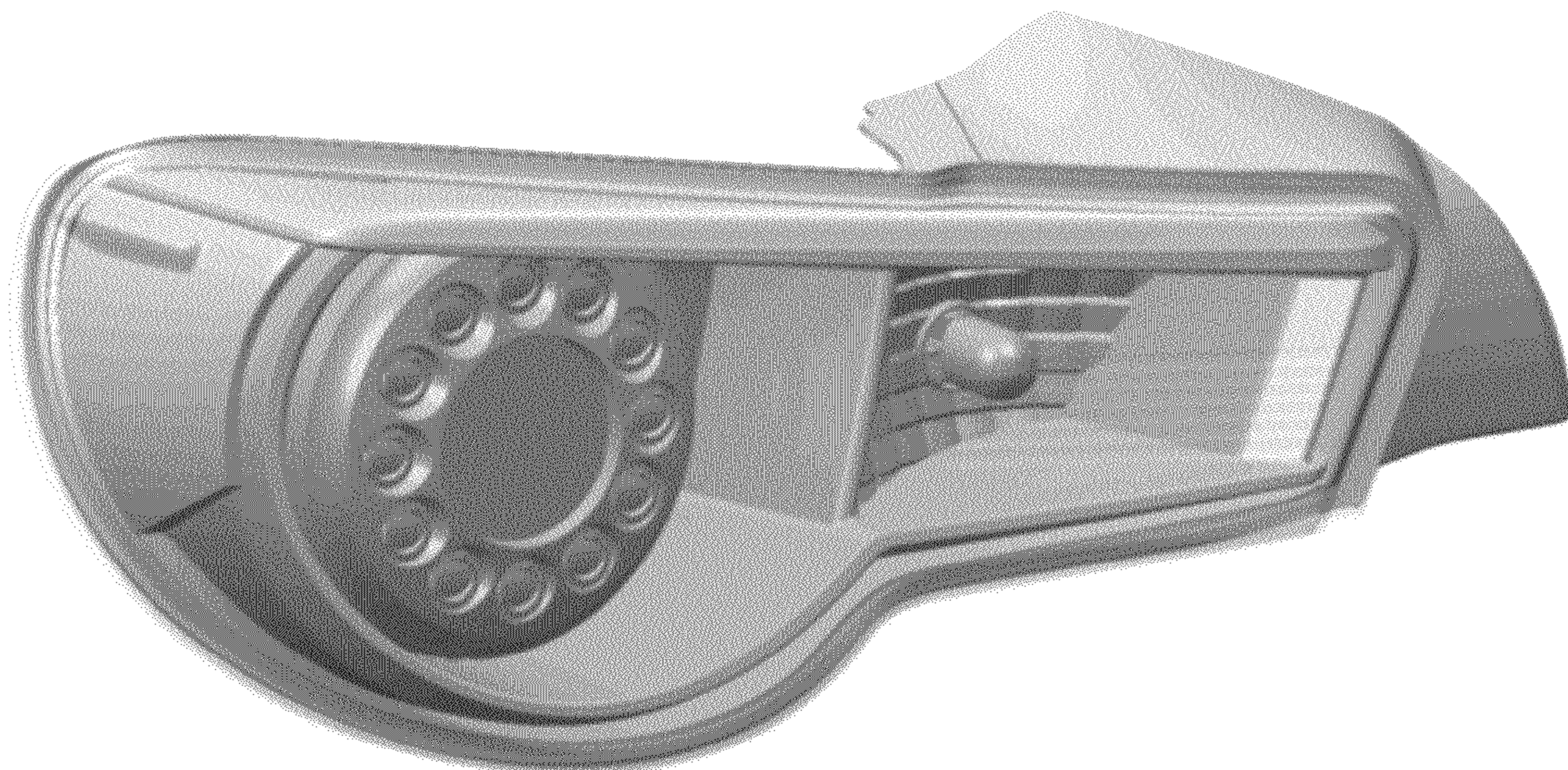
(56) **References Cited**

FIG. 1 is a perspective view of a combination lamp for an automobile showing our new design;
FIG. 2 is a top view thereof;
FIG. 3 is a front view thereof;
FIG. 4 is a bottom view thereof; and,
FIG. 5 is a left side view thereof.

U.S. PATENT DOCUMENTS

D472,656 S * 4/2003 Pfeiffer et al. D26/28
D528,231 S * 9/2006 Ikeda D26/28
D528,681 S * 9/2006 Nakahara D26/28

1 Claim, 3 Drawing Sheets



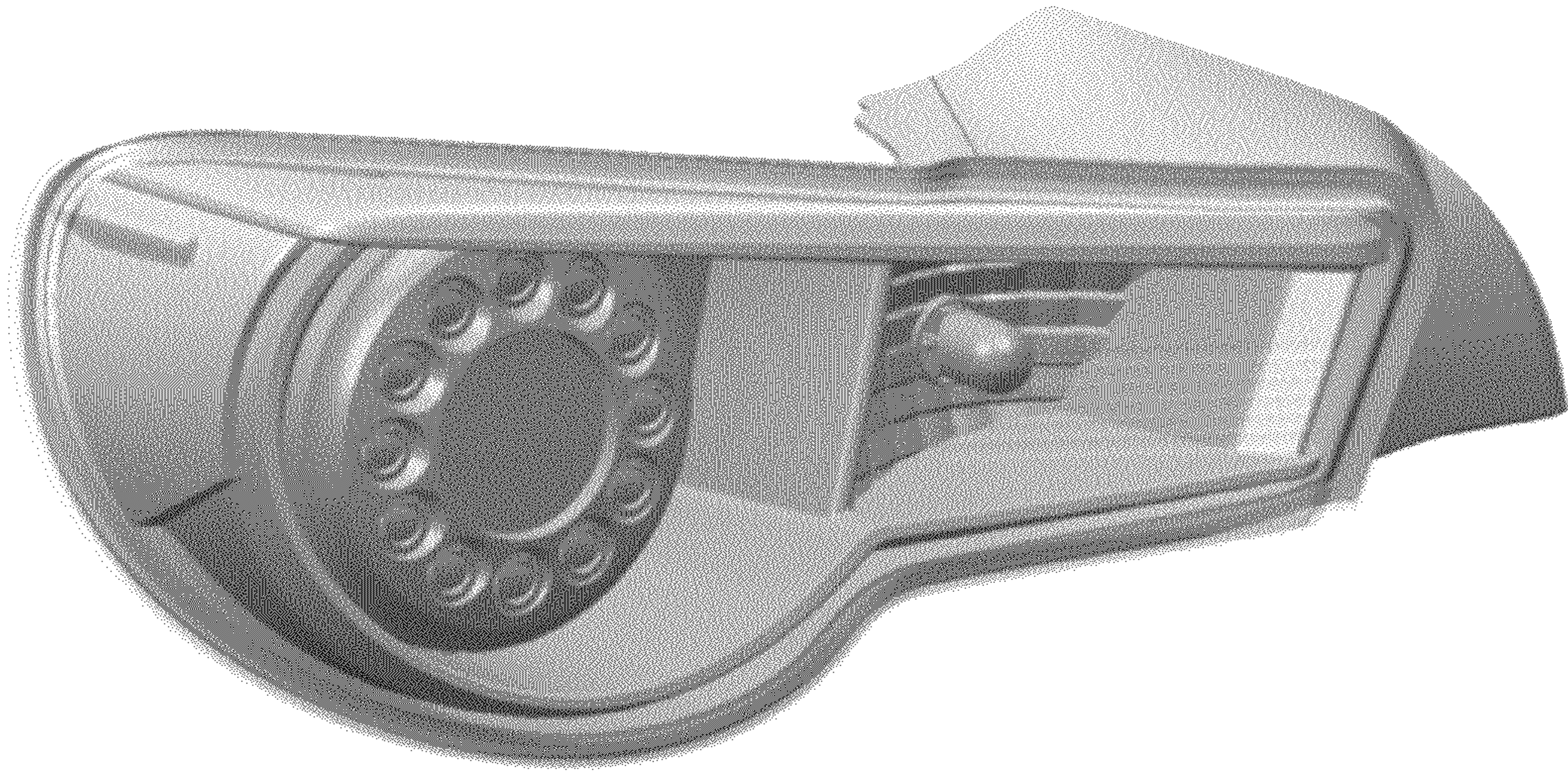


FIG. 1

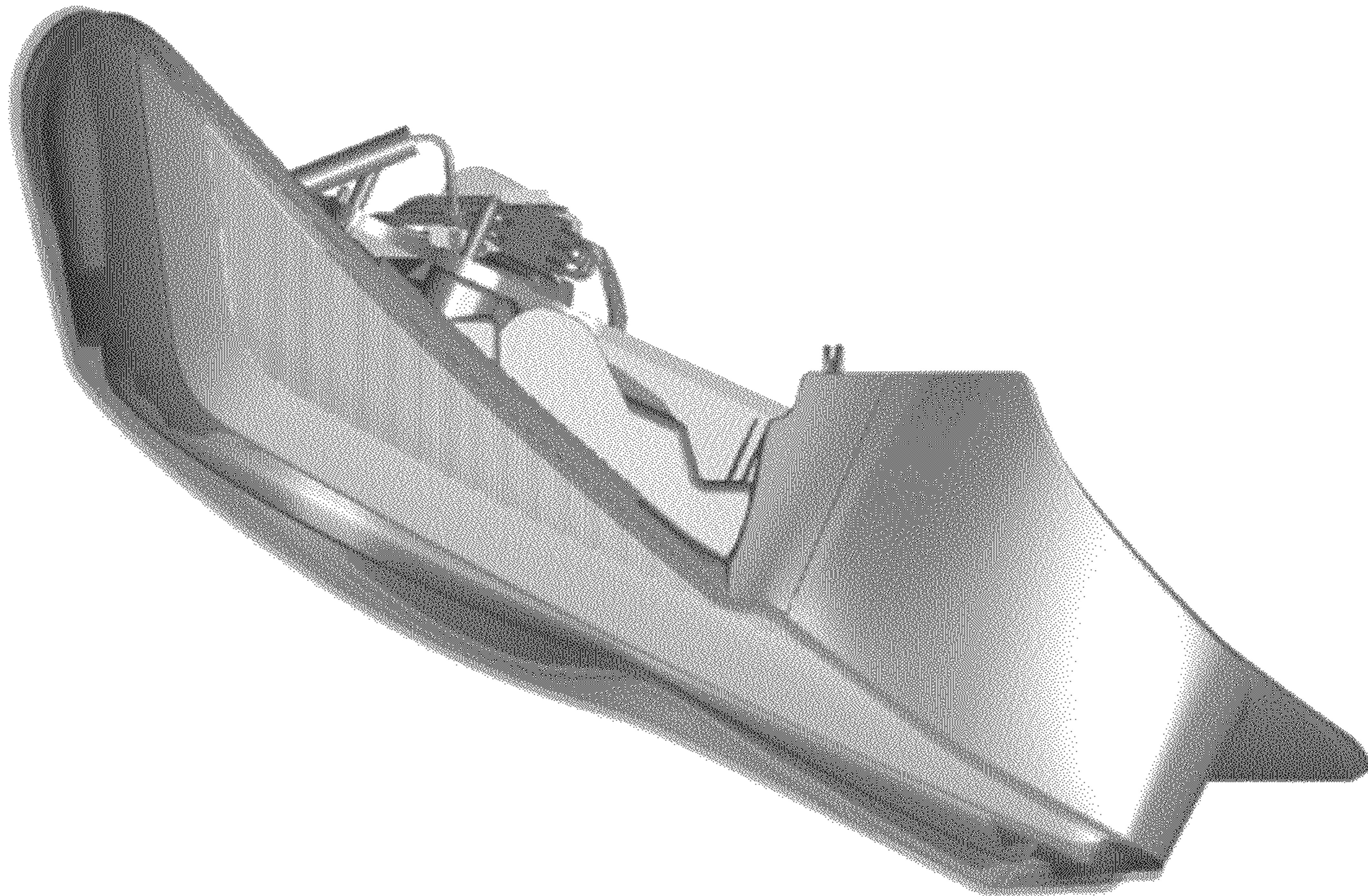


FIG. 2

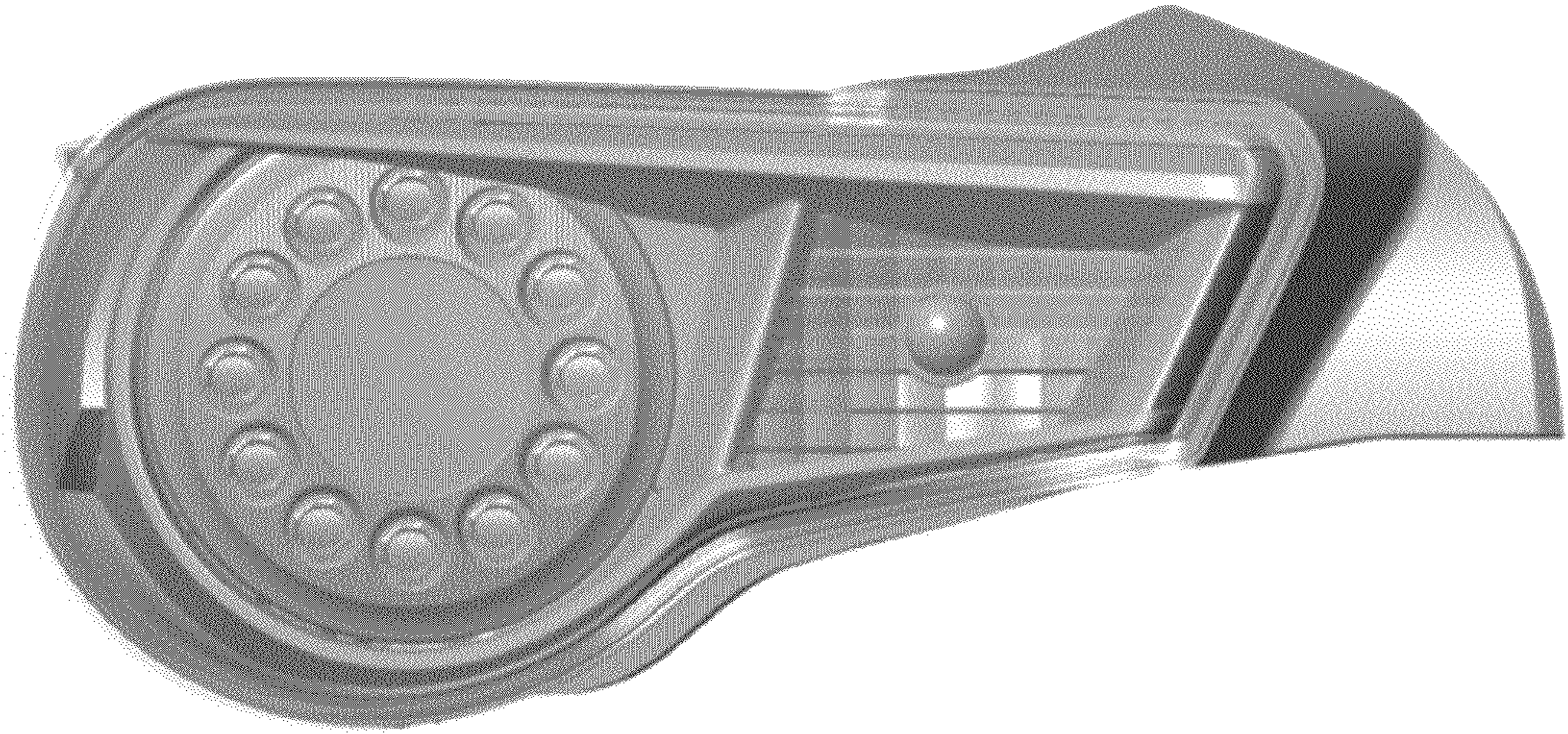


FIG. 3

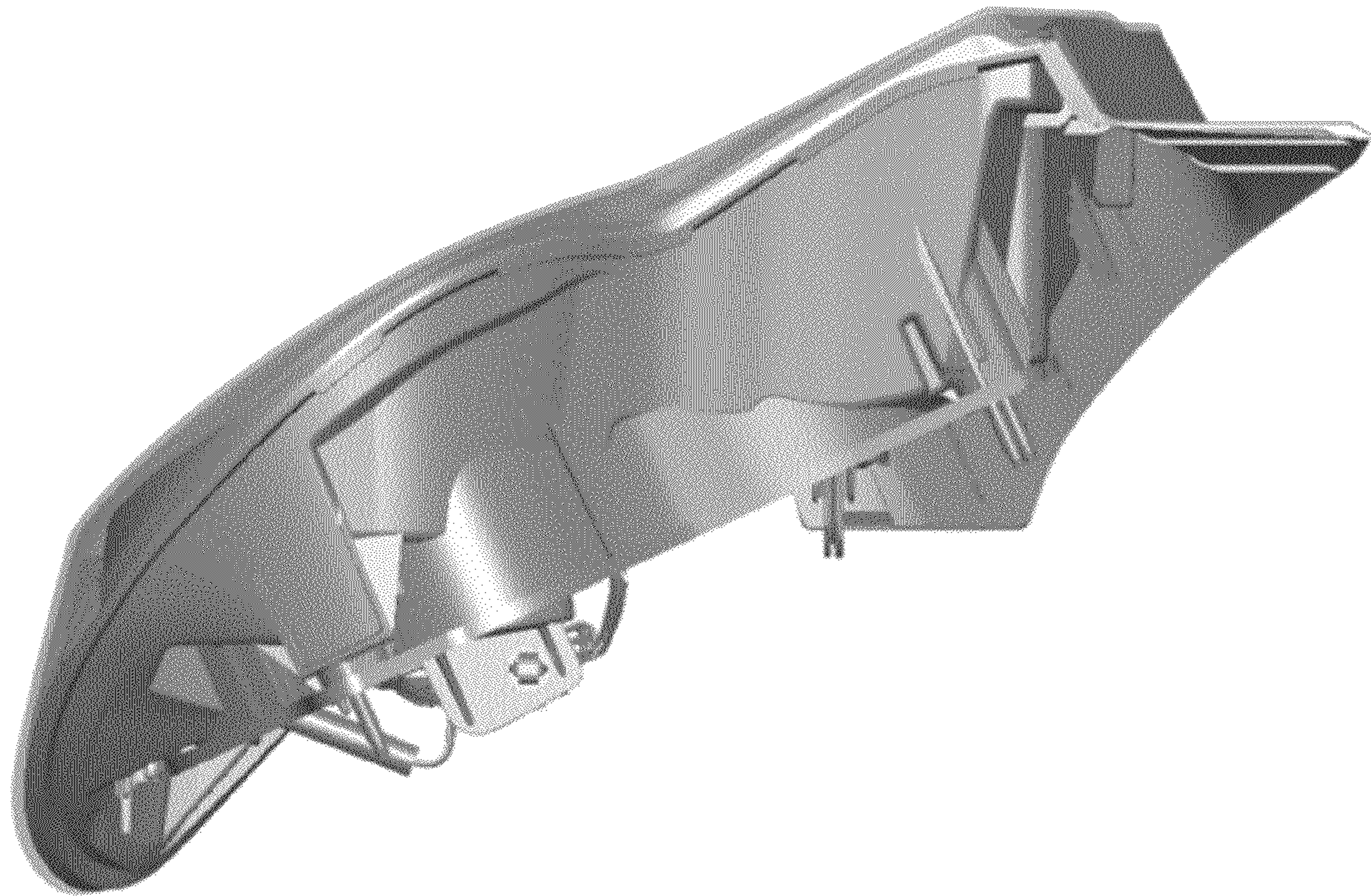


FIG. 4

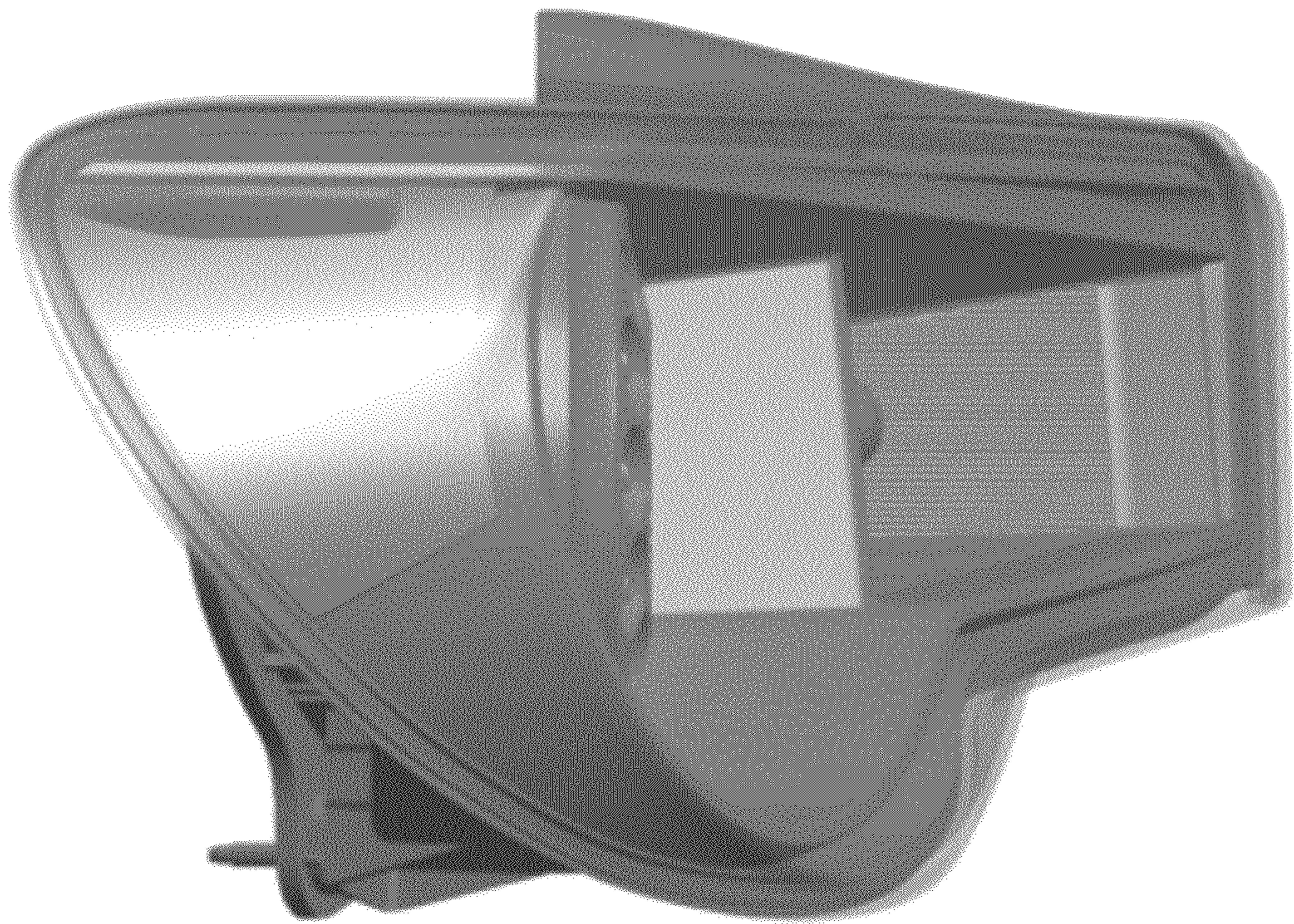


FIG. 5