

US00D665932S

(12) **United States Design Patent**
Espiau et al.

(10) **Patent No.:** **US D665,932 S**
(45) **Date of Patent:** **** Aug. 21, 2012**

(54) **HIGH INTENSITY PLASMA LAMP DESIGN WITH FINS**

(75) Inventors: **Frederick M. Espiau**, Topanga, CA (US); **Mehran Matloubian**, Encino, CA (US)

(73) Assignee: **Topanga Technologies, Inc.**, Canoga Park, CA (US)

(**) Term: **14 Years**

(21) Appl. No.: **29/409,465**

(22) Filed: **Dec. 22, 2011**

Related U.S. Application Data

(62) Division of application No. 29/333,424, filed on Mar. 9, 2009, now Pat. No. Des. 653,363.

(51) **LOC (9) Cl.** **26-04**

(52) **U.S. Cl.** **D26/2**

(58) **Field of Classification Search** D26/1-4;
313/313, 315, 316, 317, 318, 493; 315/52,
315/53, 56, 57, 58

See application file for complete search history.

(56) **References Cited**

U.S. PATENT DOCUMENTS

4,975,655	A	12/1990	Dawson et al.
5,686,793	A	11/1997	Turner et al.
5,777,857	A	7/1998	Degelmann
5,838,108	A	11/1998	Frank et al.
5,886,480	A	3/1999	Penzenstadler et al.
5,923,122	A	7/1999	Frank et al.
6,241,369	B1	6/2001	Mackiewicz
6,617,806	B2	9/2003	Kirkpatrick et al.
6,737,809	B2	5/2004	Espiau et al.
6,922,021	B2	7/2005	Espiau et al.
7,119,641	B2	10/2006	Petrov et al.

D532,532	S	*	11/2006	Maxik	D26/2
D535,038	S	*	1/2007	Egawa et al.	D26/2
D553,265	S	*	10/2007	Maxik	D26/2
D553,266	S	*	10/2007	Maxik	D26/2
7,348,732	B2		3/2008	Espiau et al.		
7,350,936	B2		4/2008	Ducharme et al.		
7,358,678	B2		4/2008	Espiau et al.		
7,362,054	B2		4/2008	Espiau et al.		
7,362,055	B2		4/2008	Espiau et al.		
7,362,056	B2		4/2008	Espiau et al.		
7,372,209	B2		5/2008	Espiau et al.		
7,391,158	B2		6/2008	Espiau et al.		
D651,326	S	*	12/2011	Lai et al.	D26/2
D653,363	S	*	1/2012	Espiau et al.	D26/2
2006/0250090	A9		11/2006	Guthrie		

OTHER PUBLICATIONS

Notice of Allowance for U.S. Appl. No. 29/333,424, mailed on Sep. 22, 2011, 7 pages.

Restriction Requirement for U.S. Appl. No. 29/333,424, mailed on Apr. 26, 2011, 5 pages.

* cited by examiner

Primary Examiner — Marcus Jackson

(74) *Attorney, Agent, or Firm* — Kilpatrick Townsend and Stockton LLP

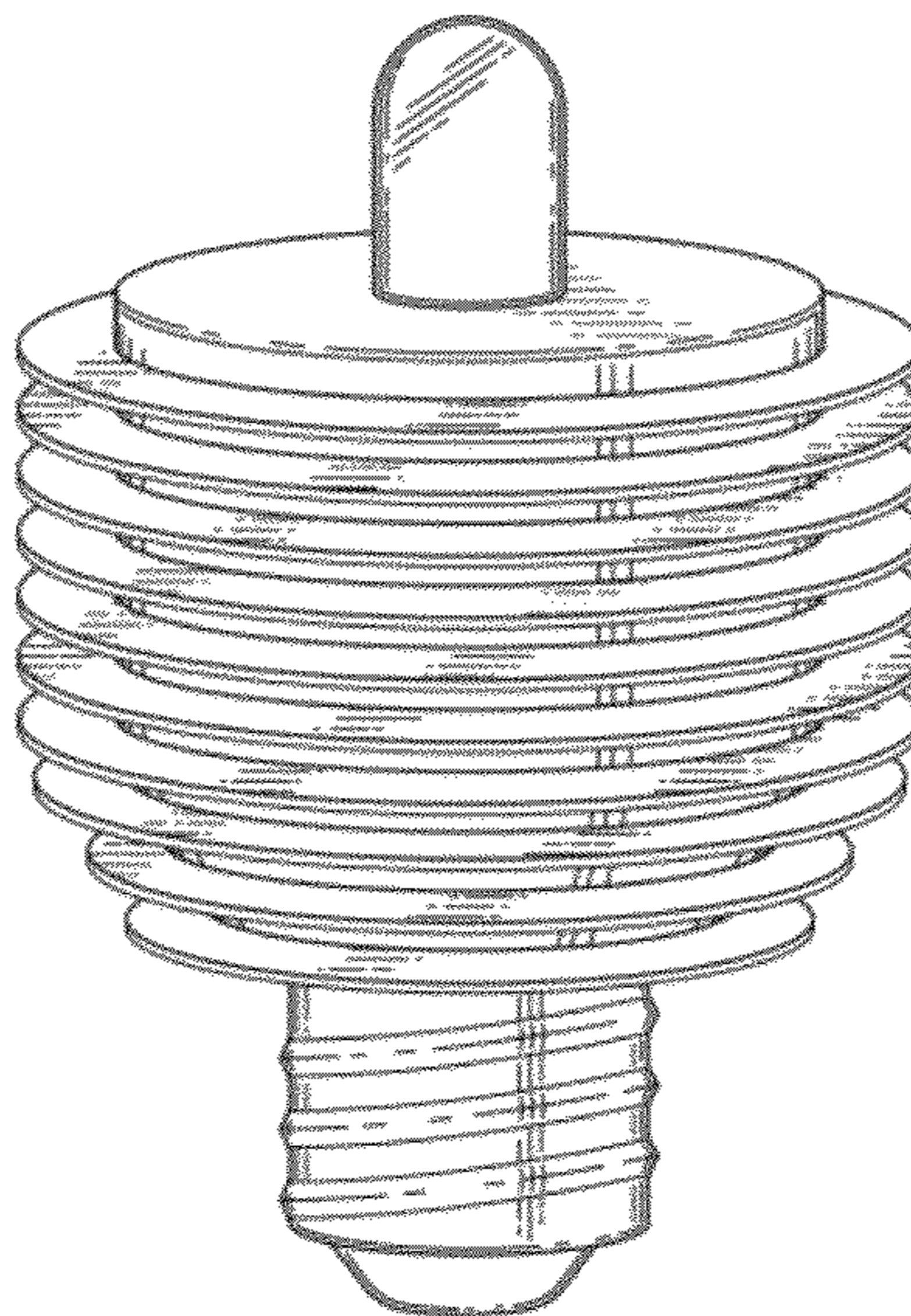
(57) **CLAIM**

The ornamental design for high intensity plasma lamp design with fins, as shown and described.

DESCRIPTION

FIG. 1 is a perspective view of an high intensity plasma lamp design with fins showing our new design; FIG. 2 is a front view thereof; FIG. 3 is a top view thereof; and, FIG. 4 is a bottom view thereof. The broken lines shown represent unclaimed subject matter and form no part of the claimed design.

1 Claim, 3 Drawing Sheets



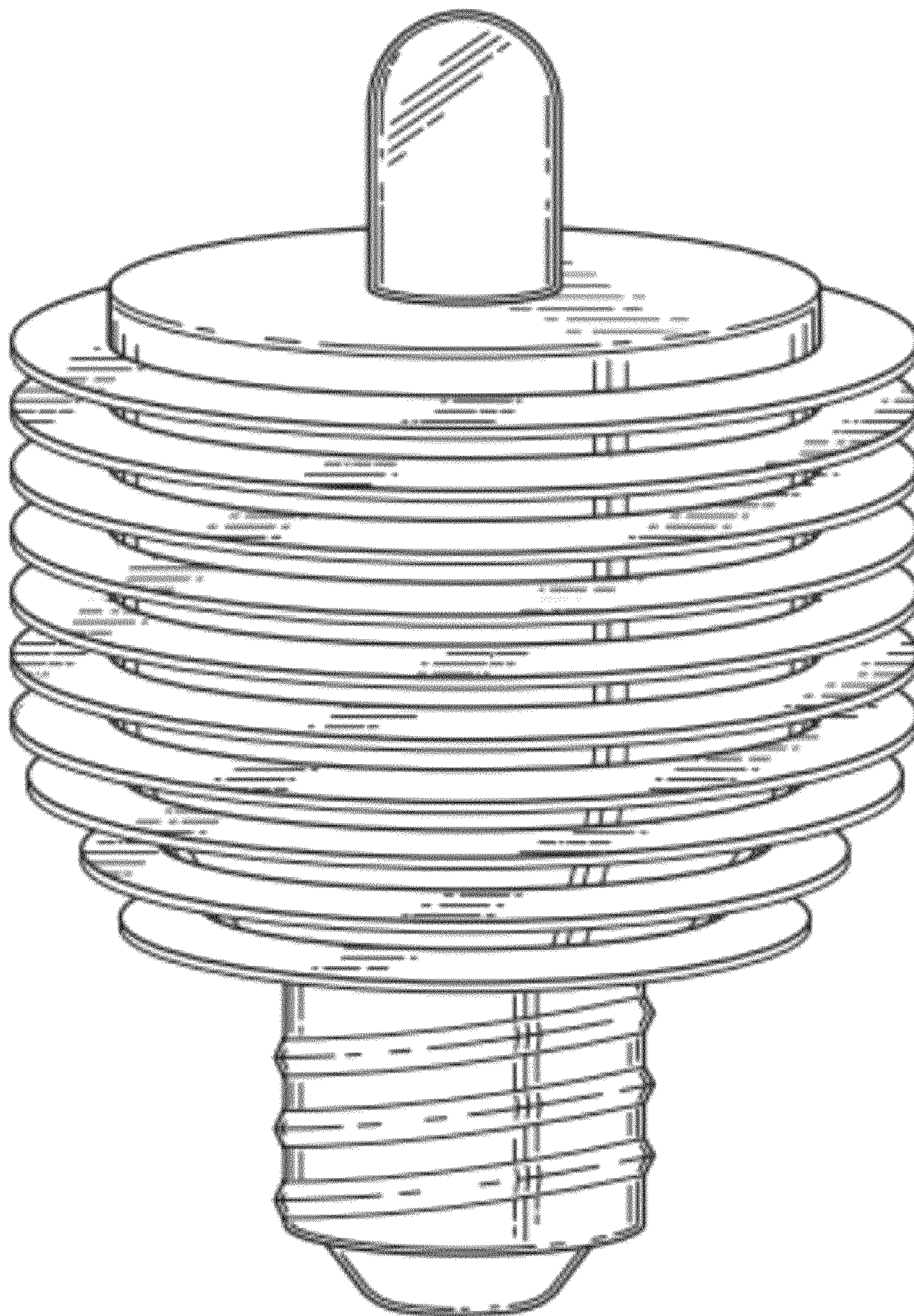


FIG. 1

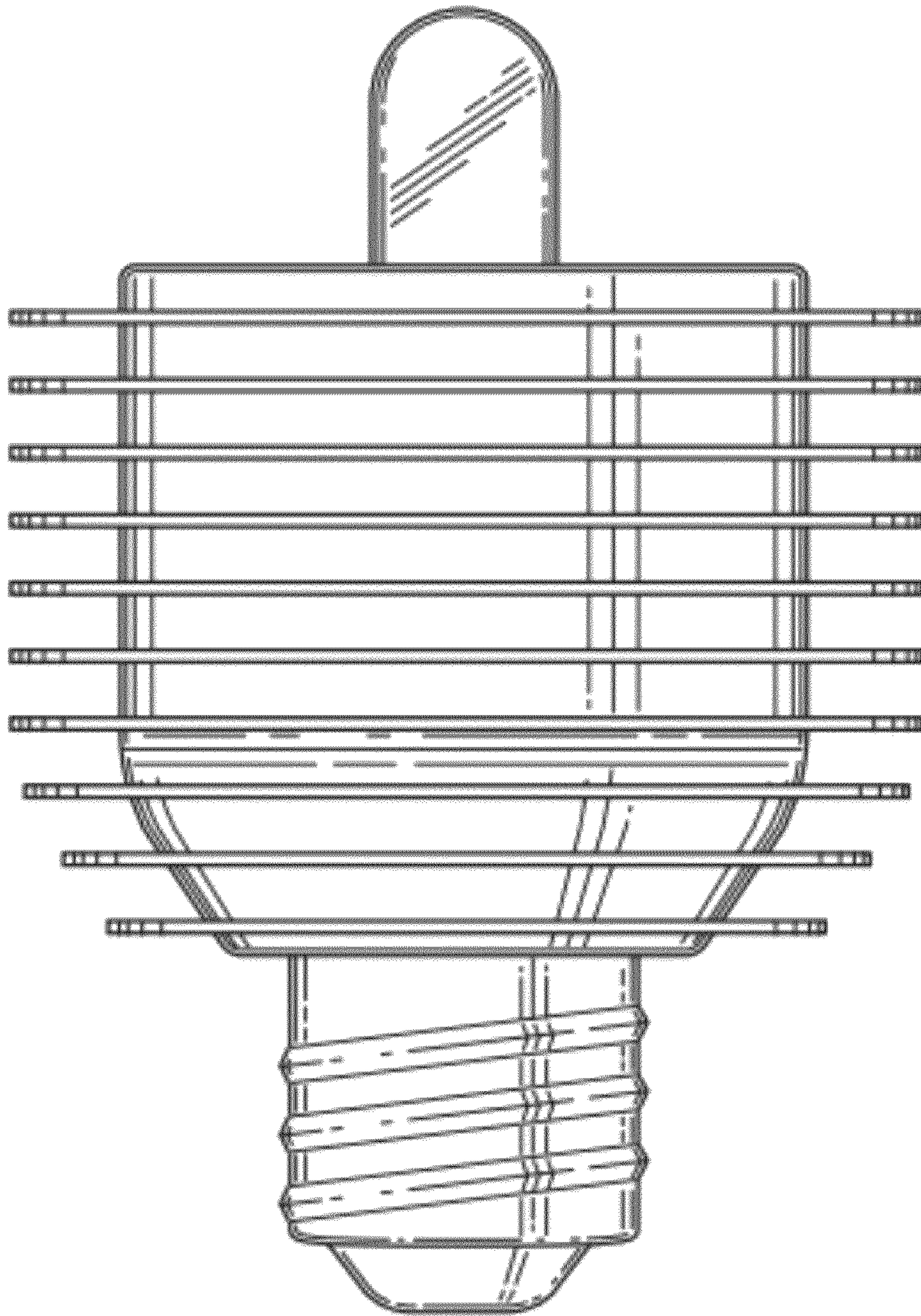


FIG. 2

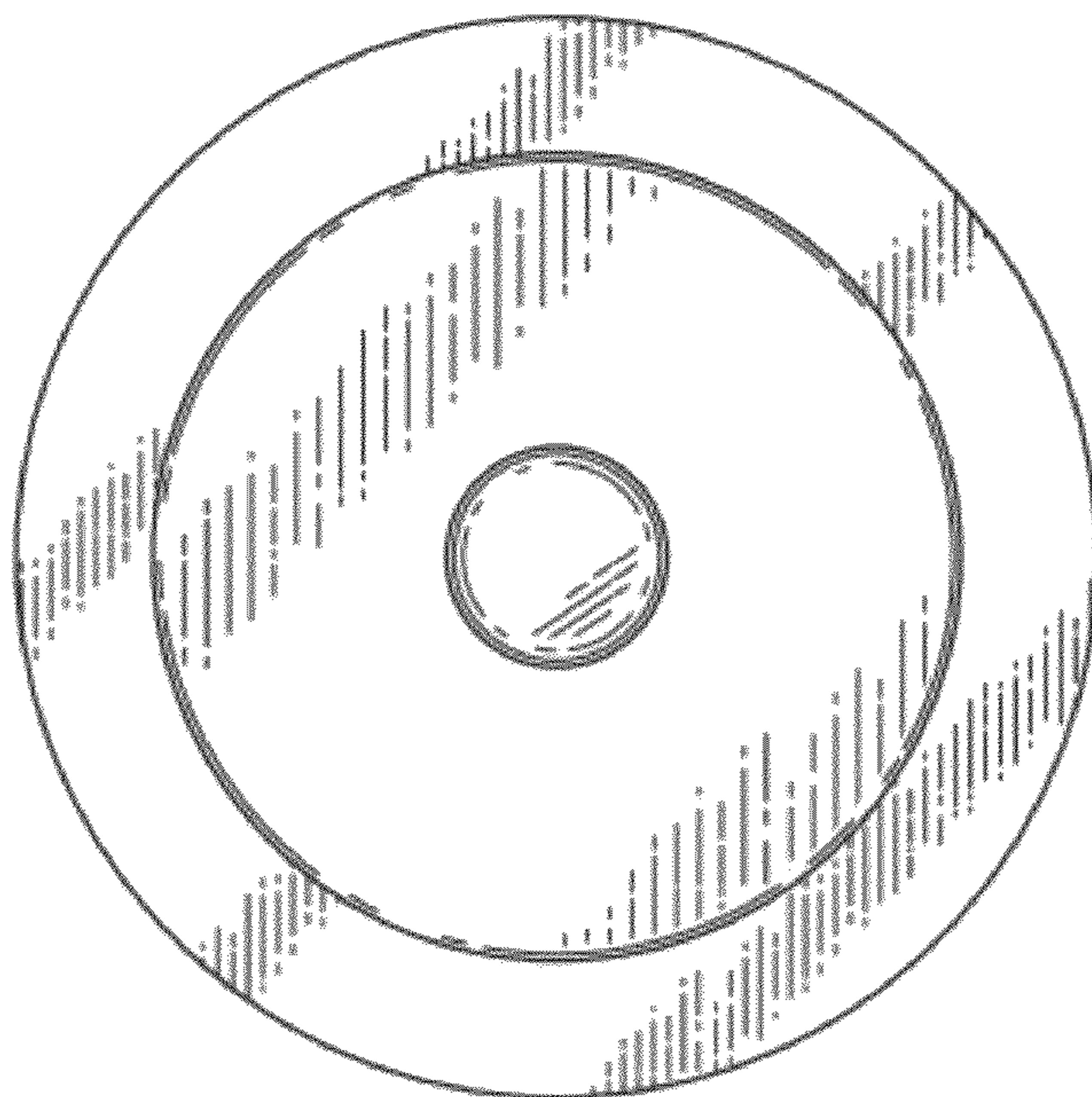


FIG. 3

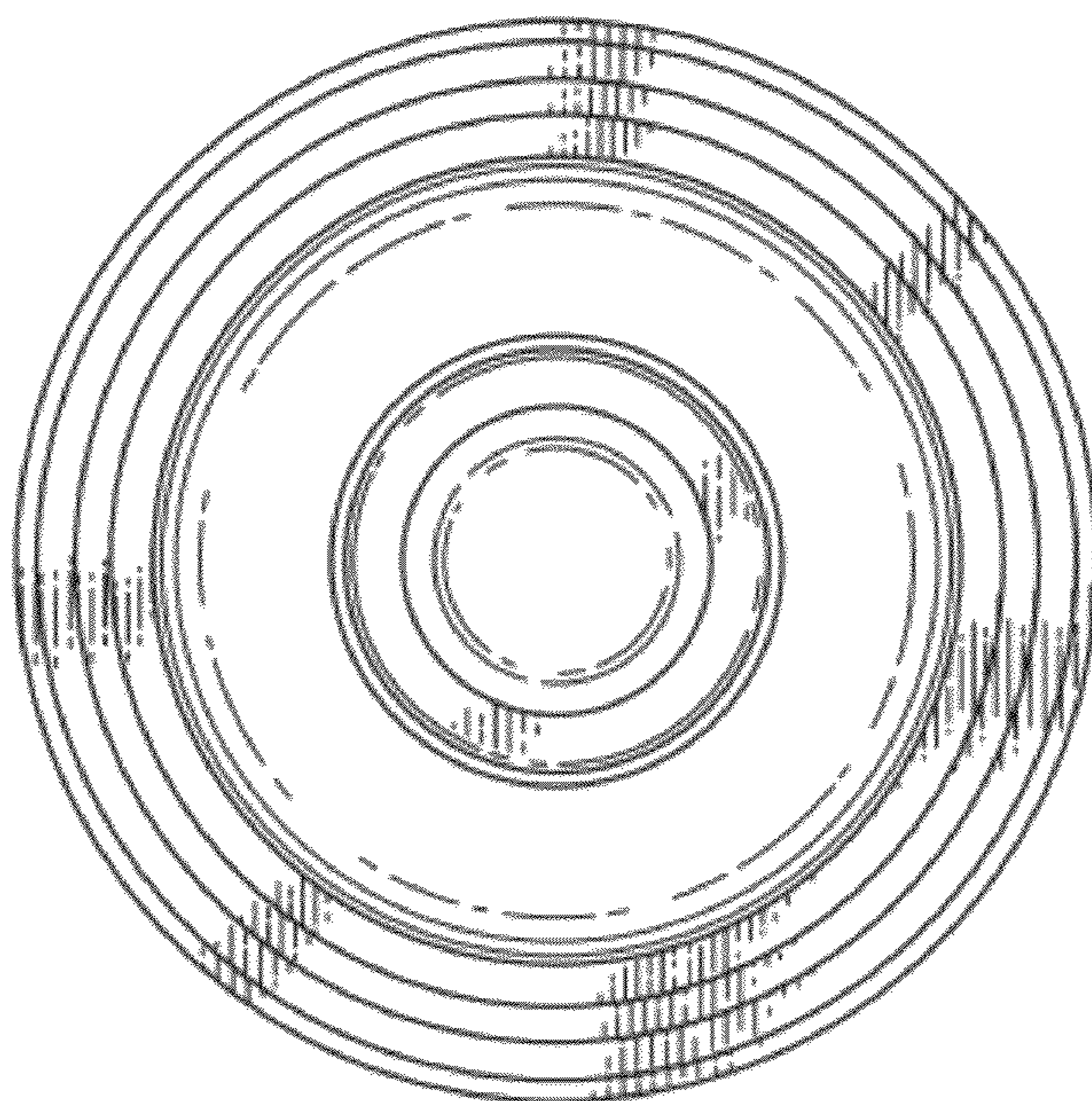


FIG. 4