

US00D665931S

(12) **United States Design Patent**
Peng

(10) **Patent No.:** **US D665,931 S**

(45) **Date of Patent:** **** Aug. 21, 2012**

(54) **LED BULB**

(75) Inventor: **Shih-Feng Peng**, Hsinchu (TW)

(73) Assignee: **Sumitronics Taiwan Co., Ltd.**, Hsinchu (TW)

(**) Term: **14 Years**

(21) Appl. No.: **29/402,289**

(22) Filed: **Sep. 22, 2011**

(51) **LOC (9) Cl.** **26-04**

(52) **U.S. Cl.** **D26/2**

(58) **Field of Classification Search** D26/1-4;
313/313, 315, 316, 317, 318, 493; 315/52,
315/53, 56, 57, 58

See application file for complete search history.

(56) **References Cited**

U.S. PATENT DOCUMENTS

D544,109 S * 6/2007 Tsuruha et al. D26/2
D558,904 S * 1/2008 Tsuruha et al. D26/2
D579,130 S * 10/2008 Hernandez et al. D26/2

D600,368 S * 9/2009 Bertram et al. D26/2
D610,272 S * 2/2010 Guo et al. D26/2
D610,273 S * 2/2010 Guo et al. D26/2
D650,925 S * 12/2011 Zhang D26/2

* cited by examiner

Primary Examiner — Marcus Jackson

(74) *Attorney, Agent, or Firm* — Rosenberg, Klein & Lee

(57) **CLAIM**

The ornamental design for a “LED bulb,” as shown and described.

DESCRIPTION

FIG. 1 is a perspective view of a “LED bulb” showing my new design;

FIG. 2 is a front view thereof;

FIG. 3 is a rear view thereof;

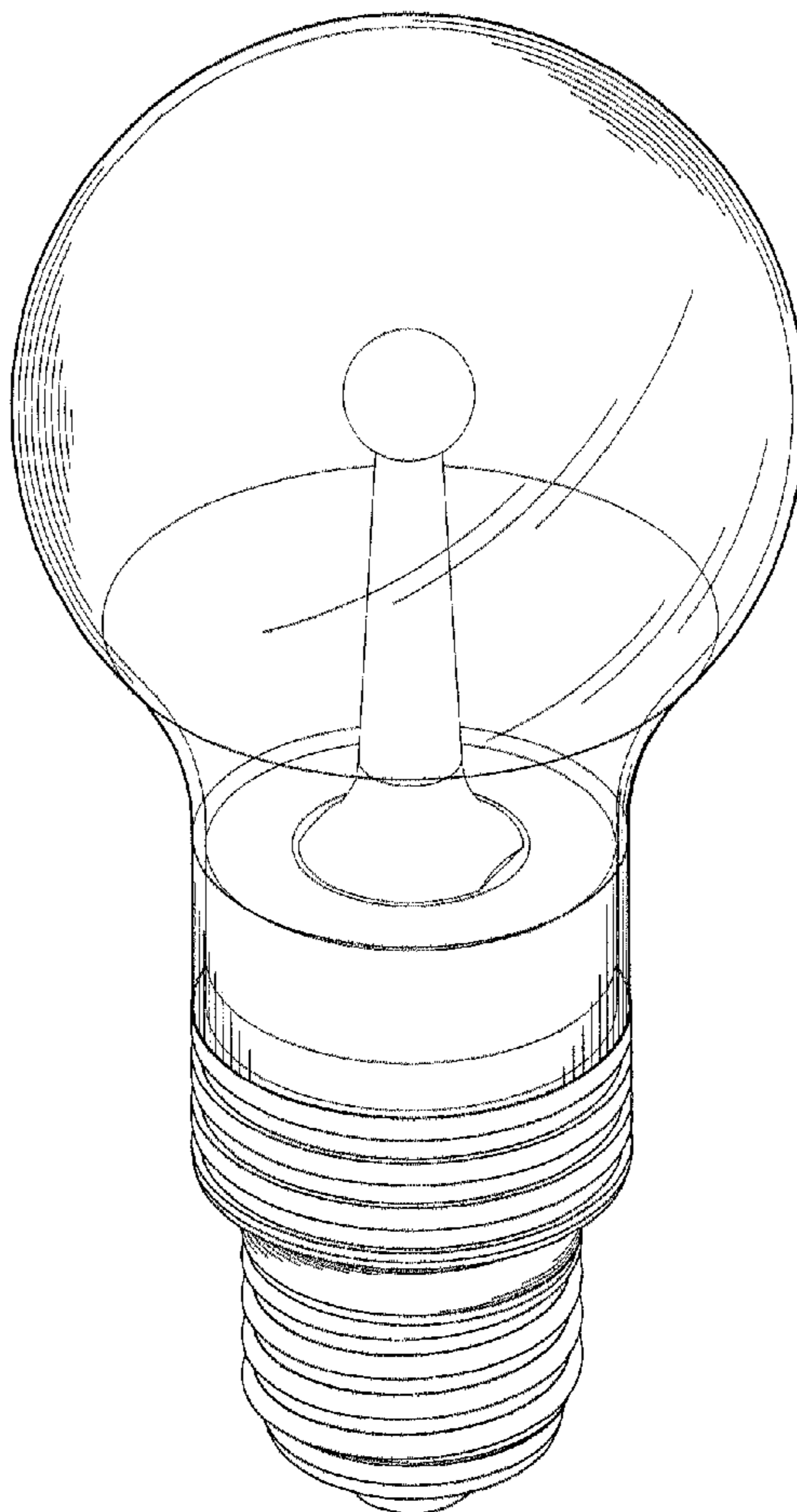
FIG. 4 is a left side view thereof;

FIG. 5 is a right side view thereof;

FIG. 6 is a top view thereof; and,

FIG. 7 is a bottom view thereof.

1 Claim, 6 Drawing Sheets



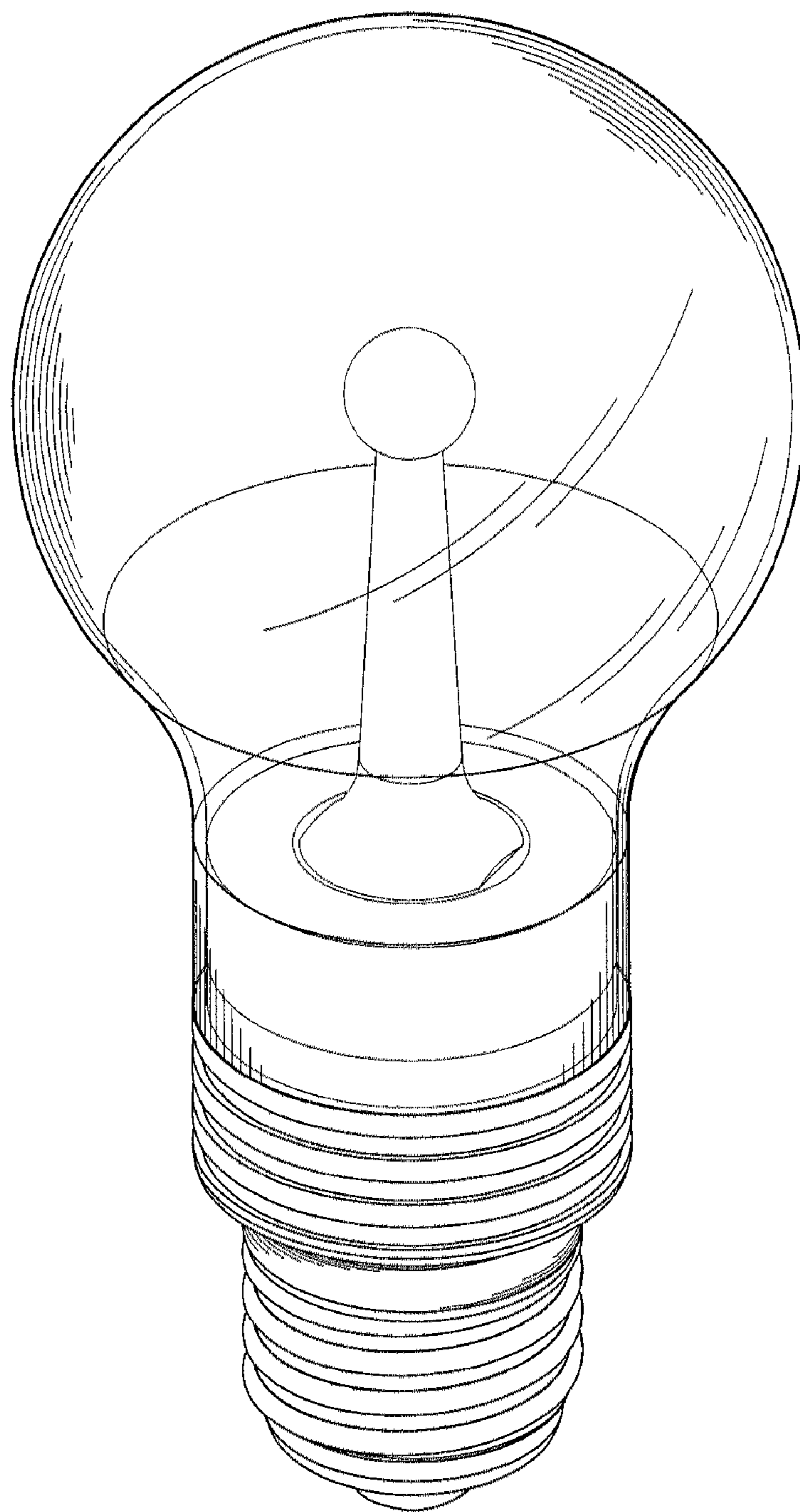


FIG. 1

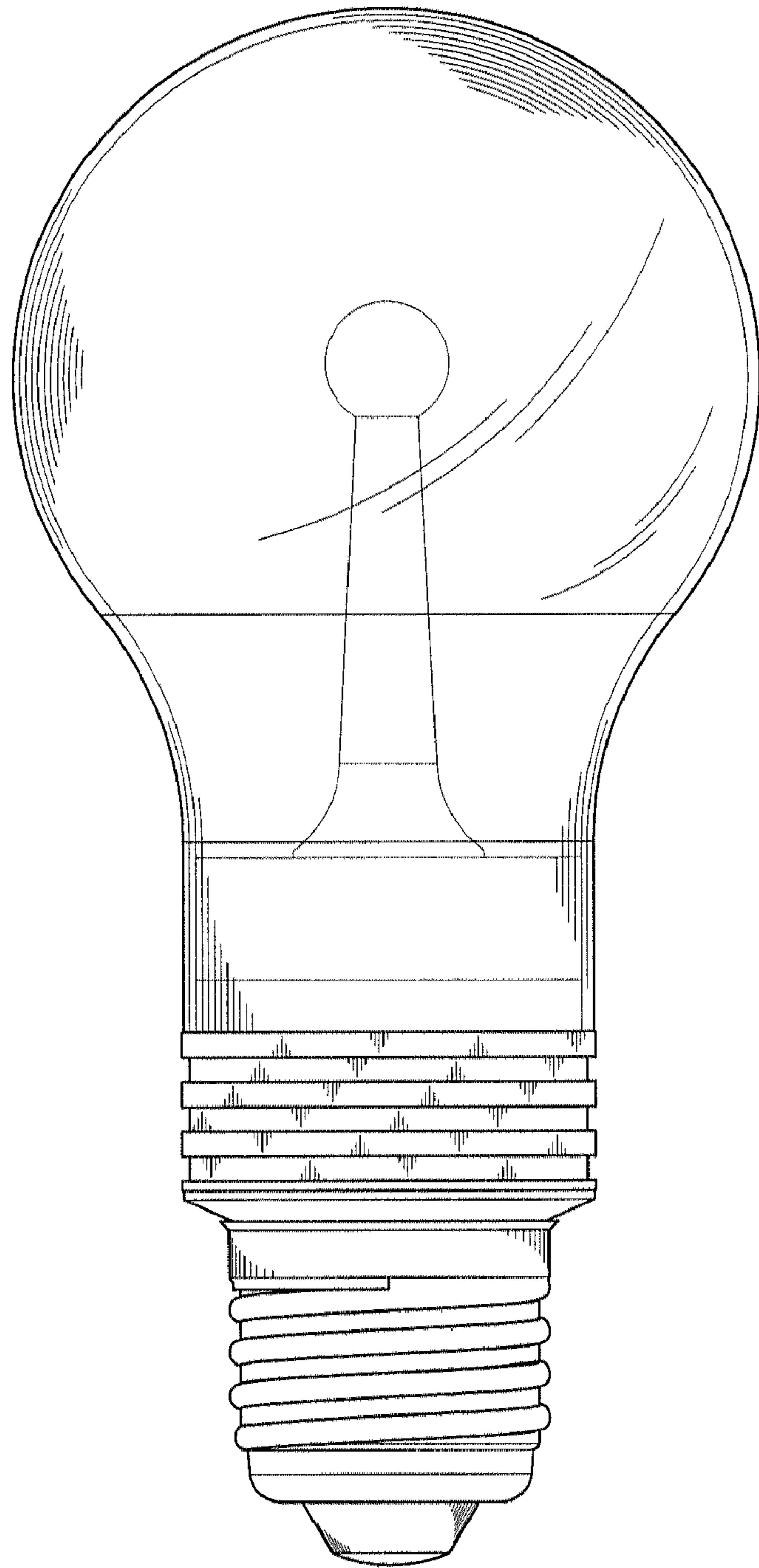


FIG. 2

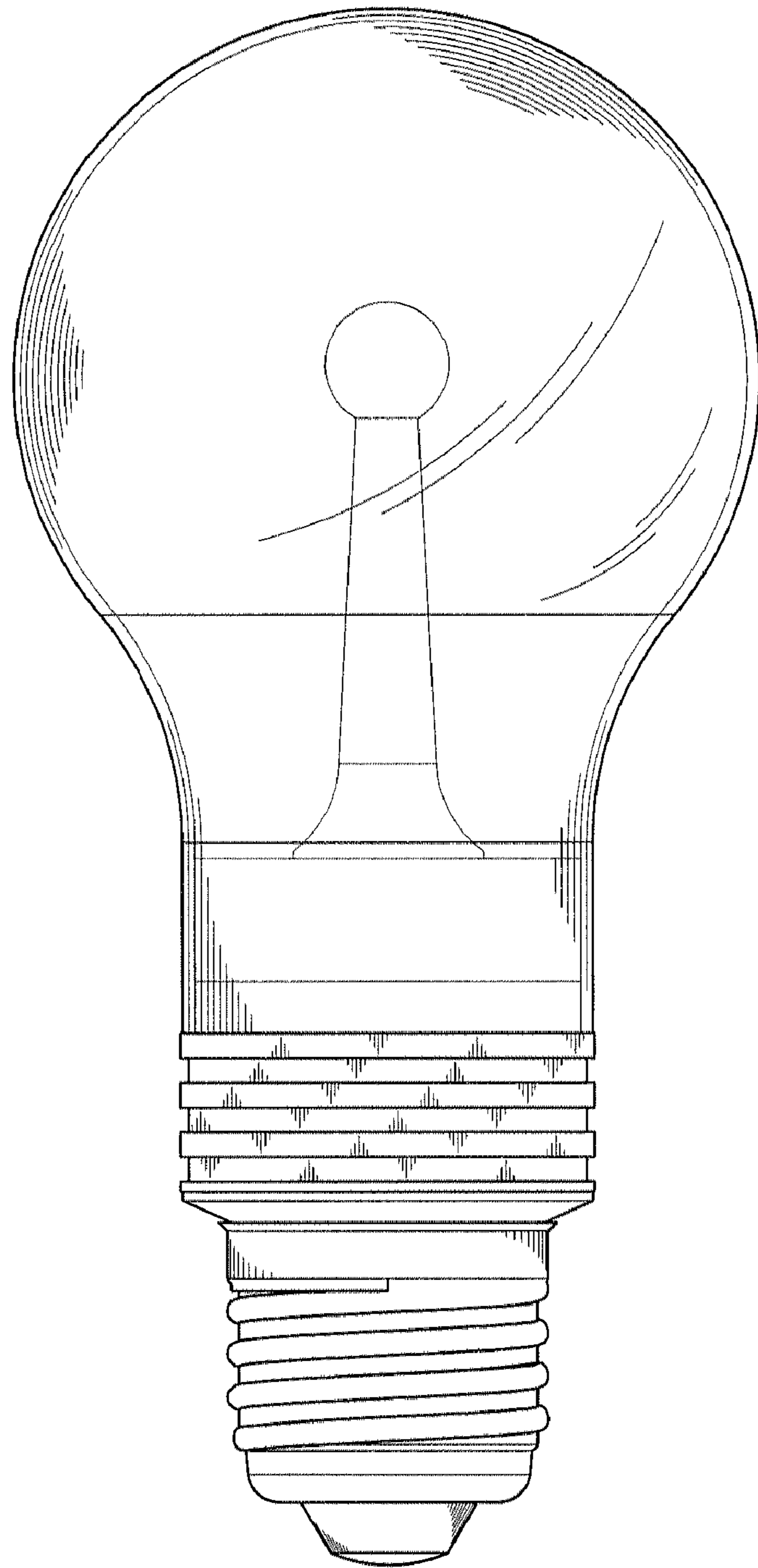


FIG. 3

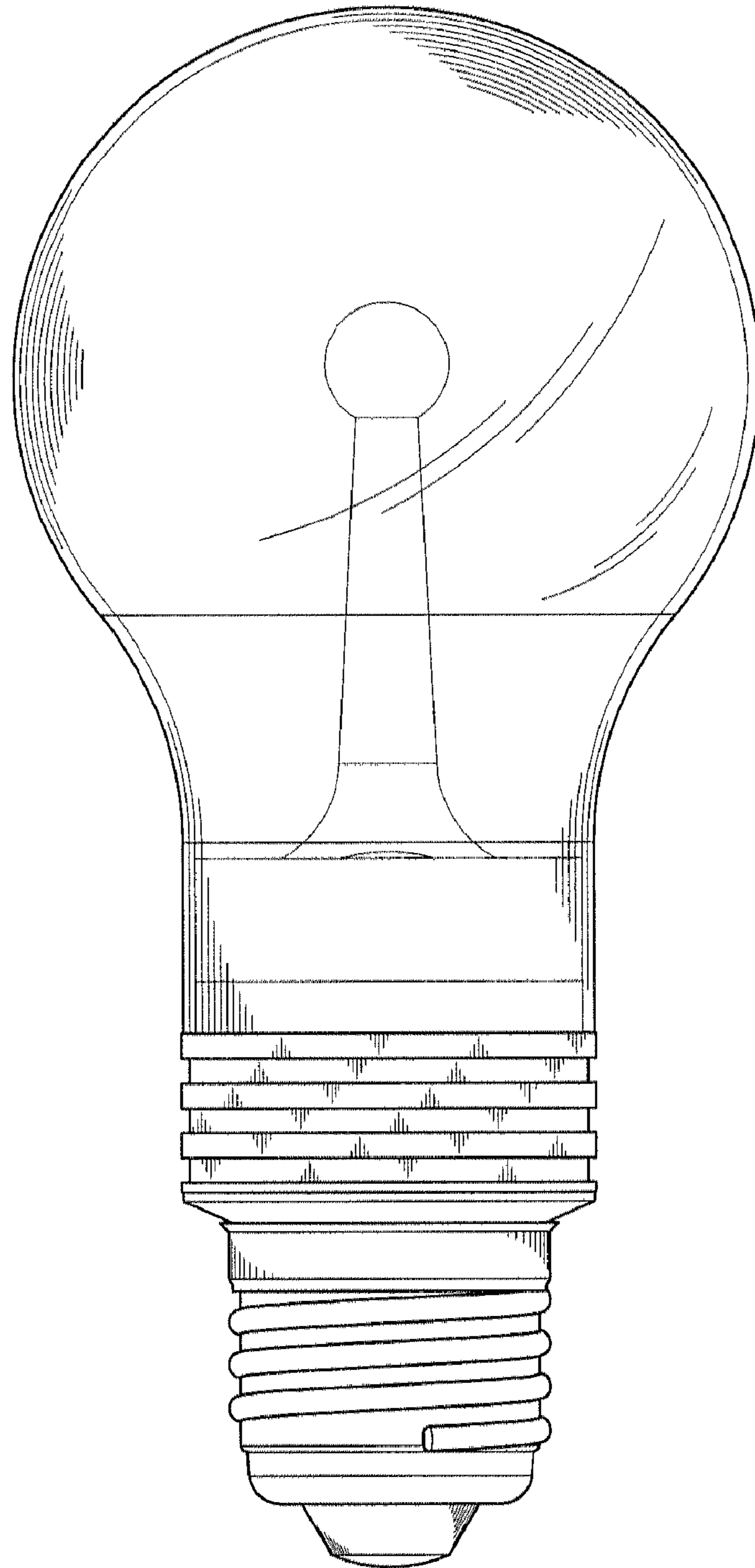


FIG. 4

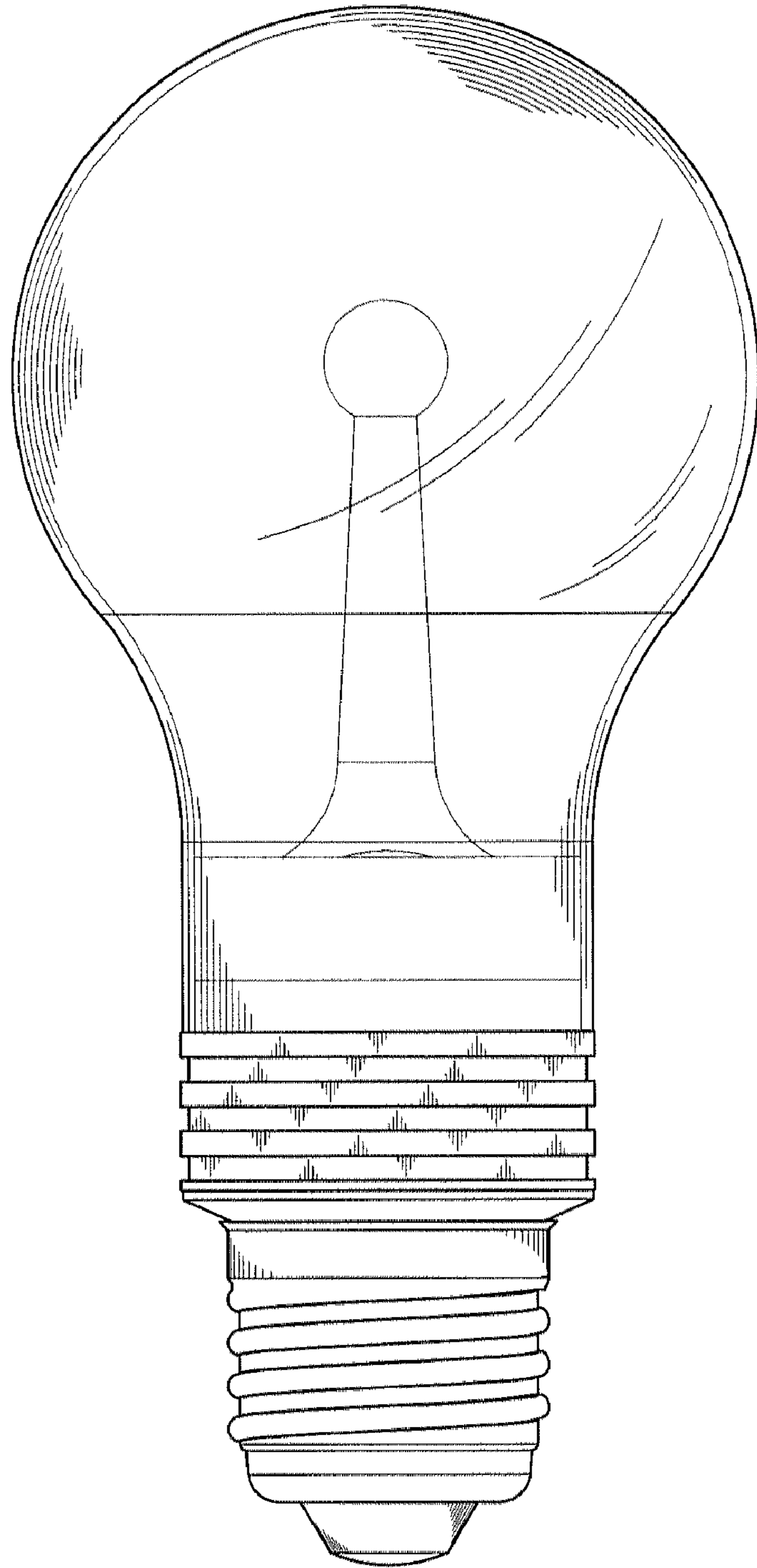


FIG. 5

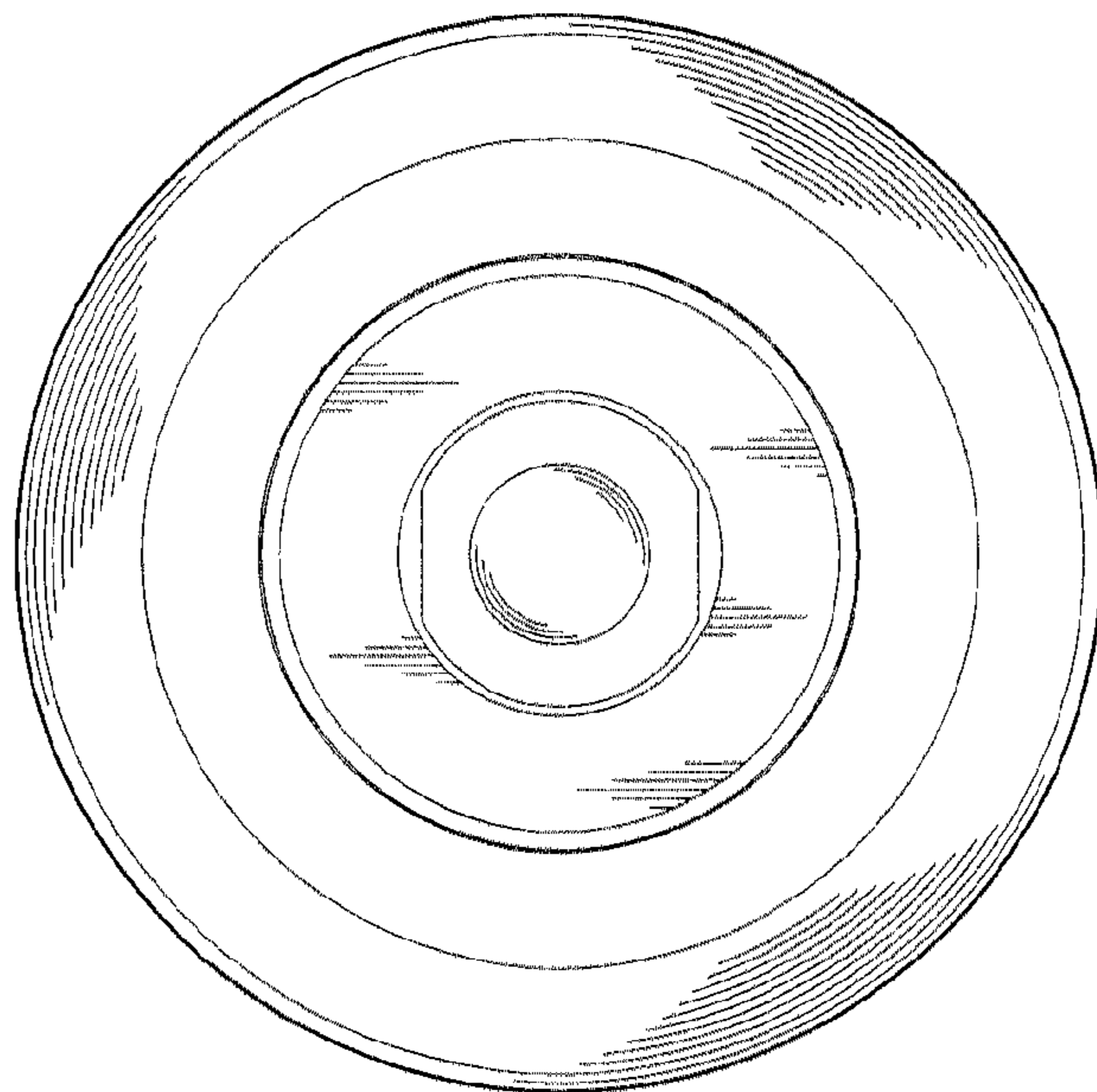


FIG. 6

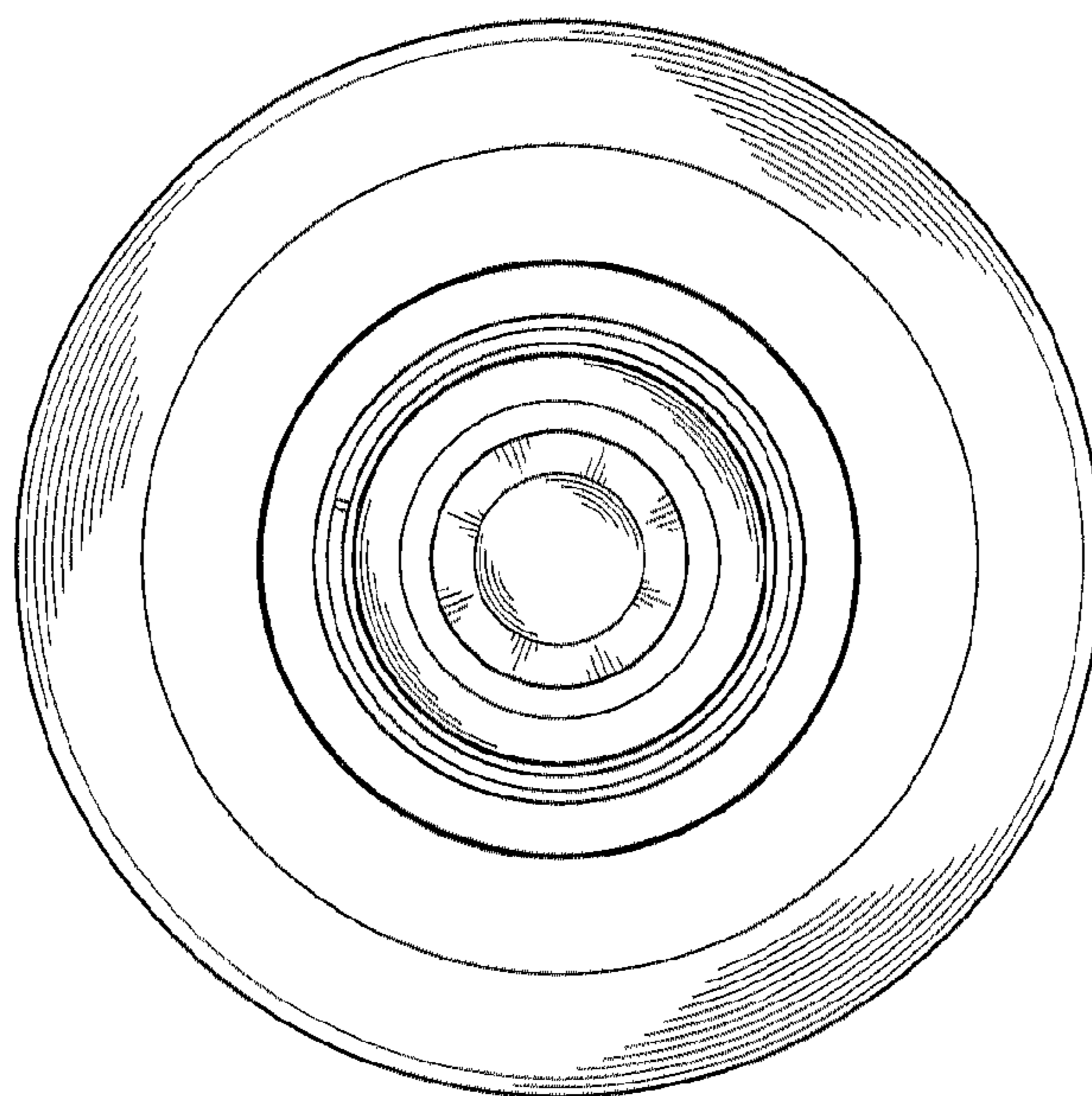


FIG. 7