



US00D665929S

(12) **United States Design Patent**  
**Kim et al.**

(10) **Patent No.:** **US D665,929 S**

(45) **Date of Patent:** **\*\* Aug. 21, 2012**

(54) **LED LAMP MODULE**

(75) Inventors: **Kwang Soo Kim**, Seoul (KR); **Bu Kwan Je**, Seoul (KR); **Ki Man Park**, Seoul (KR); **Young Ho Shin**, Seoul (KR); **Ye Seul Yang**, Seoul (KR); **Ji Hoo Kim**, Seoul (KR)

(73) Assignee: **LG Innotek Co., Ltd.**, Seoul (KR)

(\*\*) Term: **14 Years**

(21) Appl. No.: **29/400,197**

(22) Filed: **Aug. 24, 2011**

(30) **Foreign Application Priority Data**

Feb. 25, 2011 (KR) ..... 30-2011-0007579

(51) **LOC (9) Cl.** ..... **26-04**

(52) **U.S. Cl.** ..... **D26/1**

(58) **Field of Classification Search** ..... D26/1-4;  
313/313, 315, 316, 317, 318, 493; 315/52,  
315/53, 56, 57, 58

See application file for complete search history.

(56) **References Cited**

**U.S. PATENT DOCUMENTS**

D260,398 S \* 8/1981 Schindler et al. .... D26/1  
D291,322 S \* 8/1987 Brower et al. .... D26/1  
D334,990 S \* 4/1993 Sekiguchi et al. .... D26/1

D508,574 S \* 8/2005 Janssen ..... D26/1  
D509,309 S \* 9/2005 Janssen ..... D26/1  
D535,037 S \* 1/2007 Kim et al. .... D26/1

\* cited by examiner

*Primary Examiner* — Marcus Jackson

(74) *Attorney, Agent, or Firm* — Lowe Hauptman Ham & Berner, LLP

(57) **CLAIM**

The ornamental design for a LED lamp module, as shown and described.

**DESCRIPTION**

FIG. 1 is a perspective view of a LED lamp module showing my/our new design;

FIG. 2 is a front elevational view thereof, the rear side being a mirror image;

FIG. 3 is a left side elevational view thereof, the right side being a mirror image;

FIG. 4 is a top plan view thereof;

FIG. 5 is a bottom plan view thereof;

FIG. 6 is an alternate perspective view as seen from the bottom when the LED lamp module is disassembled from unclaimed subject matter for the purpose of illustrating the environment in which the article embodying the design is used; and,

FIG. 7 is the other reference view similar to FIG. 1, showing the LED lamp module in use with the light emitting part hatched with diagonal lines.

**1 Claim, 4 Drawing Sheets**

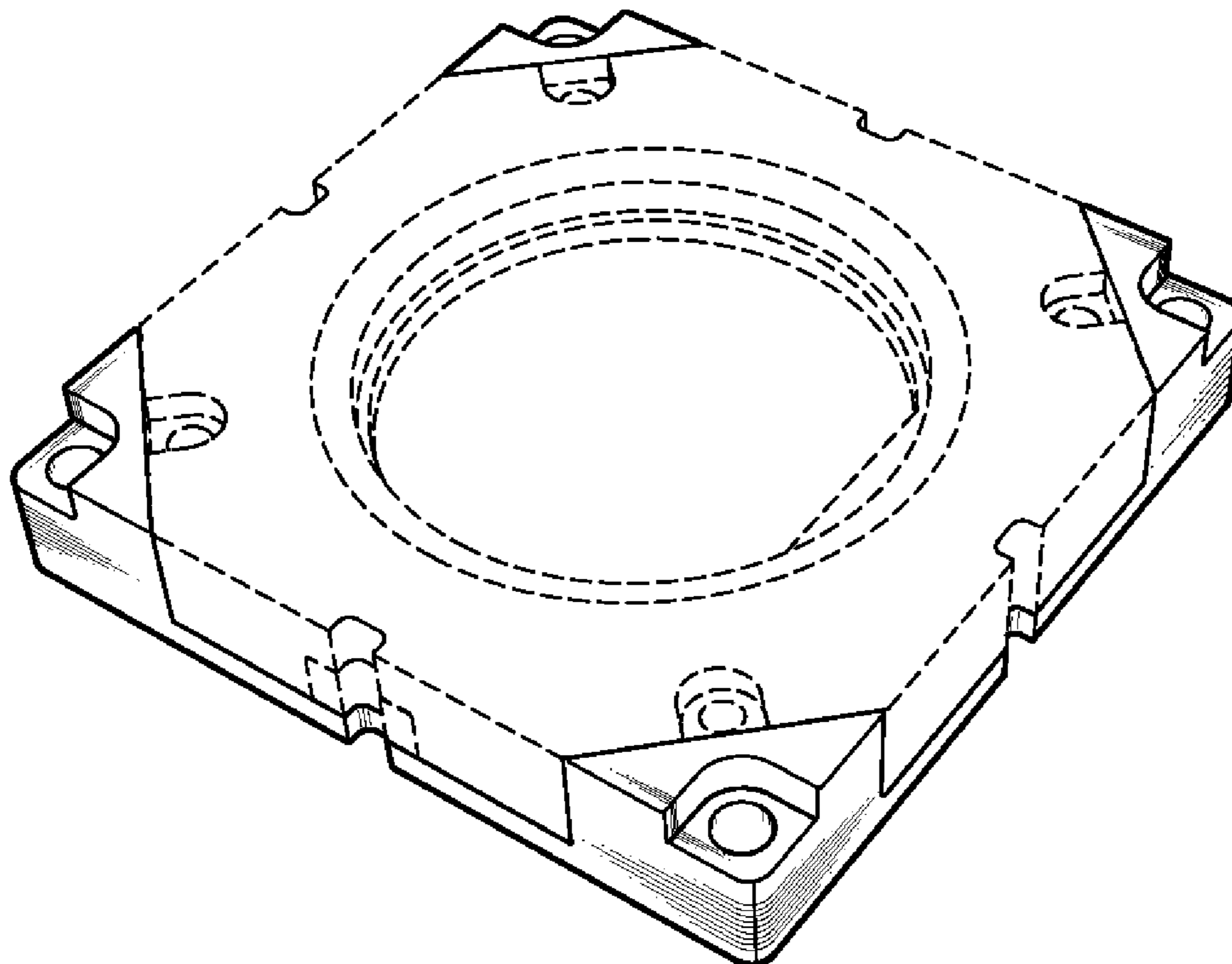


FIG. 1

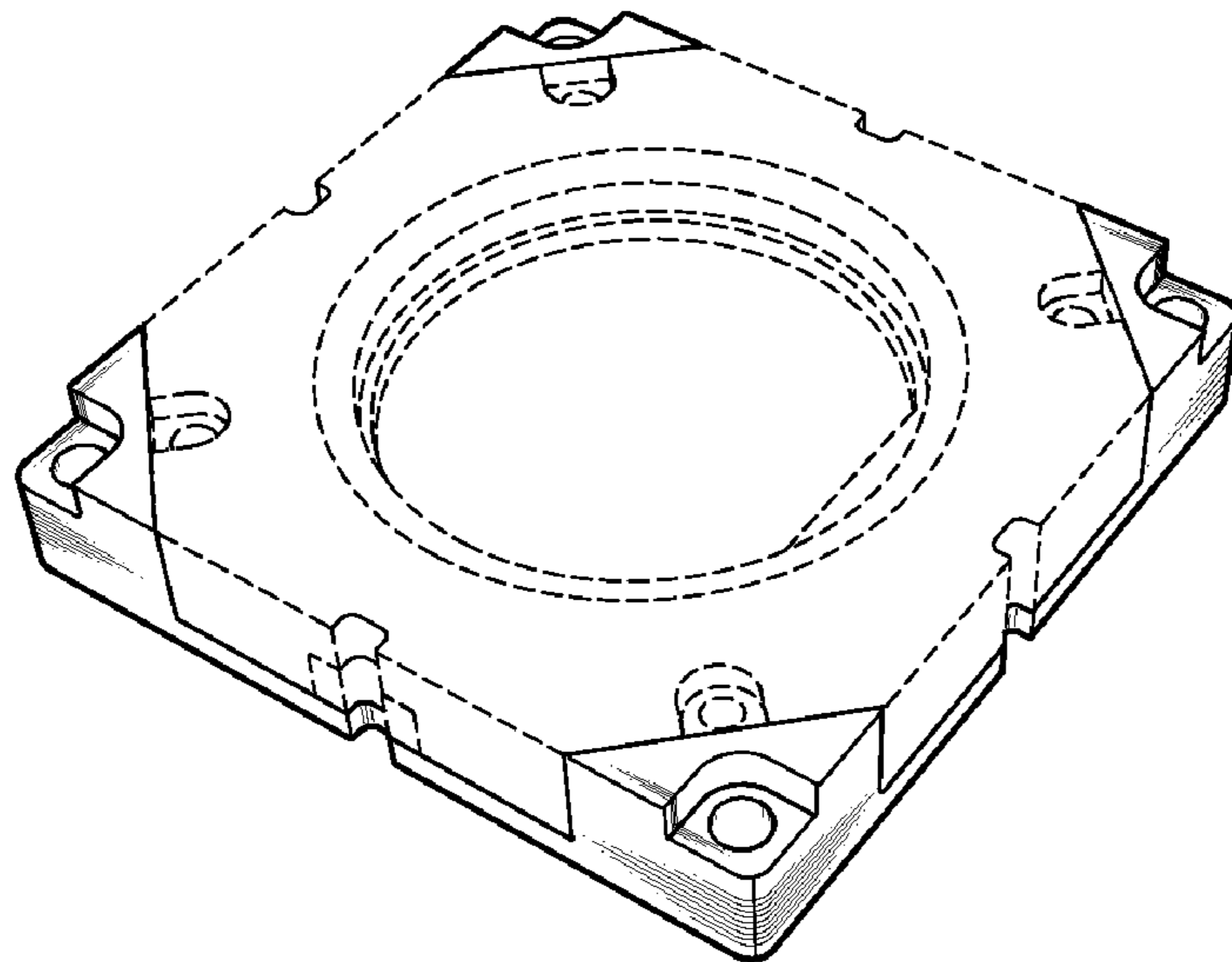


FIG. 2

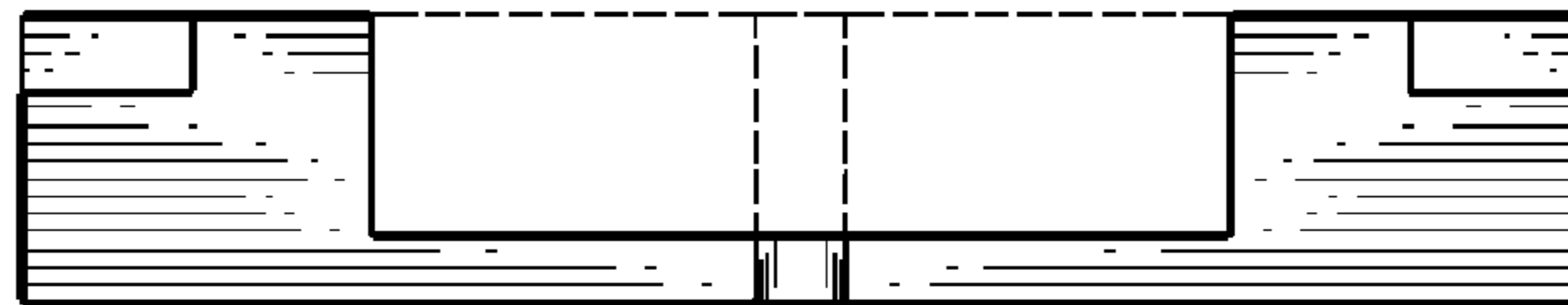


FIG. 3

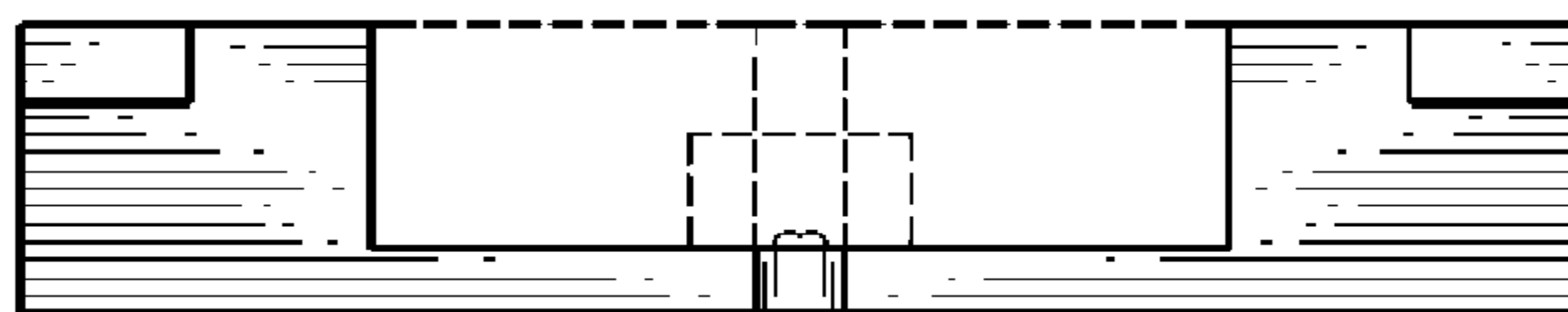


FIG. 4

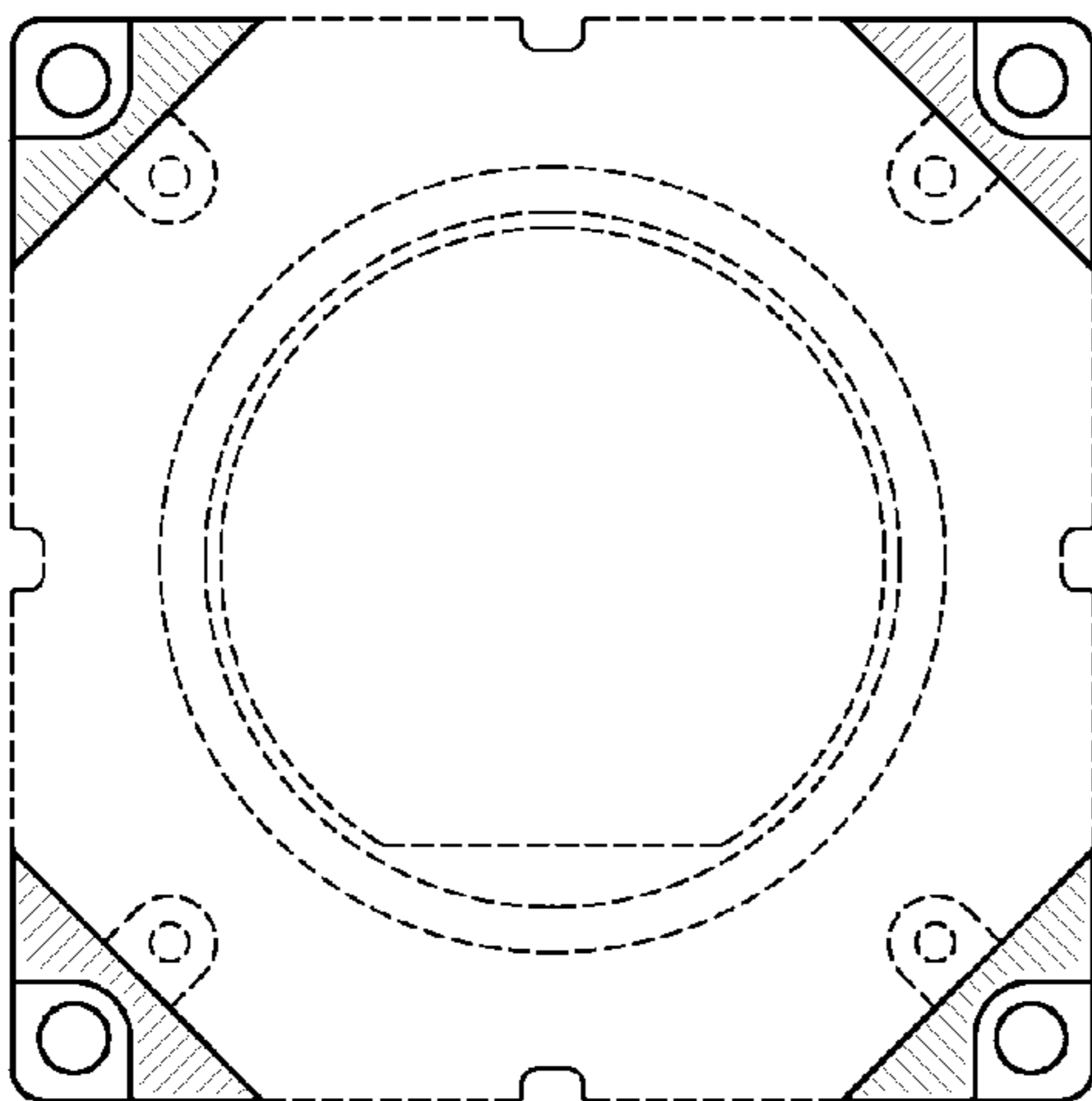


FIG. 5

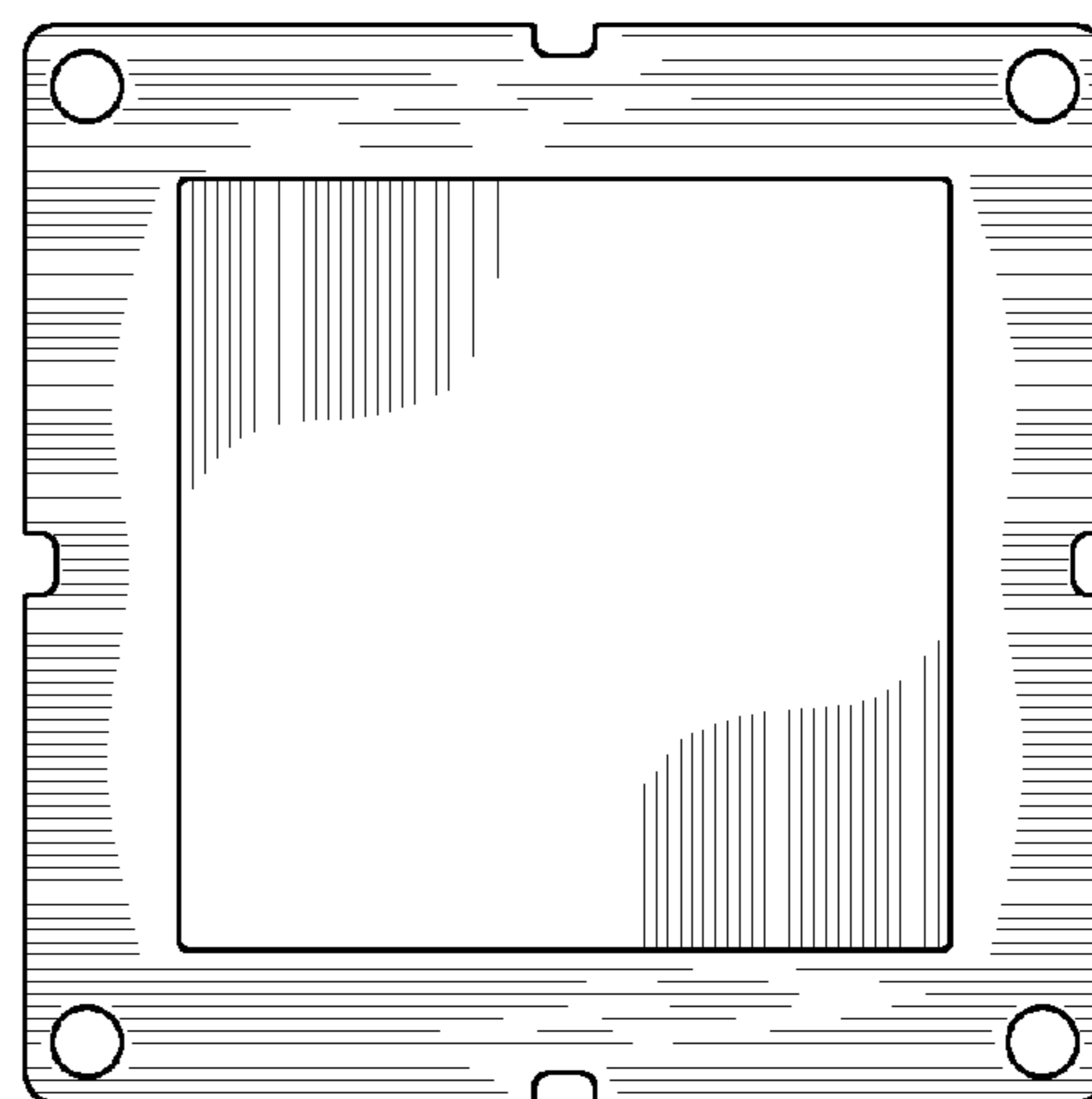


FIG. 6

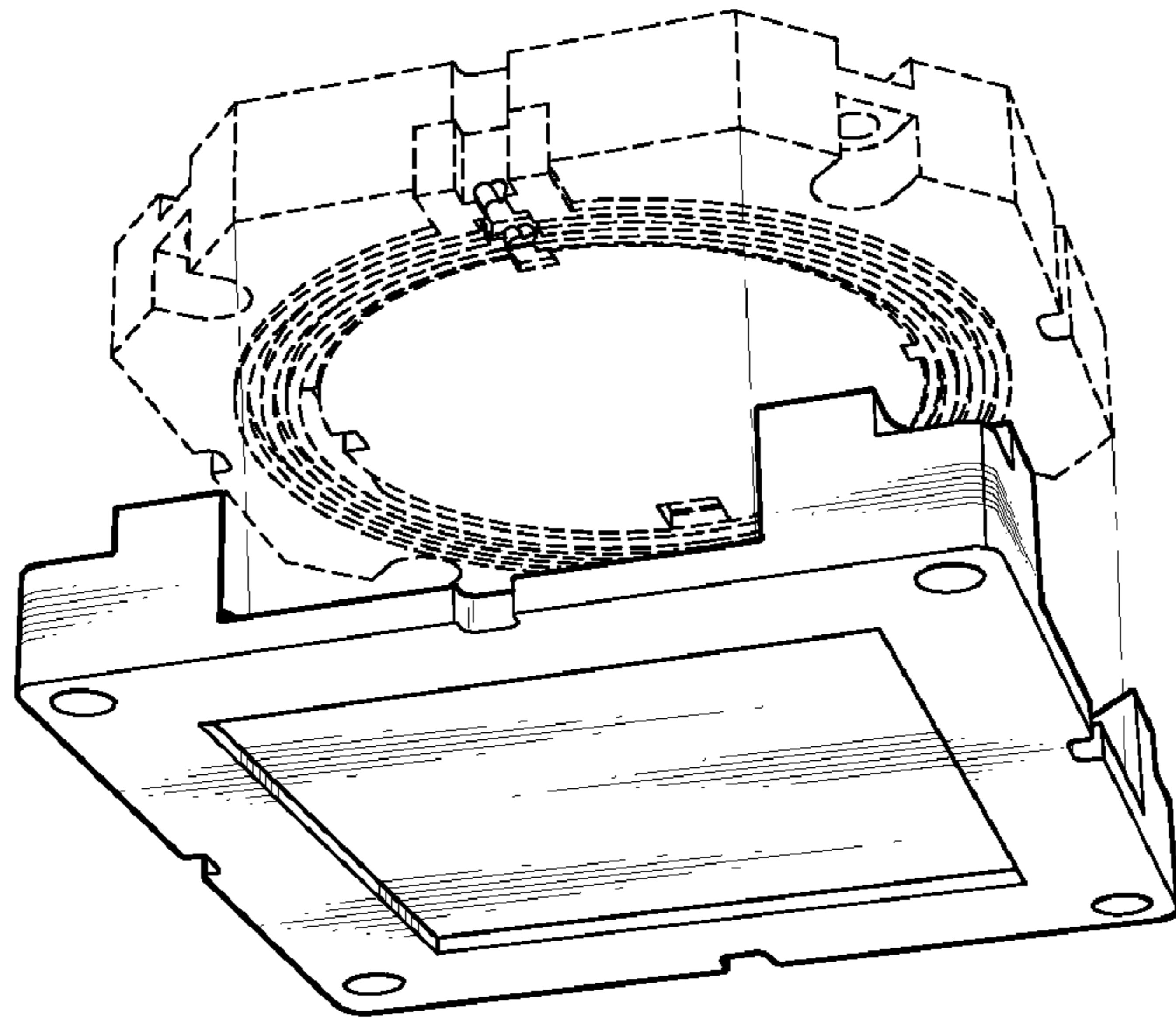


FIG. 7

