



US00D665927S

(12) **United States Design Patent**
Kieffer et al.

(10) **Patent No.:** **US D665,927 S**

(45) **Date of Patent:** **** *Aug. 21, 2012**

(54) **METAL AND WOOD STEP LADDER**

(75) Inventors: **Mitchell I. Kieffer**, Minneapolis, MN
(US); **J. Patrick McCool**, Brooklyn, NY
(US)

(73) Assignee: **Core Distribution, Inc.**, Minneapolis,
MN (US)

(*) Notice: This patent is subject to a terminal dis-
claimer.

(**) Term: **14 Years**

(21) Appl. No.: **29/401,036**

(22) Filed: **Sep. 6, 2011**

(51) **LOC (9) Cl.** **25-04**

(52) **U.S. Cl.** **D25/65**

(58) **Field of Classification Search** D25/63,
D25/64, 65; 182/159, 152, 163, 156, 179.1,
182/180.1, 194

See application file for complete search history.

(56) **References Cited**

U.S. PATENT DOCUMENTS

4,421,206 A * 12/1983 Kummerlin 182/156
6,347,687 B1 * 2/2002 Alim 182/161
D455,842 S * 4/2002 Rosko D25/65

* cited by examiner

Primary Examiner — Doris Clark

(74) *Attorney, Agent, or Firm* — Fredrikson & Byron, P.A.

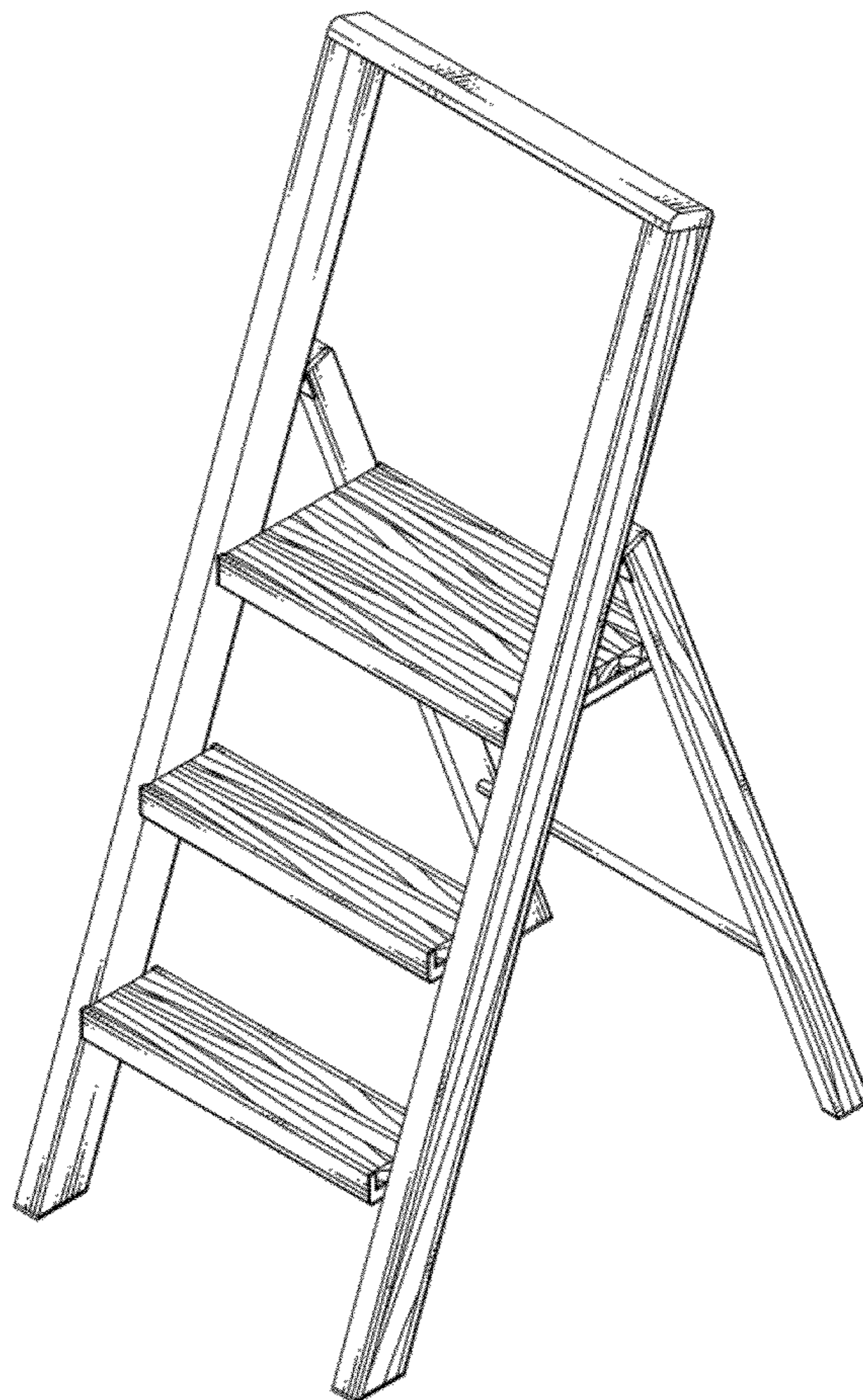
(57) **CLAIM**

We claim the ornamental design for a metal and wood step
ladder, as shown and described.

DESCRIPTION

FIG. 1 is a front perspective view of the metal and wood step
ladder of our design shown;
FIG. 2 is a right-side elevation view thereof, the left-side
elevation view being a mirror image thereof;
FIG. 3 is a rear elevational view thereof;
FIG. 4 is a front elevational view thereof;
FIG. 5 is a top plan view thereof; and,
FIG. 6 is a bottom plan view thereof.
Where included, broken lines showing environment or struc-
ture are for illustrative purposes only and form no part of the
claimed design.

1 Claim, 5 Drawing Sheets



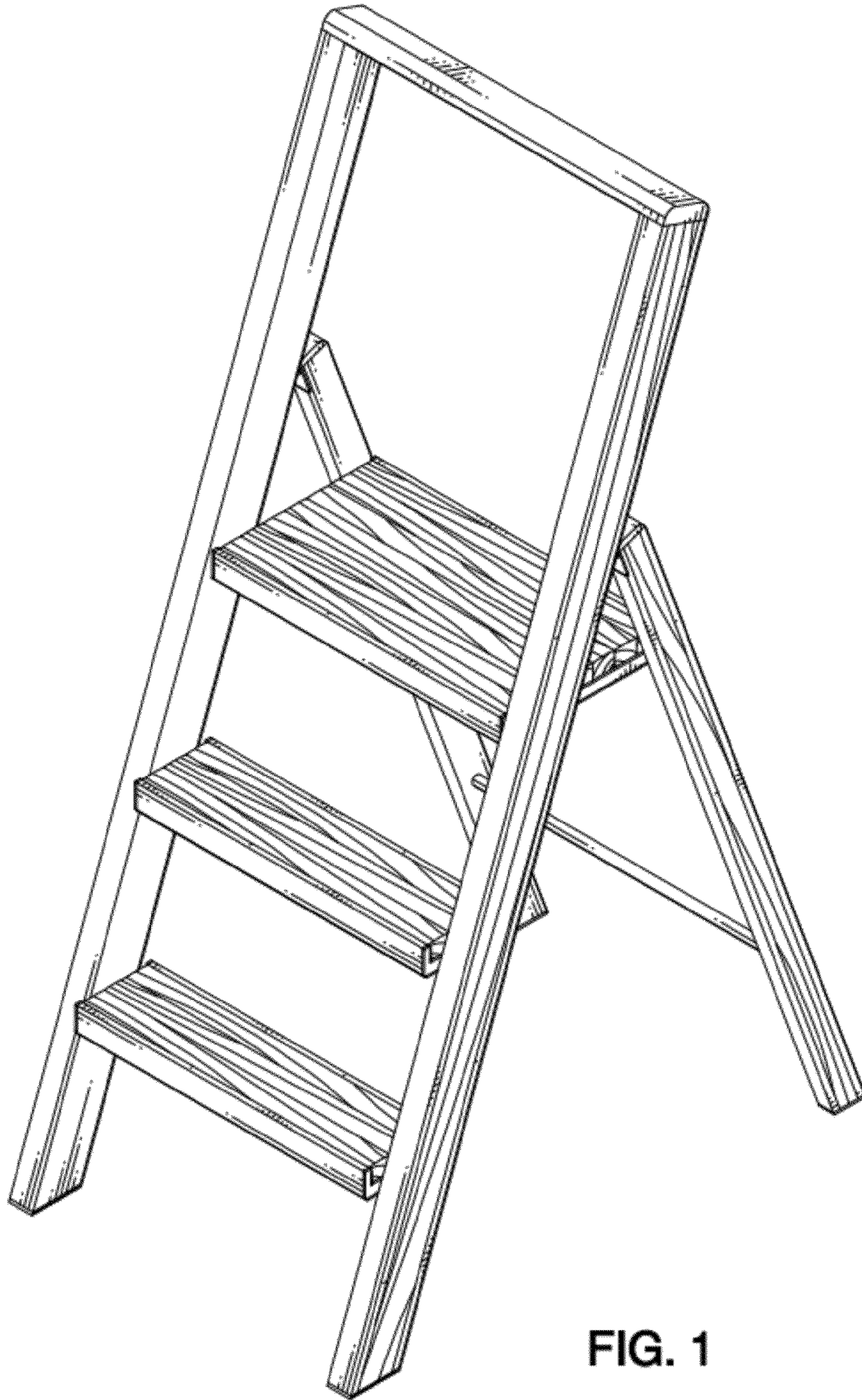


FIG. 1

FIG. 2

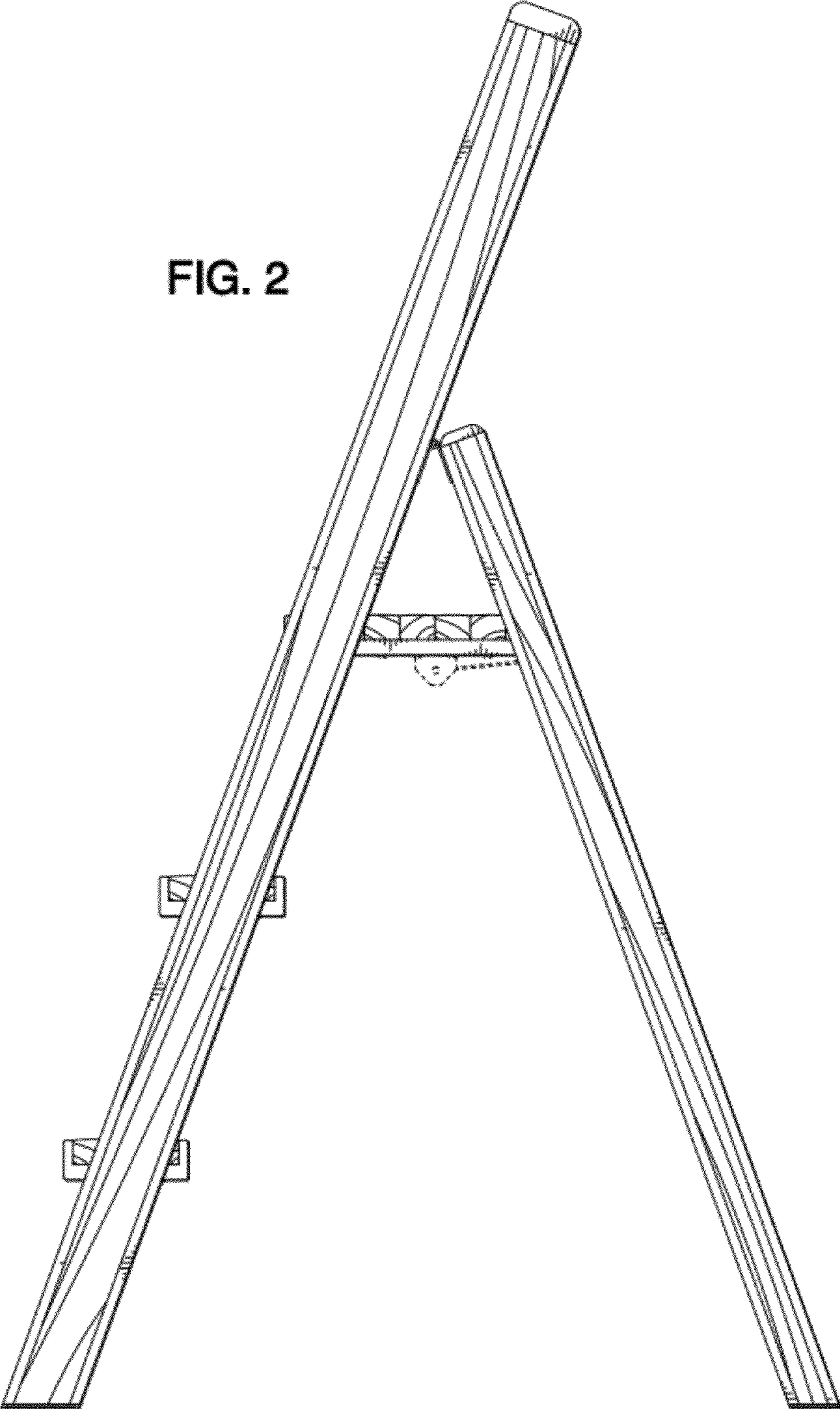


FIG. 3

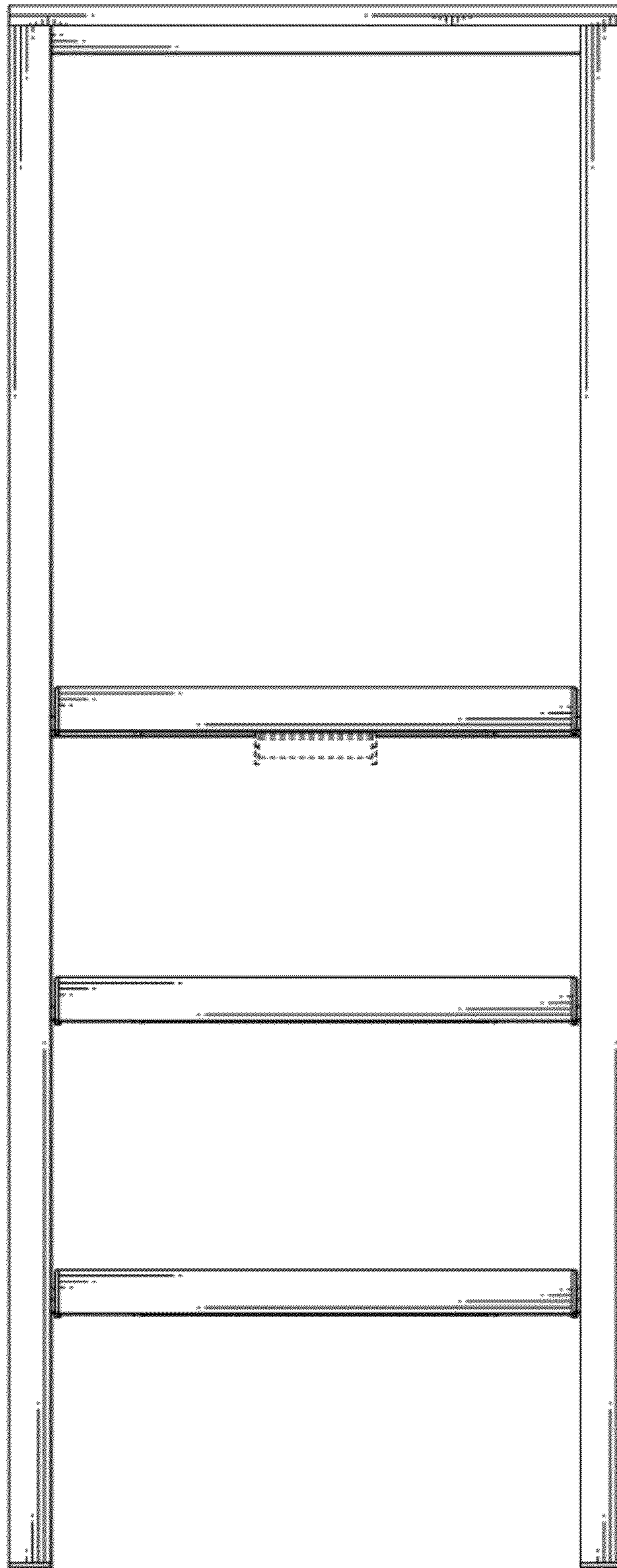
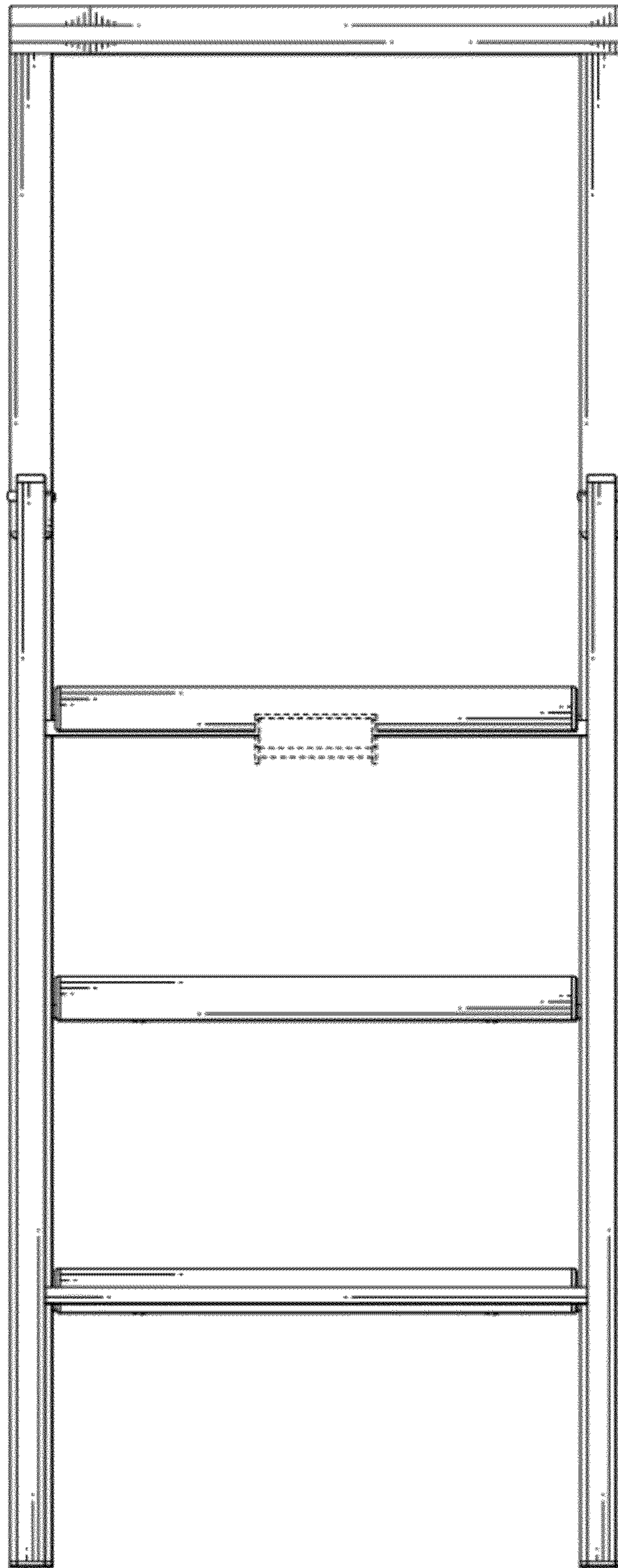


FIG. 4



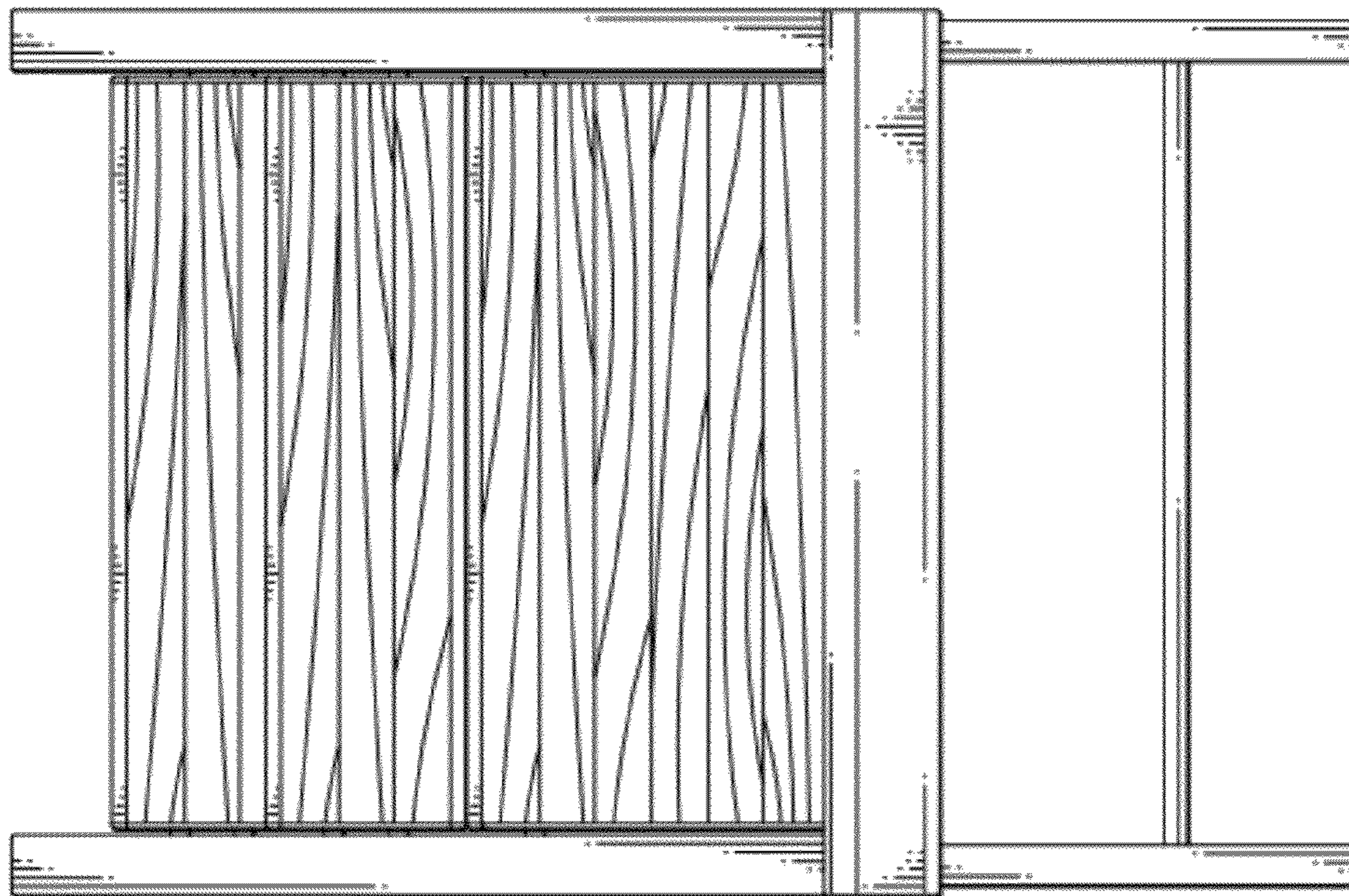


FIG. 5

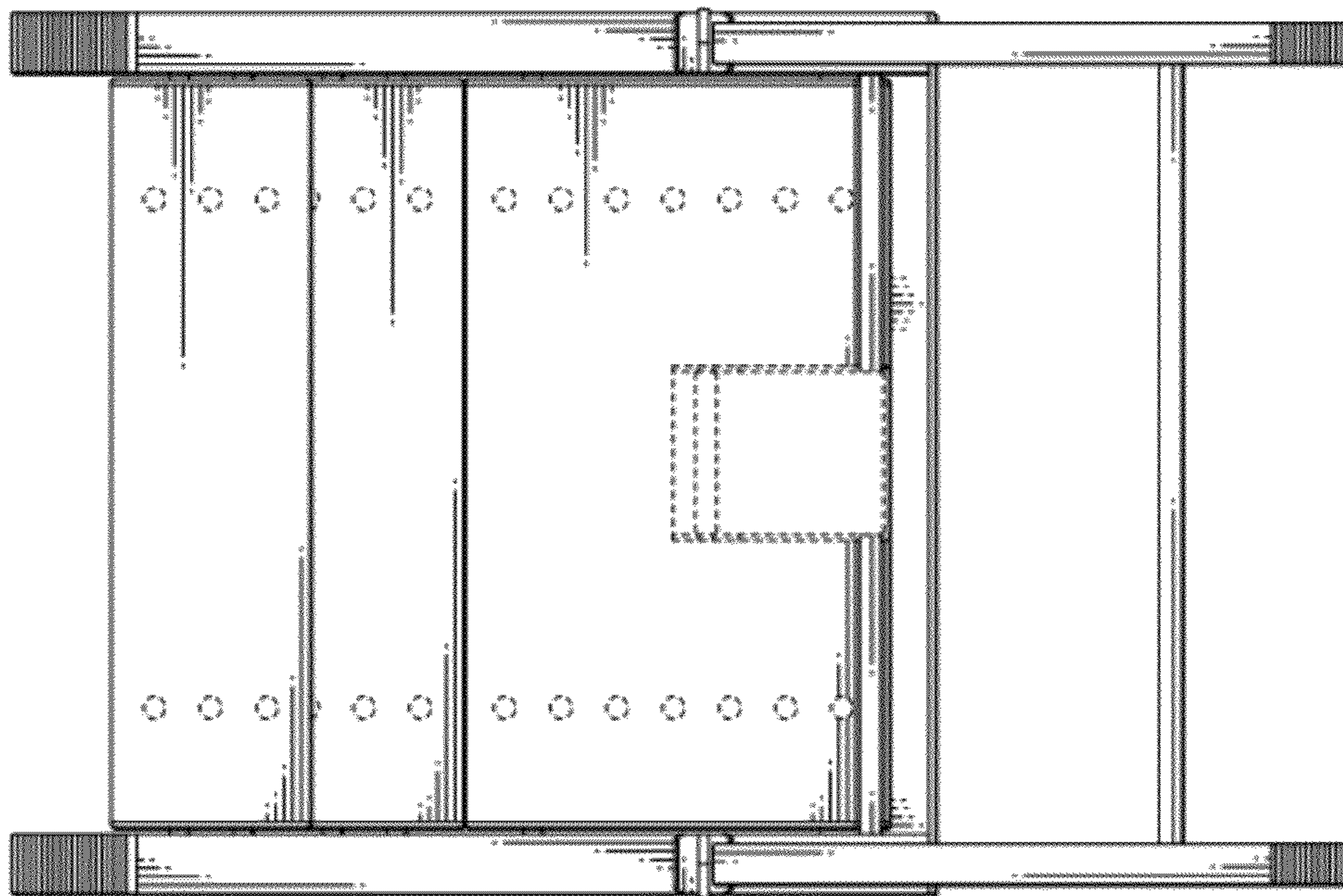


FIG. 6