

US00D665920S

(12) **United States Design Patent**  
**Glaser**

(10) **Patent No.:** **US D665,920 S**

(45) **Date of Patent:** **\*\* \*Aug. 21, 2012**

(54) **PEDESTRIAN CONTROL BARRIER**

(74) *Attorney, Agent, or Firm* — Dennison, Schultz & MacDonald

(76) Inventor: **Mark Glaser**, Denver, CO (US)

(\*) Notice: This patent is subject to a terminal disclaimer.

(57) **CLAIM**  
The ornamental design for a pedestrian control barrier, as shown.

(\*\*) Term: **14 Years**

(21) Appl. No.: **29/374,711**

**DESCRIPTION**

(22) Filed: **Sep. 23, 2011**

(51) **LOC (9) Cl.** ..... **25-01**

(52) **U.S. Cl.** ..... **D25/48.5**

(58) **Field of Classification Search** ..... D25/38,  
D25/48.5; 256/73, 24–25; D6/332  
See application file for complete search history.

FIG. 1 is top left perspective view of the pedestrian control barrier module connected to similar adjacent modules and showing my new design;

FIG. 2 is top right perspective view of a single pedestrian control module;

FIG. 3 is a front plan view thereof;

FIG. 4 is a top plan view thereof;

FIG. 5 is a side end elevation taken from the left in FIG. 3;

FIG. 6 is a side end elevation taken from the right in FIG. 3; and,

FIG. 7 is bottom plan view.

The broken line showing similar adjacent barriers in FIG. 1 is included for the purpose of illustrating a portion of the barrier that forms no part of the claimed design.

(56) **References Cited**

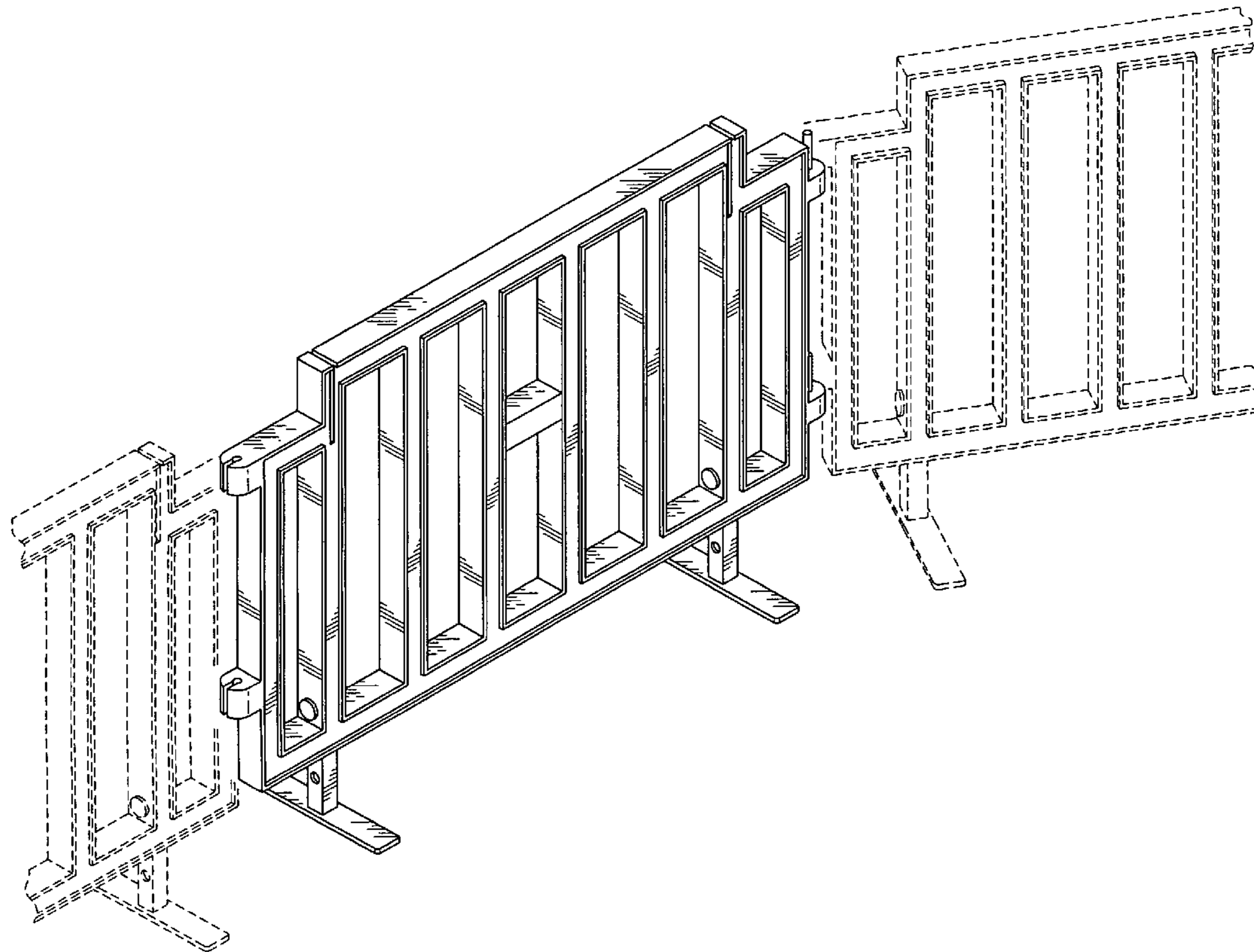
U.S. PATENT DOCUMENTS

D214,782 S \* 7/1969 Thom ..... D25/44  
D599,488 S \* 9/2009 Christensen et al. .... D25/48.5

\* cited by examiner

*Primary Examiner* — Robert Delehanty

**1 Claim, 4 Drawing Sheets**



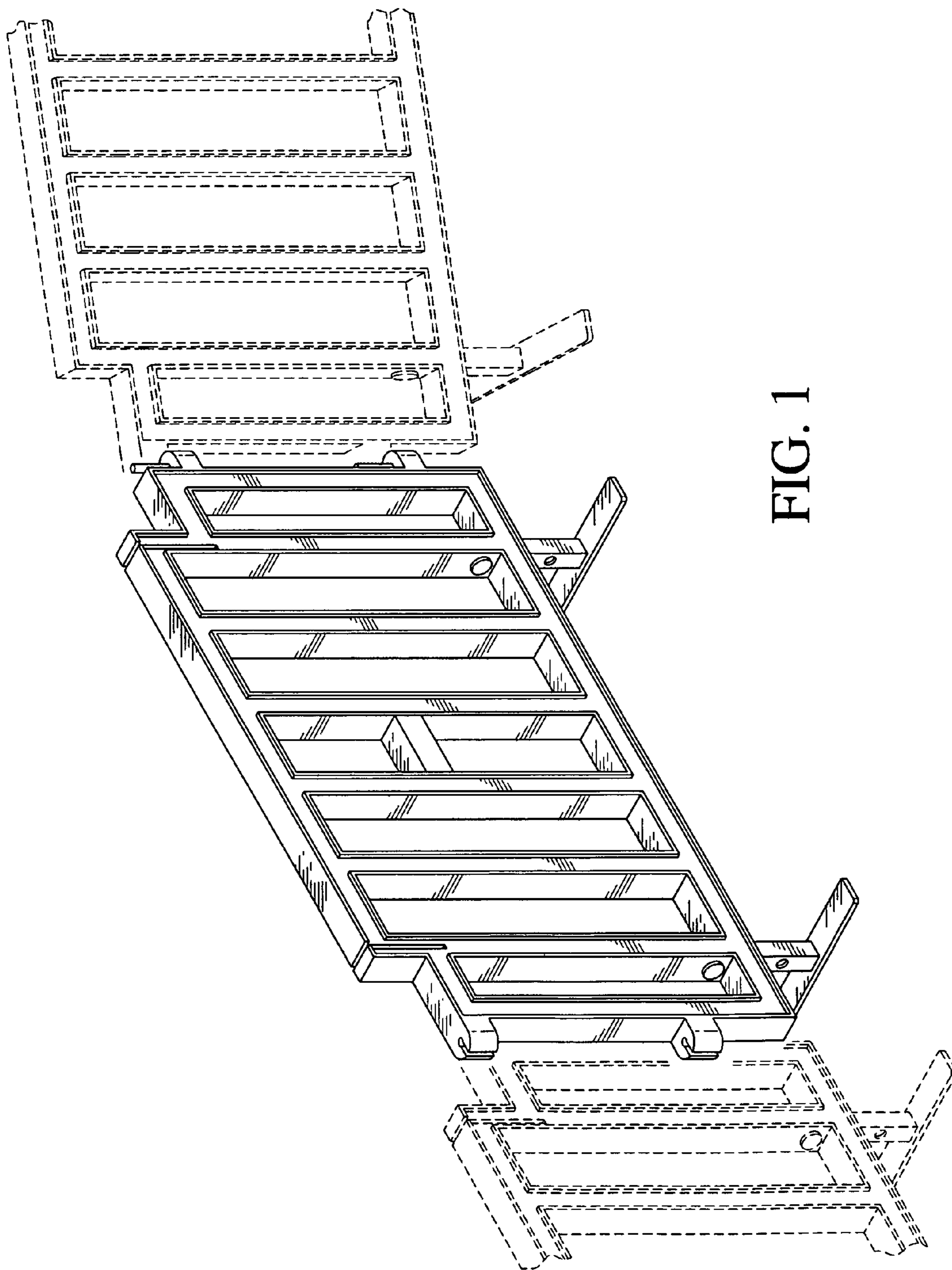


FIG. 1

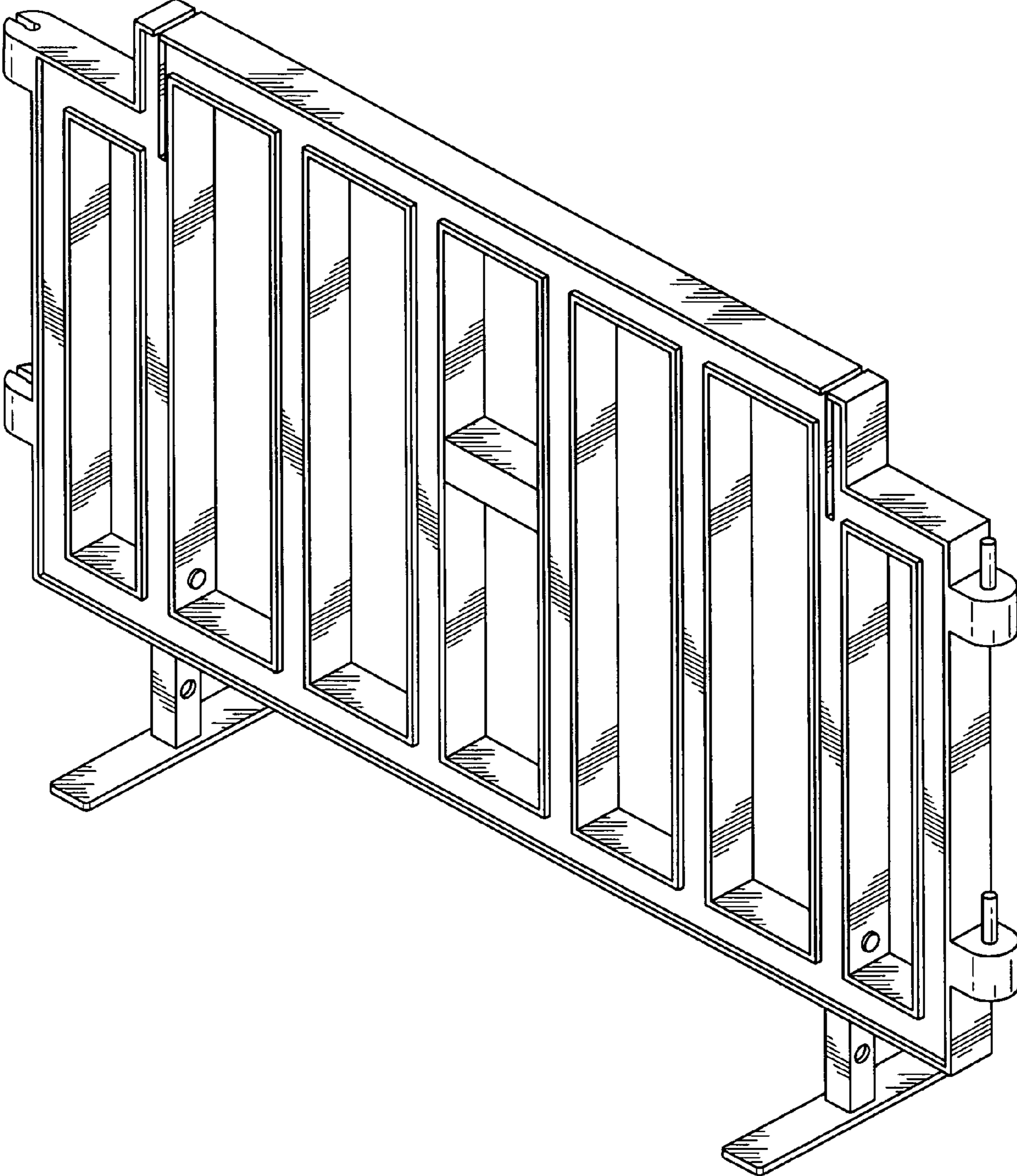


FIG. 2

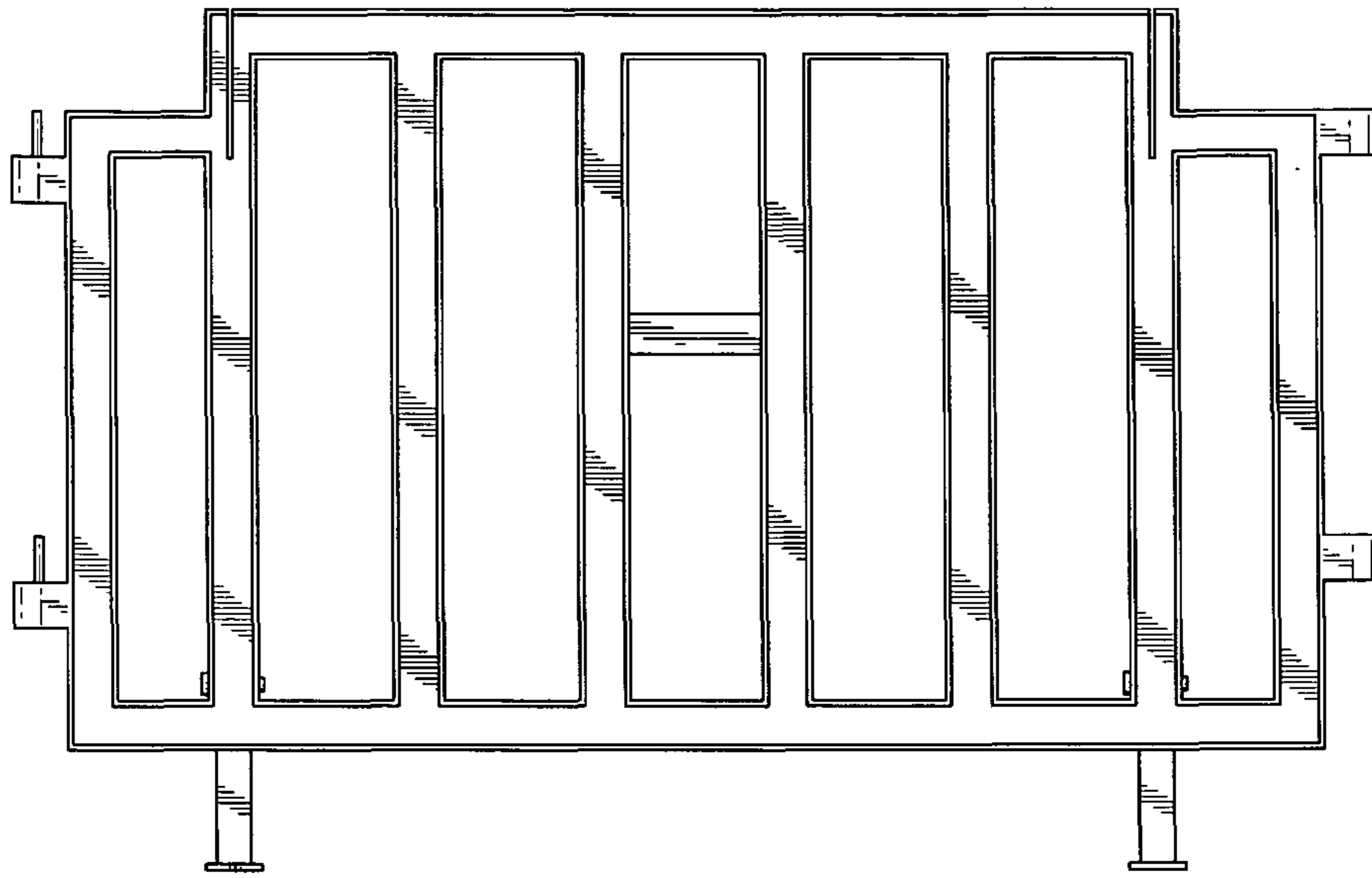


FIG. 3

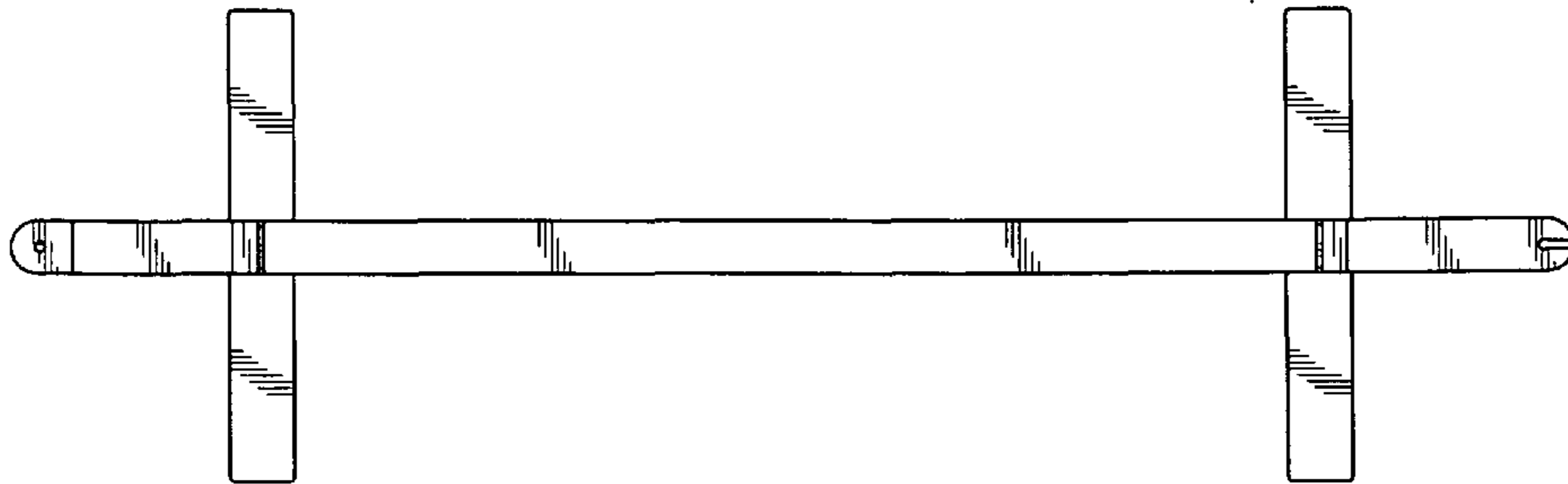


FIG. 4

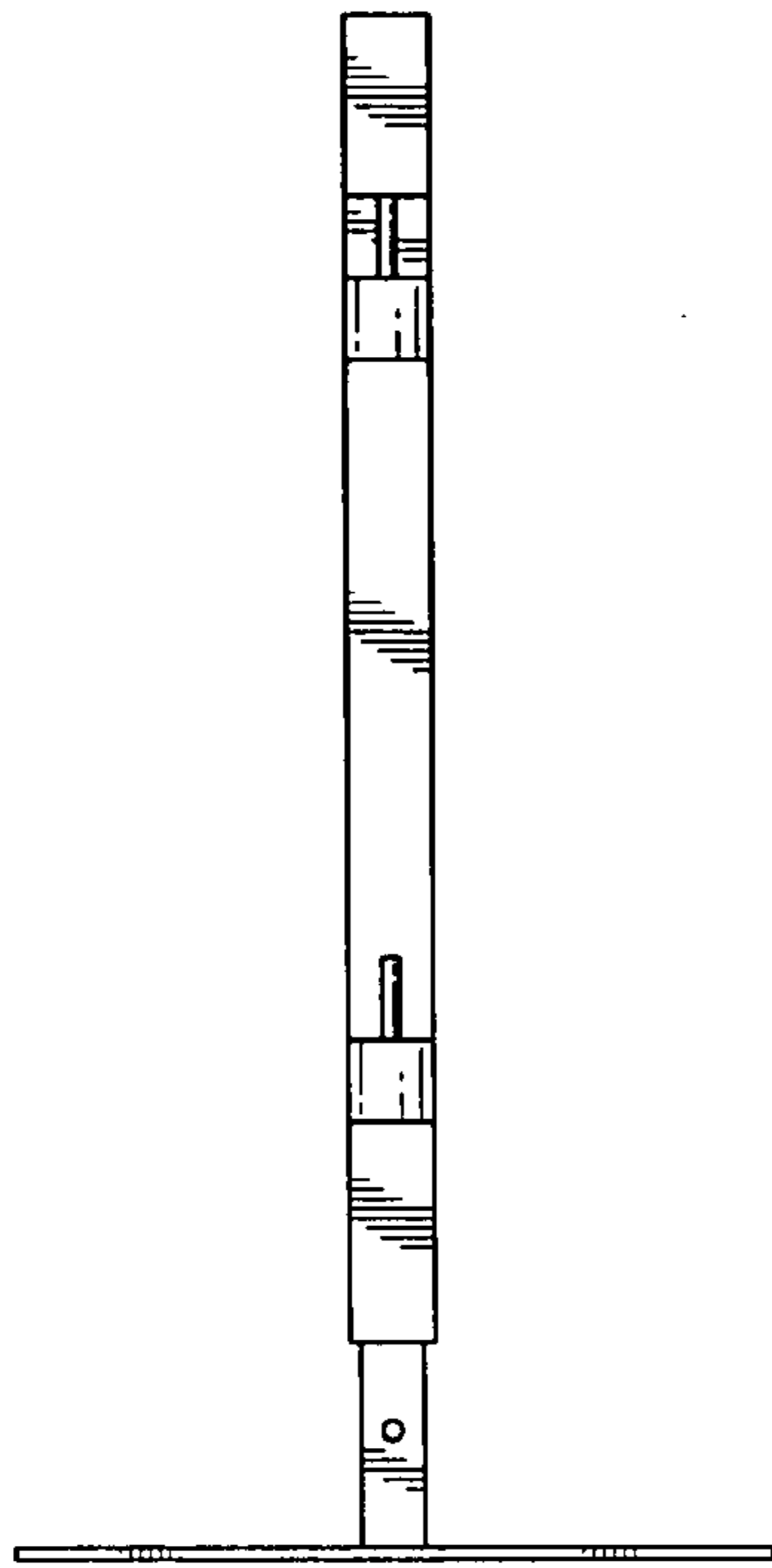


FIG. 5

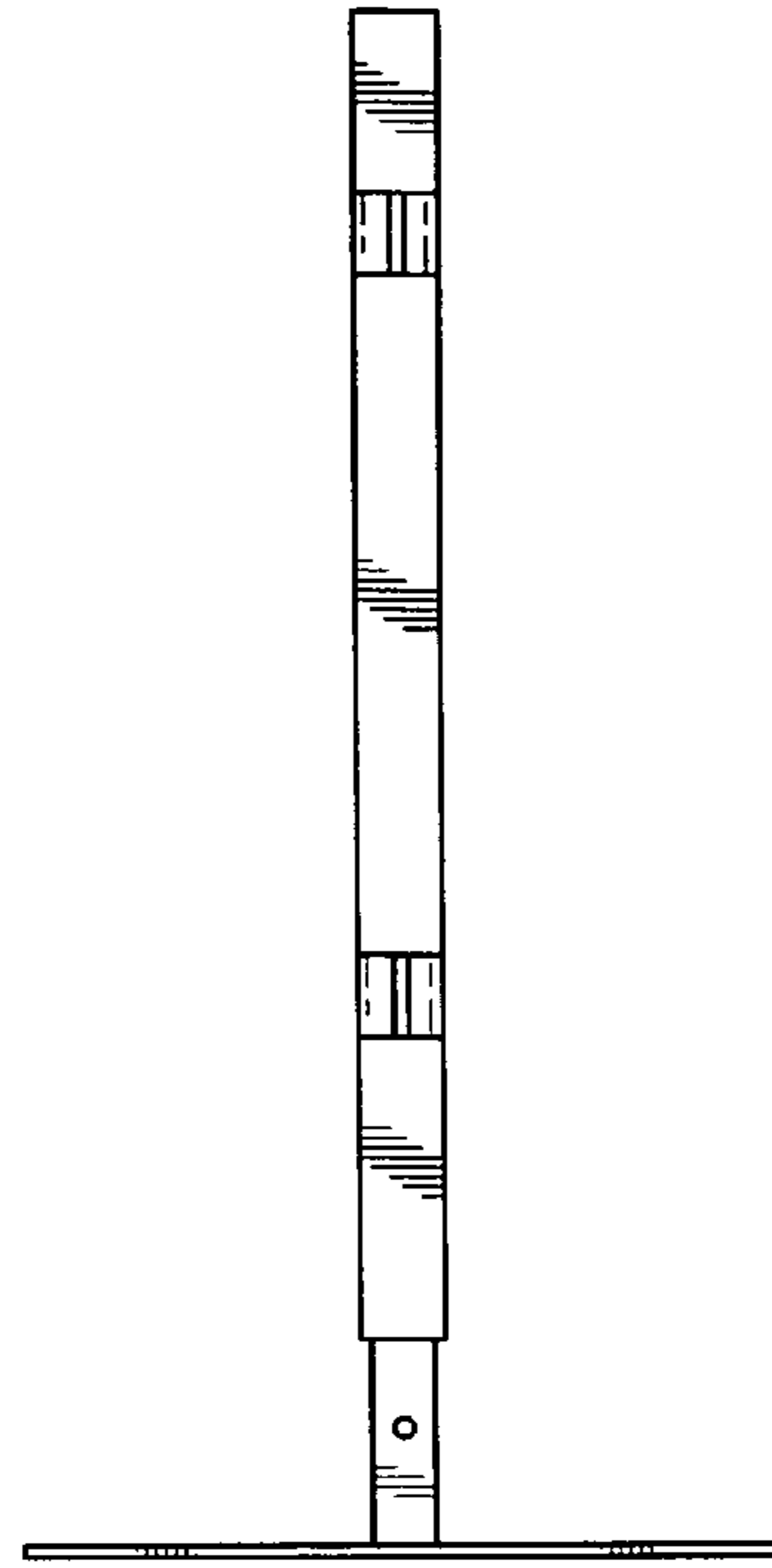


FIG. 6

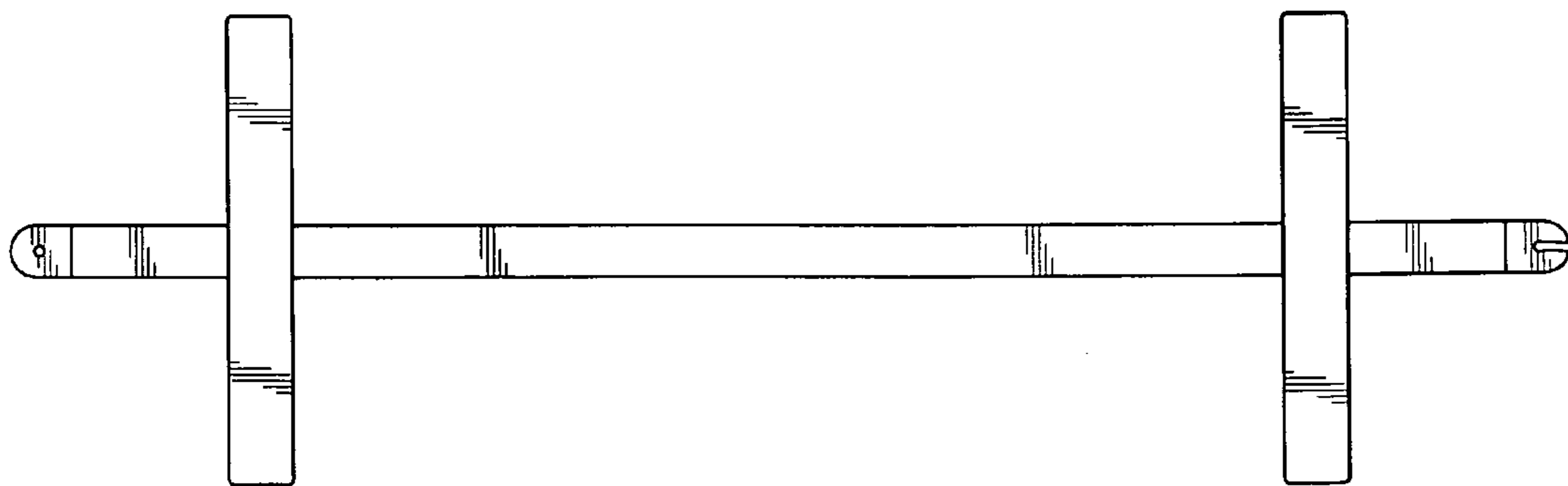


FIG. 7

UNITED STATES PATENT AND TRADEMARK OFFICE  
**CERTIFICATE OF CORRECTION**

PATENT NO. : D665,920 S  
APPLICATION NO. : 29/374711  
DATED : August 21, 2012  
INVENTOR(S) : Mark Glaser

Page 1 of 1

It is certified that error appears in the above-identified patent and that said Letters Patent is hereby corrected as shown below:

Title Page, item (\*) Delete "Notice: This patent is subject to a terminal disclaimer."

Signed and Sealed this  
Twenty-third Day of October, 2012

A handwritten signature in black ink that reads "David J. Kappos". The signature is written in a cursive, slightly slanted style.

David J. Kappos  
*Director of the United States Patent and Trademark Office*