



US00D665918S

(12) **United States Design Patent**
Place

(10) **Patent No.:** **US D665,918 S**

(45) **Date of Patent:** **** Aug. 21, 2012**

(54) **PILL CRUSHING DEVICE**

(76) Inventor: **Roy Allan Place**, White Hall, MD (US)

(**) Term: **14 Years**

(21) Appl. No.: **29/370,389**

(22) Filed: **Jul. 12, 2010**

(51) **LOC (9) Cl.** **24-01**

(52) **U.S. Cl.** **D24/220**

(58) **Field of Classification Search** D24/220,
D24/221, 216, 231, 232; D7/679, 682; 241/168,
241/169, 169.1, 169.2, 199.11, DIG. 27
See application file for complete search history.

(56) **References Cited**

U.S. PATENT DOCUMENTS

D208,874 S *	10/1967	Sacks	D7/682
4,366,930 A *	1/1983	Trombetti, Jr.	241/169
D310,564 S *	9/1990	Besaw	D24/220
4,967,971 A *	11/1990	Smith	241/169
5,067,666 A *	11/1991	Sussman	241/DIG. 27

D349,433 S *	8/1994	Tran	D7/682
5,478,311 A *	12/1995	Klearman	241/DIG. 27
D545,622 S *	7/2007	Gomez	D7/682
D642,023 S *	7/2011	Reay	D24/220
2008/0093490 A1 *	4/2008	Donovan	241/169.2
2009/0014564 A1 *	1/2009	Grah	241/169.2

* cited by examiner

Primary Examiner — Anhdao Doan

(74) *Attorney, Agent, or Firm* — Richard L. Mikesell

(57) **CLAIM**

The ornamental design for a pill crushing device, as shown and described.

DESCRIPTION

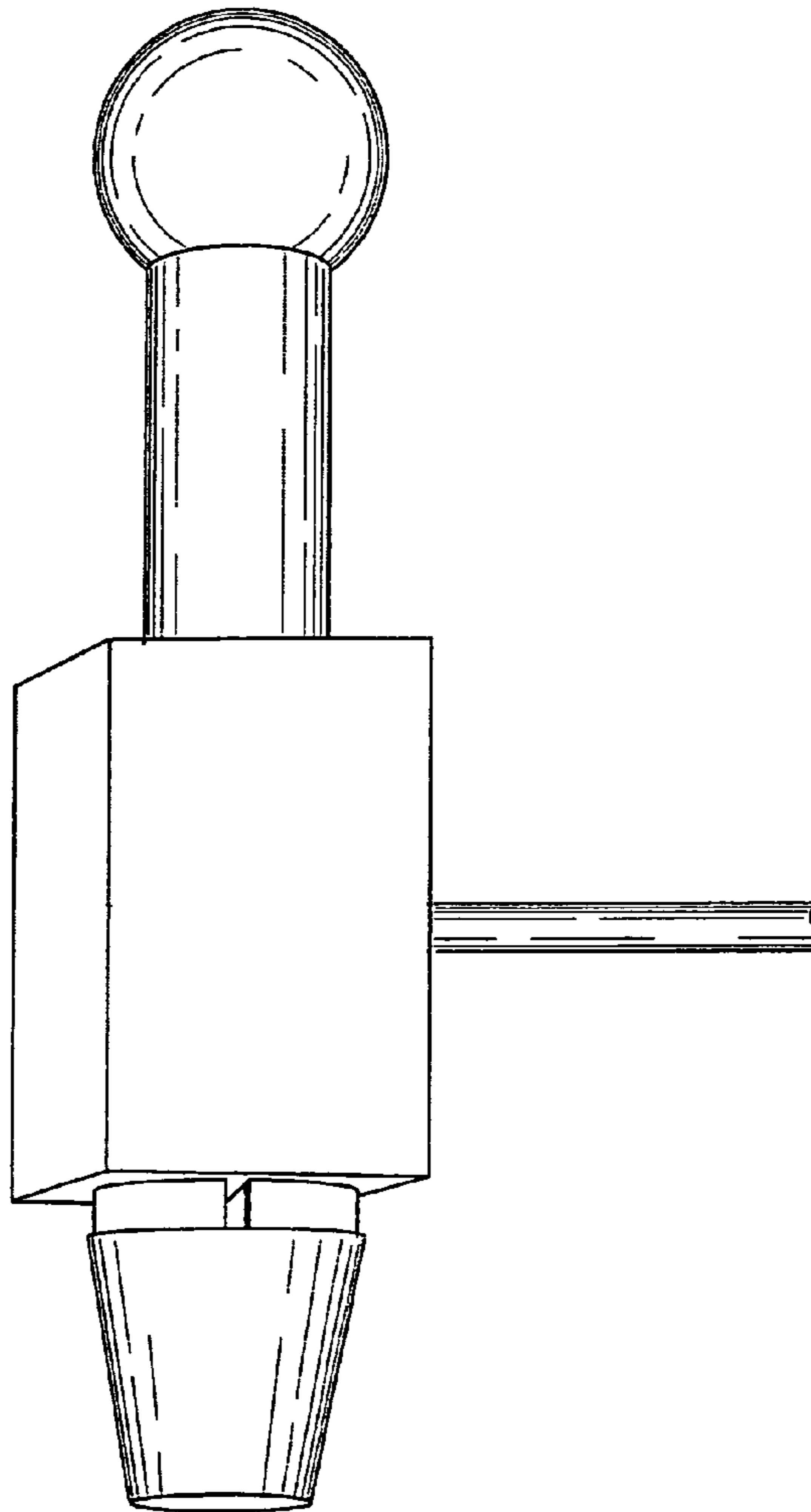
FIG. 1 is front perspective view of a pill crushing device, the rear view being a mirror image except it would not have the slit in the lower cylinder;

FIG. 2 is an exploded front perspective thereof;

FIG. 3 is top plan view thereof; and,

FIG. 4 is a bottom plan view thereof.

1 Claim, 3 Drawing Sheets



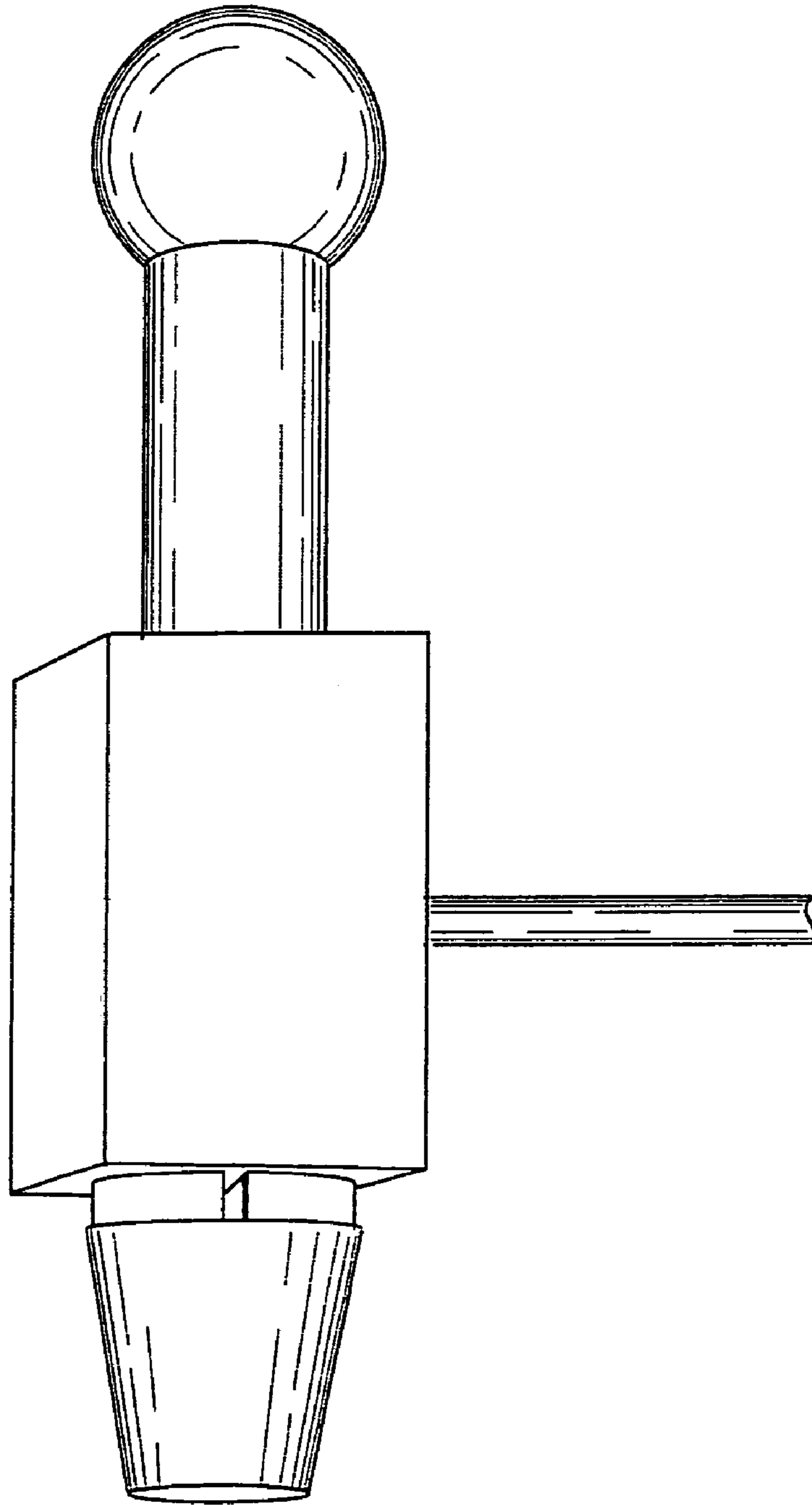


Fig. 1

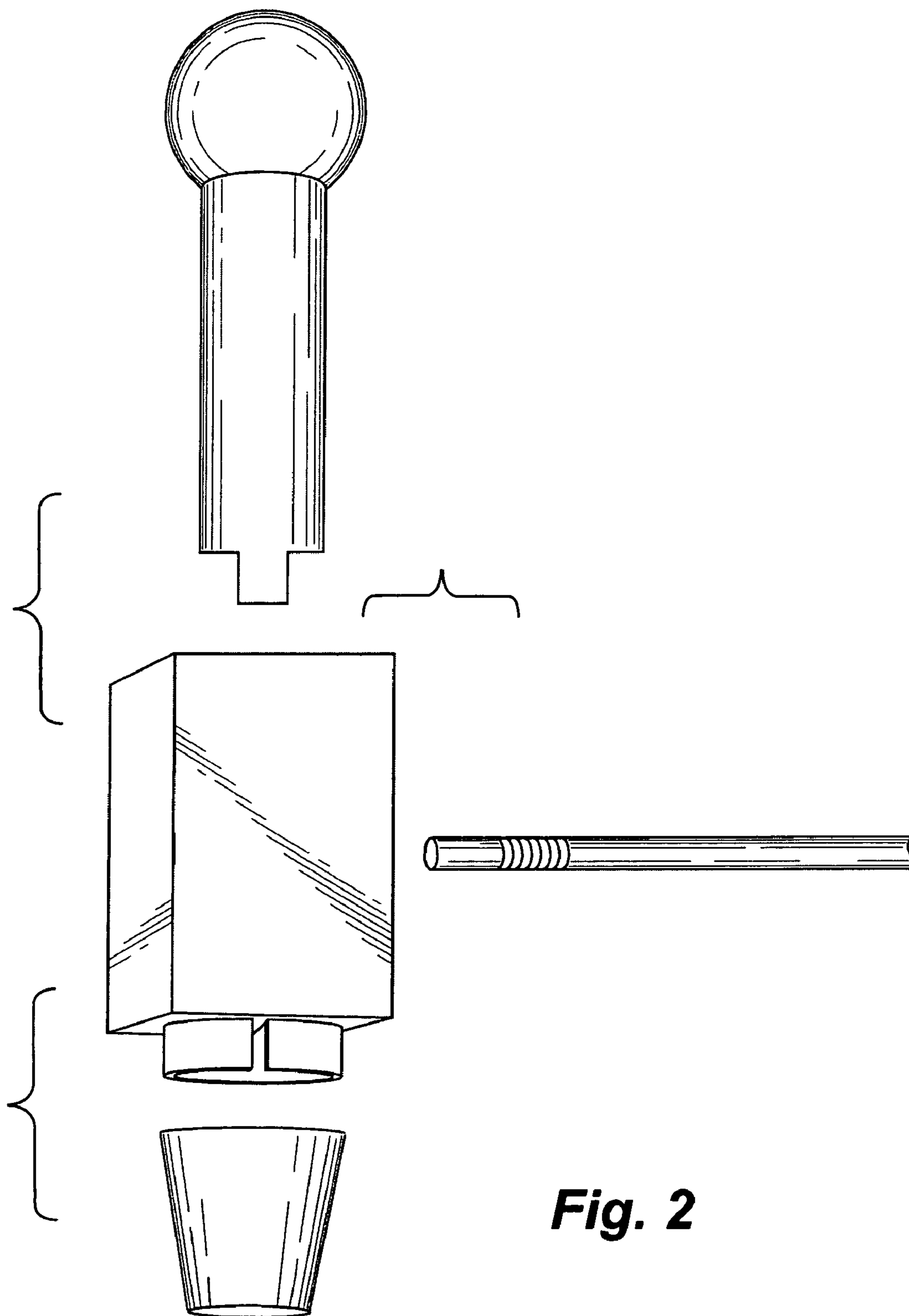


Fig. 2

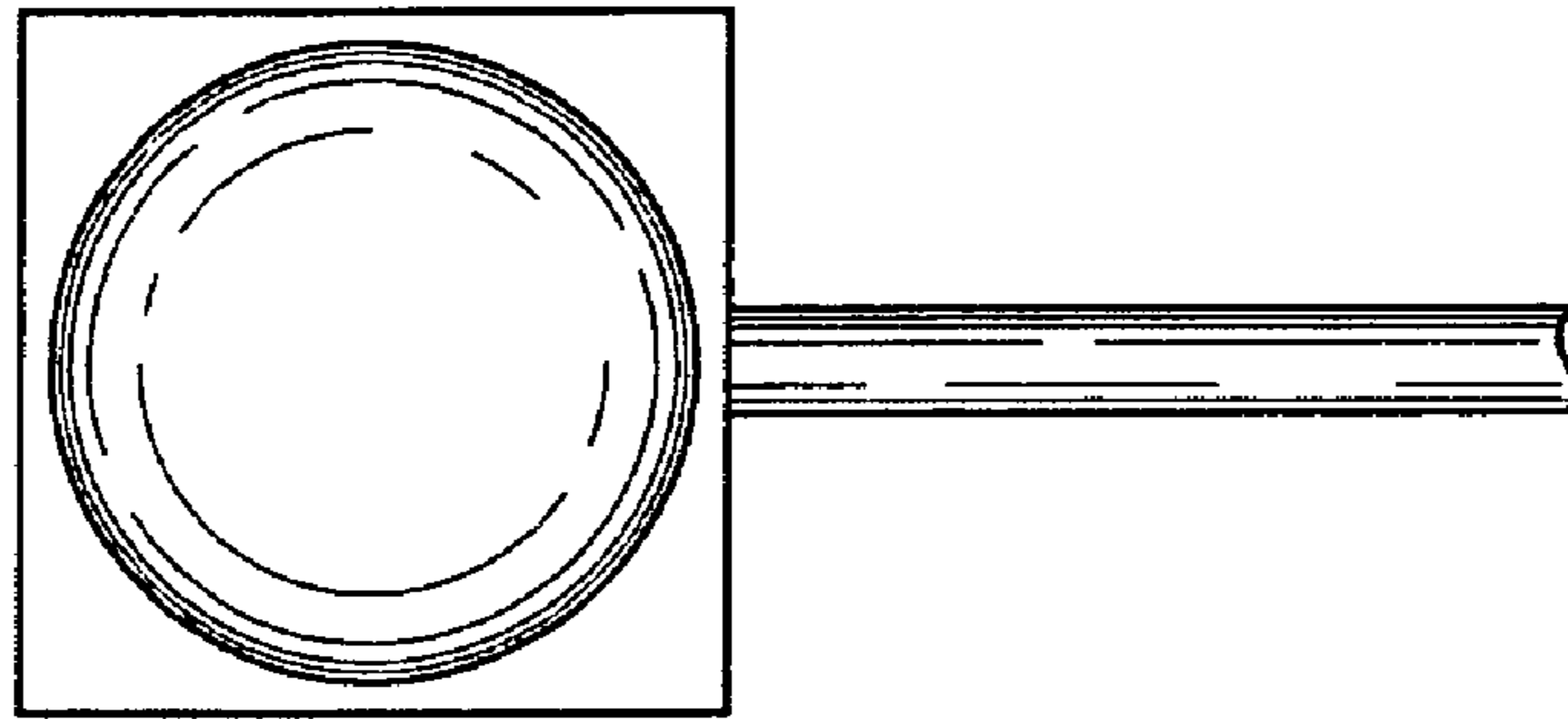


Fig. 3

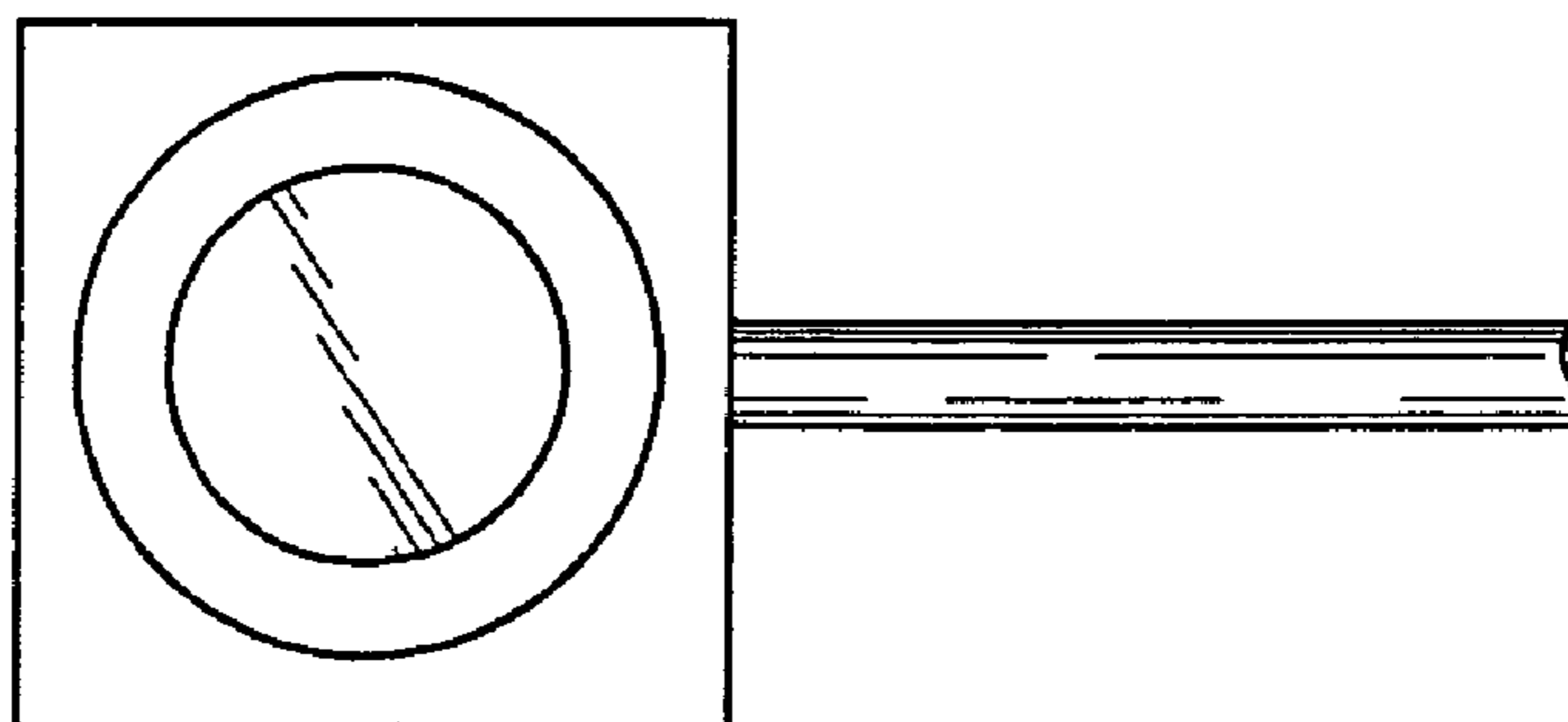


Fig. 4