

US00D665911S

(12) **United States Design Patent**
Laukkanen et al.

(10) **Patent No.:** **US D665,911 S**

(45) **Date of Patent:** **** Aug. 21, 2012**

(54) **EXTREMITY CT SCANNER**

(75) Inventors: **Tapio Laukkanen**, Espoo (FI); **Kari Malmén**, Helsinki (FI)

(73) Assignee: **Planmed Oy**, Helsinki (FI)

(**) Term: **14 Years**

(21) Appl. No.: **29/378,087**

(22) Filed: **Oct. 29, 2010**

(30) **Foreign Application Priority Data**

Apr. 29, 2010 (EM) 001702051-0002

(51) **LOC (9) Cl.** **24-01**

(52) **U.S. Cl.** **D24/158**

(58) **Field of Classification Search** D24/158-161,
D24/186; 378/62, 68, 155, 195-198, 208,
378/4, 15, 17, 20, 21, 23-27, 146
See application file for complete search history.

(56) **References Cited**

U.S. PATENT DOCUMENTS

4,394,771	A *	7/1983	Charrier	378/172
4,979,196	A *	12/1990	Lieutaud et al.	378/37
D318,726	S *	7/1991	Takekoshi et al.	D24/159
5,034,970	A *	7/1991	Yahata et al.	378/20
5,073,918	A *	12/1991	Kamon	378/205
D364,927	S *	12/1995	Murakami et al.	D24/159

D399,958	S *	10/1998	Hiramatsu	D24/158
D557,418	S *	12/2007	Onuma et al.	D24/158
D564,096	S *	3/2008	Banryu	D24/158
D570,484	S *	6/2008	Kaneko et al.	D24/158
7,405,407	B2 *	7/2008	Hiramoto et al.	250/370.09
D590,504	S *	4/2009	Ogiwara	D24/158
D591,862	S *	5/2009	Taniguchi et al.	D24/158
7,630,529	B2 *	12/2009	Zalis	382/128
D628,294	S *	11/2010	Baba	D24/158
2006/0203958	A1 *	9/2006	Nagamine et al.	378/20
2009/0304159	A1 *	12/2009	Meer et al.	378/208

* cited by examiner

Primary Examiner — Anhdao Doan

(74) *Attorney, Agent, or Firm* — Fay Sharpe LLP

(57) **CLAIM**

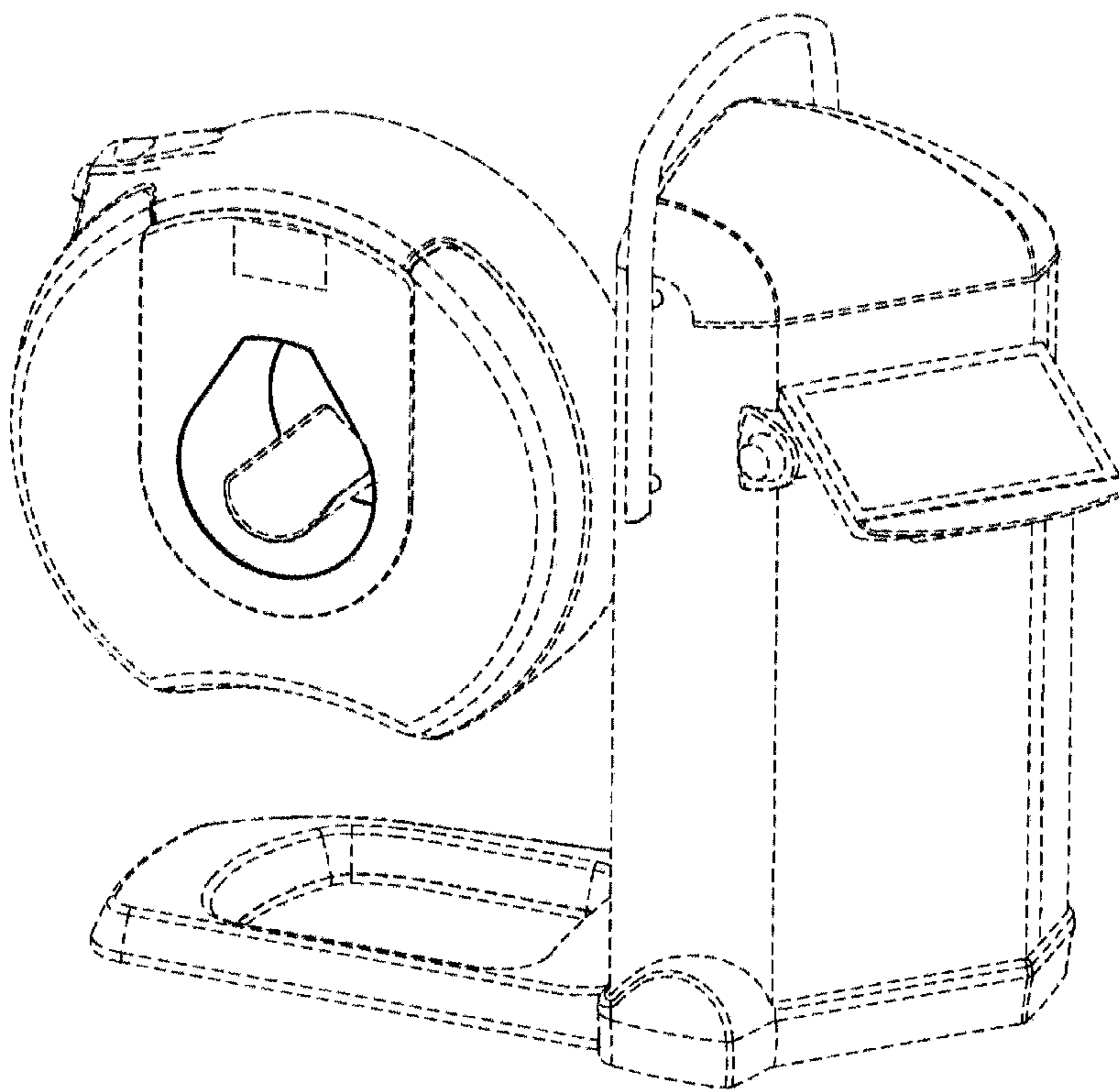
The ornamental design for an extremity CT scanner, as shown and described.

DESCRIPTION

FIG. 1 is a perspective view of an extremity CT scanner; FIG. 2 is a rear elevational view thereof; FIG. 3 is a bottom plan view thereof; FIG. 4 is a front elevational view thereof; FIG. 5 is a left side elevational view thereof; FIG. 6 is a right side elevational view thereof; and, FIG. 7 is a top plan view thereof.

The broken lines in all drawing views are included for the purpose of illustrating portions of the extremity CT scanner that form no part of the claimed design.

1 Claim, 7 Drawing Sheets



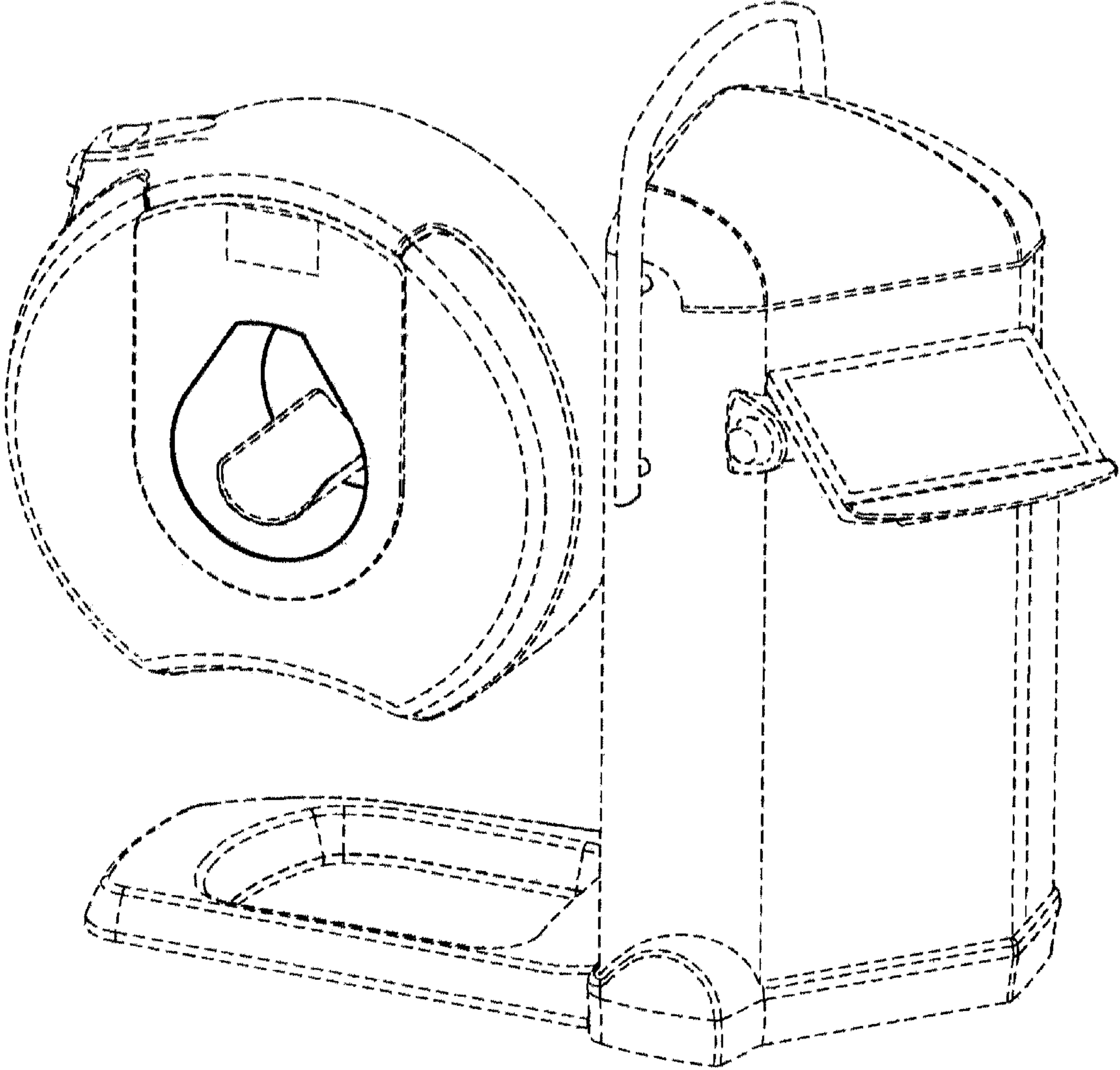


FIGURE 1

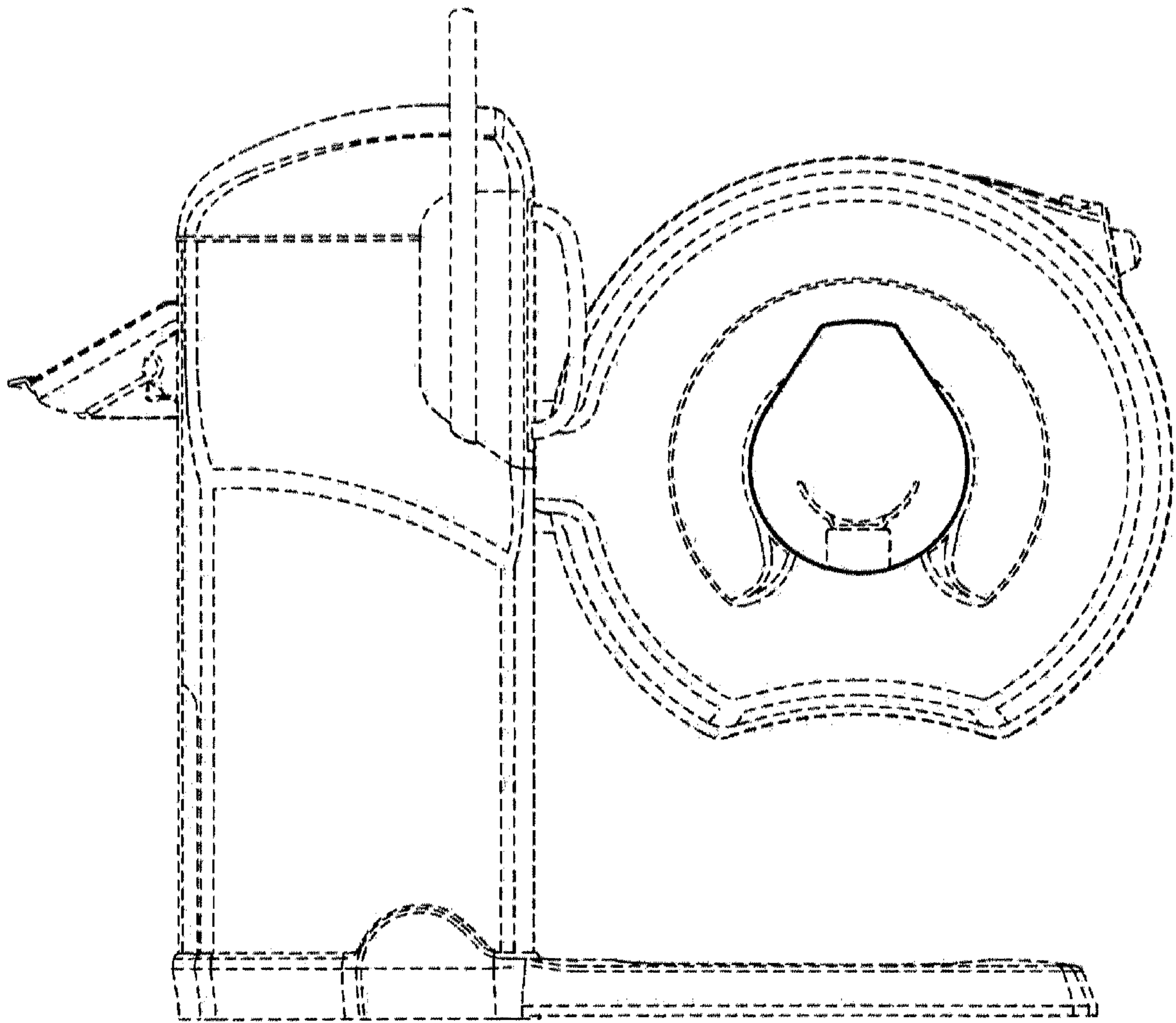


FIGURE 2

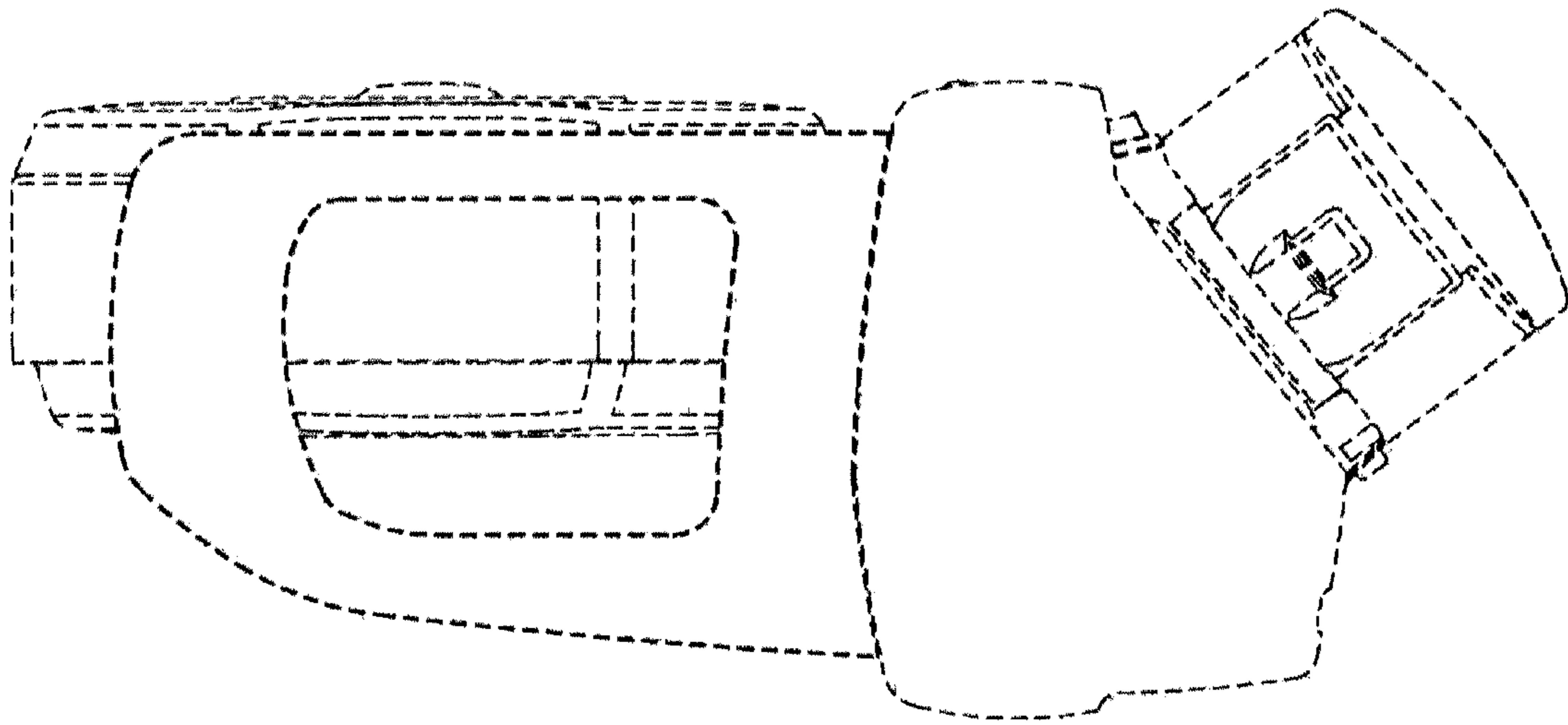


FIGURE 3

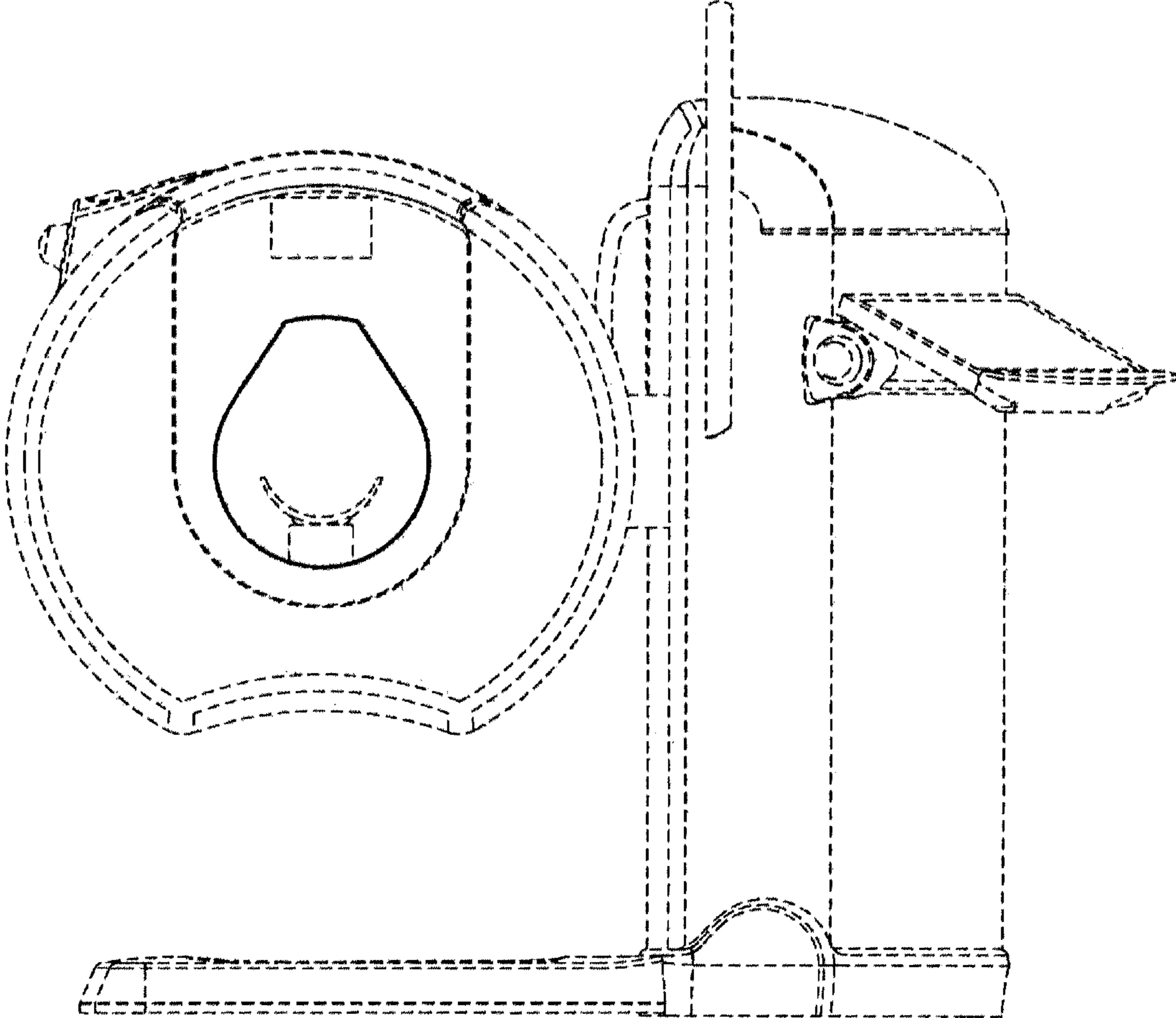


FIGURE 4

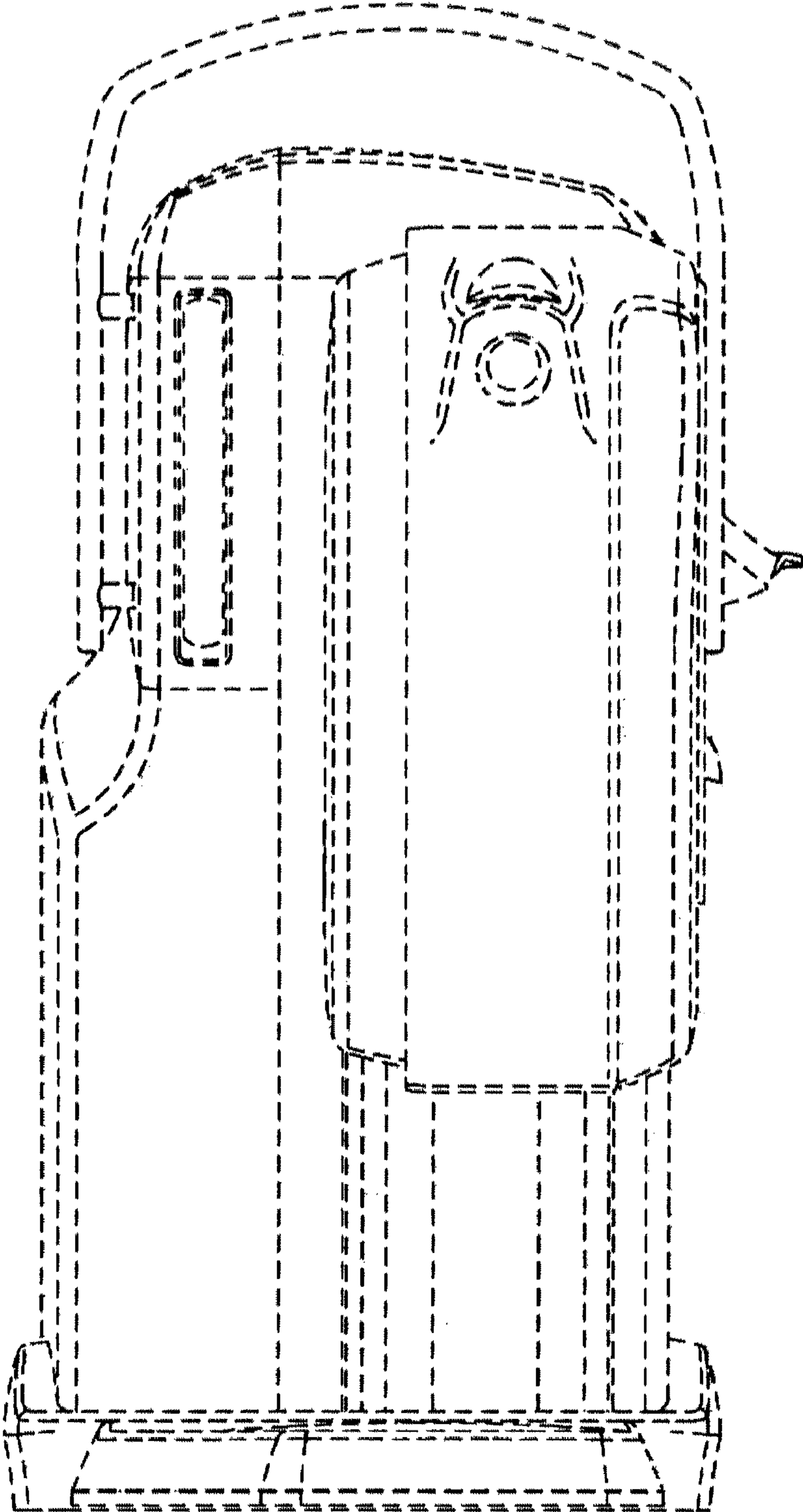


FIGURE 5

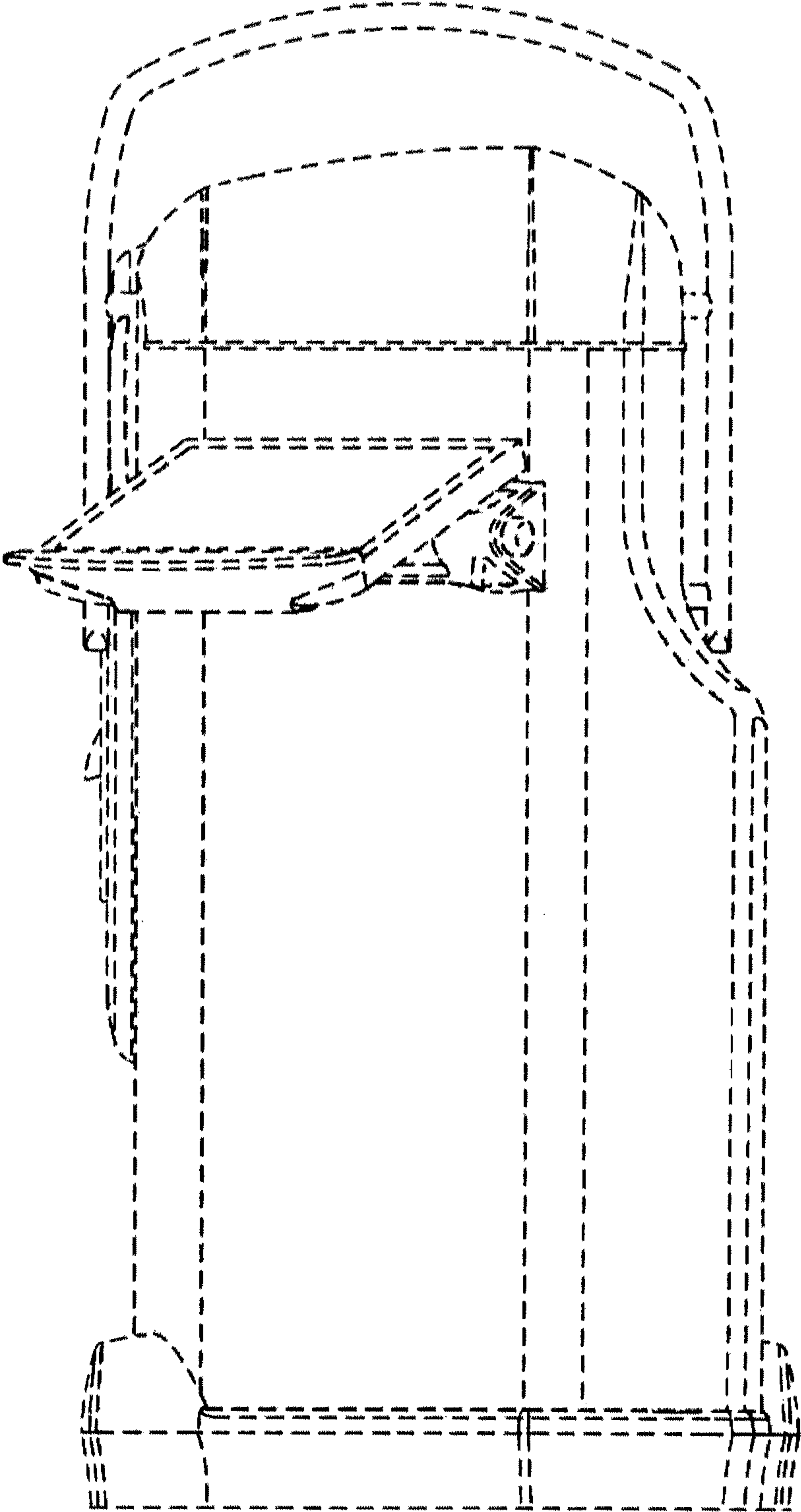


FIGURE 6

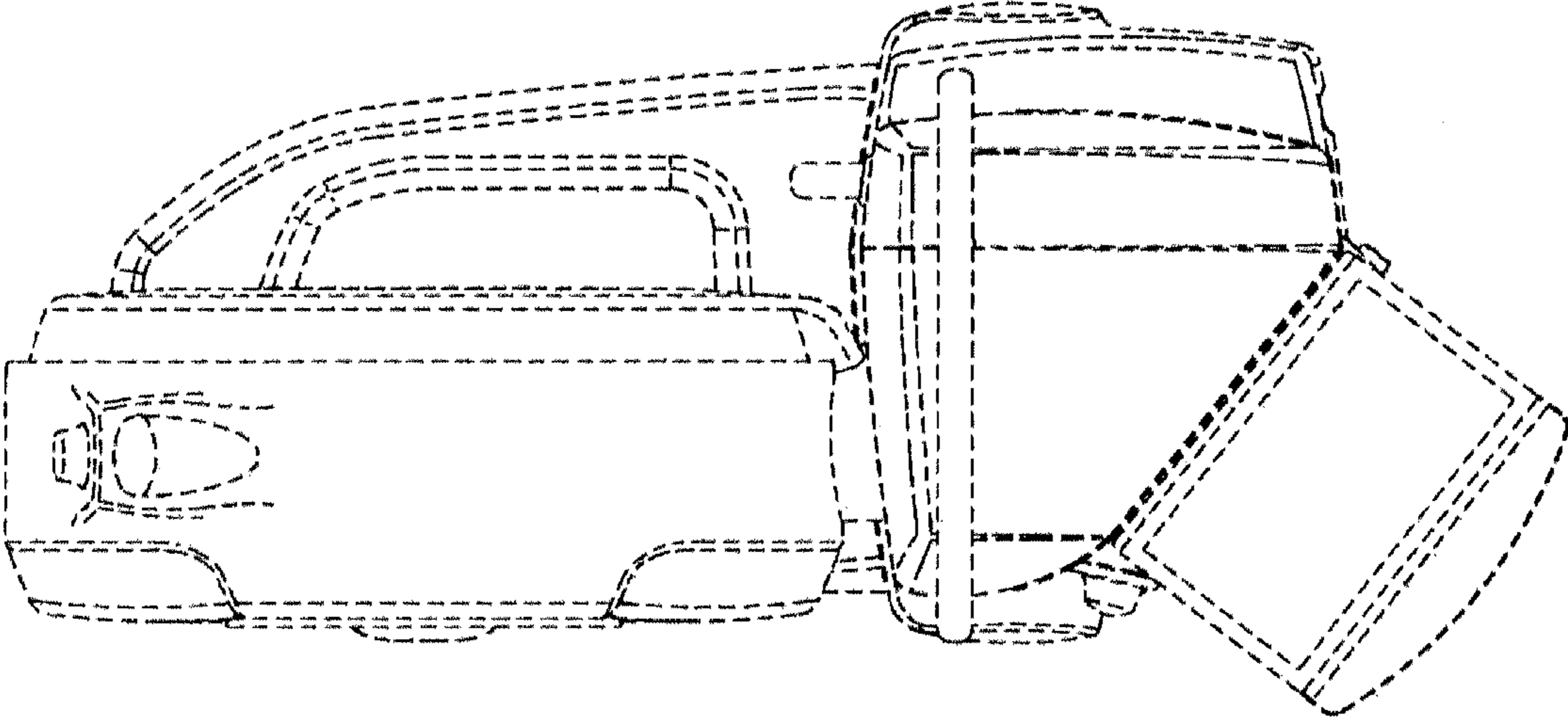


FIGURE 7