



US00D665909S

(12) **United States Design Patent**  
**Dodd et al.**

(10) **Patent No.:** **US D665,909 S**  
(45) **Date of Patent:** **\*\* Aug. 21, 2012**

(54) **ULTRASOUND BIOPSY DEVICE**

(75) Inventors: **Kathryn M. Dodd**, Cincinnati, OH  
(US); **Kevin M. Fiebig**, Cincinnati, OH  
(US); **John A. Hibner**, Mason, OH  
(US); **Emmanuel Tanghal**, Mason, OH  
(US); **Edward A. Rhad**, Fairfield, OH  
(US)

(73) Assignee: **Devicor Medical Products, Inc.**,  
Cincinnati, OH (US)

(\*\*) Term: **14 Years**

(21) Appl. No.: **29/408,100**

(22) Filed: **Dec. 7, 2011**

(51) **LOC (9) Cl.** ..... **24-02**

(52) **U.S. Cl.** ..... **D24/146**

(58) **Field of Classification Search** ..... D24/146,  
D24/147, 133, 114; 606/170, 208, 207, 564,  
606/566; 600/564-568  
See application file for complete search history.

(56) **References Cited**

U.S. PATENT DOCUMENTS

5,184,625	A *	2/1993	Cottone et al.	600/564
D476,734	S *	7/2003	Pavlu et al.	D24/114
6,585,664	B2 *	7/2003	Burdorff et al.	600/564
6,689,072	B2 *	2/2004	Kaplan et al.	600/567
7,025,732	B2 *	4/2006	Thompson et al.	600/564
7,854,706	B2 *	12/2010	Hibner	600/566
D635,248	S *	3/2011	Coale	D24/114

D659,828	S *	5/2012	Horning et al.	D24/146
D660,430	S *	5/2012	Horning et al.	D24/146
8,192,353	B2 *	6/2012	Smith	600/114
8,192,370	B2 *	6/2012	Miller	600/568
8,197,419	B2 *	6/2012	Field et al.	600/567
2006/0129063	A1 *	6/2006	Thompson et al.	600/566
2007/0032743	A1 *	2/2007	Hibner	600/566
2008/0200836	A1 *	8/2008	Speeg et al.	600/567

\* cited by examiner

*Primary Examiner* — Ian Simmons

*Assistant Examiner* — Carissa C Fitts

(74) *Attorney, Agent, or Firm* — Frost Brown Todd LLC

(57) **CLAIM**

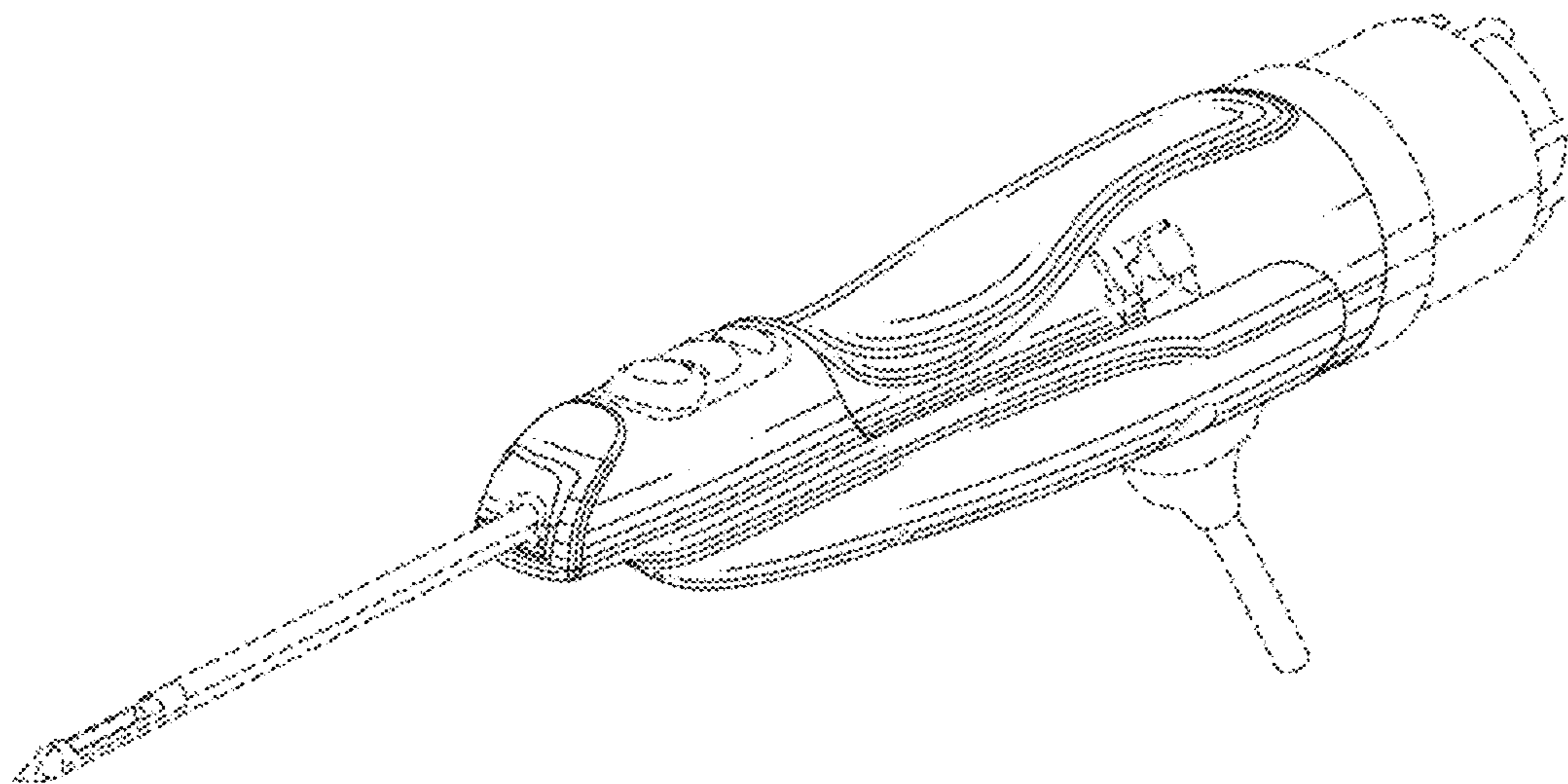
The ornamental design for an ultrasound biopsy device, as shown and described.

**DESCRIPTION**

FIG. 1 is a top perspective view of an ultrasound biopsy device, showing our new design; FIG. 2 is a bottom perspective view thereof; FIG. 3 is a front elevation view thereof; FIG. 4 is a rear elevation view thereof; FIG. 5 is a right elevation view thereof; FIG. 6 is a left elevation view thereof; FIG. 7 is a top plan view thereof; and, FIG. 8 is a bottom plan view thereof.

The needle assembly, collection assembly, latch assembly, button assembly, and cable assembly shown in broken lines are unclaimed subject matter and form no part of the claimed design.

**1 Claim, 6 Drawing Sheets**



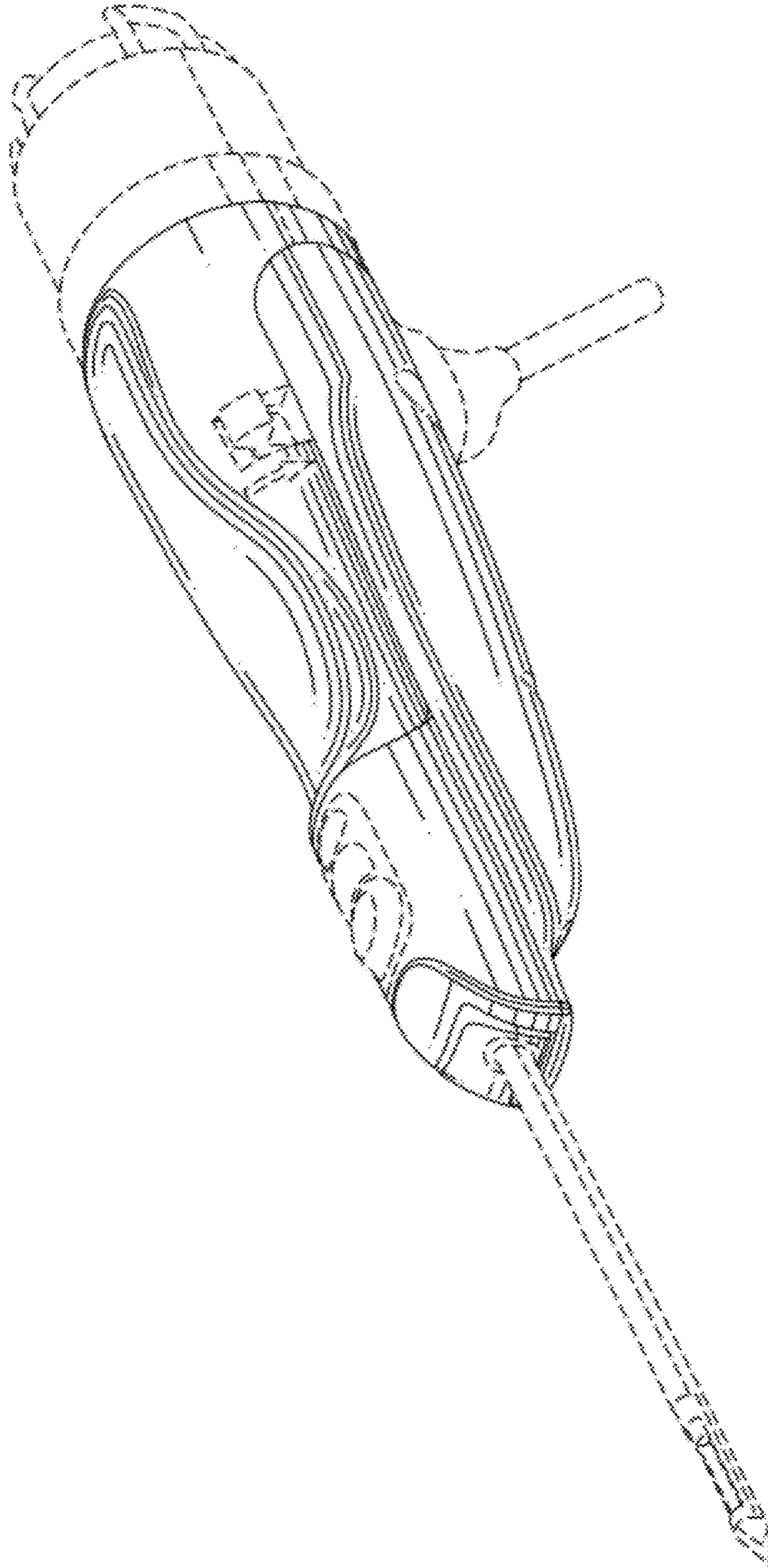


Fig. 1

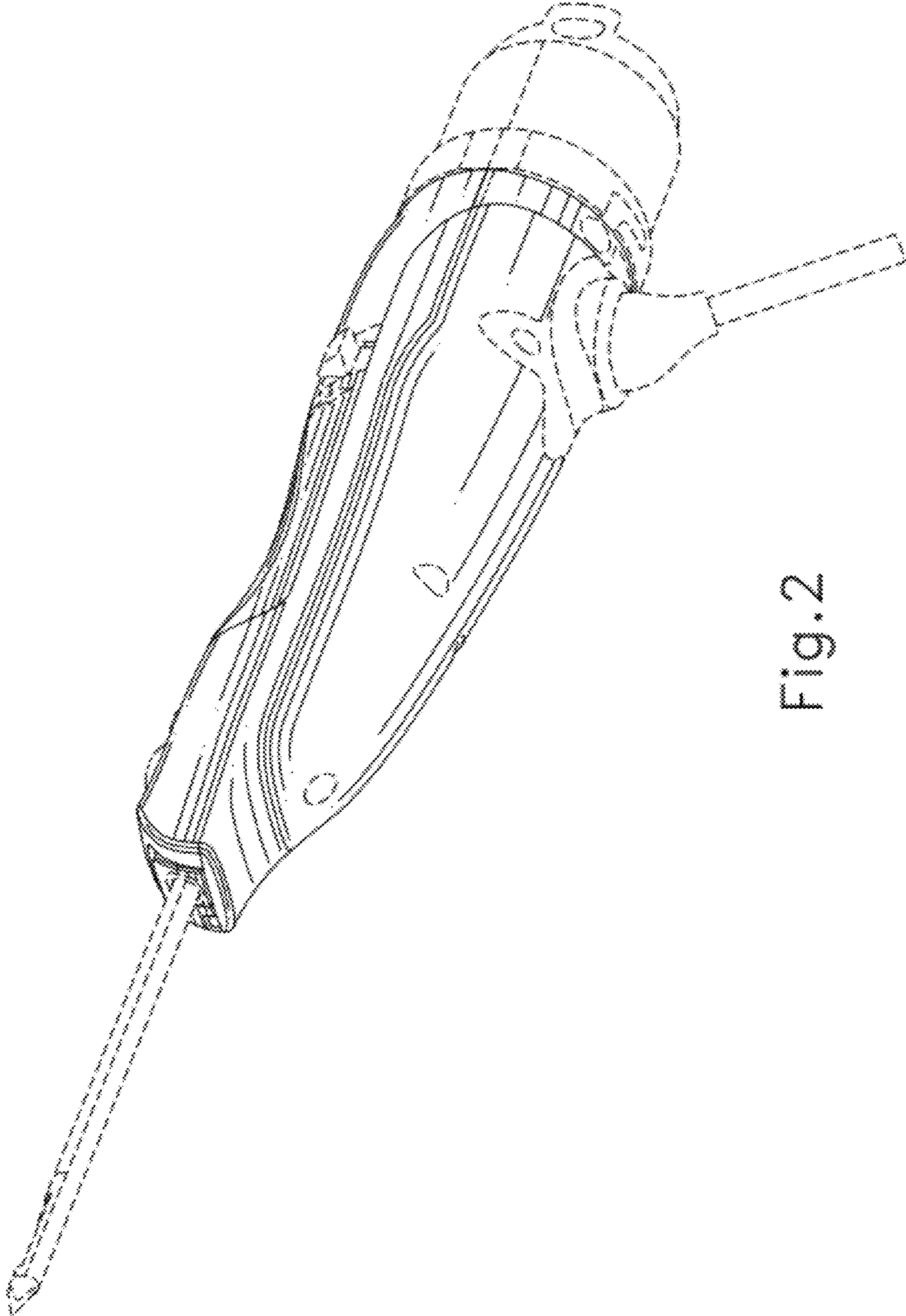


Fig. 2

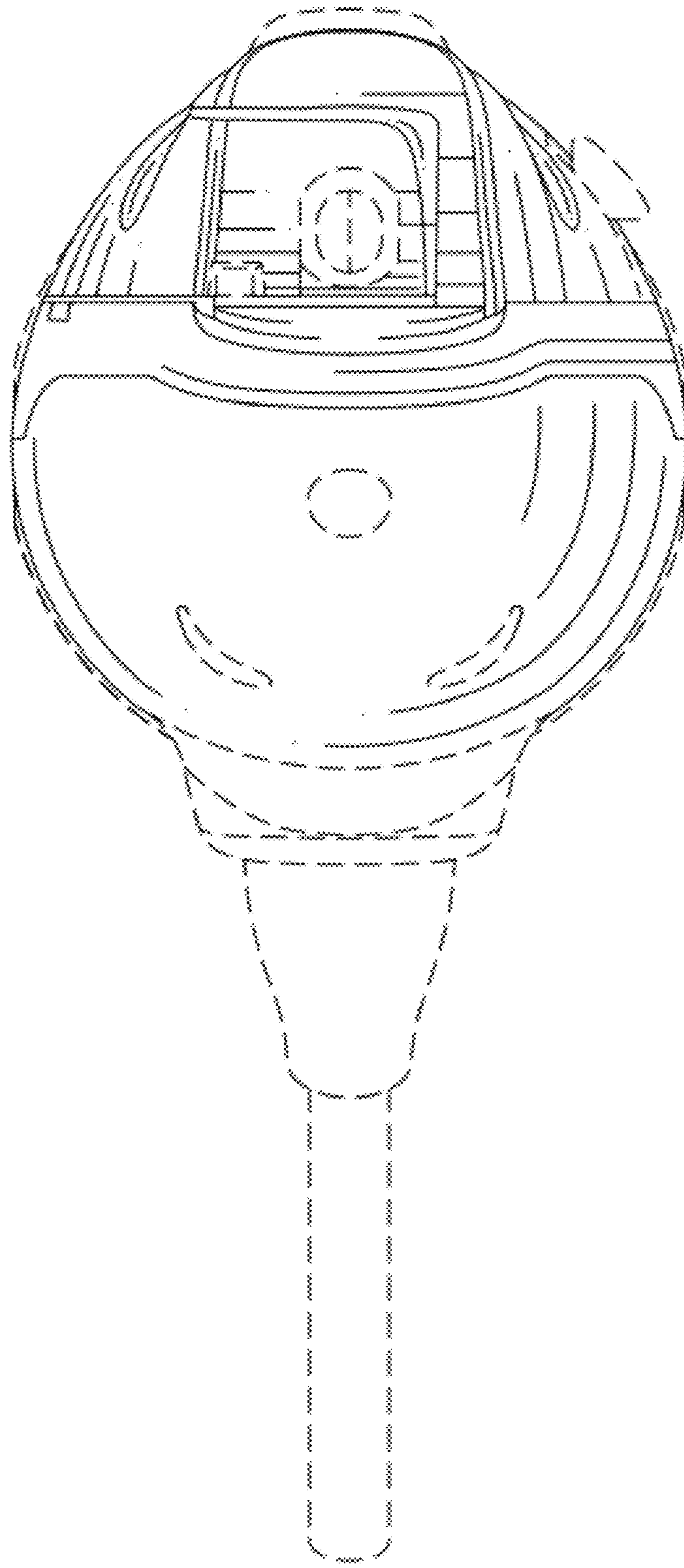


Fig. 3

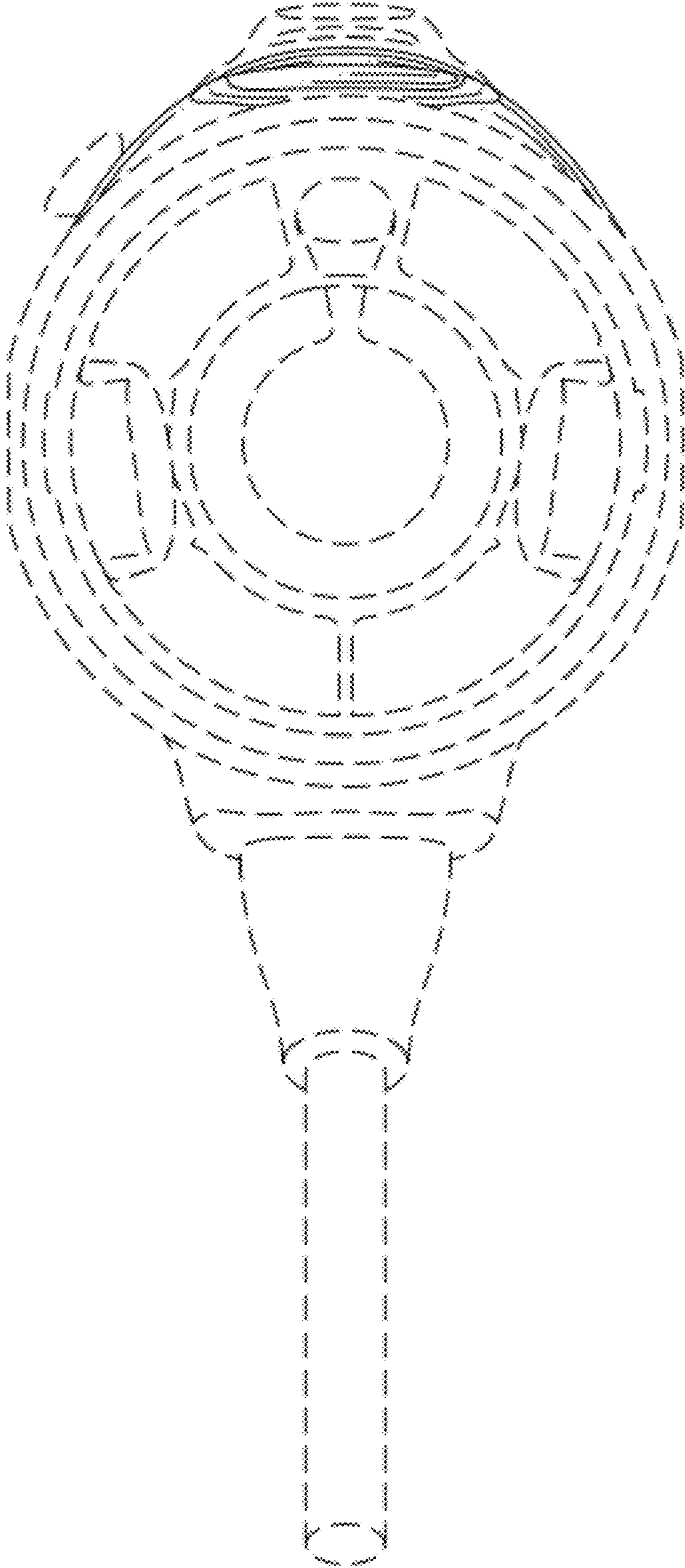


Fig. 4

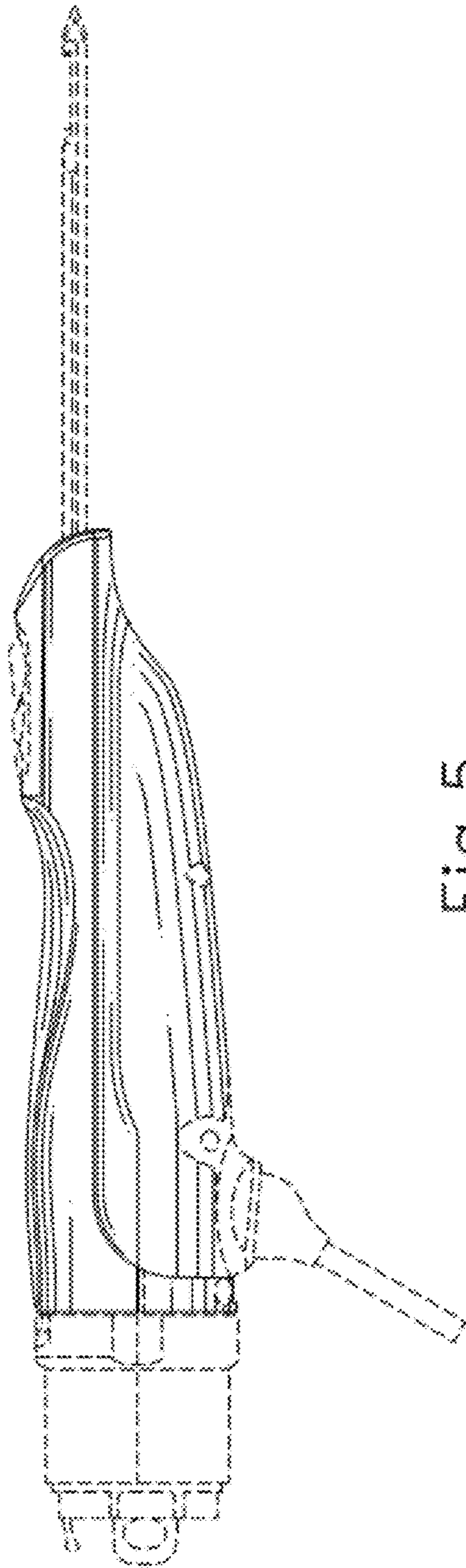


Fig. 5

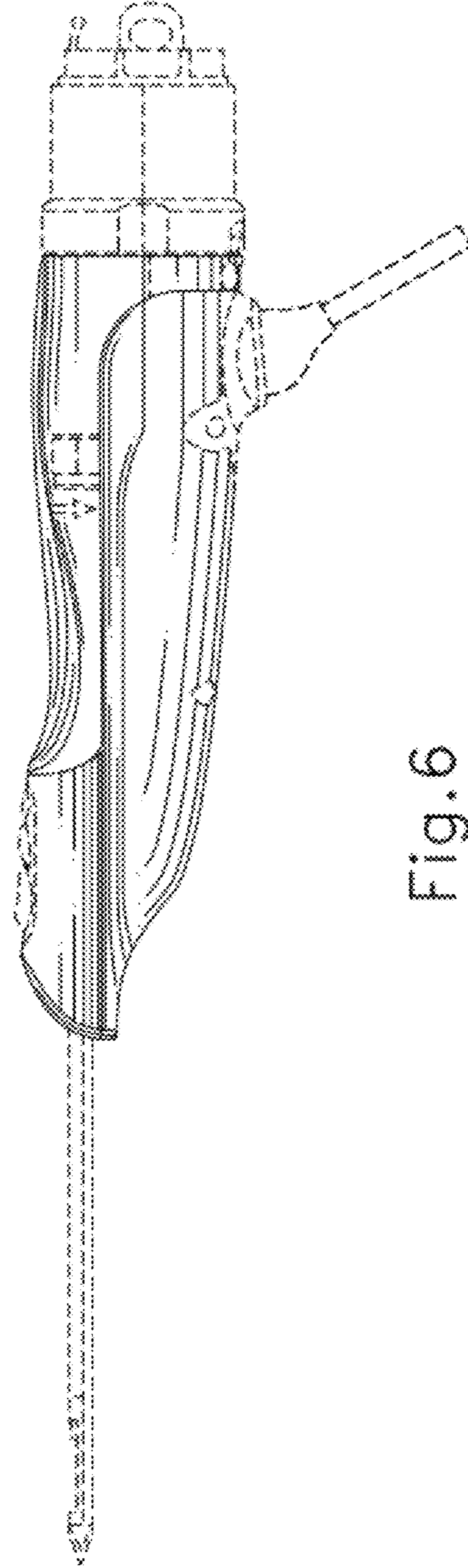


Fig. 6

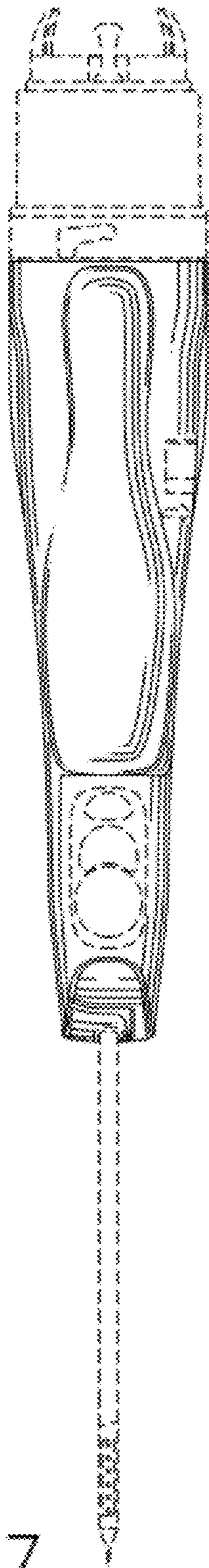


Fig. 7

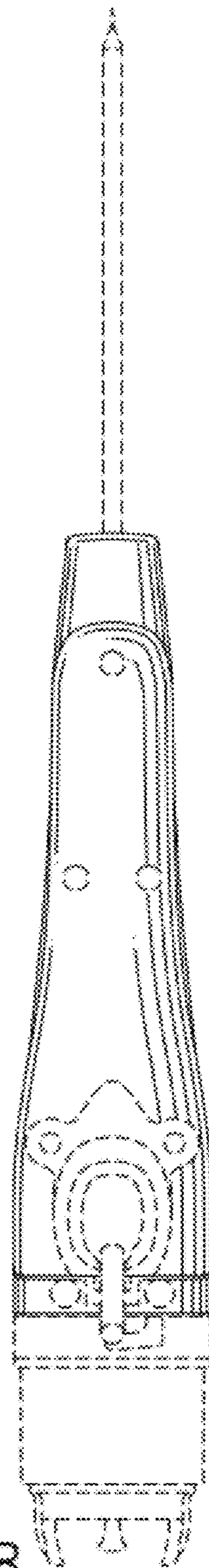


Fig. 8