

US00D665908S

(12) **United States Design Patent**
Detry

(10) **Patent No.:** **US D665,908 S**

(45) **Date of Patent:** **** *Aug. 21, 2012**

(54) **SURGICAL INSTRUMENT**

(75) Inventor: **Marc Detry**, Ayze (FR)

(73) Assignee: **Zimmer Surgical SA**, Plan-les-Ouates (CH)

(*) Notice: This patent is subject to a terminal disclaimer.

(**) Term: **14 Years**

(21) Appl. No.: **29/399,446**

(22) Filed: **Aug. 15, 2011**

(30) **Foreign Application Priority Data**

Feb. 15, 2011 (EM) 001821323
Feb. 15, 2011 (EM) 001821398

(51) **LOC (9) Cl.** **24-02**

(52) **U.S. Cl.** **D24/146**

(58) **Field of Classification Search** D24/146,
D24/147; D8/20, 26, 64; 606/79, 82, 167,
606/176-178; 30/338, 339, 392
See application file for complete search history.

(56) **References Cited**

U.S. PATENT DOCUMENTS

1,429,162	A *	9/1922	Oberlander	30/151
3,016,932	A *	1/1962	Jacobson	30/369
3,899,828	A *	8/1975	Bosco	30/151
4,386,609	A *	6/1983	Mongeon	606/53
4,558,517	A *	12/1985	Gringer	30/169
4,922,614	A *	5/1990	Machida	30/339
5,382,249	A *	1/1995	Fletcher	606/79
5,433,004	A *	7/1995	Thompson et al.	30/169
5,916,218	A *	6/1999	Hagen et al.	606/82

6,503,253	B1 *	1/2003	Fletcher et al.	606/79
6,775,912	B2 *	8/2004	Panfili et al.	30/169
D586,512	S *	2/2009	van Deursen	D32/46
D601,869	S *	10/2009	Nelson	D8/20
7,901,424	B2 *	3/2011	Fletcher et al.	606/176
D642,264	S *	7/2011	Fisher et al.	D24/146
D654,590	S *	2/2012	Fisher et al.	D24/146
2004/0199167	A1 *	10/2004	Fletcher et al.	606/79
2007/0169353	A1 *	7/2007	Wu	30/155

* cited by examiner

Primary Examiner — Ian Simmons

Assistant Examiner — Carissa C Fitts

(74) *Attorney, Agent, or Firm* — Cermak Nakajima LLP;
Adam J. Cermak

(57) **CLAIM**

The ornamental design for a surgical instrument, as shown and described.

DESCRIPTION

FIG. 1 is a top, rear, left perspective view of a first exemplary embodiment of a surgical instrument showing my new design;

FIG. 3 is a bottom plan view of the surgical instrument shown in FIG. 1;

FIG. 4 is a rear elevational view of the surgical instrument shown in FIG. 1;

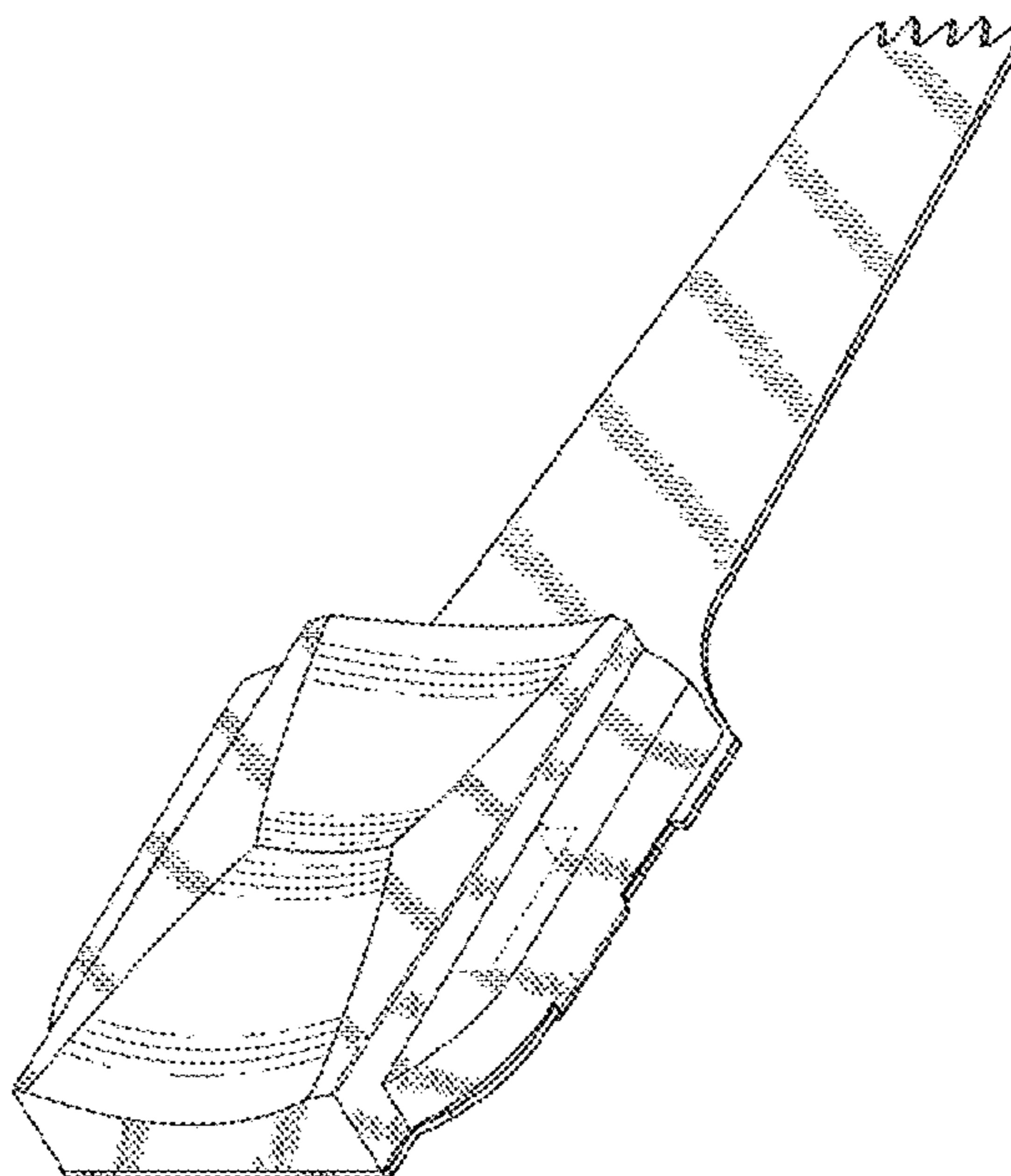
FIG. 5 is a front elevational view of the surgical instrument shown in FIG. 1;

FIG. 6 is left side elevational view of the surgical instrument shown in FIG. 1; and,

FIG. 7 is a right side elevational view of the surgical instrument shown in FIG. 1.

The broken line showing in FIGS. 1-3 is for environmental purposes only and forms no part of the claimed design.

1 Claim, 5 Drawing Sheets



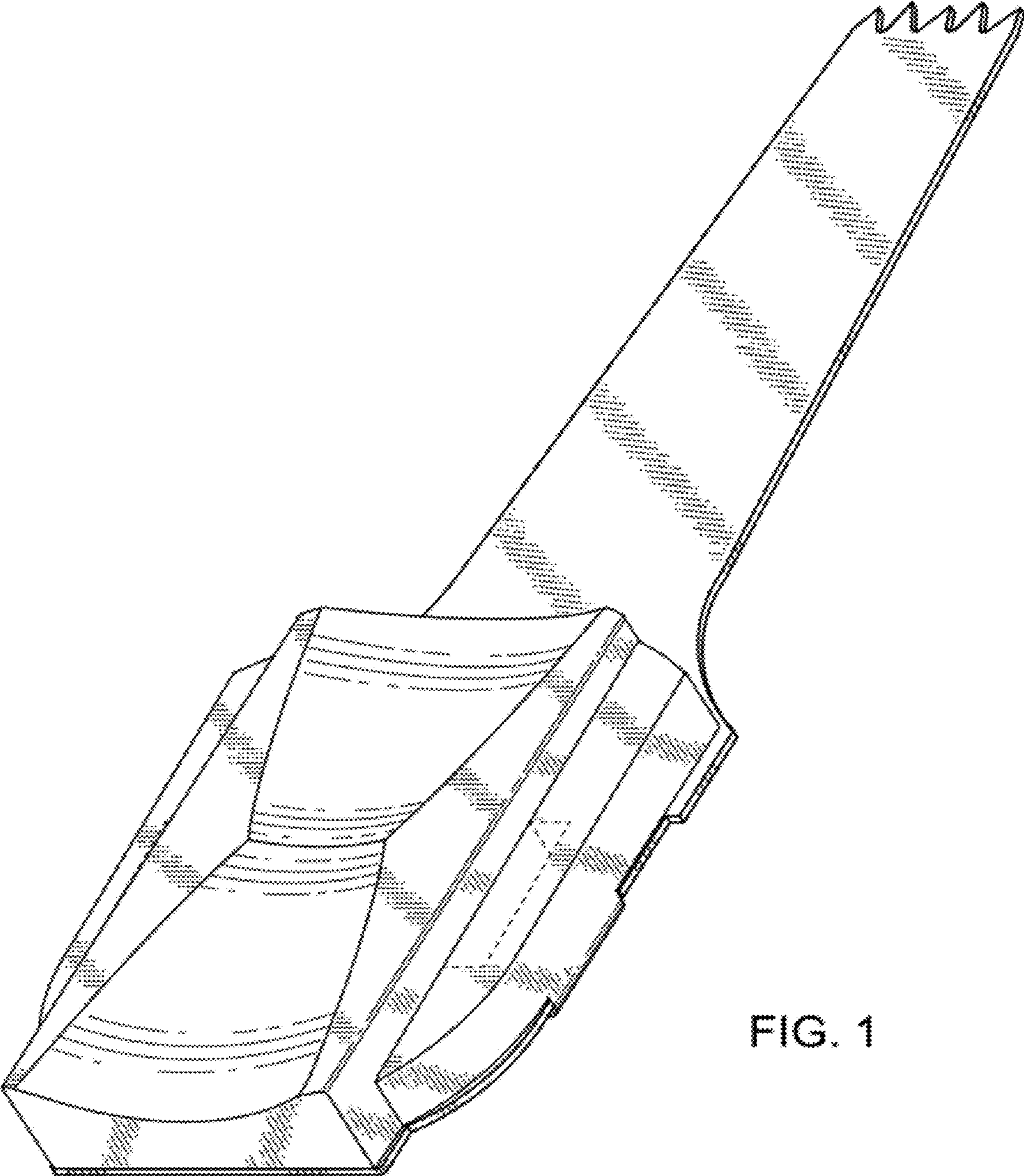


FIG. 1

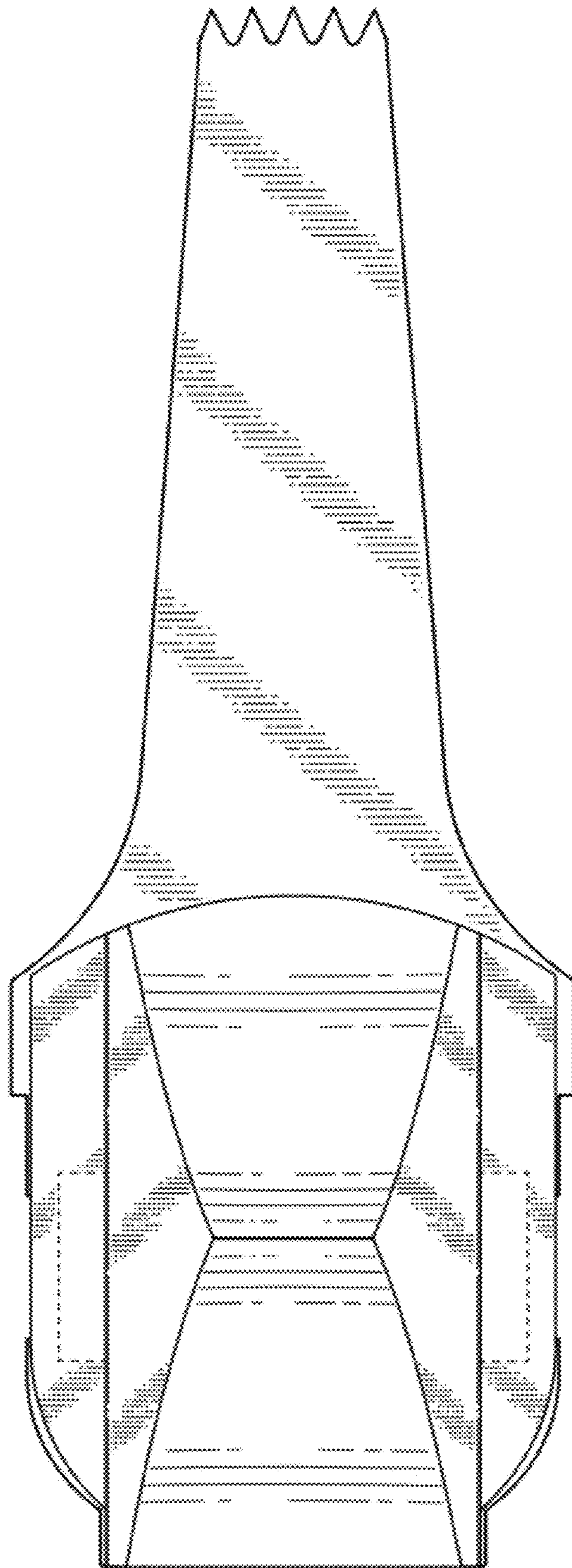


FIG. 2

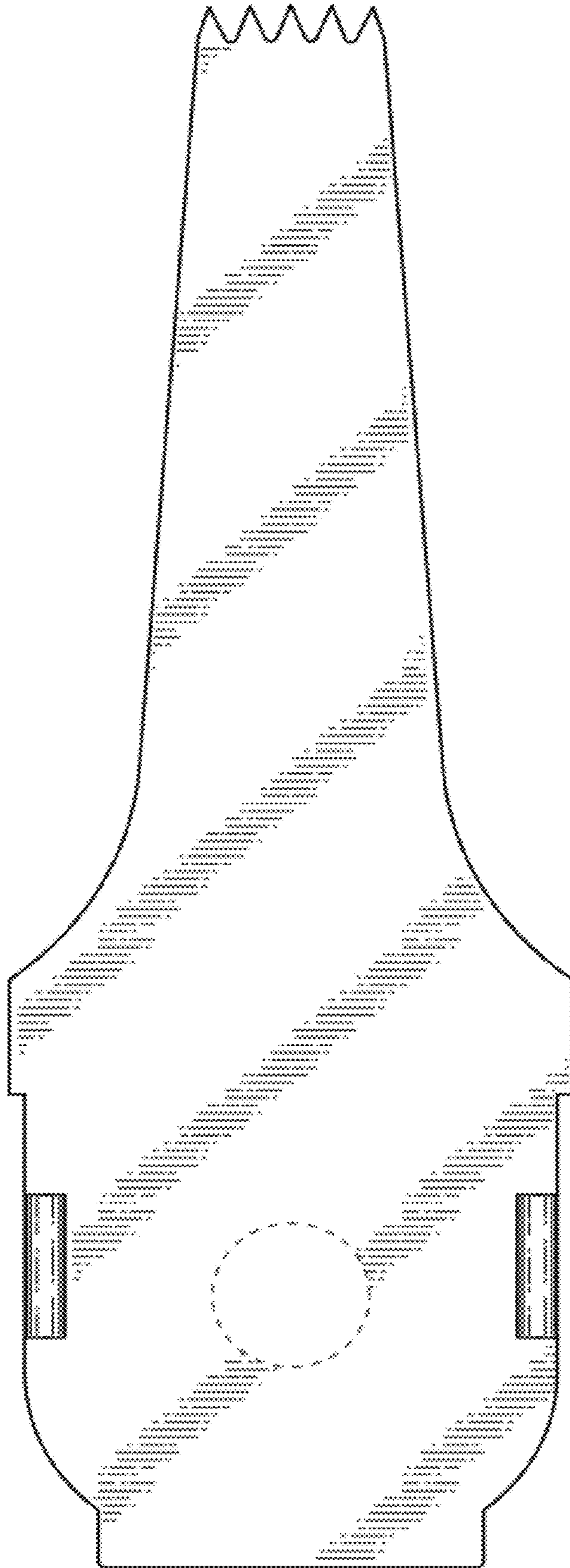


FIG. 3

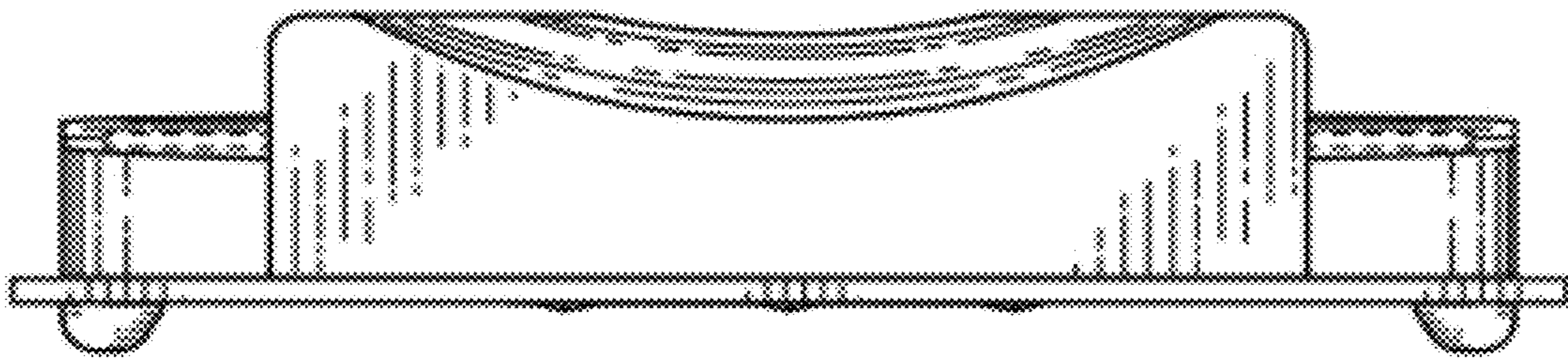


FIG. 4

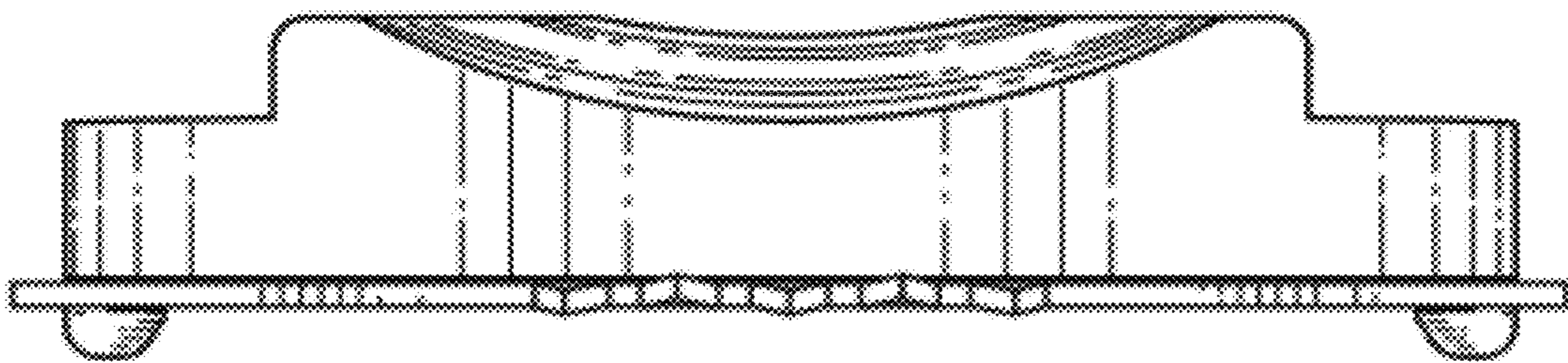


FIG. 5

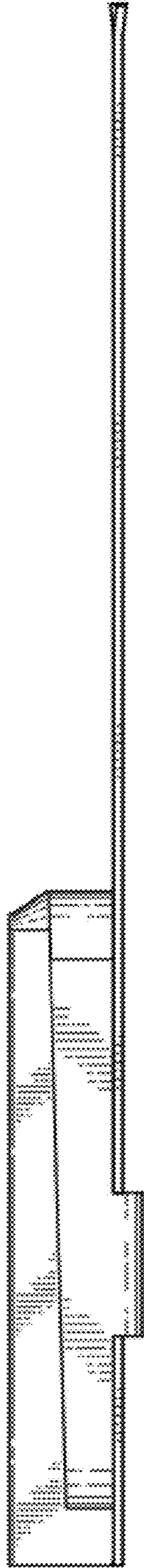


FIG. 6

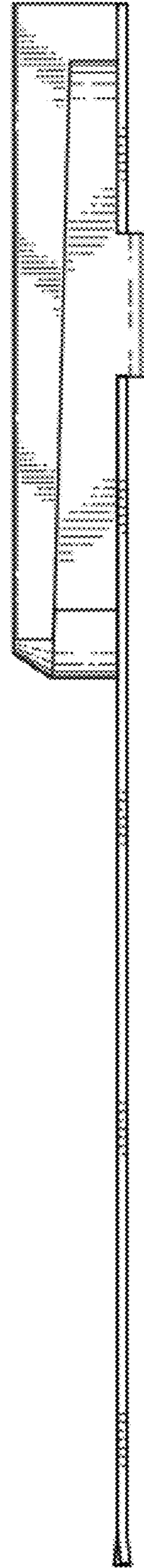


FIG. 7