



US00D665901S

(12) **United States Design Patent**
Linton et al.

(10) **Patent No.:** **US D665,901 S**

(45) **Date of Patent:** **** Aug. 21, 2012**

(54) **OIL BURNER ASSEMBLY**

(75) Inventors: **Paul Linton**, Gresham, OR (US);
Thomas E. Corsine, Gresham, OR (US);
Zhakhary Polovin, Vancouver, WA
(US); **Derek J. Knight**, Vancouver, WA
(US)

(73) Assignee: **Kärcher North America, Inc.**,
Englewood, CO (US)

(**) Term: **14 Years**

(21) Appl. No.: **29/384,373**

(22) Filed: **Jan. 31, 2011**

(51) **LOC (9) Cl.** **23-03**

(52) **U.S. Cl.** **D23/416**

(58) **Field of Classification Search** D23/403-406,
D23/415-419, 421, 422, 499, 343, 345, 347,
D23/349; D7/402, 407, 408, 416, 417; 40/798;
44/520, 530; 52/36.3; 126/25 B, 298, 500,
126/512, 540, 543, 544, 548, 555; 160/DIG. 9;
431/36, 208, 263, 273, 329

See application file for complete search history.

(56) **References Cited**

U.S. PATENT DOCUMENTS

D77,858 S *	2/1929	Powers	D23/416
D94,317 S *	1/1935	Stark	D23/416
D102,059 S *	11/1936	Lattner	D23/416
D109,200 S *	4/1938	Andler	D23/416
D161,881 S *	2/1951	Sorensen	D23/416
D180,459 S *	6/1957	Peters	D23/416
D188,640 S *	8/1960	Reichelderfer	D23/416
D194,254 S *	12/1962	Bourner et al.	D23/416
4,140,476 A *	2/1979	Kaplan	431/265
4,424,793 A	1/1984	Cooperrider		
4,482,291 A	11/1984	Chakrawarti et al.		
5,067,894 A *	11/1991	Bender	431/208
5,184,949 A	2/1993	O'Brien		
D349,956 S *	8/1994	Mulqueen et al.	D23/416
5,662,309 A *	9/1997	Guzorek	251/212
5,961,316 A	10/1999	Wellman et al.		

6,244,855 B1	6/2001	Turk et al.
6,382,959 B2	5/2002	Turk et al.
6,478,577 B1	11/2002	Maricic et al.
6,540,265 B2	4/2003	Turk
6,579,086 B2	6/2003	Fullemann et al.
6,888,390 B2	5/2005	Graham et al.
6,929,465 B1	8/2005	Graham et al.
D540,938 S	4/2007	Graham et al.
D573,248 S	7/2008	Ryan et al.
7,473,868 B2	1/2009	Bohan et al.
D606,027 S	12/2009	Brewster et al.

FOREIGN PATENT DOCUMENTS

CA 1032071 5/1978

OTHER PUBLICATIONS

“Products,” Becket Corporation, <http://www.beckettcorp.com/Product2/productdetail.asp?detailid=11>, printed Jan. 28, 2011, 4 pages.

* cited by examiner

Primary Examiner — Karen S Acker

(74) *Attorney, Agent, or Firm* — Sheridan Ross P.C.

(57) **CLAIM**

The ornamental design for an oil burner assembly, as shown and described.

DESCRIPTION

FIG. 1 is a front perspective view of an oil burner assembly showing our new design;

FIG. 2 is a left perspective view thereof;

FIG. 3 is a rear perspective view thereof;

FIG. 4 is a right perspective view thereof;

FIG. 5 is a rear elevation view thereof;

FIG. 6 is a front elevation view thereof;

FIG. 7 is a left elevation view thereof;

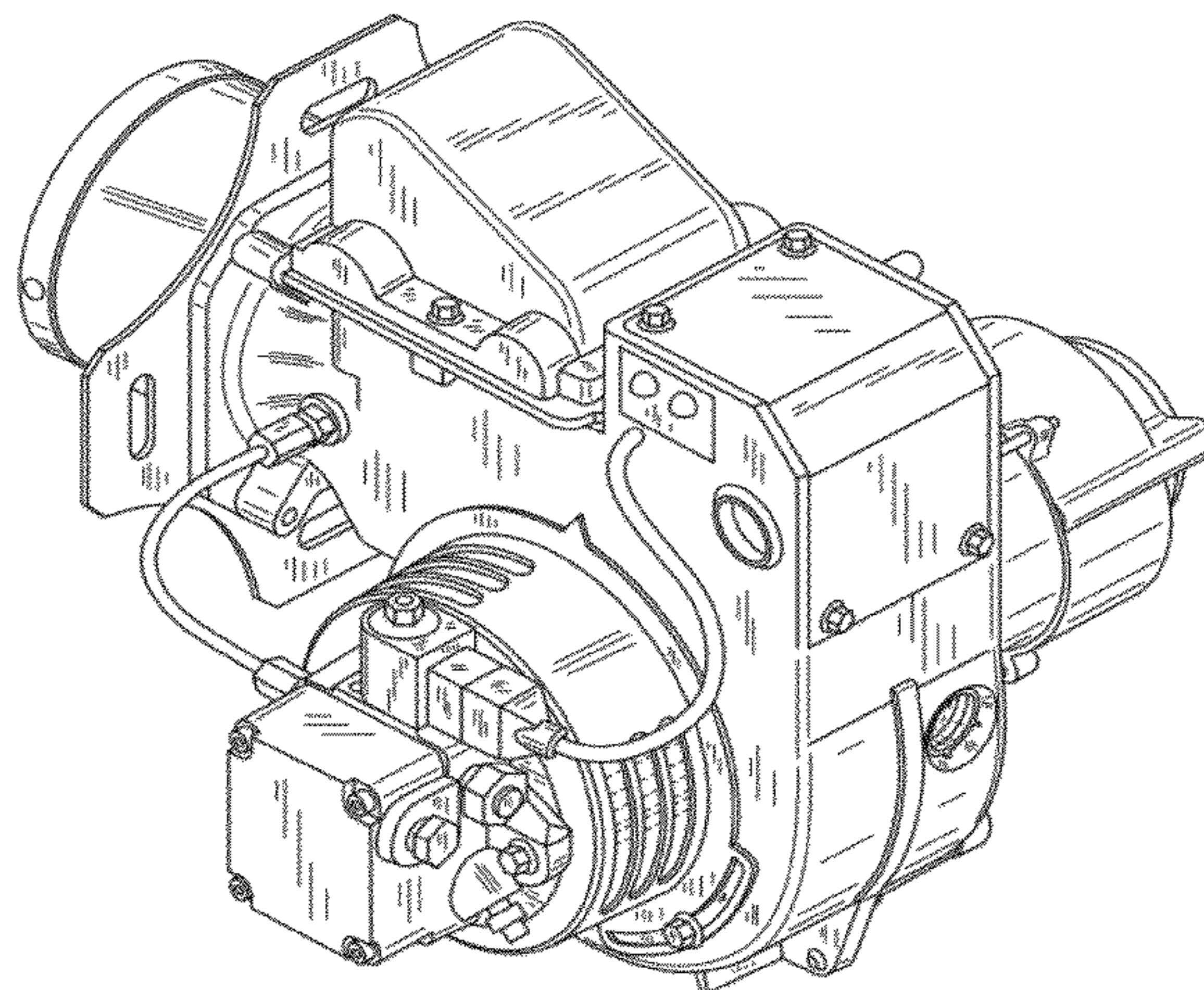
FIG. 8 is a right elevation view thereof;

FIG. 9 is a top plan view thereof; and,

FIG. 10 is a bottom plan view thereof.

The broken lines in the drawings represent environmental subject matter and form no part of the claim.

1 Claim, 10 Drawing Sheets



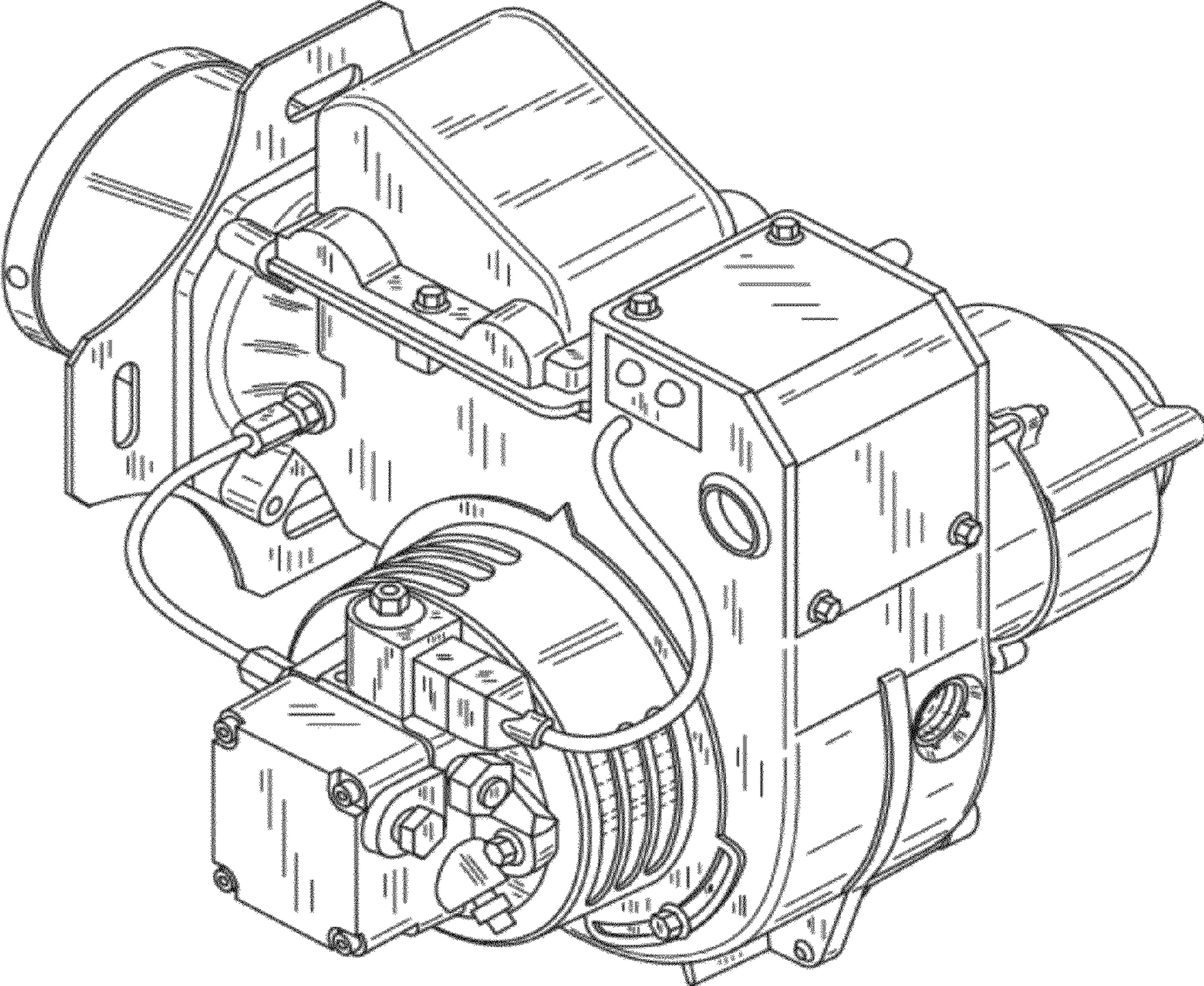


FIG.1

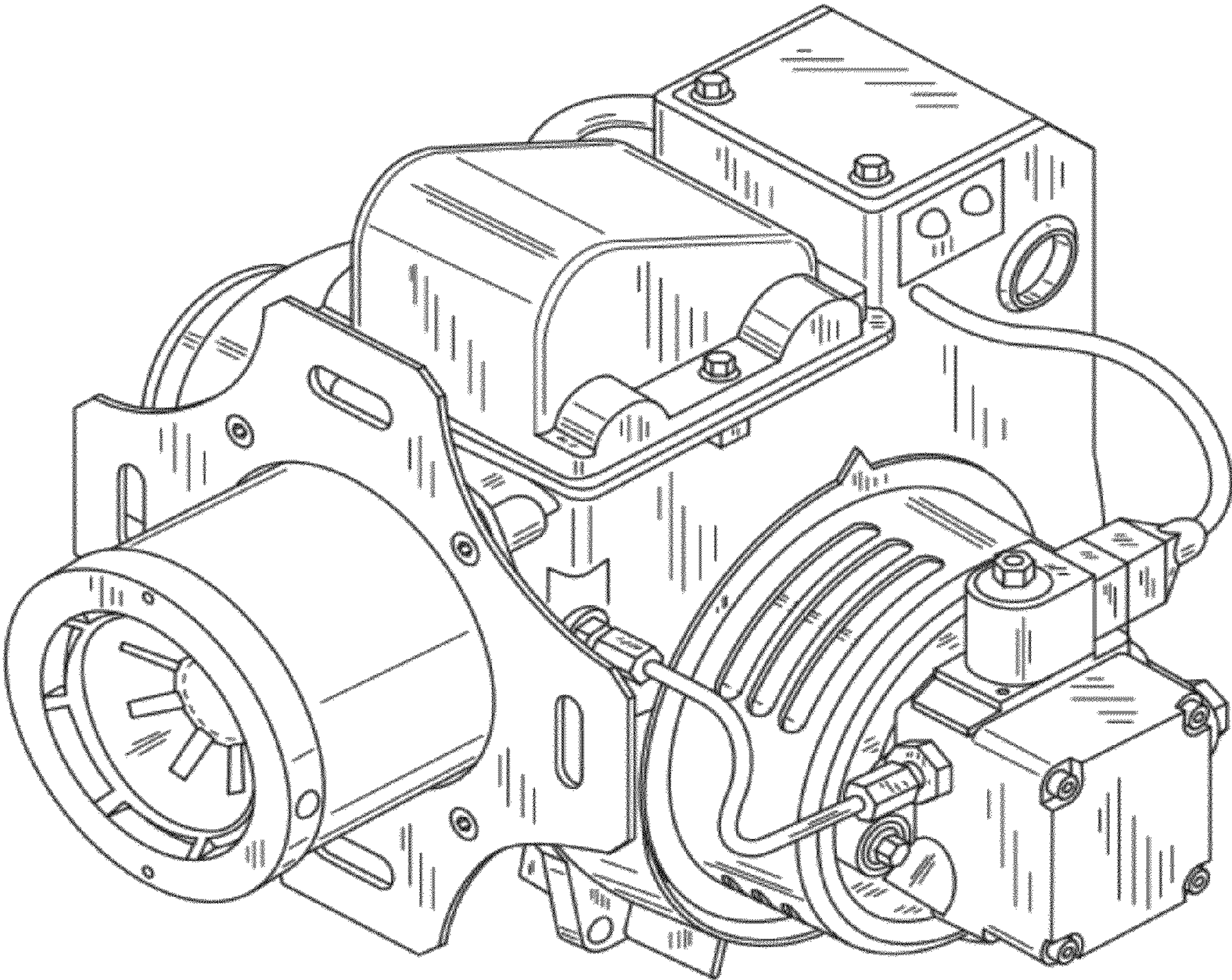


FIG.2

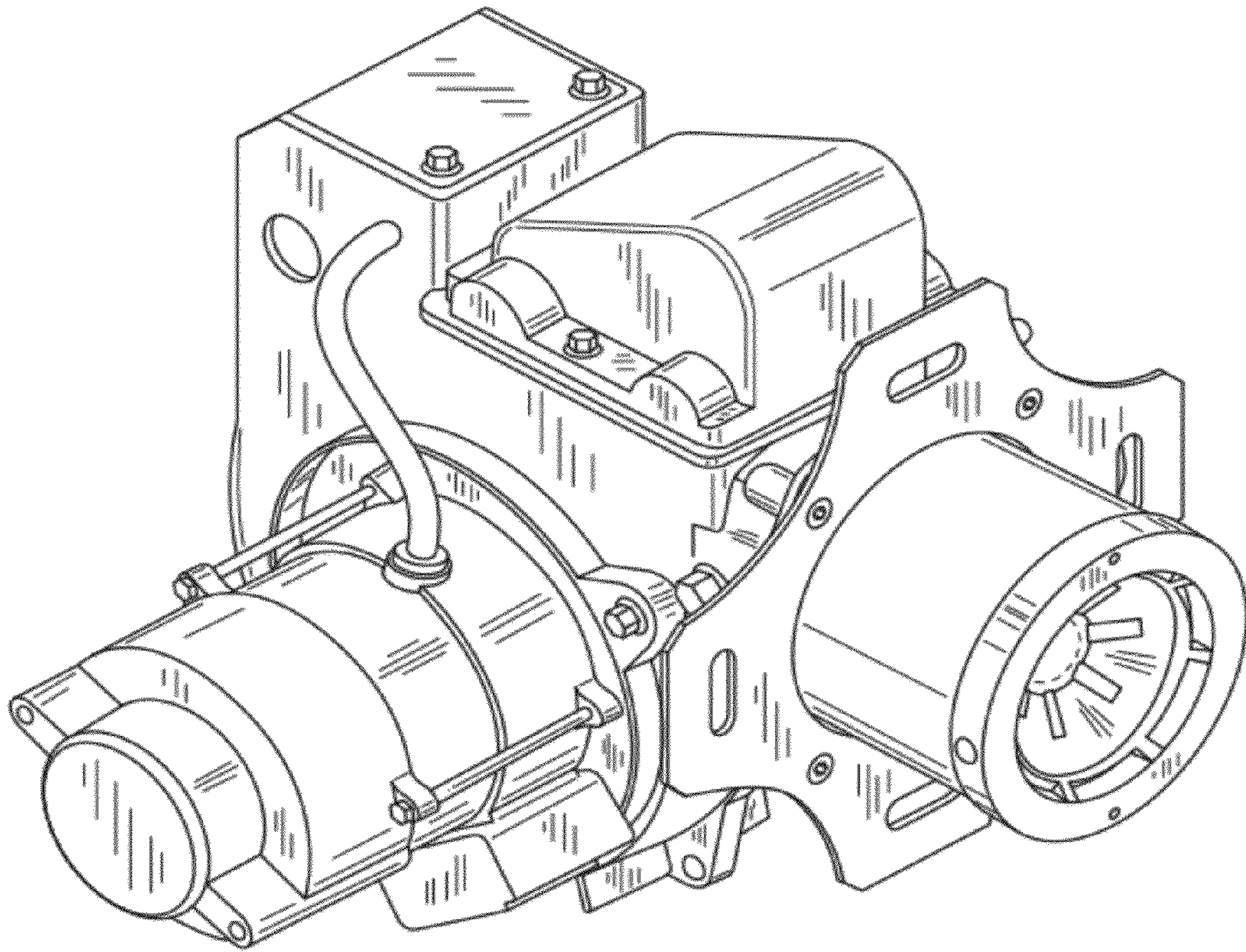


FIG.3

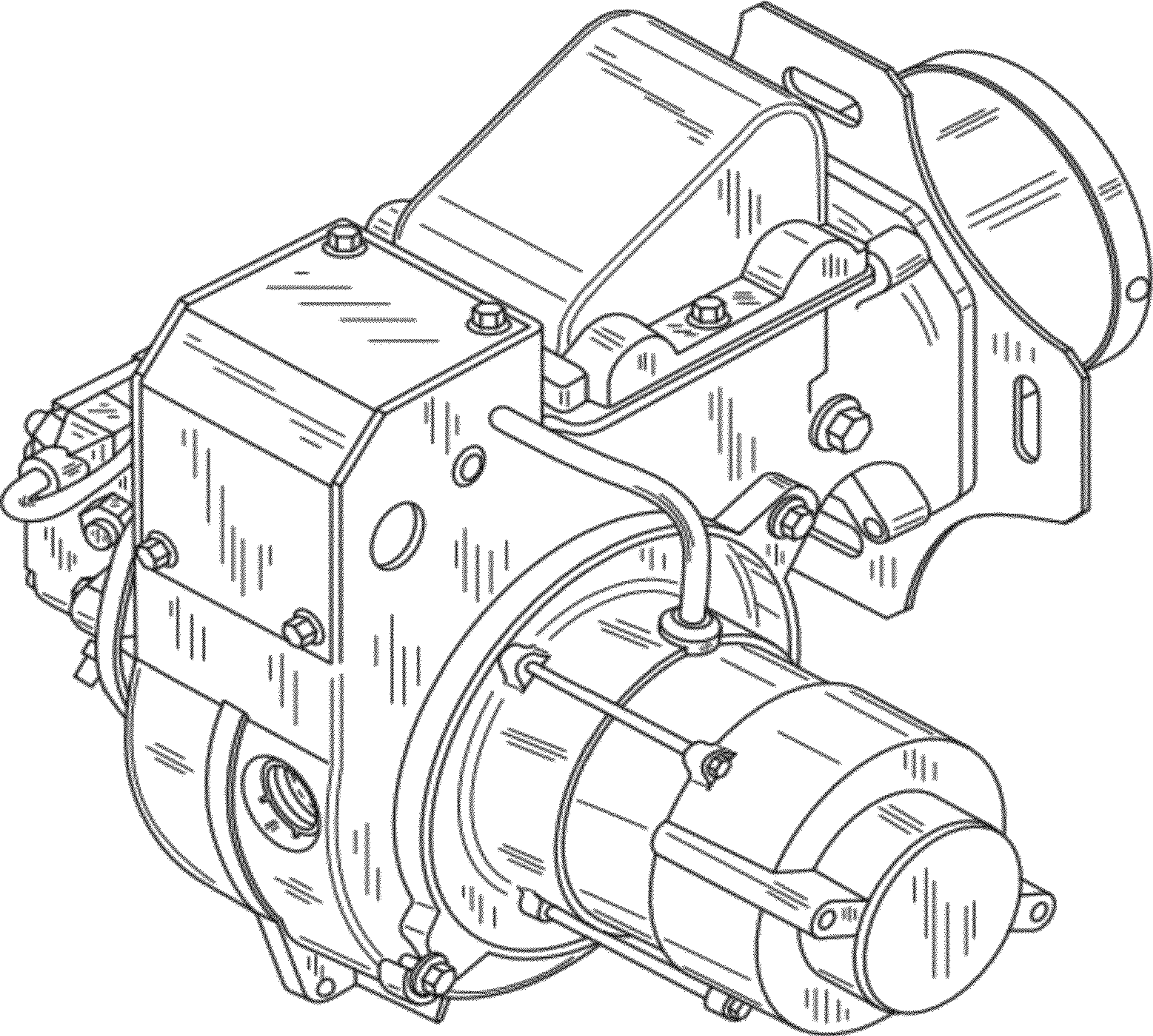


FIG.4

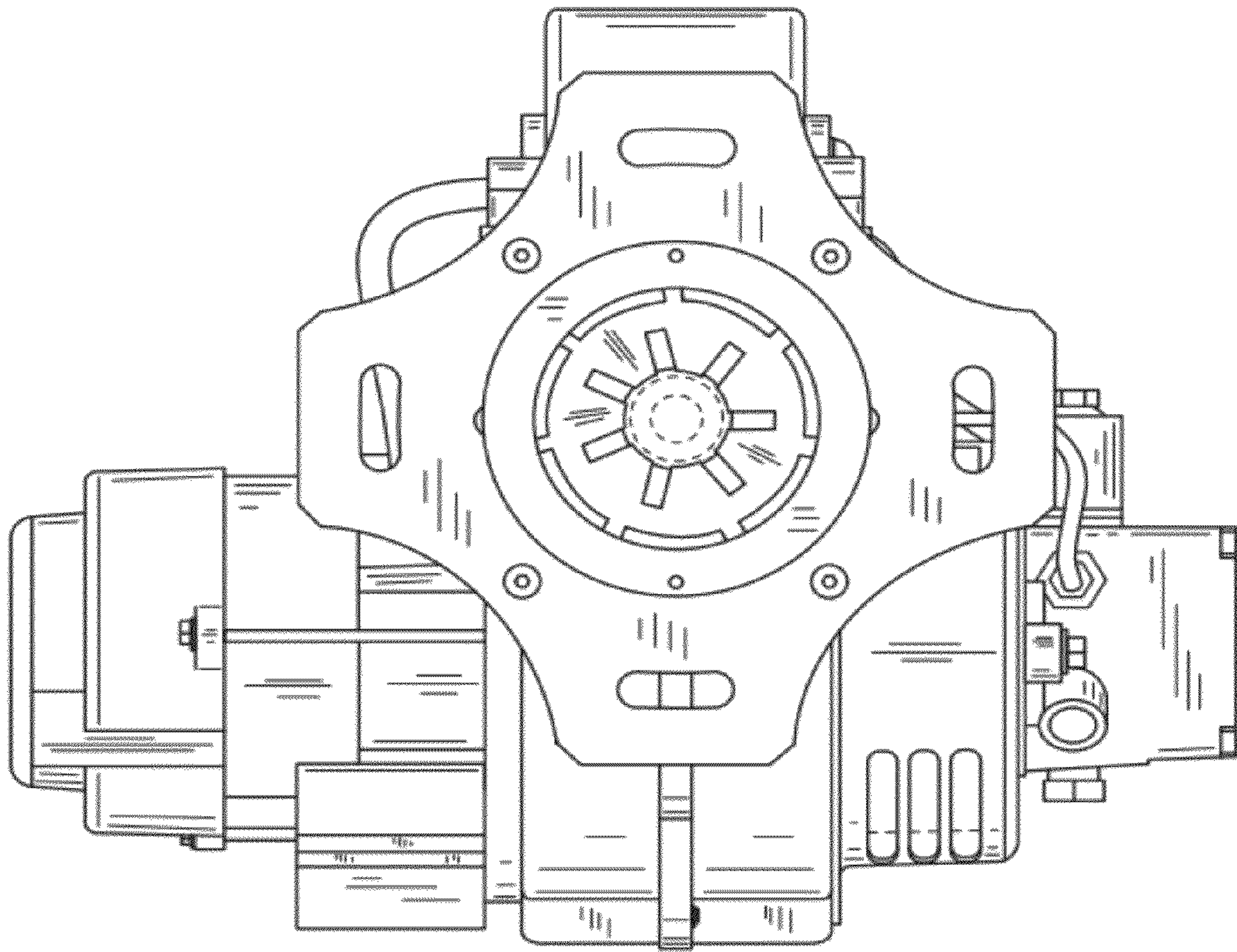


FIG.5

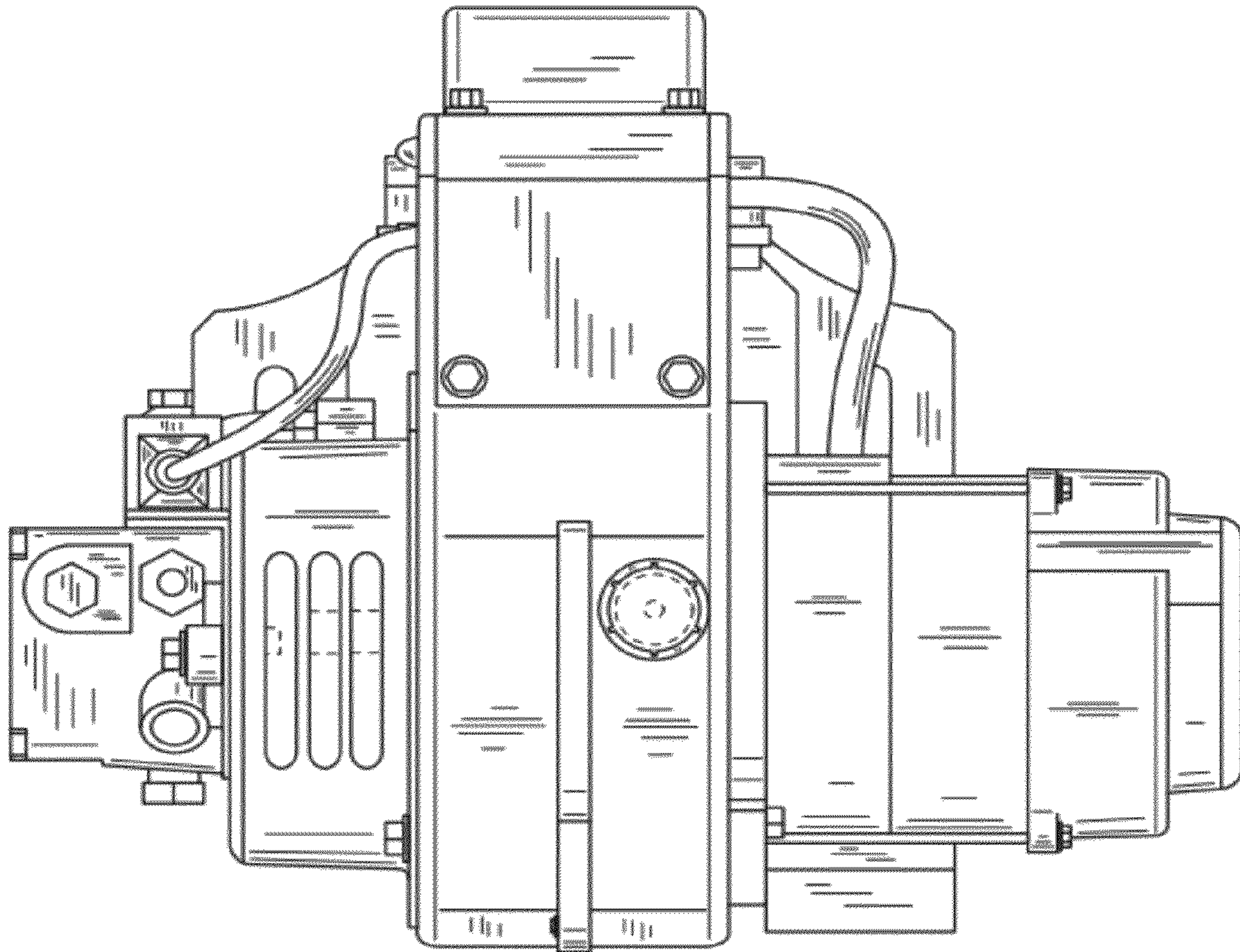


FIG.6

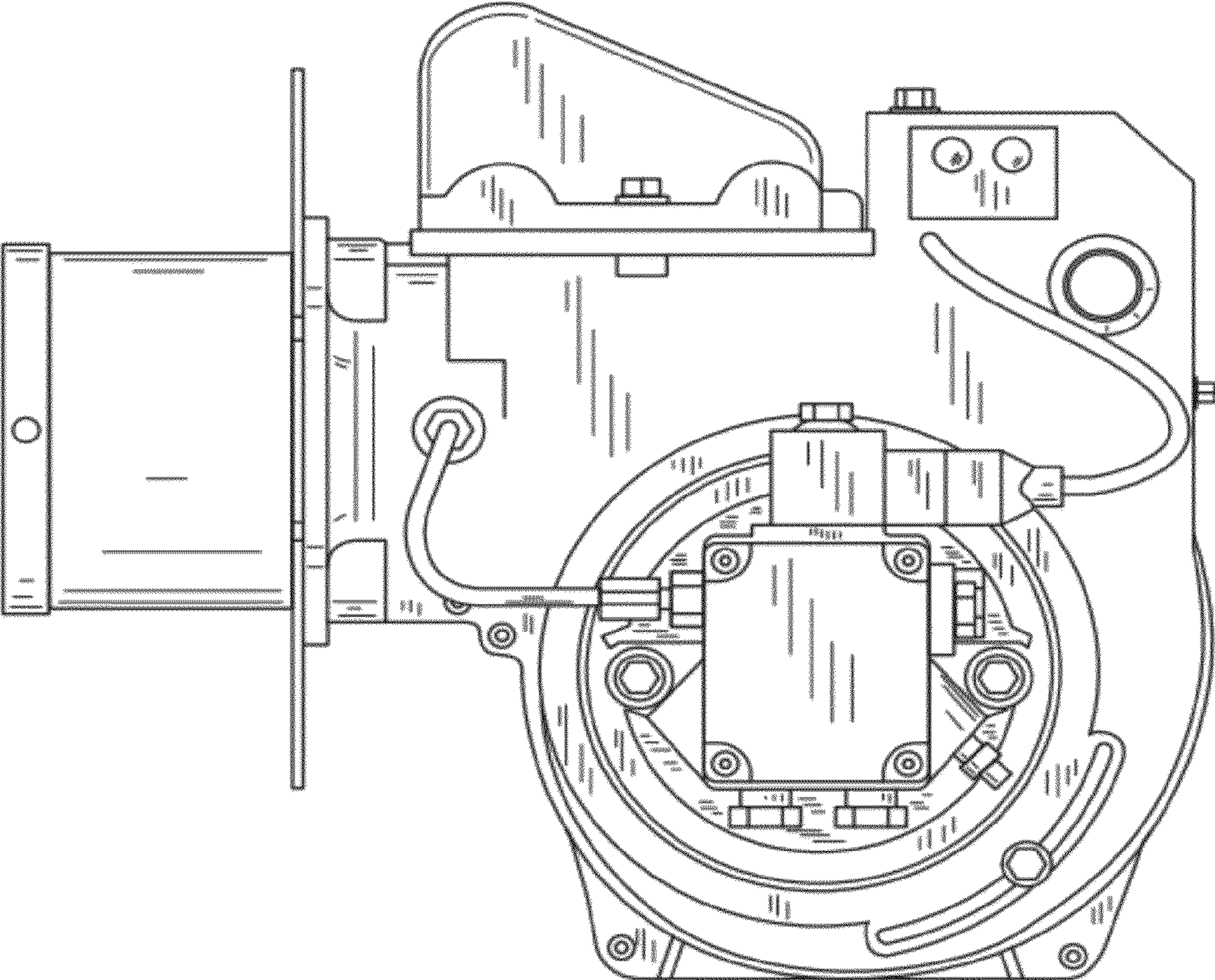


FIG.7

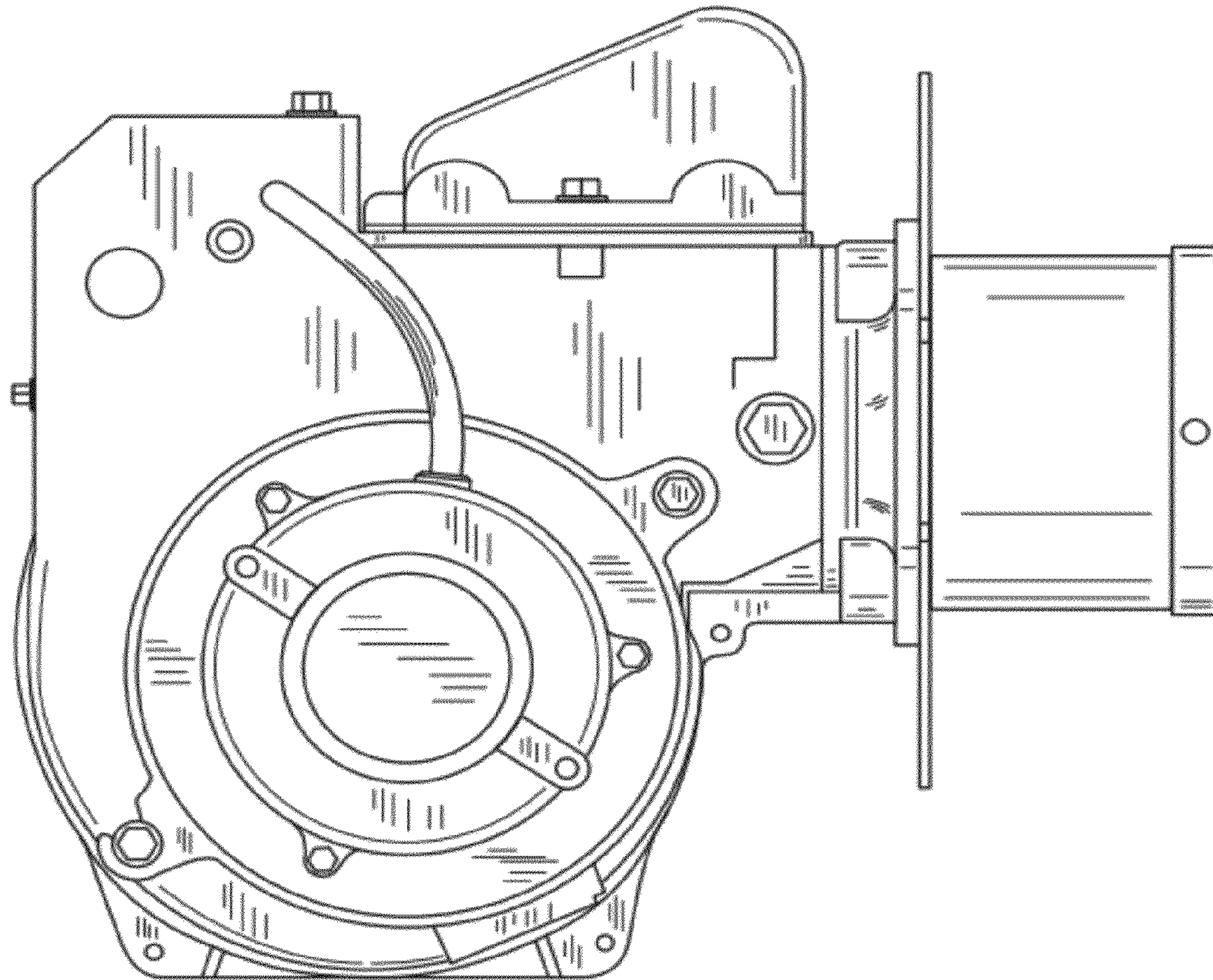


FIG.8

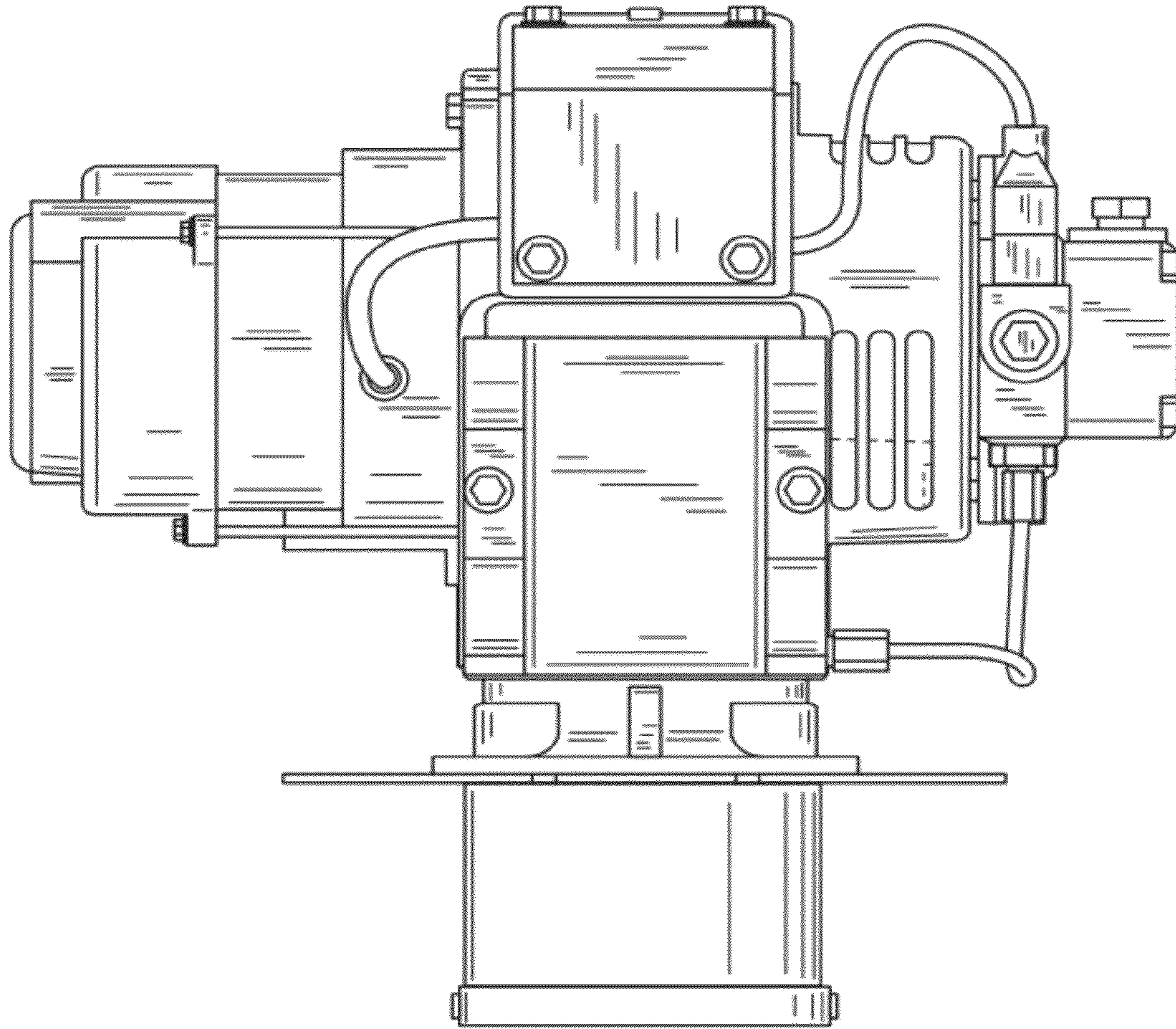


FIG.9

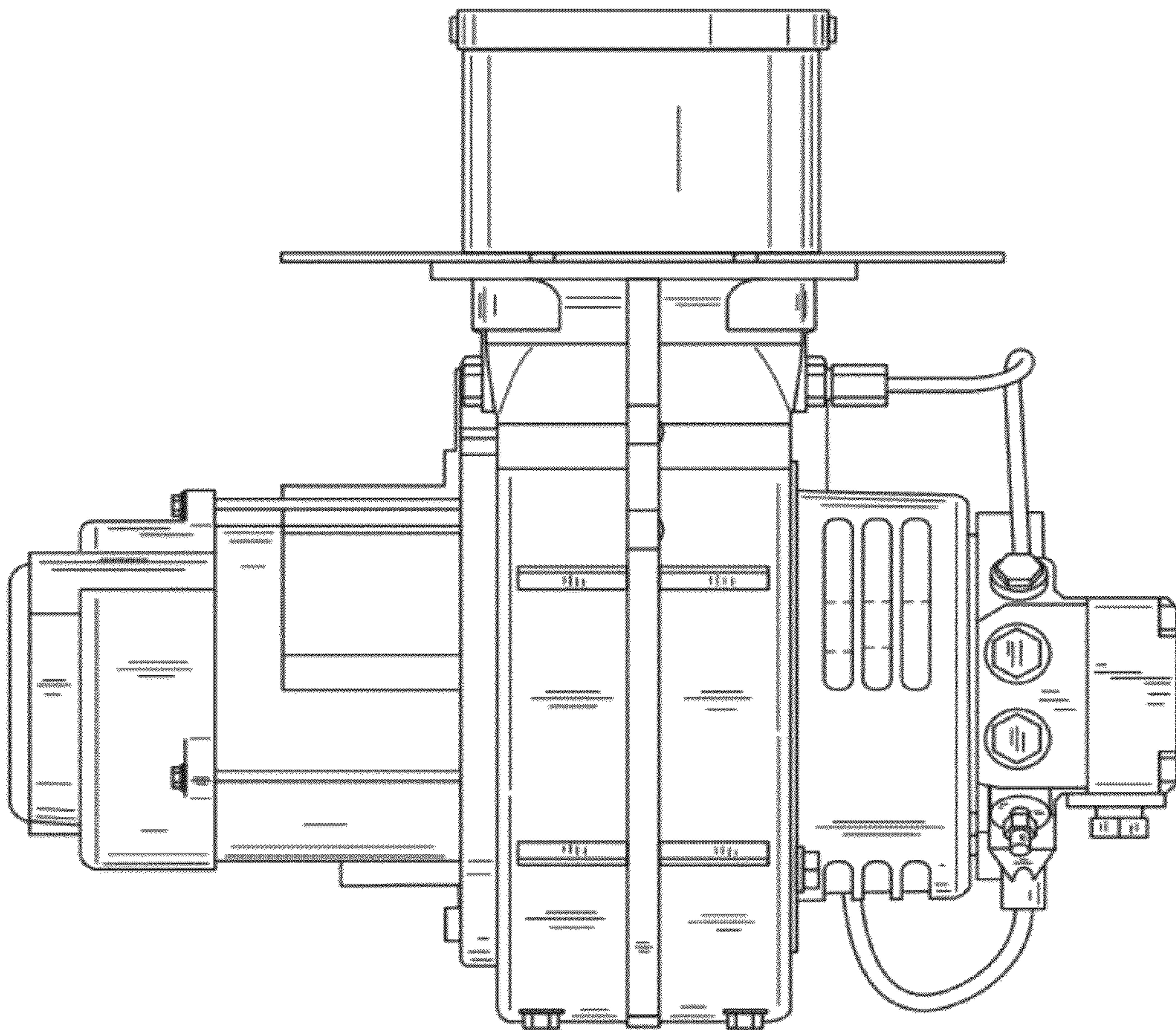


FIG.10