



US00D665895S

(12) **United States Design Patent**
Rasmussen

(10) **Patent No.:** **US D665,895 S**

(45) **Date of Patent:** **** Aug. 21, 2012**

(54) **ROTOR FOR A VENTILATOR WITH SIX BLADES**

D559,968 S * 1/2008 Lee et al. D23/379
D566,829 S * 4/2008 Parker et al. D23/411
D645,134 S * 9/2011 Lee et al. D23/411

(75) Inventor: **Martin Rasmussen**, Naestved (DK)

* cited by examiner

(73) Assignee: **Novenco A/S**

Primary Examiner — Raphael Barkai

(**) Term: **14 Years**

Assistant Examiner — Randall H Gholson

(21) Appl. No.: **29/359,477**

(74) *Attorney, Agent, or Firm* — Fish & Richardson P.C.

(22) Filed: **Apr. 12, 2010**

(57) **CLAIM**
The ornamental design for rotor for a ventilator with six blades, substantially as shown and described.

(30) **Foreign Application Priority Data**

Oct. 13, 2009 (EP) 001622945

(51) **LOC (9) Cl.** **23-04**

(52) **U.S. Cl.** **D23/379**

(58) **Field of Classification Search** D23/377,
D23/379, 385, 411, 413; 23/379, 385; 416/5
See application file for complete search history.

DESCRIPTION

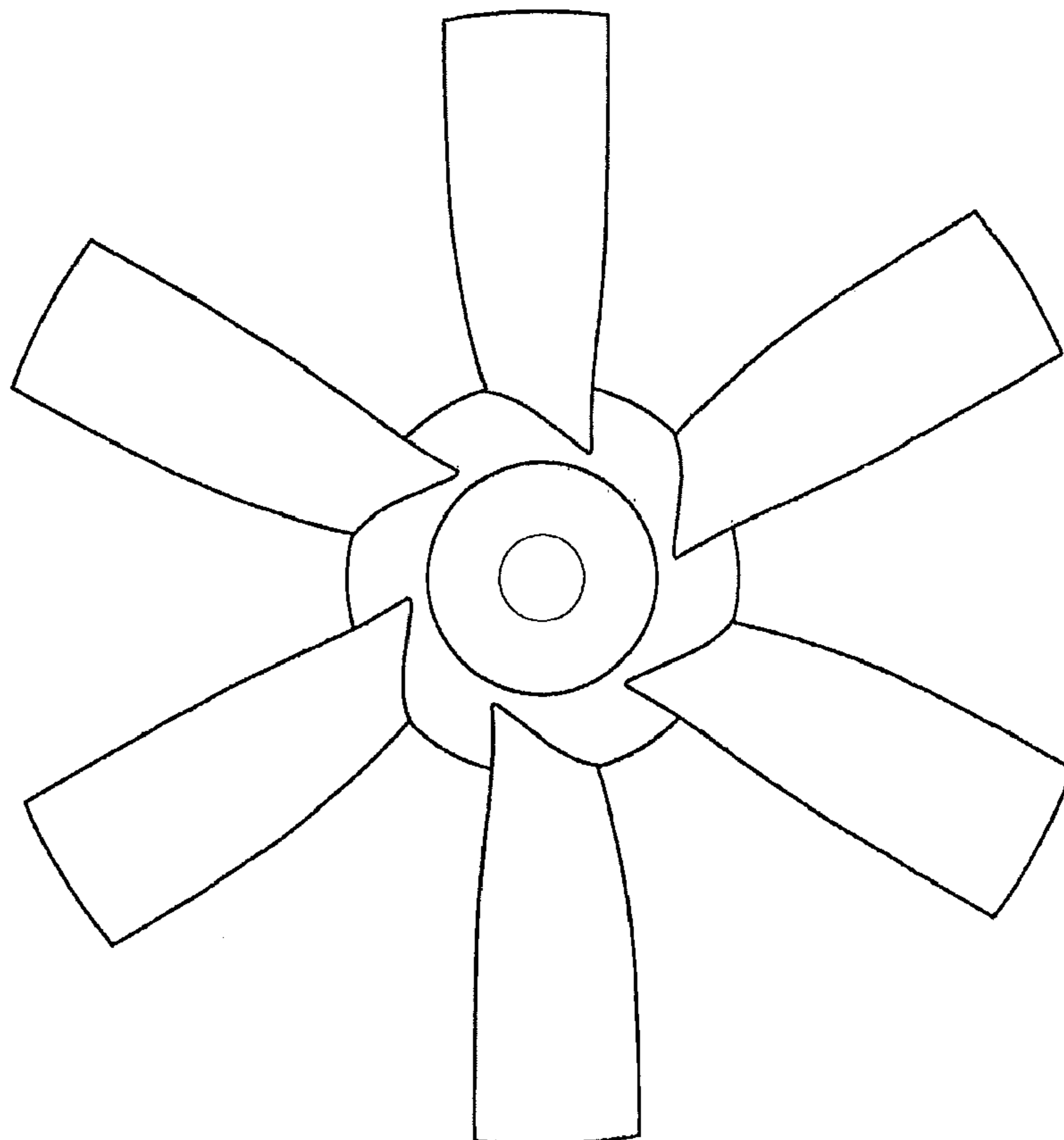
FIG. 1 is a front view of a rotor for a ventilator with six blades according to the present design;
FIG. 2 is a right side view thereof;
FIG. 3 is a top side view thereof;
FIG. 4 is a bottom view thereof;
FIG. 5 is a perspective view thereof; and,
FIG. 6 is a perspective view thereof.
The broken lines which define the bounds of the claimed design form no part thereof.

(56) **References Cited**

U.S. PATENT DOCUMENTS

D507,343 S * 7/2005 Chiu et al. D23/379
D556,892 S * 12/2007 Chen D23/413
D558,324 S * 12/2007 Hong D23/379

1 Claim, 6 Drawing Sheets



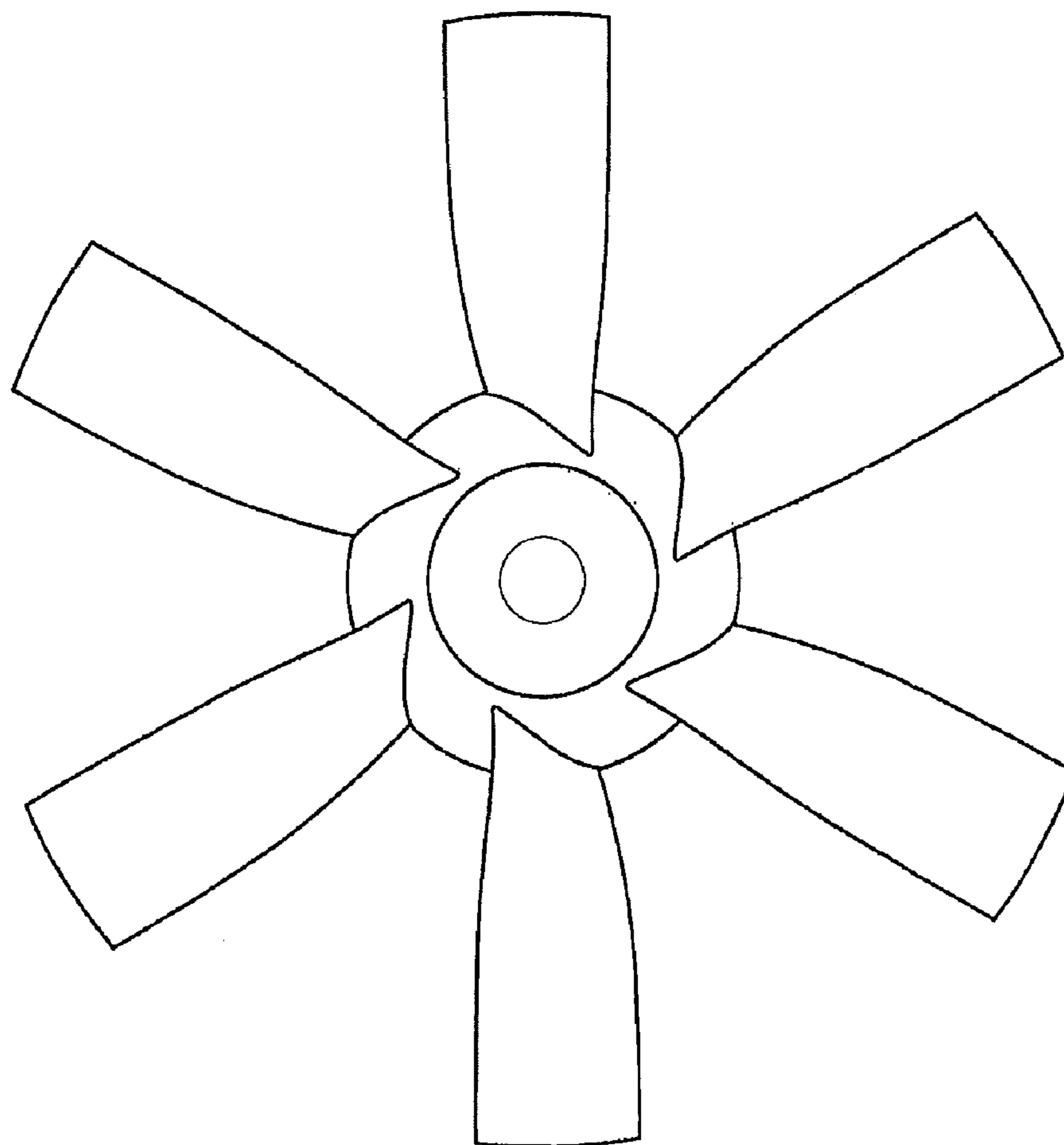


FIG. 1

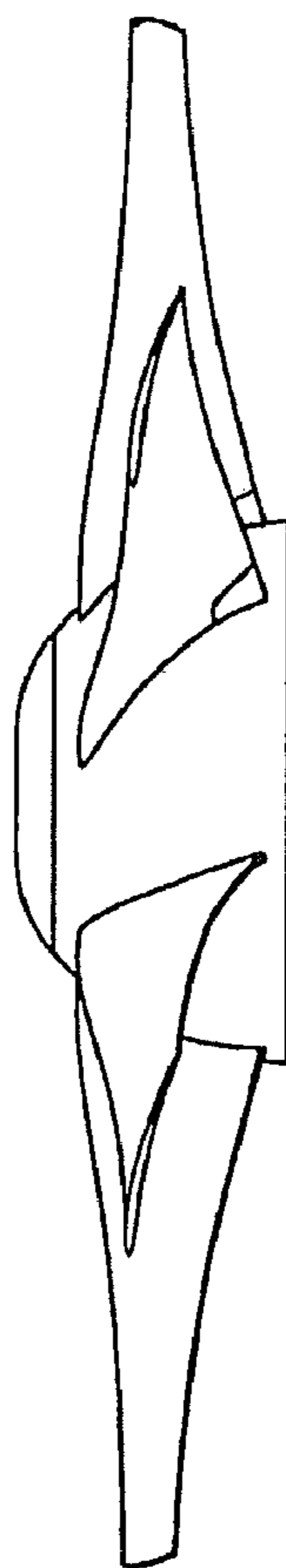


FIG. 2

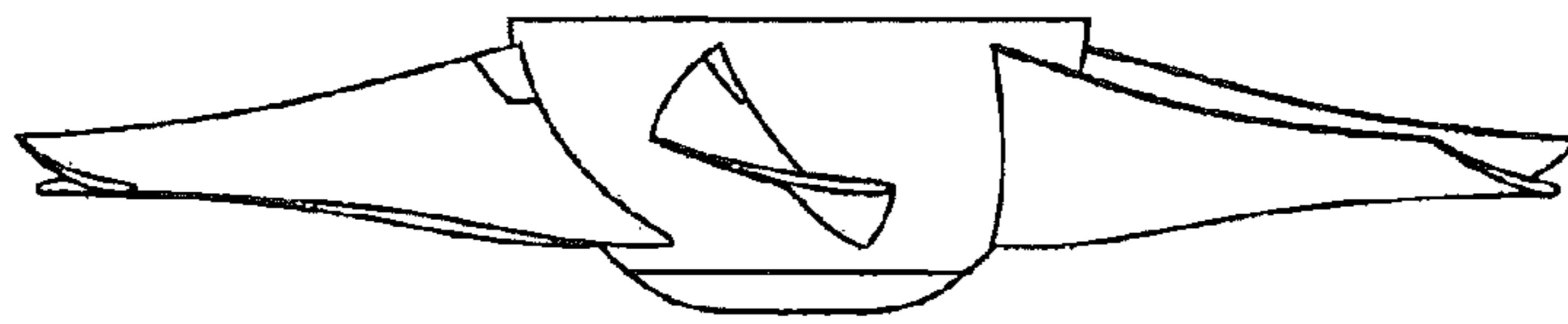


FIG. 3

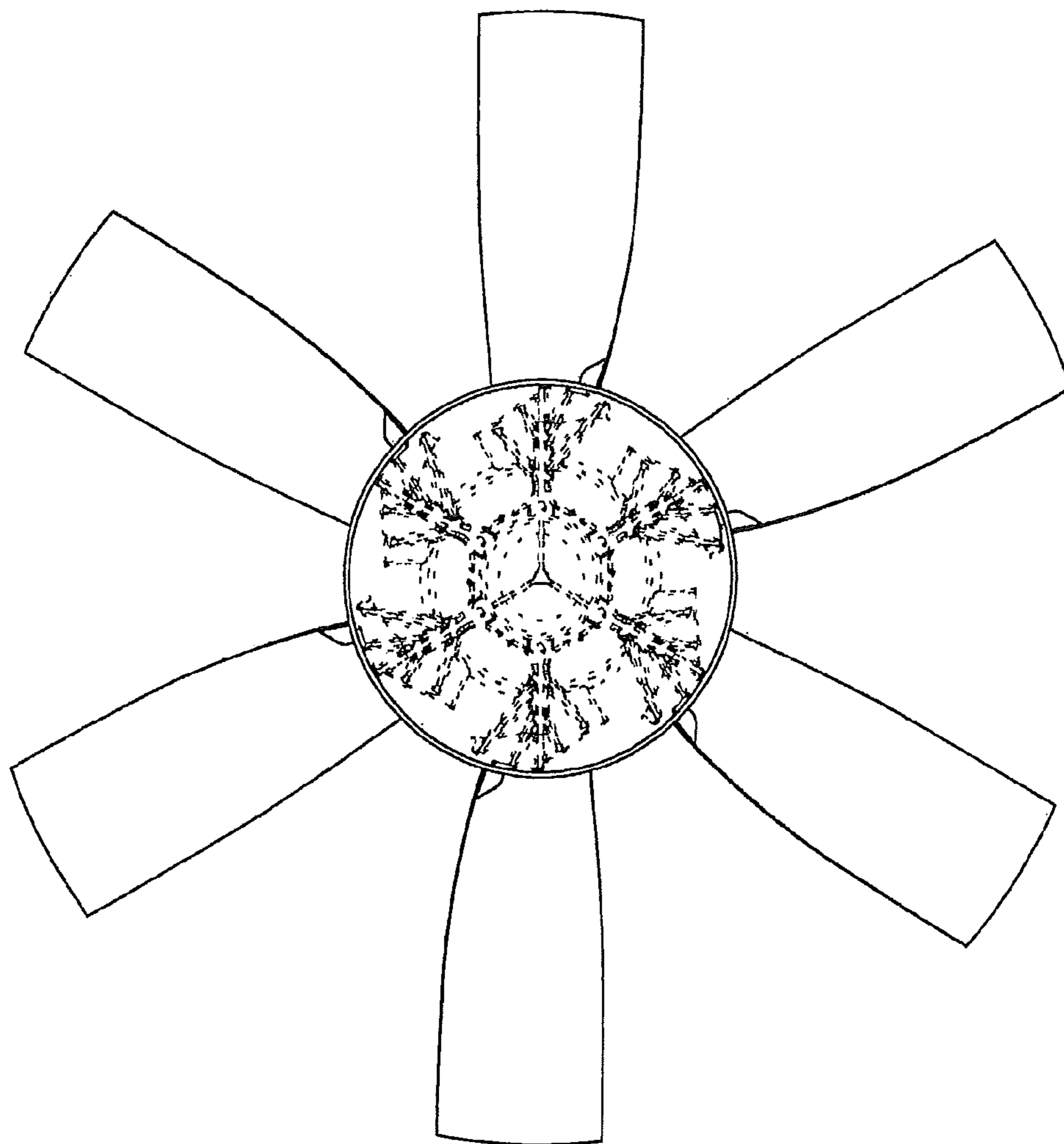


FIG. 4

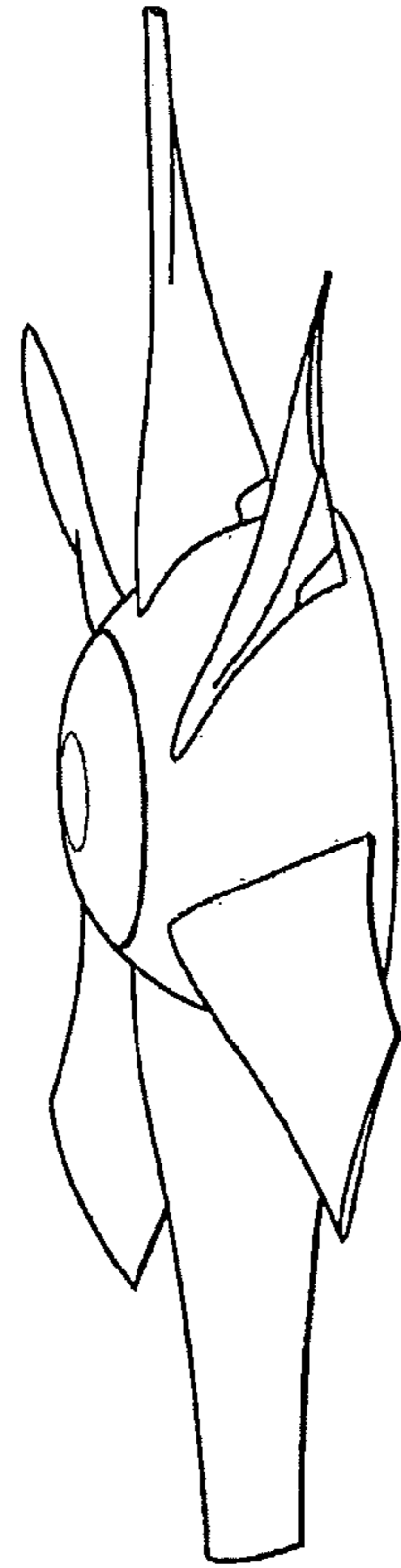


FIG. 5

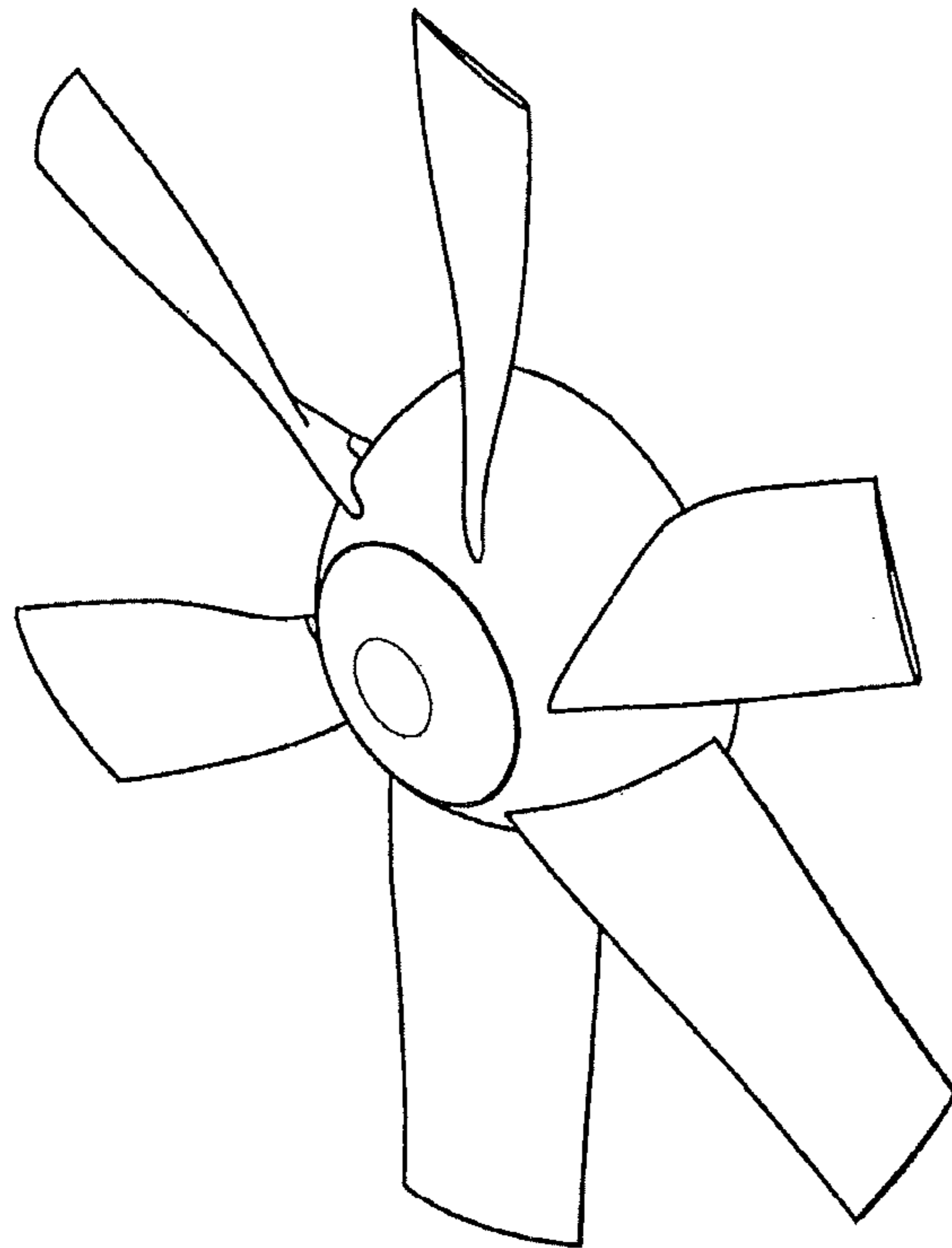


FIG. 6