

US00D665894S

(12) **United States Design Patent**
Inada et al.

(10) **Patent No.:** **US D665,894 S**
(45) **Date of Patent:** **** Aug. 21, 2012**

(54) **HOUSING FOR A FAN MOTOR**

FOREIGN PATENT DOCUMENTS

(75) Inventors: **Naoya Inada**, Nagano Prefecture (JP);
Toshiyuki Nakamura, Nagano
Prefecture (JP); **Toshiki Ogawara**,
Nagano Prefecture (JP)

JP 2010-007545 1/2010

* cited by examiner

Primary Examiner — Raphael Barkai
Assistant Examiner — Randall Gholson

(73) Assignee: **Sanyo Denki Co., Ltd.**, Tokyo (JP)

(74) *Attorney, Agent, or Firm* — Rankin, Hill & Clark LLP

(**) Term: **14 Years**

(57) **CLAIM**

We claim the ornamental design for a housing for a fan motor,
as shown and described.

(21) Appl. No.: **29/377,251**

(22) Filed: **Oct. 19, 2010**

DESCRIPTION

(30) **Foreign Application Priority Data**

Apr. 20, 2010 (JP) 2010-009927

(51) **LOC (9) Cl.** **23-04**

(52) **U.S. Cl.** **D23/370**

(58) **Field of Classification Search** D23/370,
D23/379, 383; 415/214.1, 213.1, 60, 66,
415/68; 361/695

See application file for complete search history.

FIG. 1 is a front side elevation view of a housing for a fan
motor;

FIG. 2 is a rear side elevation view thereof;

FIG. 3 is a right side elevation view thereof;

FIG. 4 is a left side elevation view thereof;

FIG. 5 is a top plan view thereof;

FIG. 6 is a bottom plan view thereof;

FIG. 7 is a cross sectional view as taken along 7-7 line in FIG.
1;

FIG. 8 is a cross sectional view as taken along 8-8 line in FIG.
1;

FIG. 9 is a cross sectional view as taken along 9-9 line in FIG.
1;

FIG. 10 is a cross sectional view as taken along 10-10 line in
FIG. 1; and,

FIG. 11 is a perspective view thereof.

The broken-line disclosure in the views is understood to
represent portions of the article in which the claimed design is
embodied, but which form no part of the claimed design.

Where a broken-line abuts a claimed surface, that broken line
is understood to represent an unclaimed boundary between
claimed and unclaimed surfaces.

(56) **References Cited**

U.S. PATENT DOCUMENTS

5,407,324	A *	4/1995	Starnes et al.	415/208.5
6,386,843	B1 *	5/2002	Umeda et al.	417/423.14
D487,800	S *	3/2004	Chen et al.	D23/370
7,329,091	B2 *	2/2008	Yan et al.	415/191
7,334,988	B2 *	2/2008	Horng et al.	415/211.2
D619,697	S *	7/2010	Uchikawa	D23/370
7,802,965	B2 *	9/2010	Huang et al.	415/165
7,828,519	B2 *	11/2010	Ishihara et al.	415/191
D637,706	S *	5/2011	Kawai et al.	D23/370
2003/0202879	A1 *	10/2003	Huang et al.	415/220
2003/0219339	A1 *	11/2003	Huang et al.	415/116
2007/0242430	A1 *	10/2007	Liu et al.	361/695

1 Claim, 11 Drawing Sheets

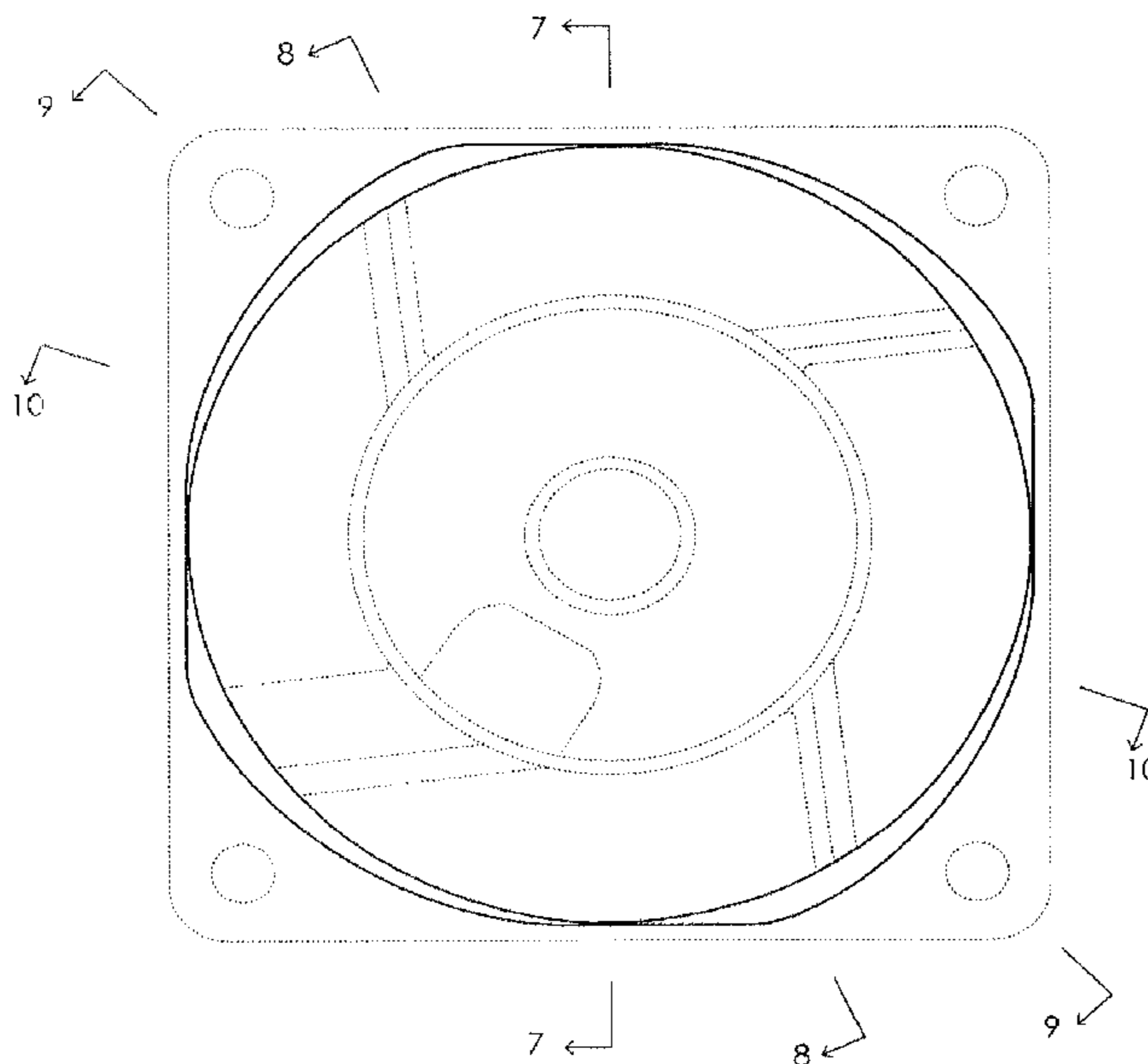


FIG. 1

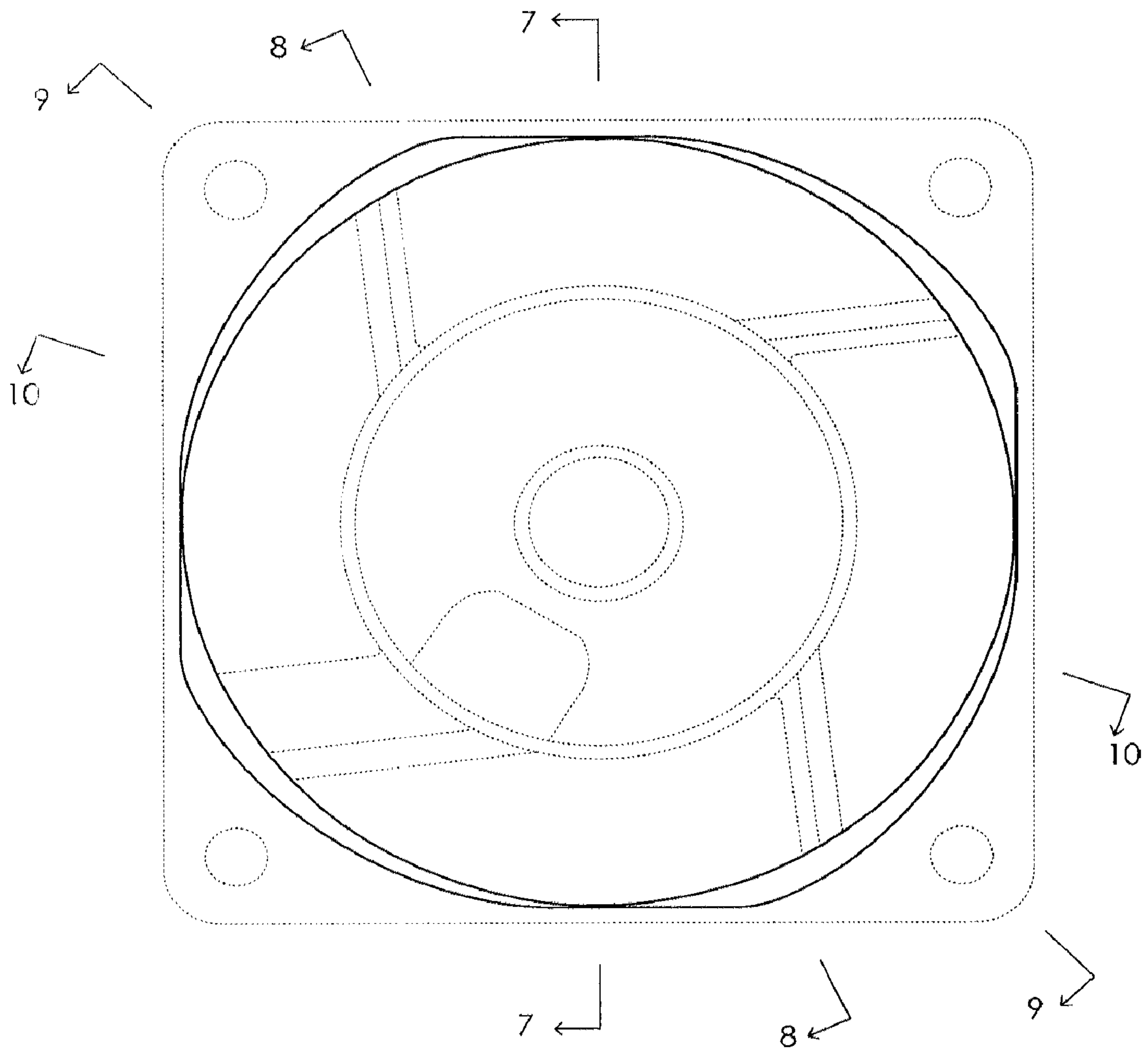


FIG.2

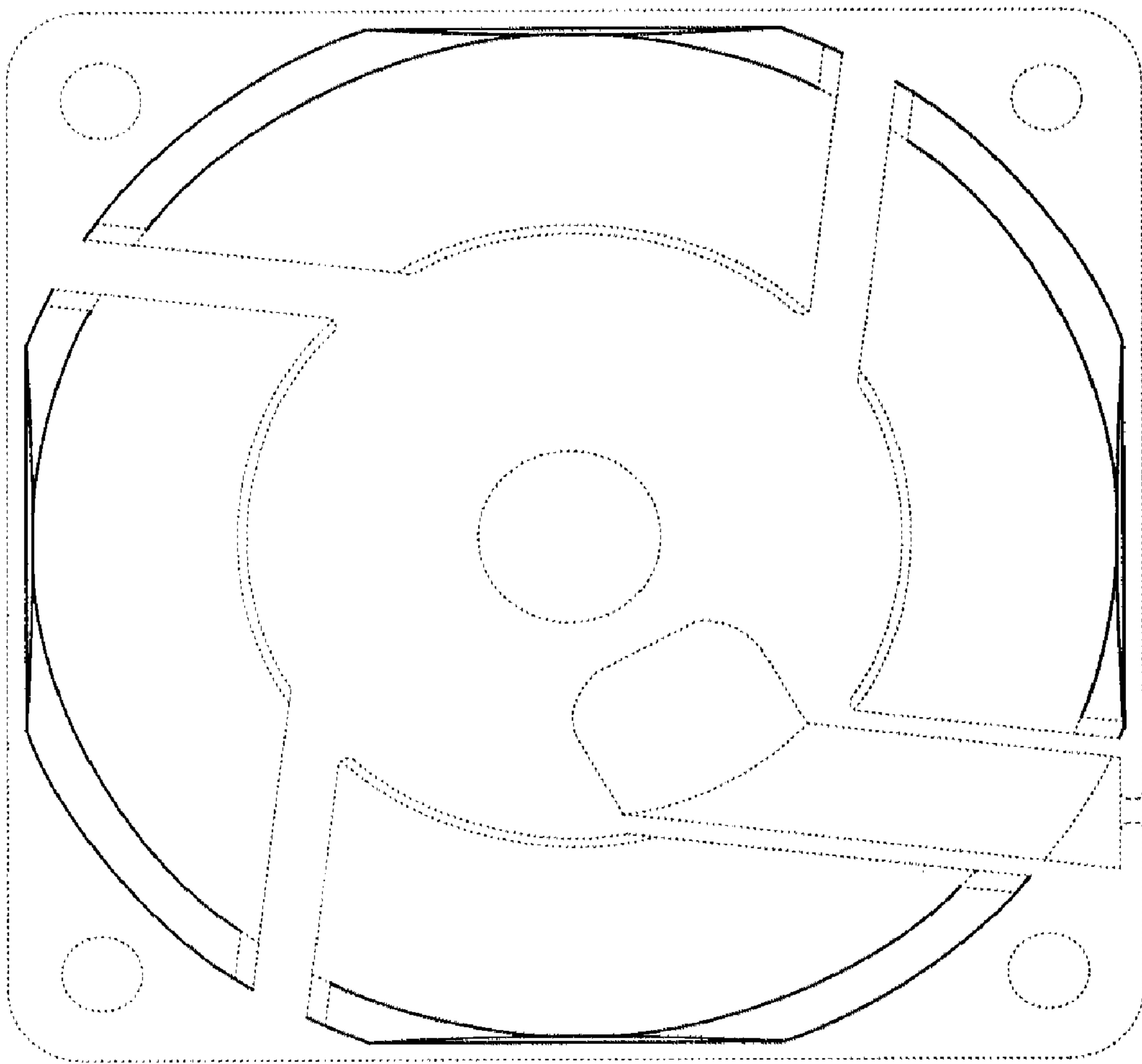


FIG. 3

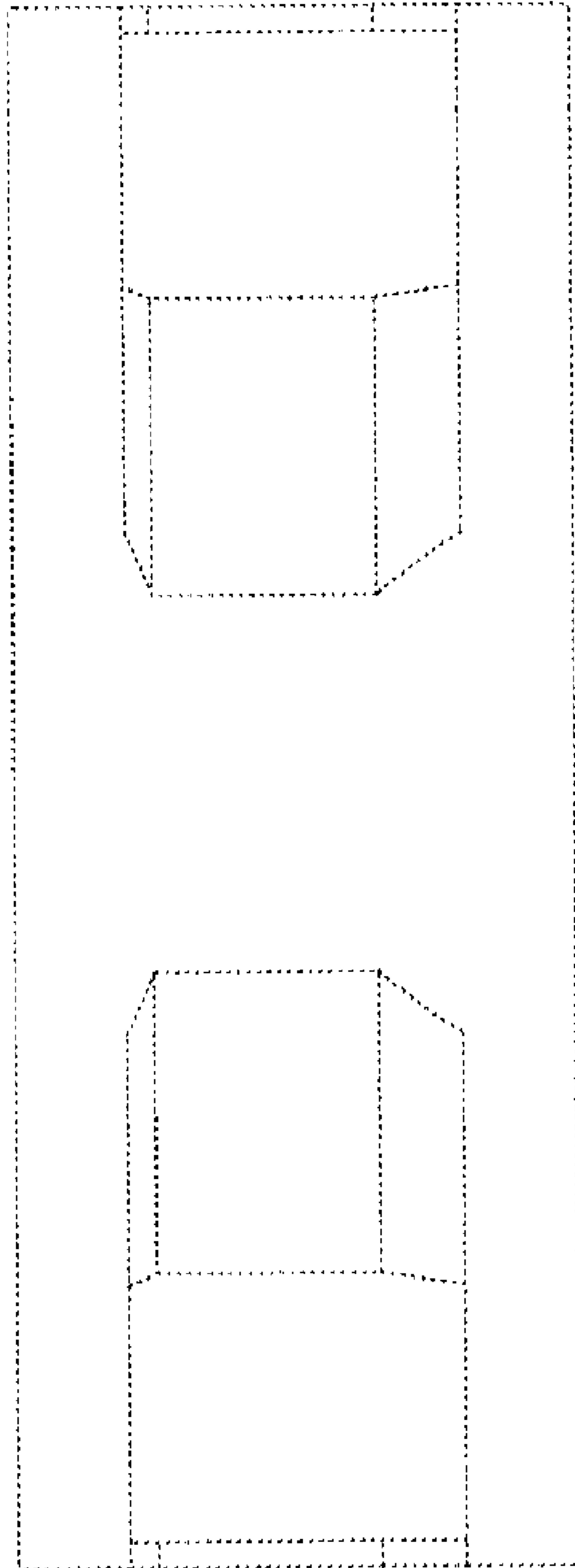


FIG. 4

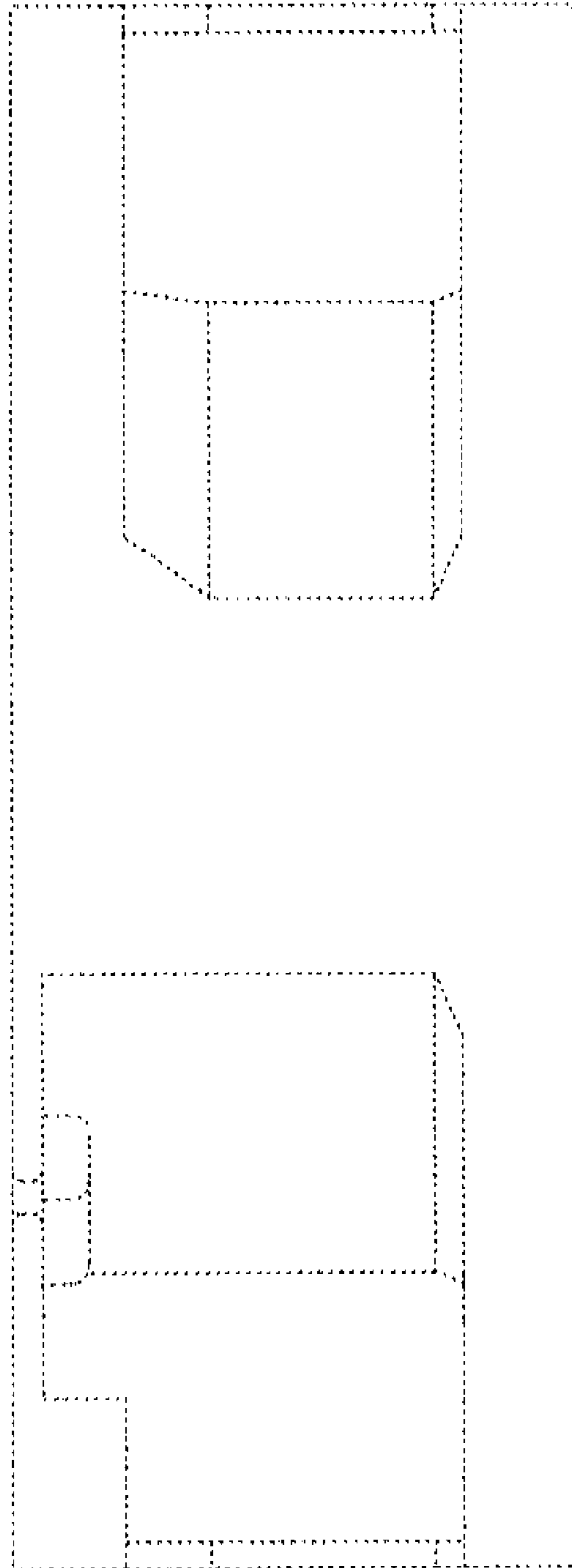


FIG. 5

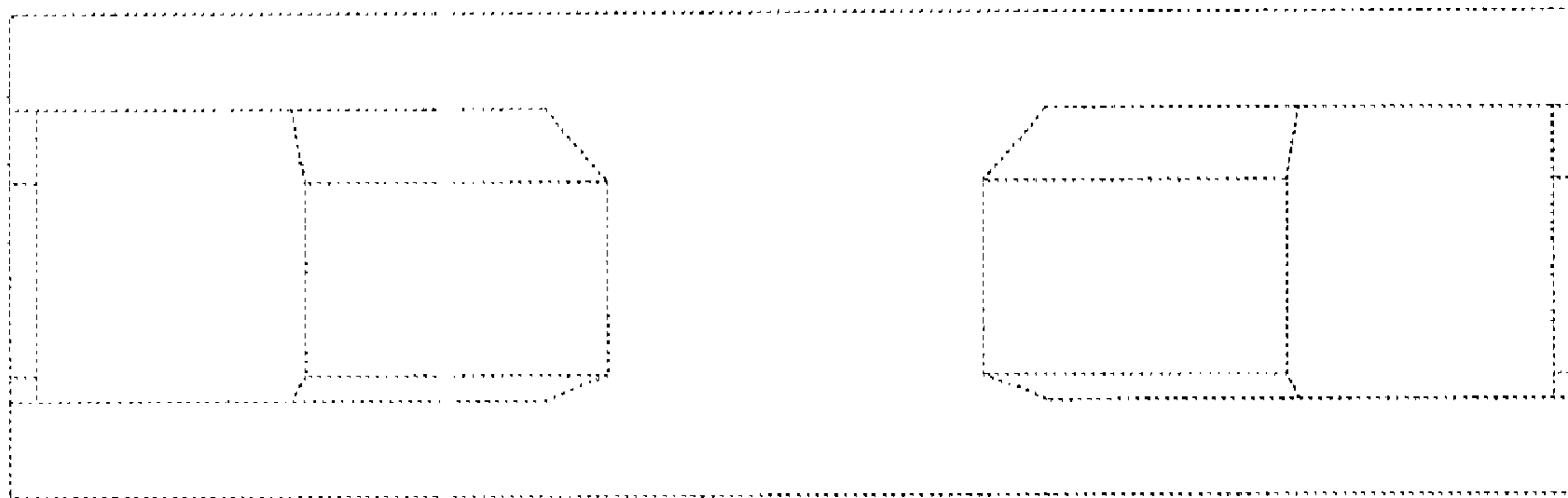


FIG. 6

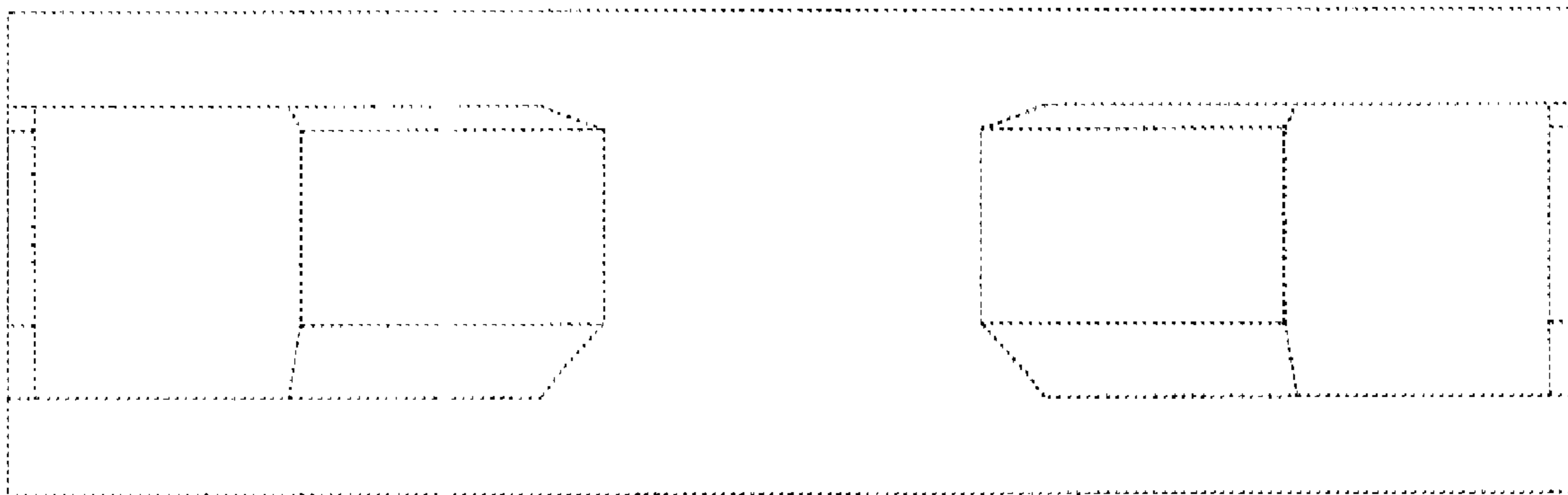


FIG.7

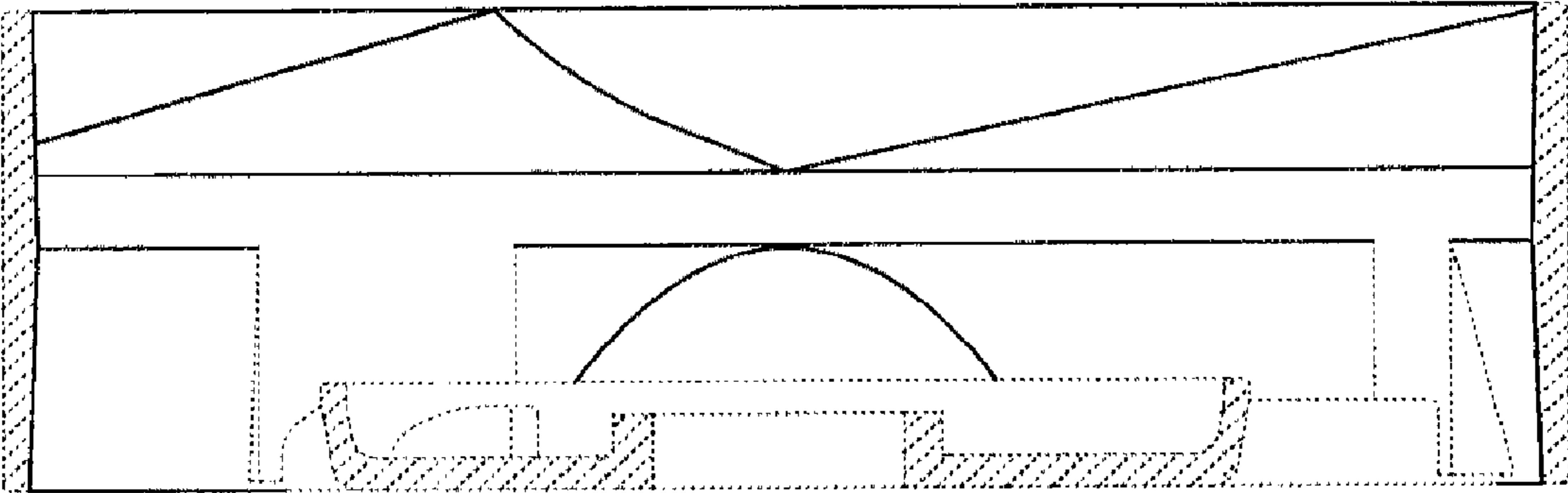


FIG.8

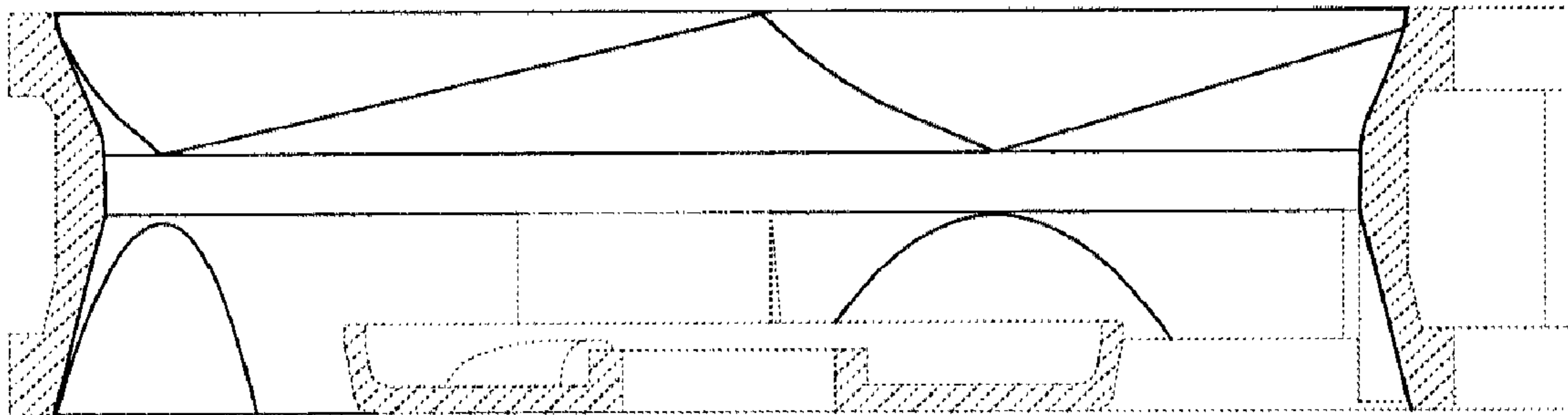


FIG. 9

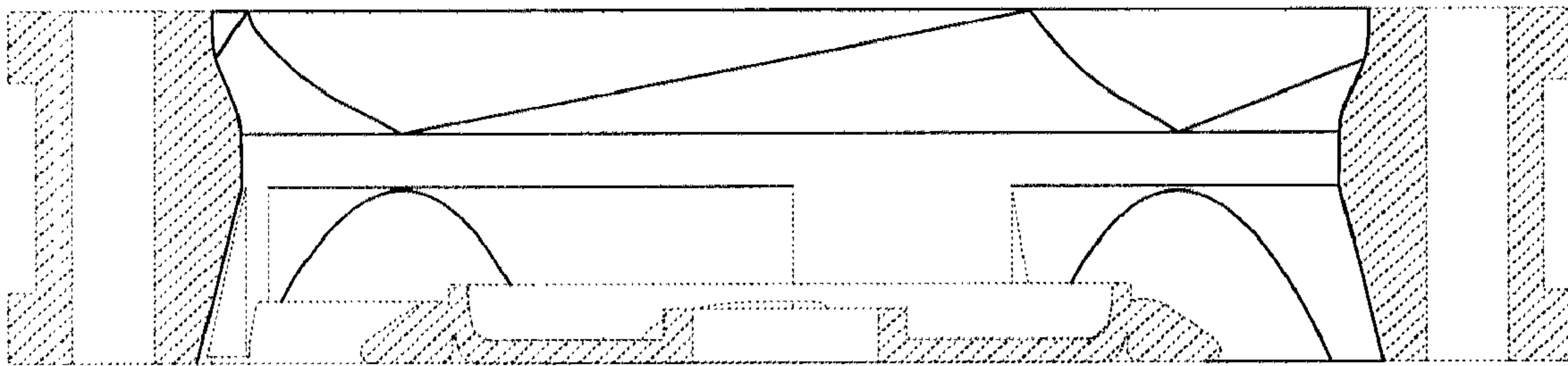


FIG. 10

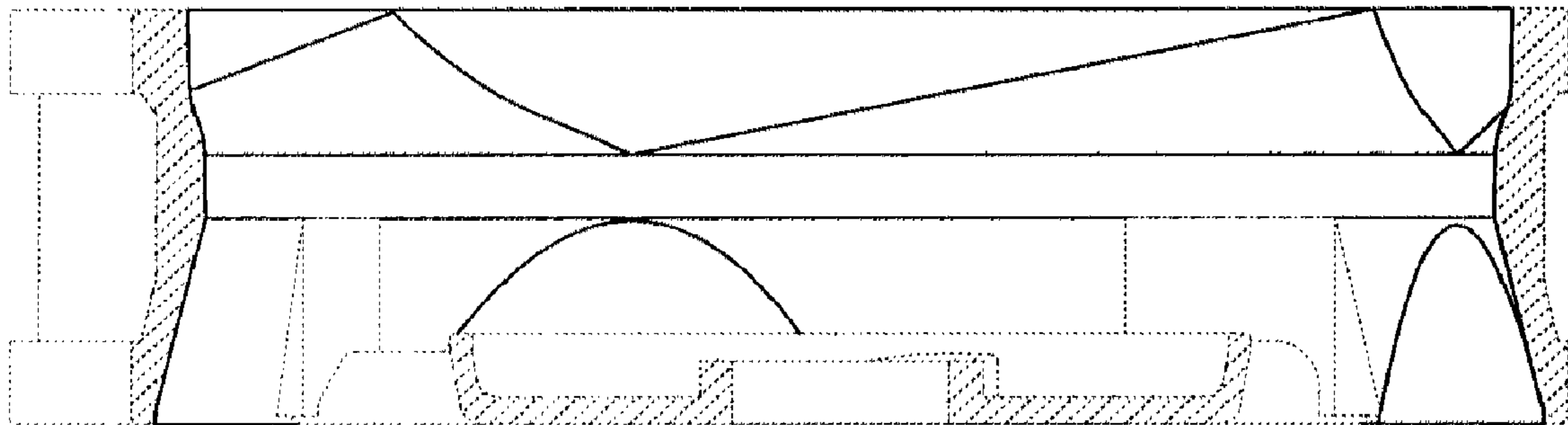


FIG. 11

