

US00D665893S

(12) **United States Design Patent**
Li

(10) **Patent No.:** **US D665,893 S**

(45) **Date of Patent:** **** Aug. 21, 2012**

(54) **AROMA DIFFUSER**

(75) Inventor: **Dong-Sheng Li**, New Territories (HK)

(73) Assignee: **Puzhen Life Co., Limited**, Hong Kong (HK)

(**) Term: **14 Years**

(21) Appl. No.: **29/399,323**

(22) Filed: **Aug. 12, 2011**

(30) **Foreign Application Priority Data**

Feb. 25, 2011 (HK) 1100318.7M002

(51) **LOC (9) Cl.** **28-99**

(52) **U.S. Cl.** **D23/366**

(58) **Field of Classification Search** D23/355-369;
D28/5, 6; 261/DIG. 17, DIG. 42, DIG. 65,
261/DIG. 88, DIG. 89; 392/386, 390, 394,
392/395; 239/34, 44, 53, 55, 56, 326; D26/14,
D26/17, 98

See application file for complete search history.

(56) **References Cited**

U.S. PATENT DOCUMENTS

D246,052 S * 10/1977 Hatai D23/366
D268,520 S * 4/1983 LeCaire, Jr. D23/369

D289,919 S * 5/1987 O'Neil, Jr. D23/366
D323,383 S * 1/1992 Keays et al. D23/366
D334,975 S * 4/1993 Bunce et al. D23/366
D441,441 S * 5/2001 Upson D23/366
D464,720 S * 10/2002 Lohkamp D23/355
D491,257 S * 6/2004 Picken, Jr. D23/366
D565,715 S * 4/2008 Wu D23/366
D583,037 S * 12/2008 Kenny D23/366
D611,588 S * 3/2010 Jorgensen D23/366
D653,744 S * 2/2012 Li D23/366

* cited by examiner

Primary Examiner — Sandra Snapp

(74) *Attorney, Agent, or Firm* — Howard C. Miskin, Esq.;
Gloria Tsui-Yip, Esq.

(57) **CLAIM**

I claim the ornamental design for an aroma diffuser, as shown and described.

DESCRIPTION

FIG. 1 is a front view of the aroma diffuser showing my new design;

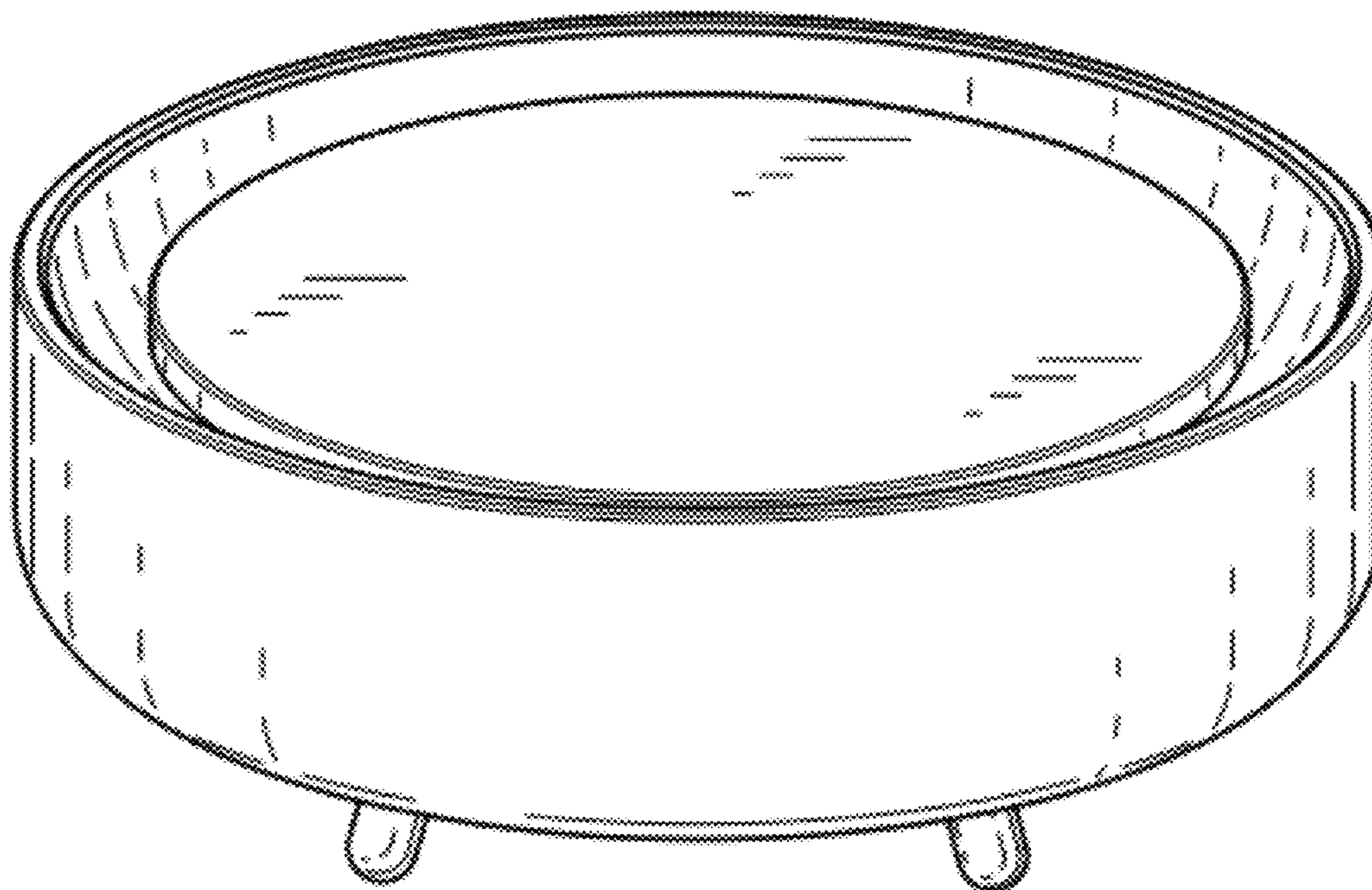
FIG. 2 is a top view thereof;

FIG. 3 is a bottom view thereof;

FIG. 4 is a side view thereof; and,

FIG. 5 is a perspective view thereof.

1 Claim, 3 Drawing Sheets



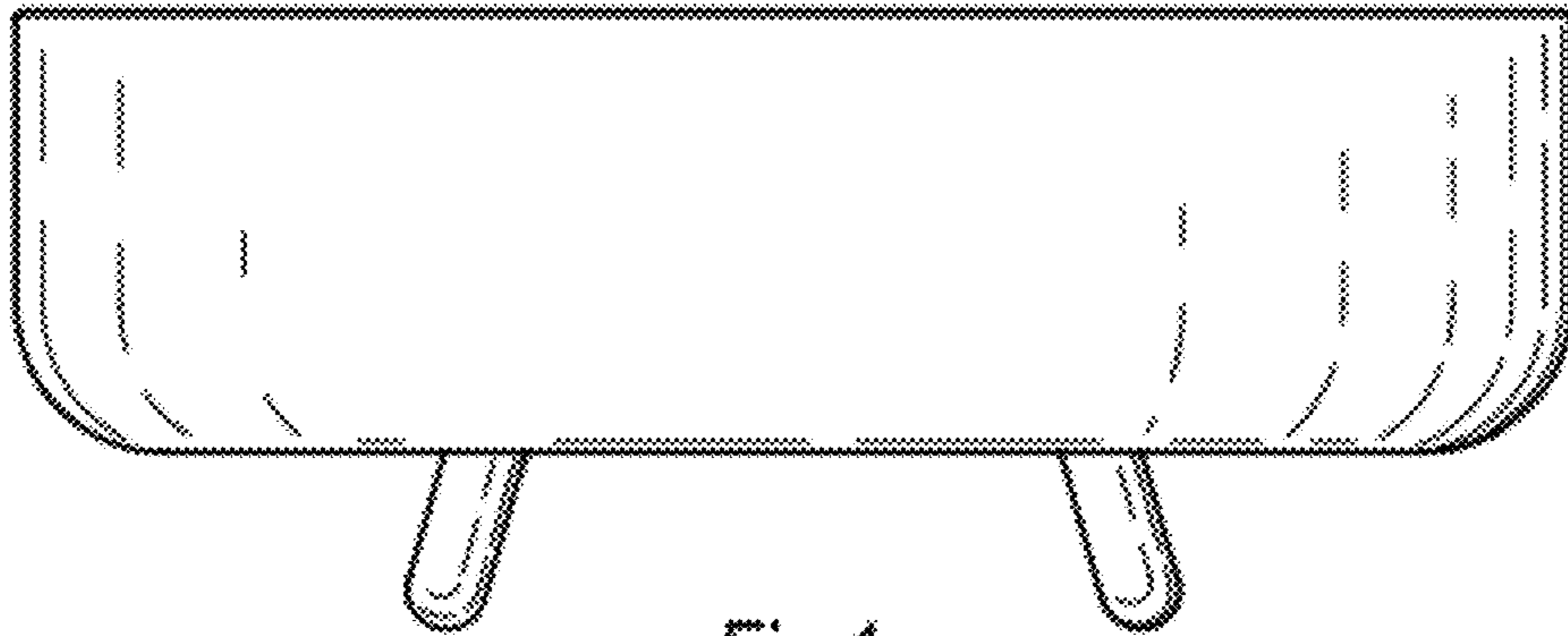


Fig.1

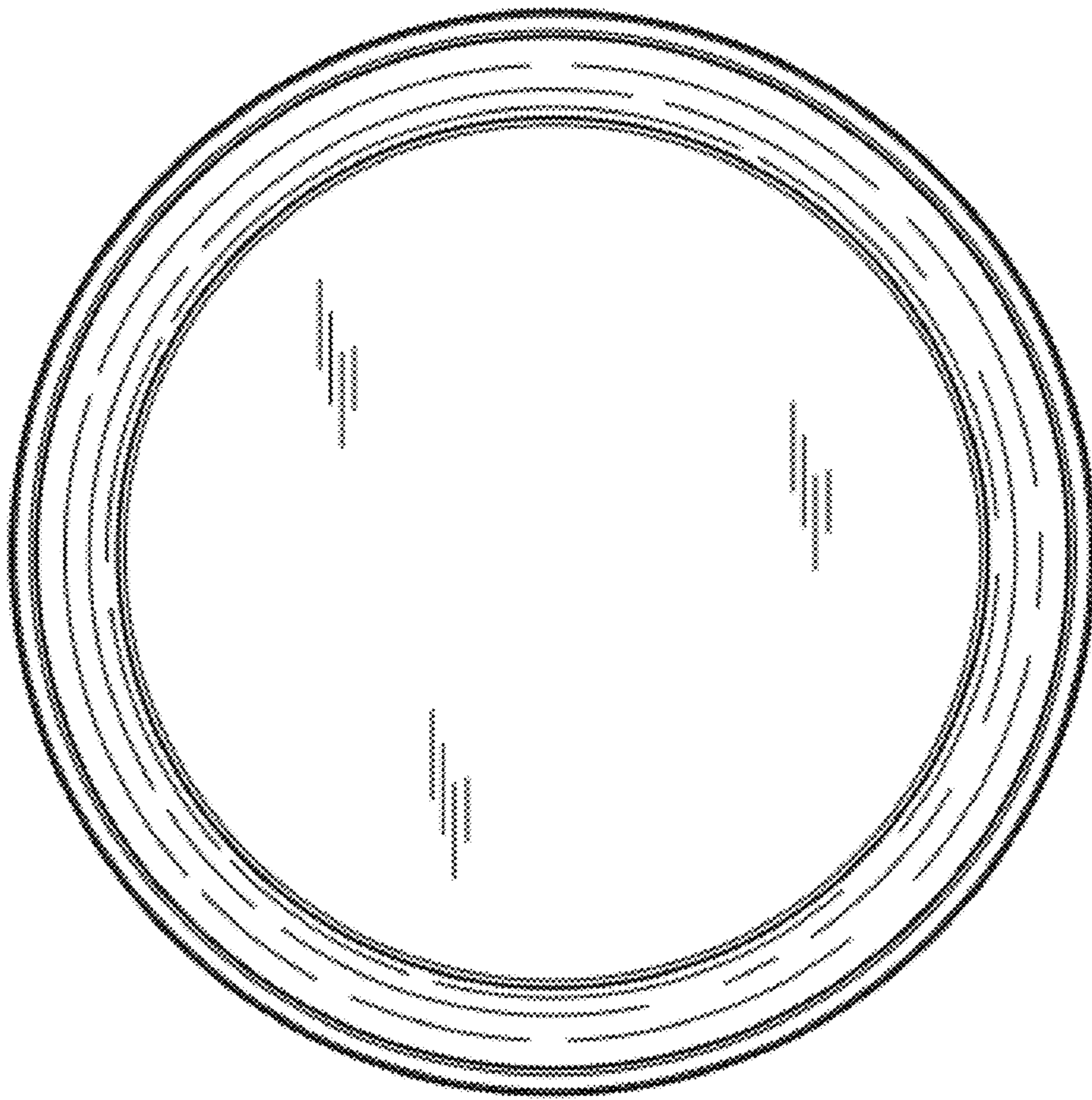


Fig.2

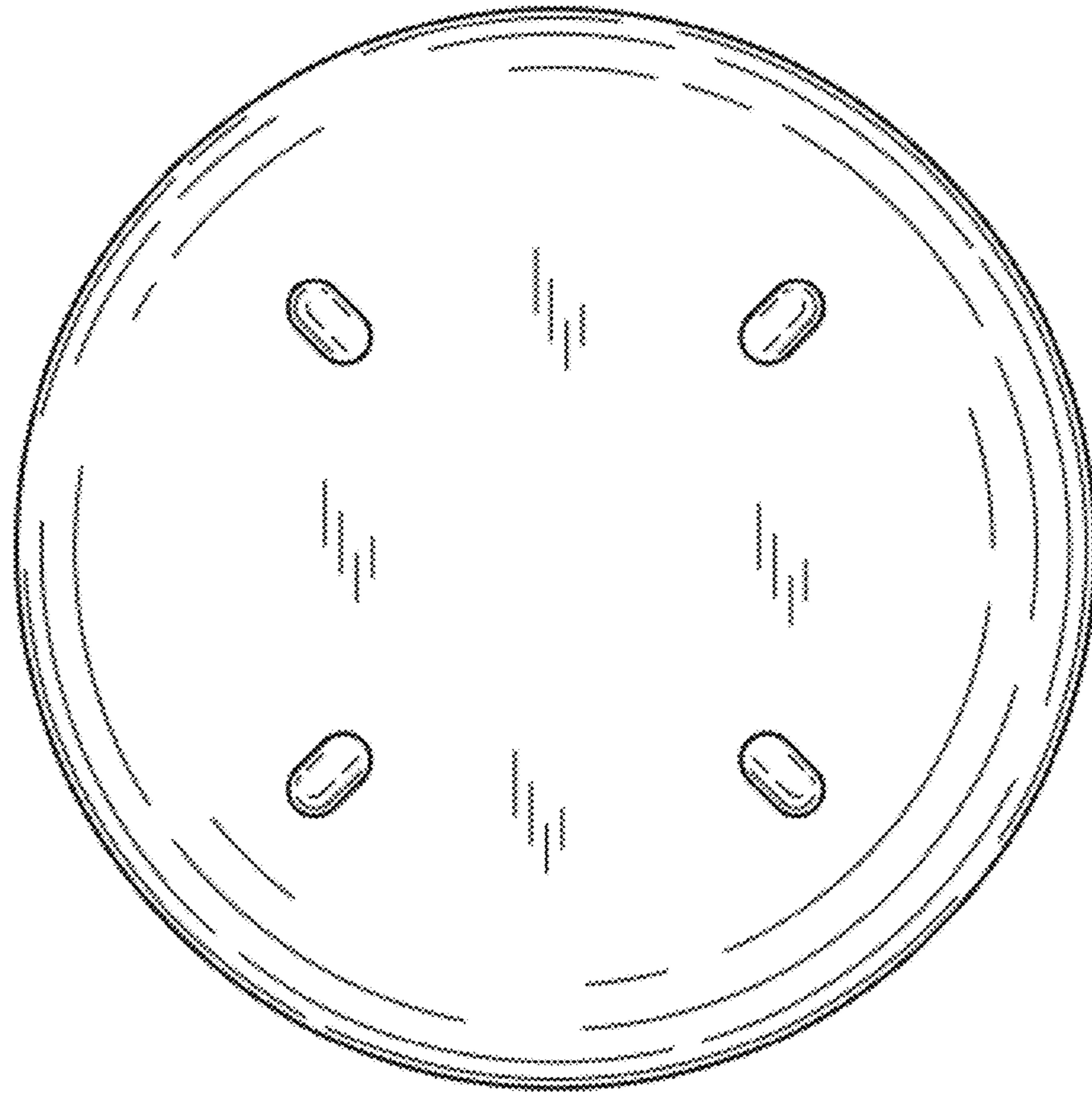


Fig.3

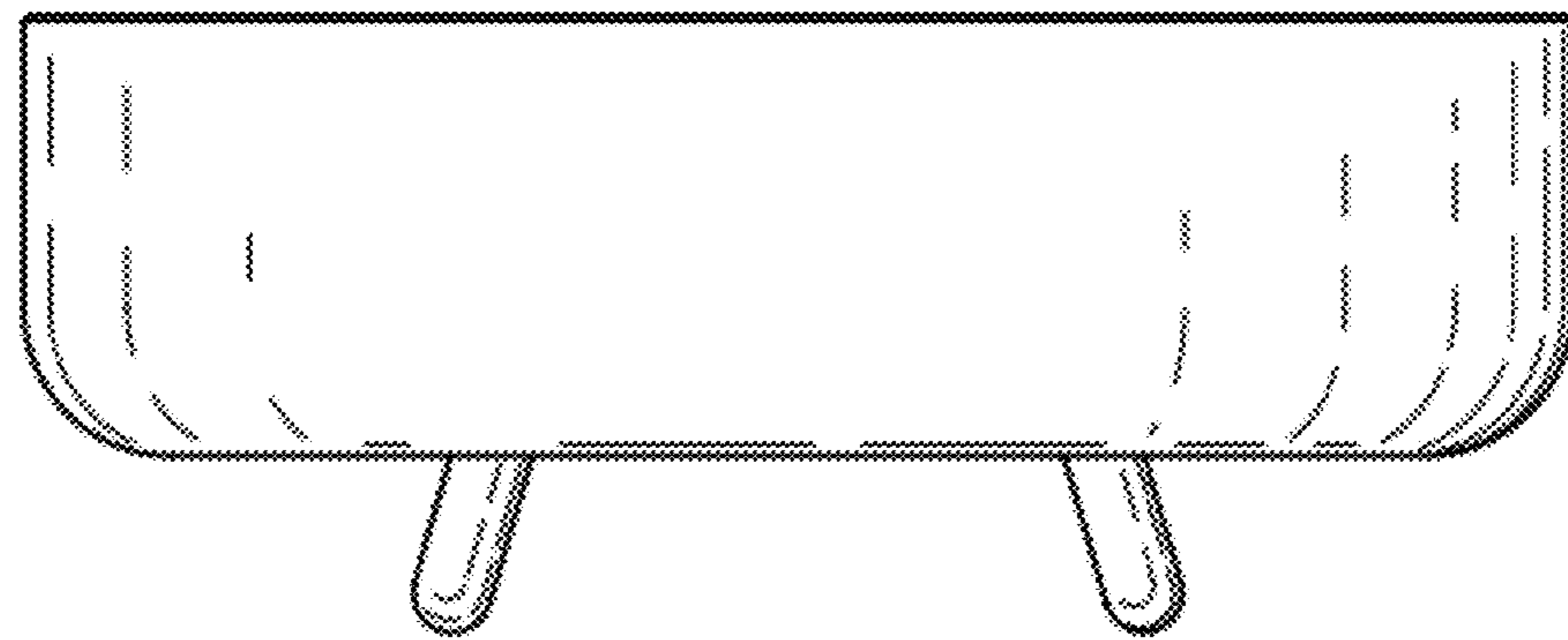


Fig.4

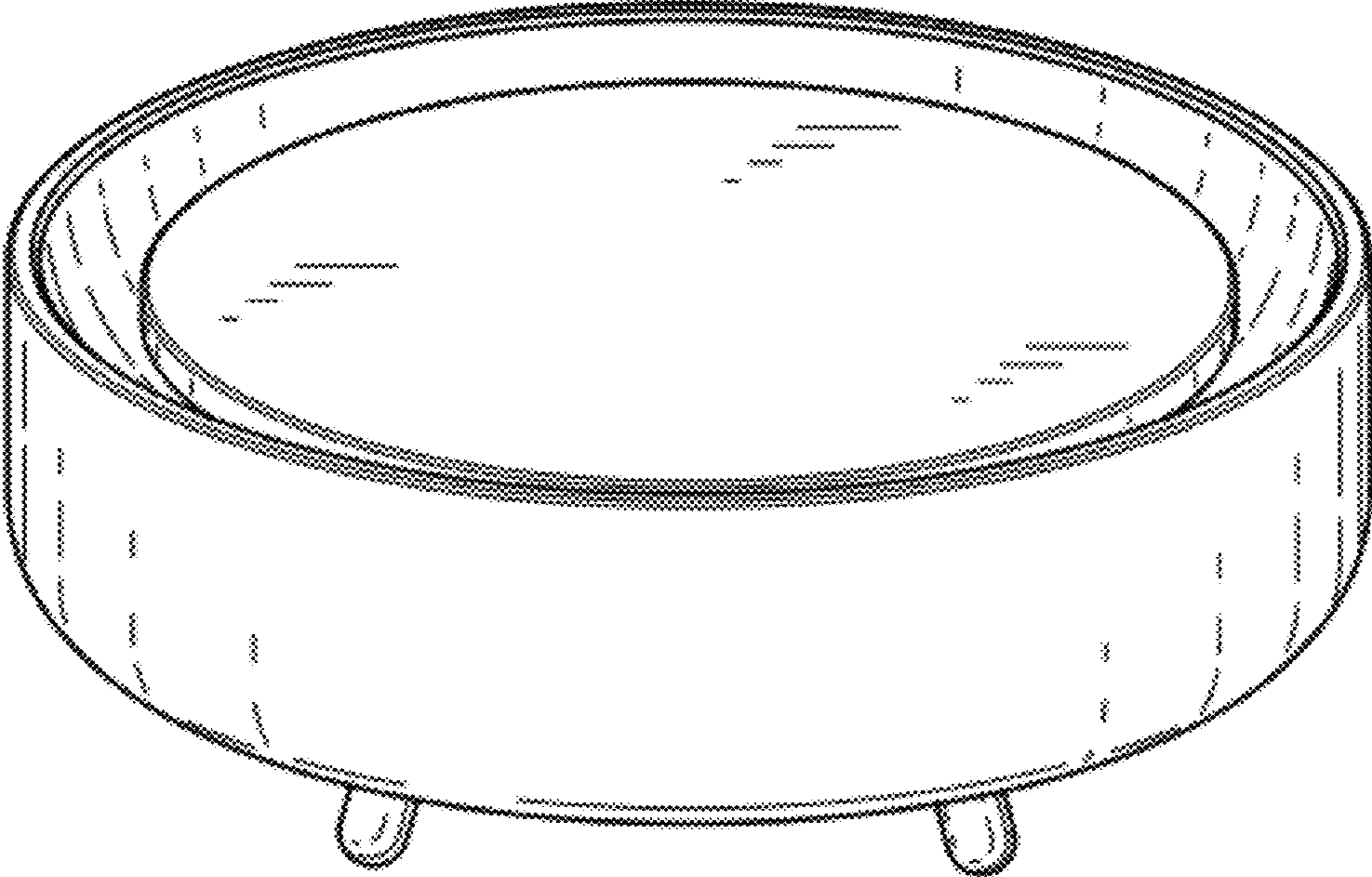


Fig.5