



US00D665892S

(12) **United States Design Patent**
Mueller et al.

(10) **Patent No.:** **US D665,892 S**

(45) **Date of Patent:** **** Aug. 21, 2012**

(54) **AIR FILTER DEVICE**

(75) Inventors: **Alexander Mueller**, Fuerth (DE);
Sebastian Maier, Fuerth (DE)

(73) Assignee: **Sartorius Weighing Technology GmbH**
(DE)

(**) Term: **14 Years**

(21) Appl. No.: **29/410,303**

(22) Filed: **Jan. 6, 2012**

(30) **Foreign Application Priority Data**

Aug. 2, 2011 (EM) 001287601-0001

(51) **LOC (9) Cl.** **23-04**

(52) **U.S. Cl.** **D23/365**

(58) **Field of Classification Search** D23/365,
D23/209, 363, 358, 386, 354, 341, 364, 355;
55/385.3, 500, 502, 497, 506, 505, 521, 495,
55/422, 493, DIG. 30; 210/435, 130, 136,
210/248, 339, 448, 452, 497.1; D15/5; D26/37,
D26/41, 46, 48; D16/221, 232, 234
See application file for complete search history.

(56) **References Cited**

U.S. PATENT DOCUMENTS

3,441,730 A * 4/1969 Brindley et al. D26/48
D214,254 S * 5/1969 Cheslock D26/48

D360,043 S * 7/1995 Inukai D26/48
D394,322 S * 5/1998 Dalton et al. D26/48
D403,454 S * 12/1998 Zelina et al. D26/48
D414,254 S * 9/1999 Wu D23/355
D415,850 S * 10/1999 Dalton et al. D26/48
D424,676 S * 5/2000 Hoshino D23/365
D537,969 S * 3/2007 Moser D26/46
D605,797 S * 12/2009 Baker et al. D26/48
D616,580 S * 5/2010 Bertken D26/48
D639,472 S * 6/2011 Sun D26/48
D646,817 S * 10/2011 Yuen D26/48

* cited by examiner

Primary Examiner — David Muller

(74) *Attorney, Agent, or Firm* — Gerald E. Hespos; Michael
J. Porco

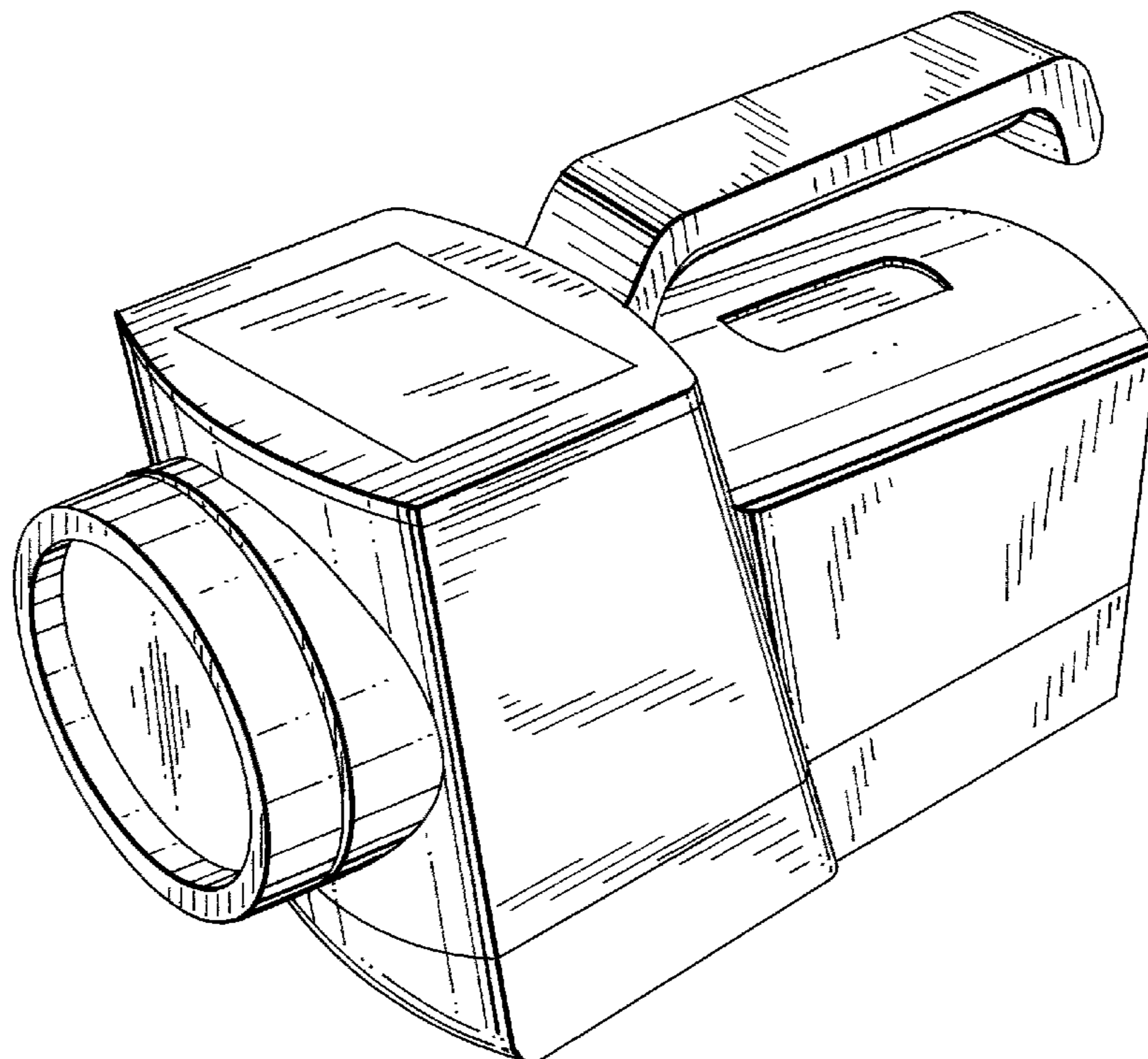
(57) **CLAIM**

The ornamental design for an air filter device, as shown and
described.

DESCRIPTION

FIG. 1 is a front perspective view of an air filter device
showing the new design;
FIG. 2 is a rear perspective view thereof;
FIG. 3 is a front elevational view thereof;
FIG. 4 is a top plan view thereof;
FIG. 5 is a left side elevational view with the right side
elevational view being a mirror image thereof;
FIG. 6 is a rear elevational view thereof; and,
FIG. 7 is a bottom plan view thereof.

1 Claim, 7 Drawing Sheets



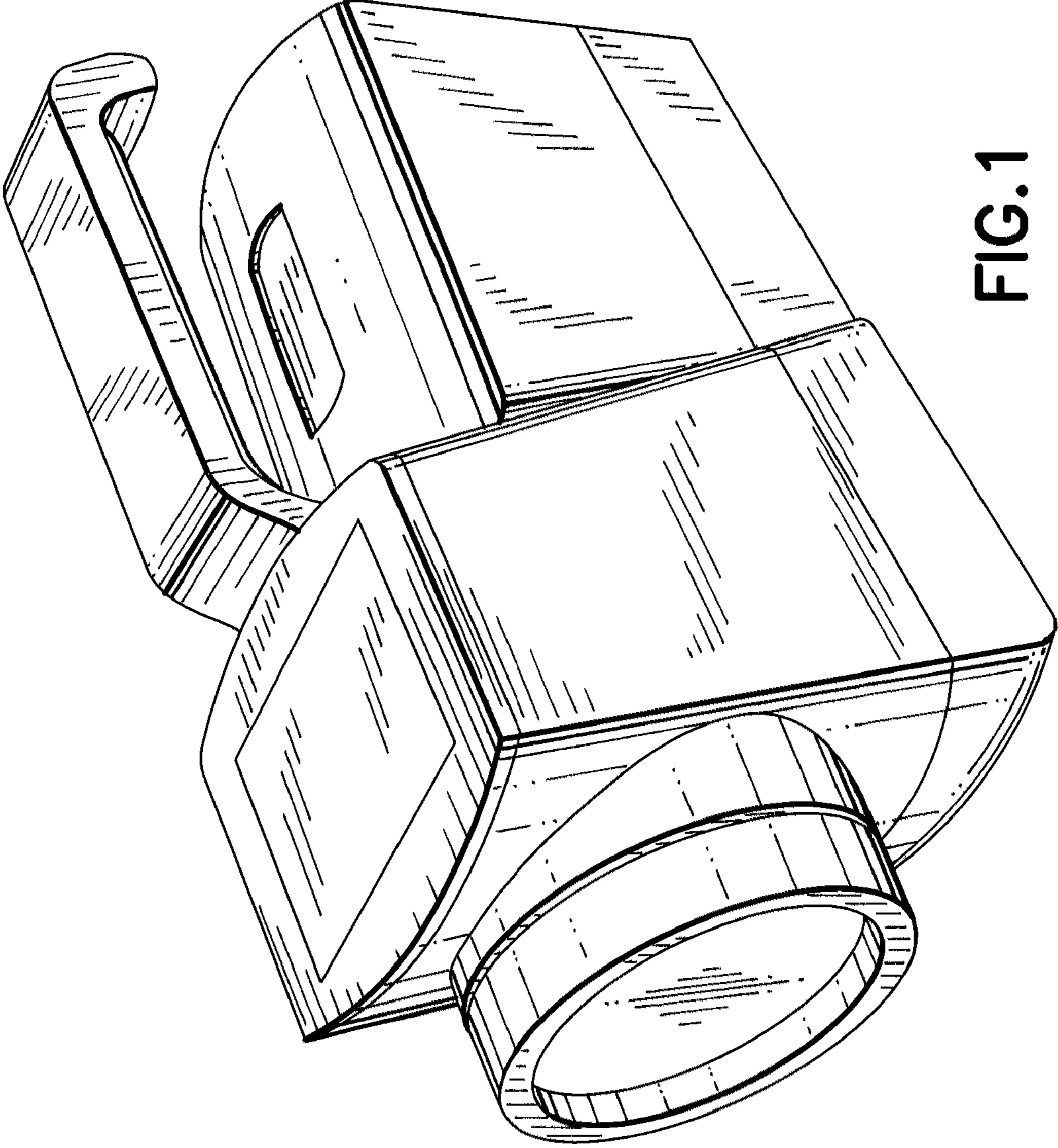


FIG.1

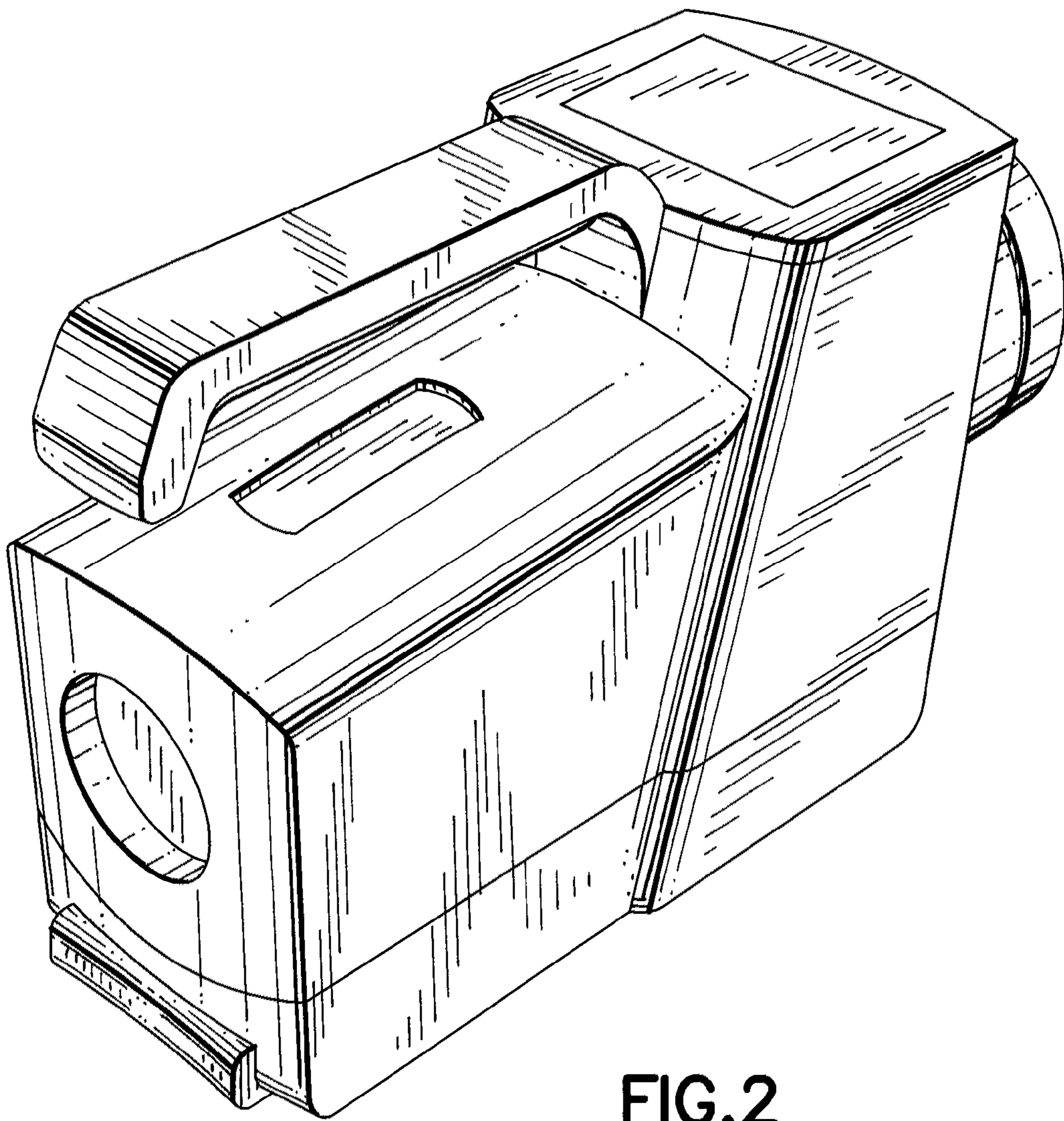


FIG.2

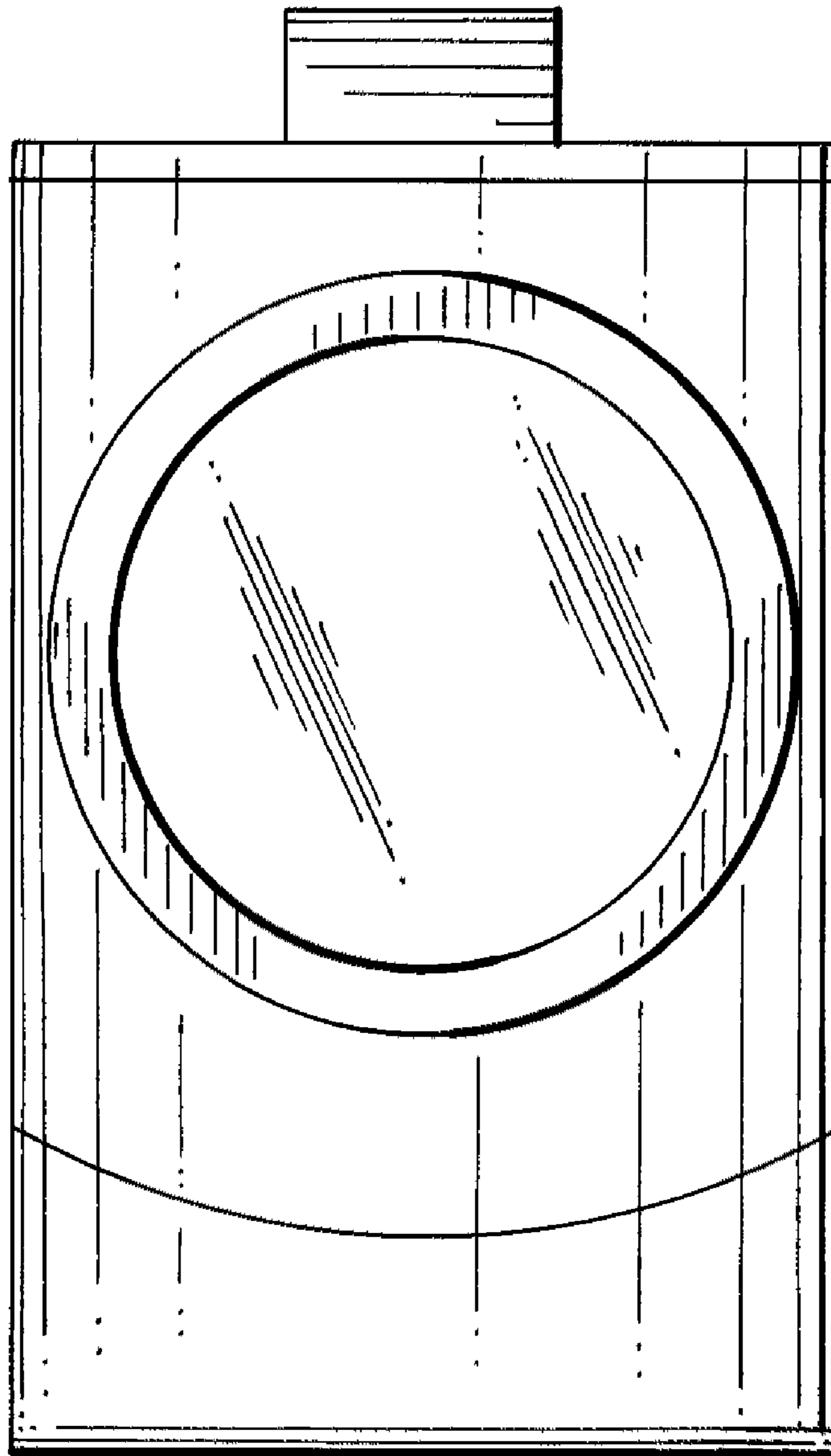


FIG.3

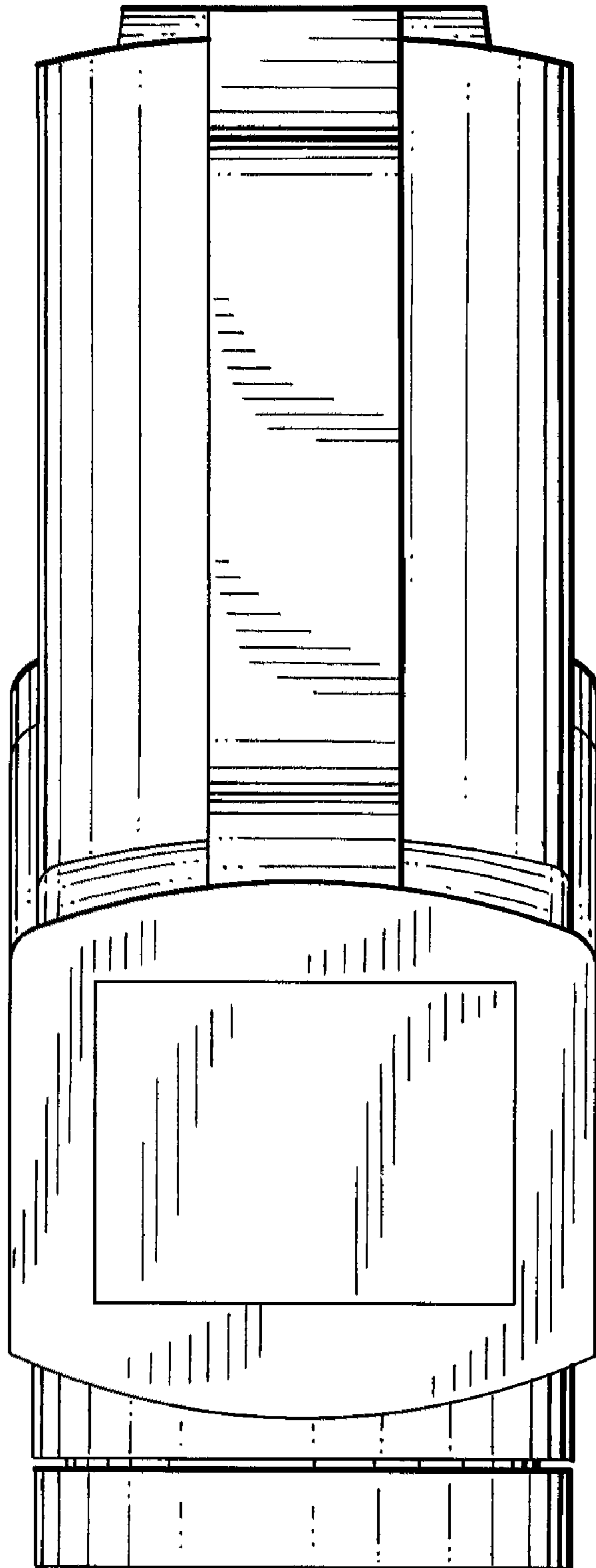


FIG.4

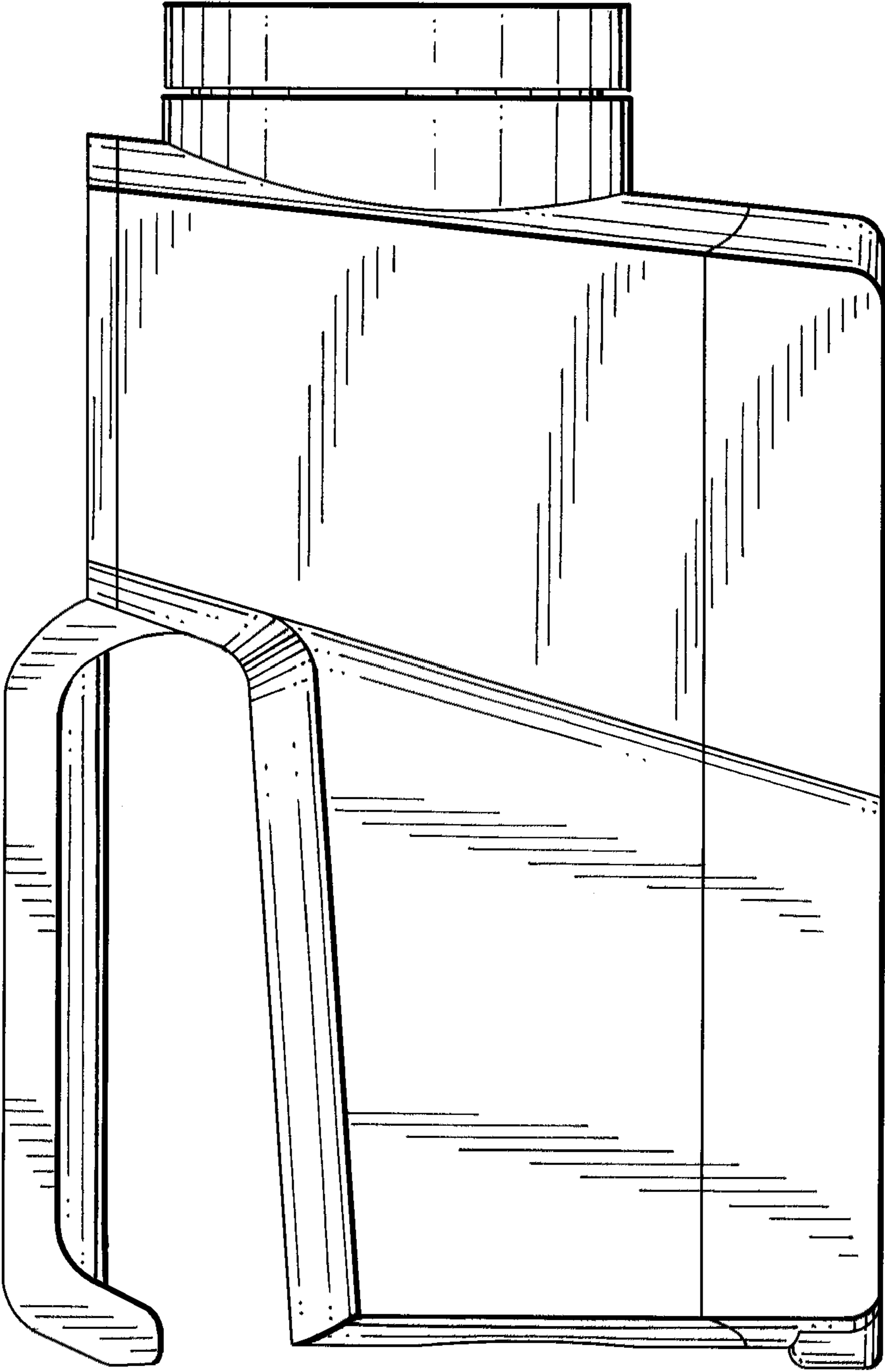


FIG.5

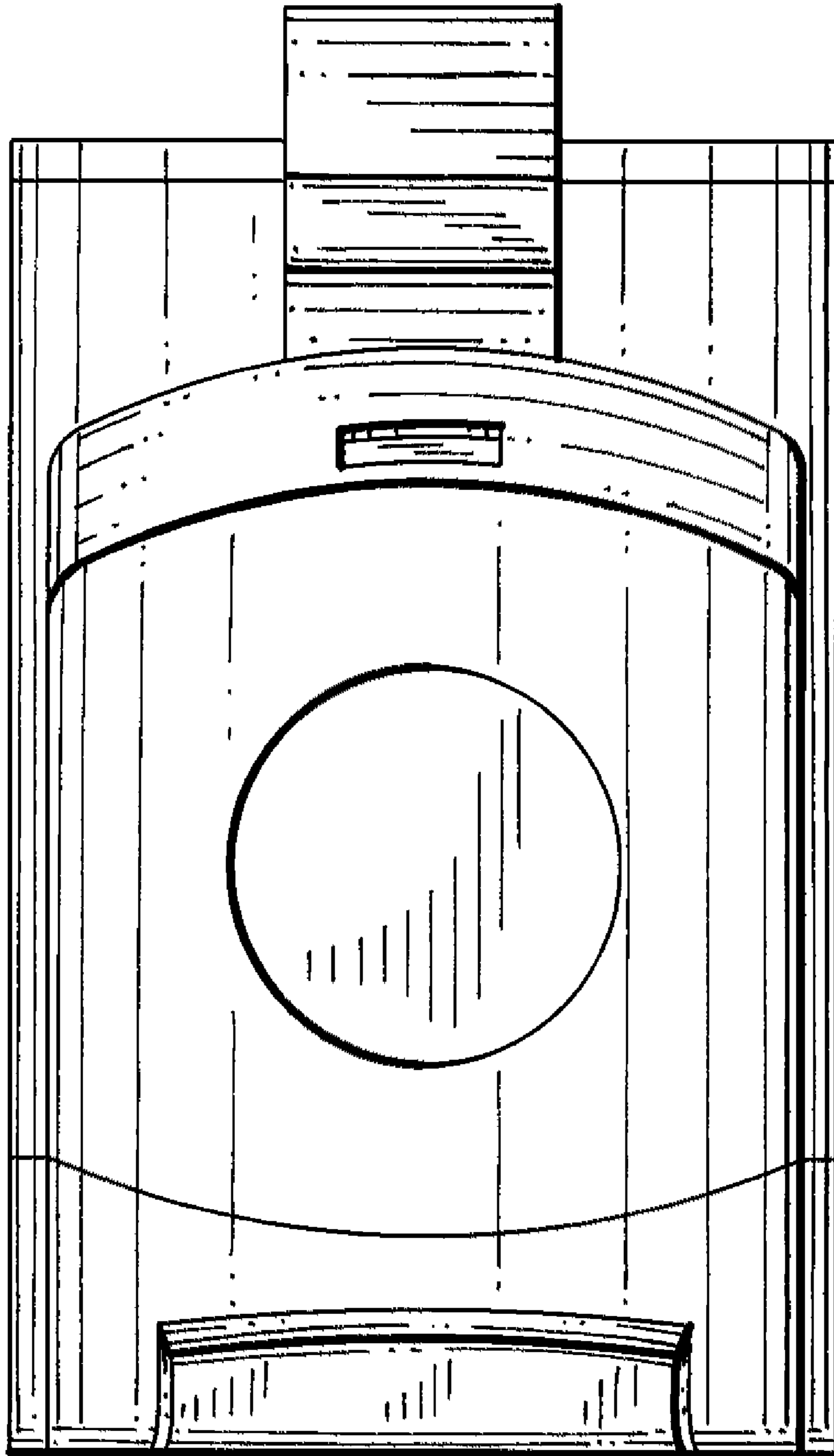


FIG. 6

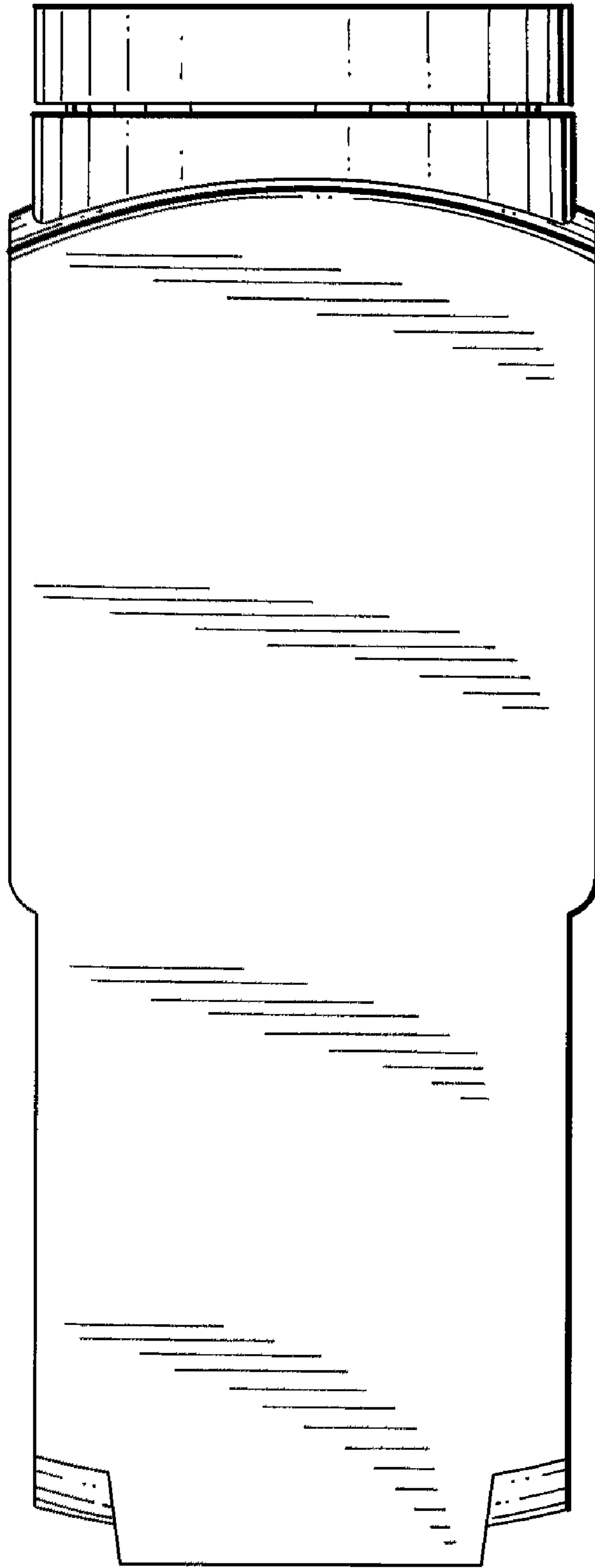


FIG. 7