

US00D665890S

(12) **United States Design Patent**
Reedy

(10) **Patent No.:** **US D665,890 S**

(45) **Date of Patent:** **** Aug. 21, 2012**

(54) **BATHTUB ENCLOSURE**

(75) Inventor: **Michael Reedy**, Chicago, IL (US)

(73) Assignee: **Masco Bath Corporation**, Moorestown, NJ (US)

(**) Term: **14 Years**

(21) Appl. No.: **29/402,269**

(22) Filed: **Sep. 22, 2011**

(51) **LOC (9) Cl.** **23-02**

(52) **U.S. Cl.** **D23/275**

(58) **Field of Classification Search** D23/271,
D23/277, 275, 283, 303-305; 4/663, 538,
4/552, 596, 612-614, 900, 583

See application file for complete search history.

(56) **References Cited**

U.S. PATENT DOCUMENTS

3,942,199	A *	3/1976	Kollsman	4/583
D243,691	S *	3/1977	Gruber	D23/277
4,901,380	A *	2/1990	Smith	4/596
D310,557	S *	9/1990	Smith	D23/275

D495,788	S *	9/2004	Helmetsie et al.	D23/283
D576,262	S *	9/2008	Ishiyama et al.	D23/305
D628,683	S *	12/2010	Andrew et al.	D23/305
D629,089	S *	12/2010	Yoo et al.	D23/305

* cited by examiner

Primary Examiner — Robert Delehanty

(74) *Attorney, Agent, or Firm* — Nirav D. Parikh; Edgar A. Zarins; Lora J. Graentzdoerffer

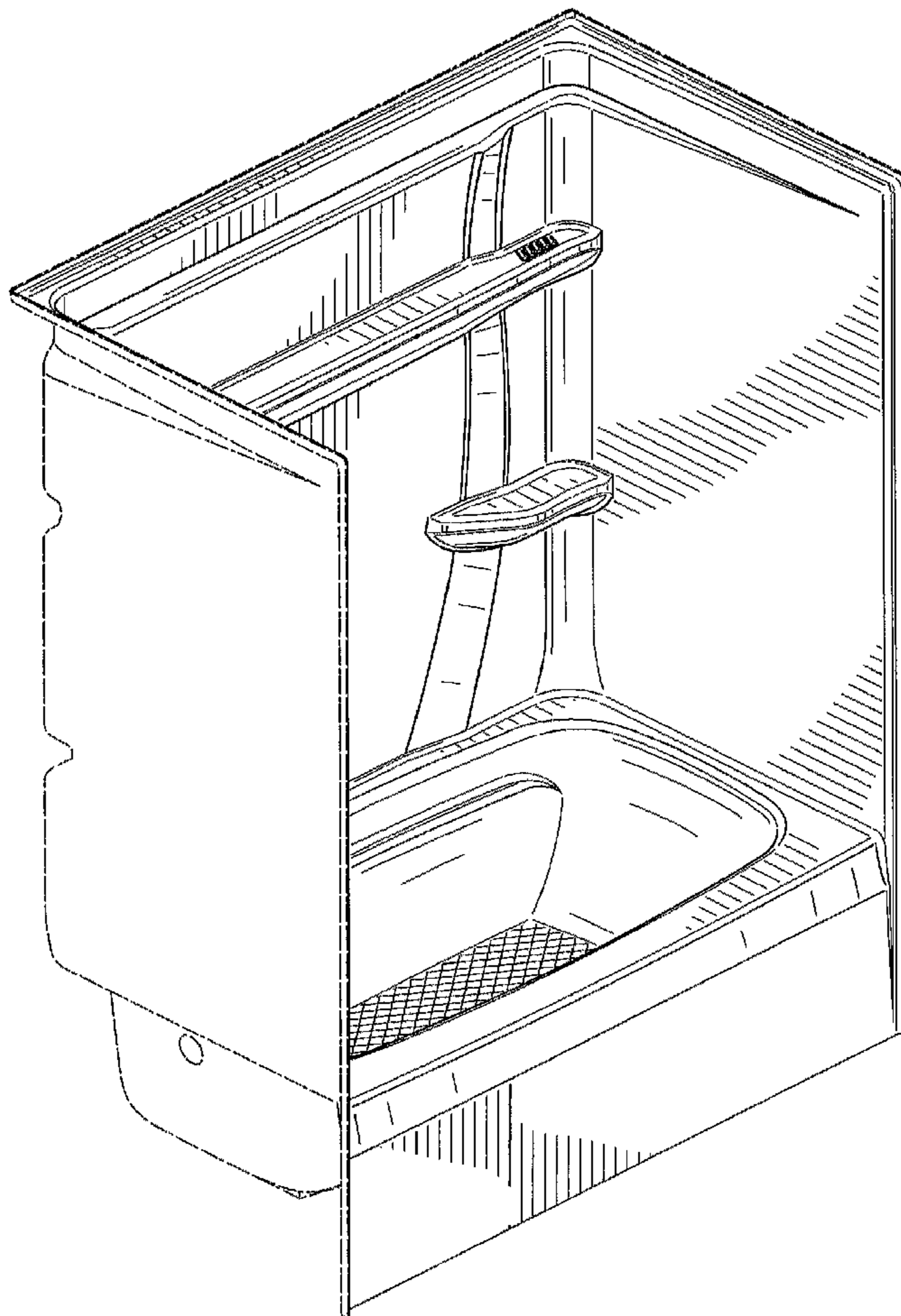
(57) **CLAIM**

The ornamental design for a bathtub enclosure, as shown and described.

DESCRIPTION

FIG. 1 is a front/right side perspective view of a bathtub enclosure showing my new design;
FIG. 2 is a front elevational view thereof;
FIG. 3 is a cross-sectional view taken along line 3-3 of FIG. 2 thereof; and,
FIG. 4 is a top plan view thereof.
The broken lines are for illustrative purposes only and form no part of the claimed design.

1 Claim, 4 Drawing Sheets



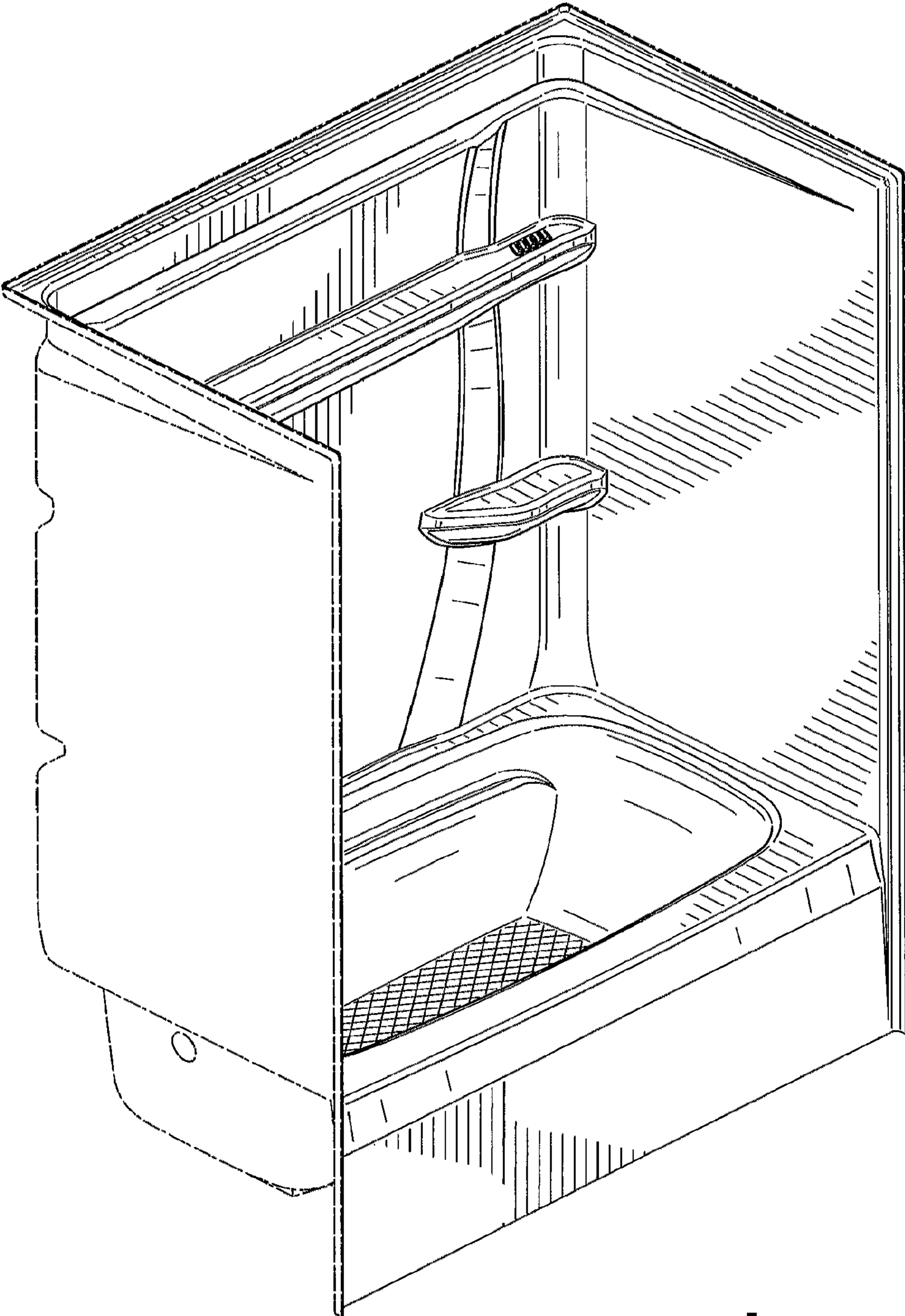


FIG. 1

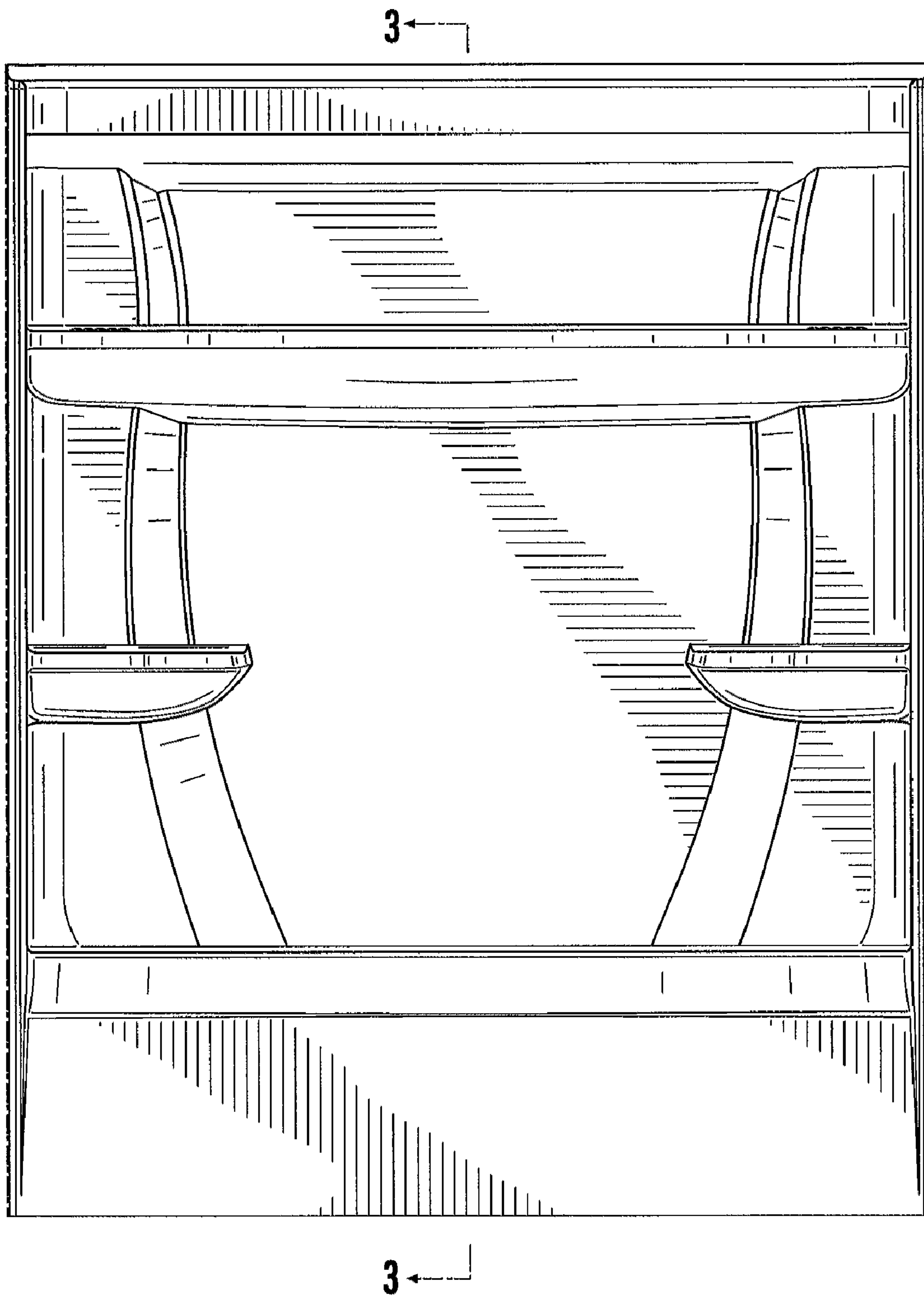


FIG. 2

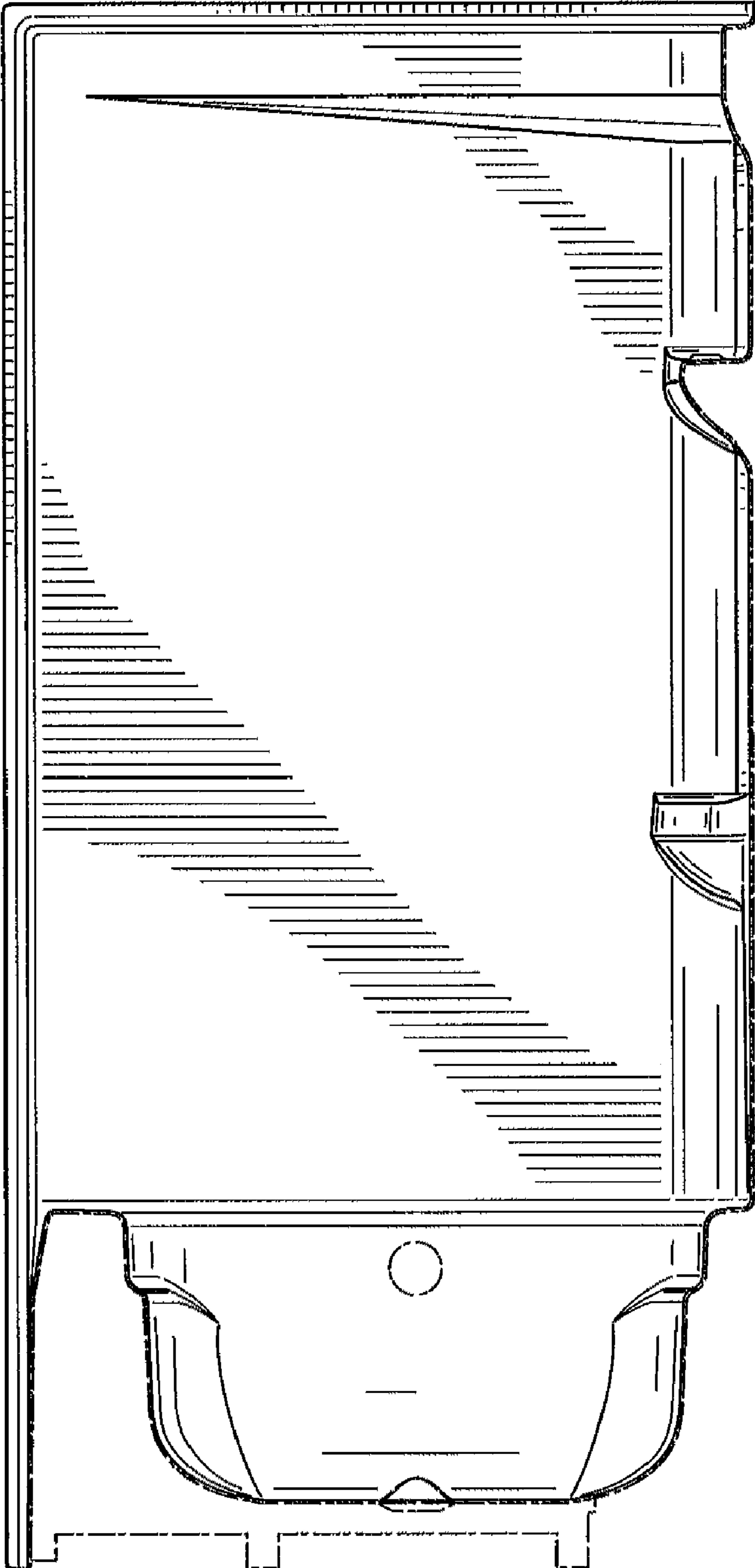


FIG. 3

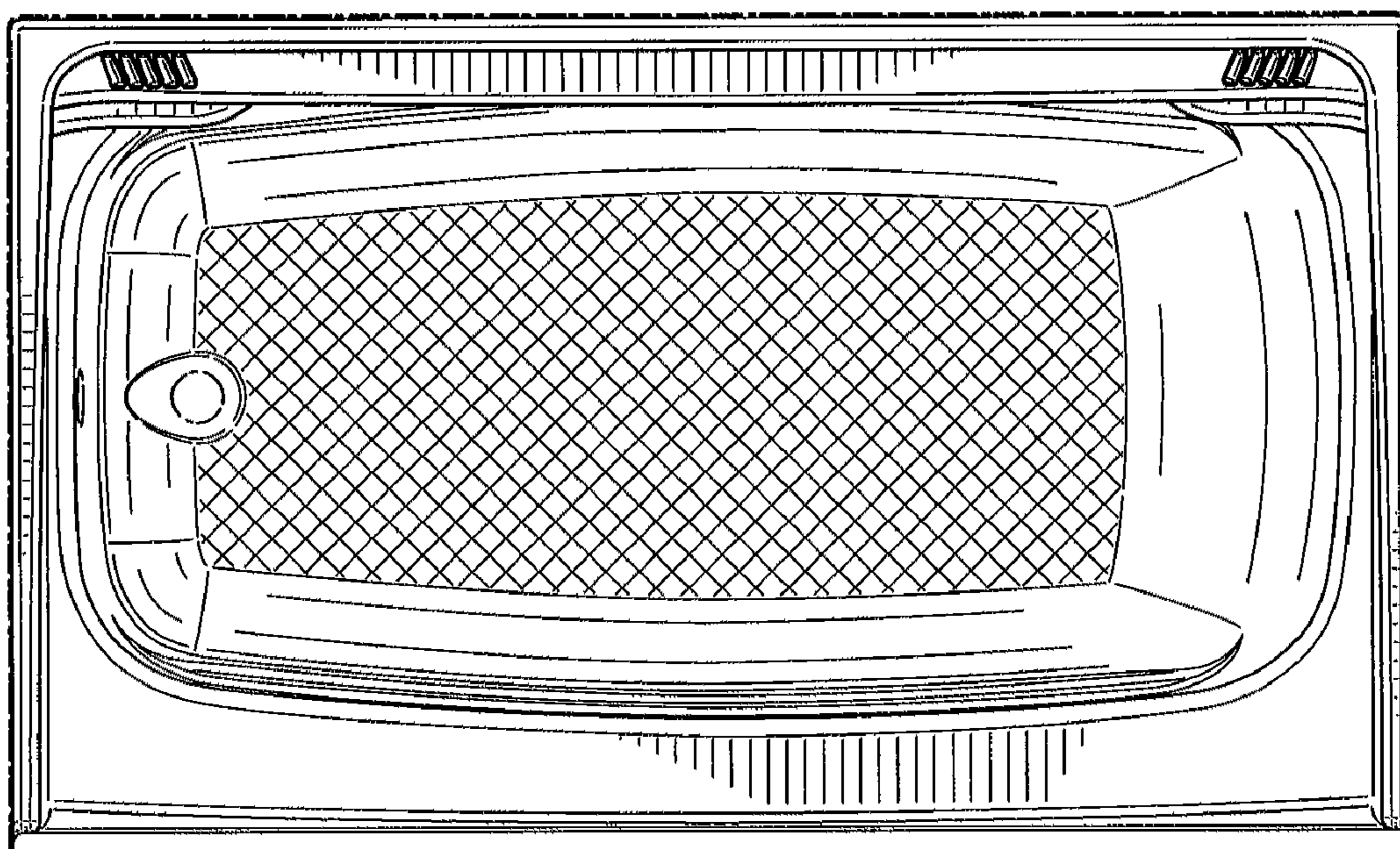


FIG. 4