



US00D665889S

(12) **United States Design Patent**  
**Dole et al.**

(10) **Patent No.:** **US D665,889 S**

(45) **Date of Patent:** **\*\* Aug. 21, 2012**

(54) **PIPE COUPLING SEGMENT**

(75) Inventors: **Douglas R. Dole**, Whitehouse Station, NJ (US); **Anthony J. Cuvo**, Coopersburg, PA (US); **Scott D. Madara**, Nazareth, PA (US); **Charles E. Wilk, Jr.**, Slatington, PA (US)

(73) Assignee: **Victaulic Company**, Easton, PA (US)

(\*\*) Term: **14 Years**

(21) Appl. No.: **29/403,752**

(22) Filed: **Oct. 11, 2011**

(51) **LOC (9) Cl.** ..... **23-01**

(52) **U.S. Cl.** ..... **D23/262**

(58) **Field of Classification Search** ..... D23/259-262; D8/396; 239/428.5; 261/DIG. 22; 285/1, 285/112, 179, 340, 367, 404, 53, 915; 403/291, 403/300; 411/5, 10; 137/801

See application file for complete search history.

(56) **References Cited**

U.S. PATENT DOCUMENTS

|           |      |         |               |       |         |
|-----------|------|---------|---------------|-------|---------|
| D142,057  | S *  | 8/1945  | Baxter        | ..... | D23/265 |
| 6,626,466 | B1 * | 9/2003  | Dole          | ..... | 285/112 |
| 7,090,259 | B2 * | 8/2006  | Dole          | ..... | 285/367 |
| 7,540,540 | B2 * | 6/2009  | Kwon et al.   | ..... | 285/411 |
| D616,533  | S    | 5/2010  | Bowman et al. |       |         |
| D616,968  | S *  | 6/2010  | Bowman et al. | ..... | D23/262 |
| D618,315  | S *  | 6/2010  | Bowman et al. | ..... | D23/262 |
| D625,784  | S    | 10/2010 | Bowman et al. |       |         |
| D625,788  | S *  | 10/2010 | Madara et al. | ..... | D23/262 |
| D626,200  | S    | 10/2010 | Bowman et al. |       |         |
| D629,078  | S    | 12/2010 | Dole et al.   |       |         |

|              |      |         |              |       |         |
|--------------|------|---------|--------------|-------|---------|
| D629,079     | S    | 12/2010 | Dole et al.  |       |         |
| D629,083     | S *  | 12/2010 | Dole et al.  | ..... | D23/262 |
| D636,469     | S    | 4/2011  | Dole et al.  |       |         |
| D650,889     | S *  | 12/2011 | van Walraven | ..... | D23/265 |
| 2004/0036291 | A1 * | 2/2004  | Dole         | ..... | 285/367 |

OTHER PUBLICATIONS

Chionchio, John A.; Pipe Coupling Segment, U.S. Appl. No. 29/403,603, filed Oct. 7, 2011, Specification and Claim (pp. 1-2); Drawings (pp. 3-6).

\* cited by examiner

Primary Examiner — Eric Goodman

(74) *Attorney, Agent, or Firm* — Ballard Spahr LLP

(57) **CLAIM**

We claim the ornamental design for a pipe coupling segment, as shown and described.

**DESCRIPTION**

FIG. 1 is an isometric view of our new design for a pipe coupling;

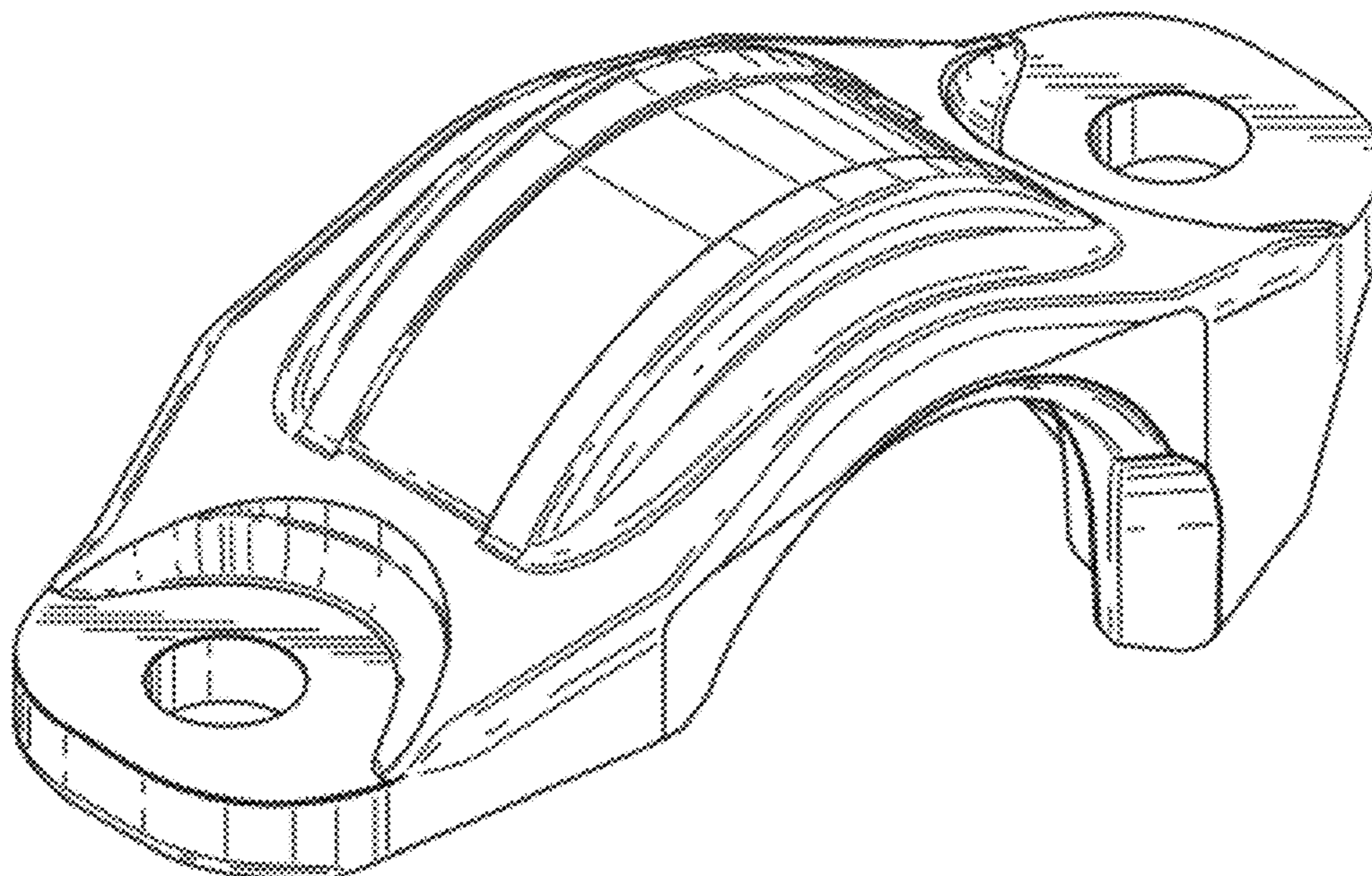
FIG. 2 is a front view of the design for the pipe coupling shown in FIG. 1, the rear view being identical;

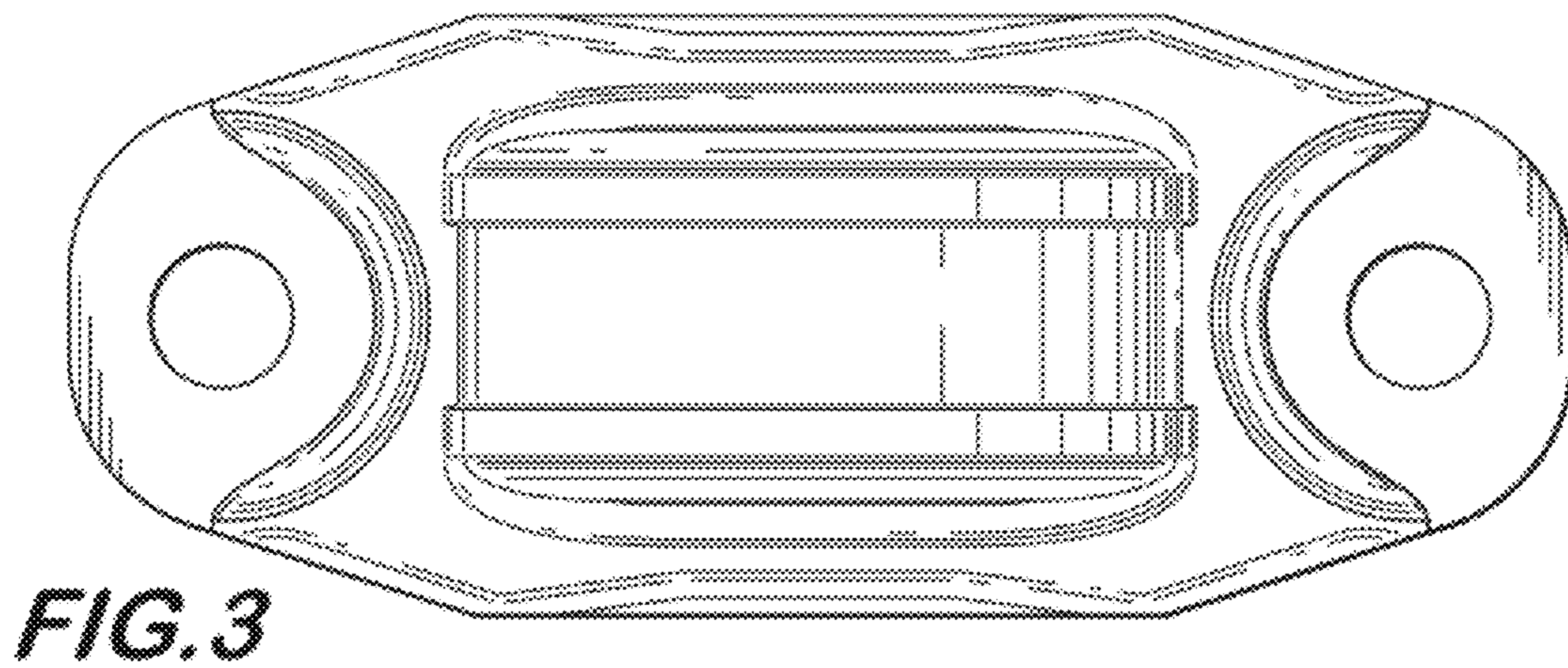
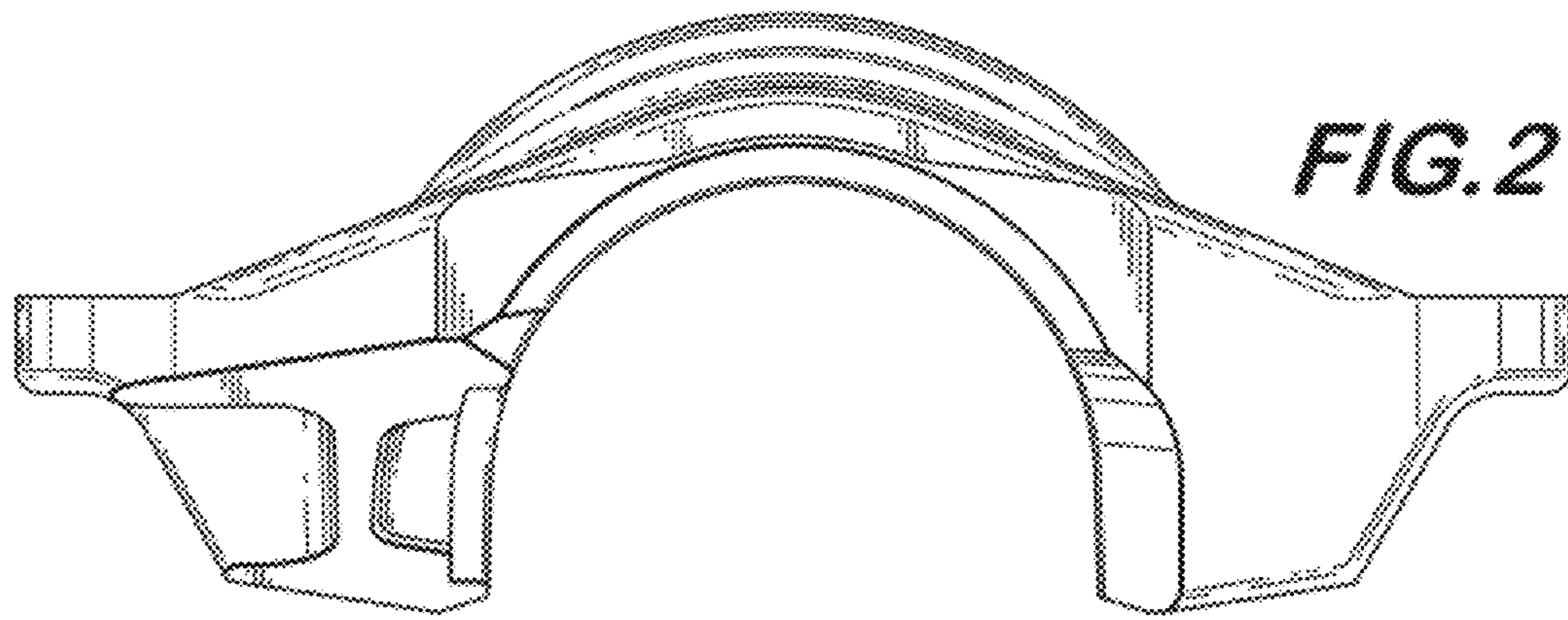
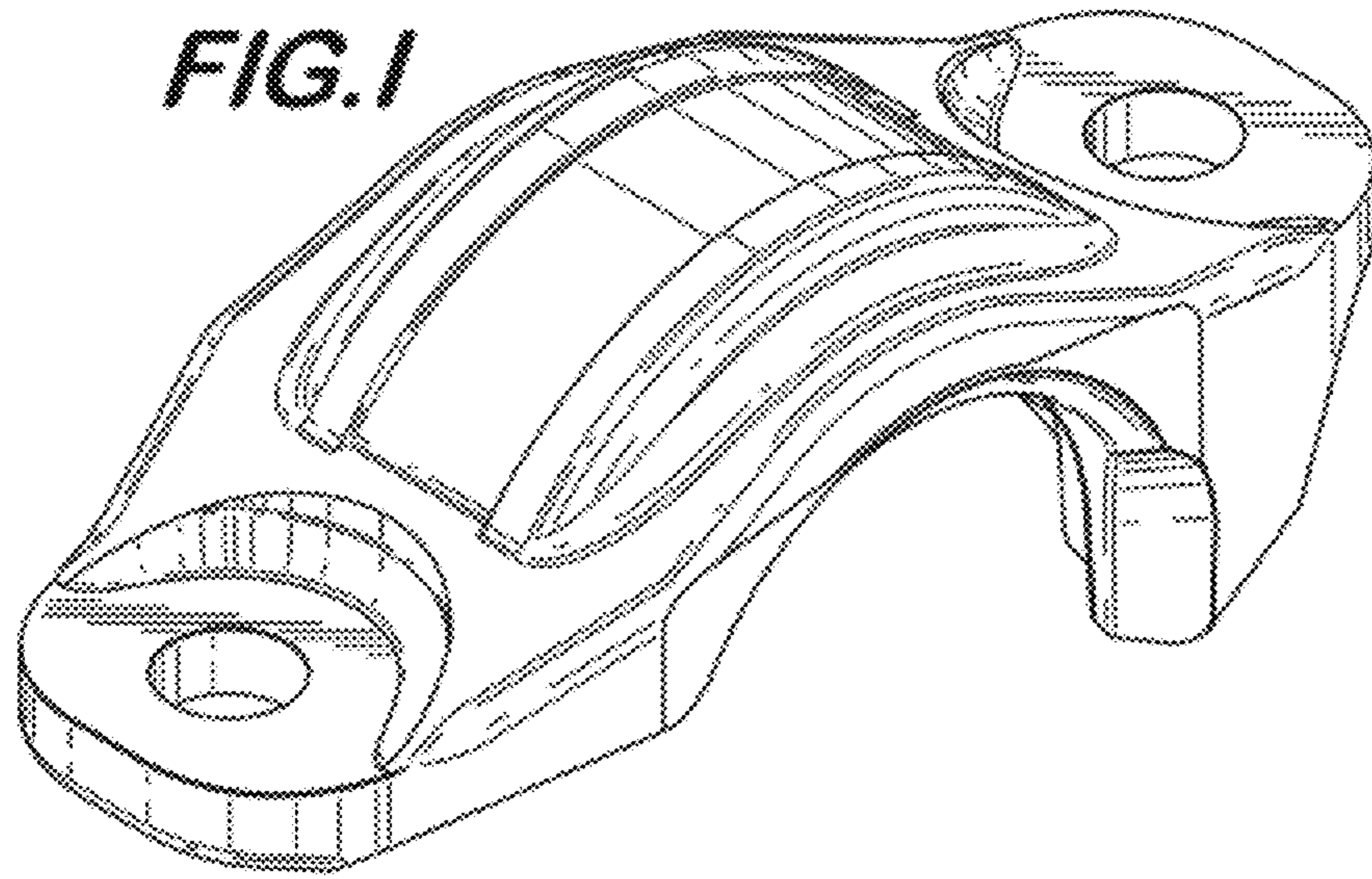
FIG. 3 is a top view of the design for the pipe coupling shown in FIG. 1;

FIG. 4 is a bottom view of the design for the pipe coupling shown in FIG. 1; and,

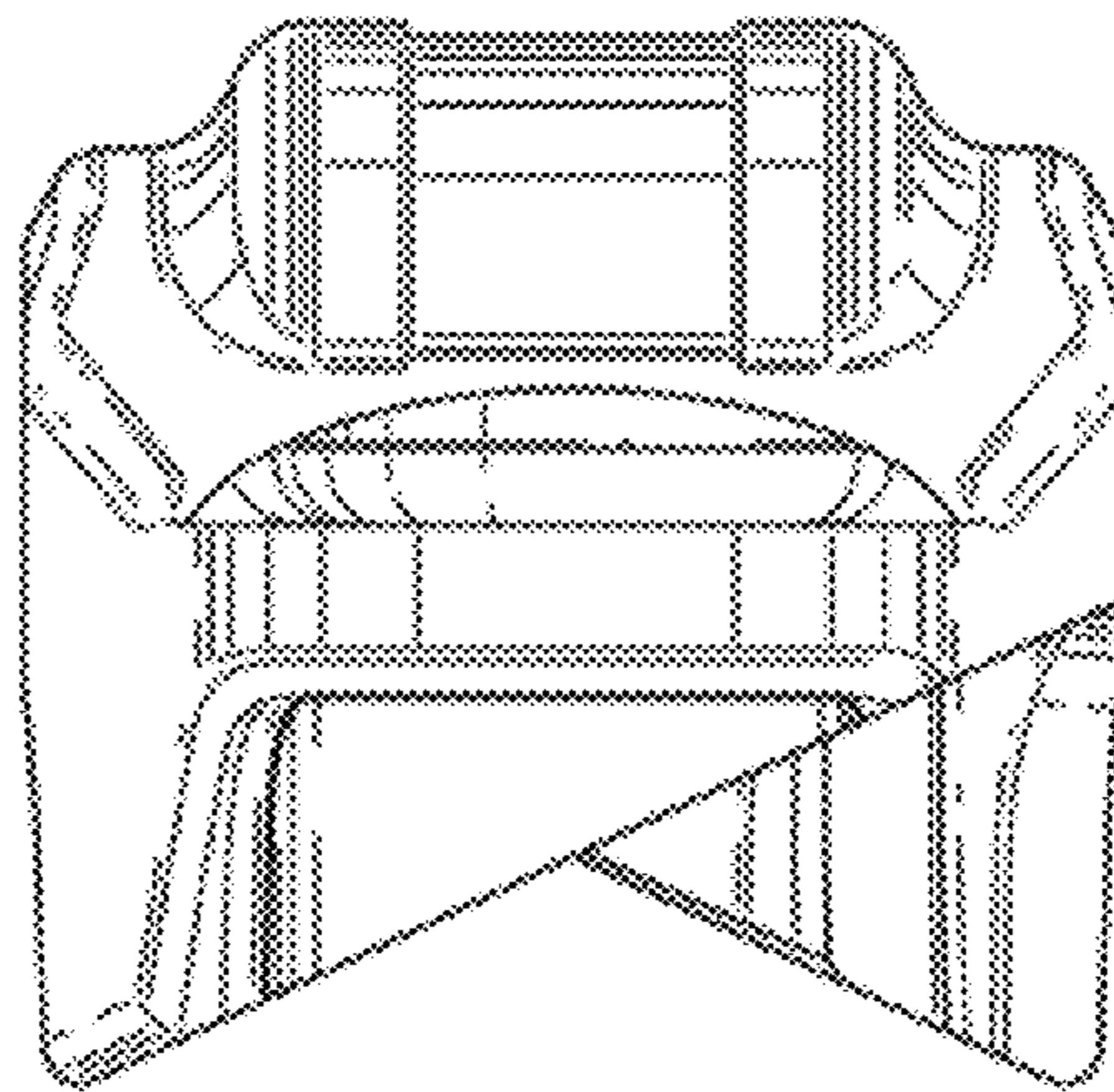
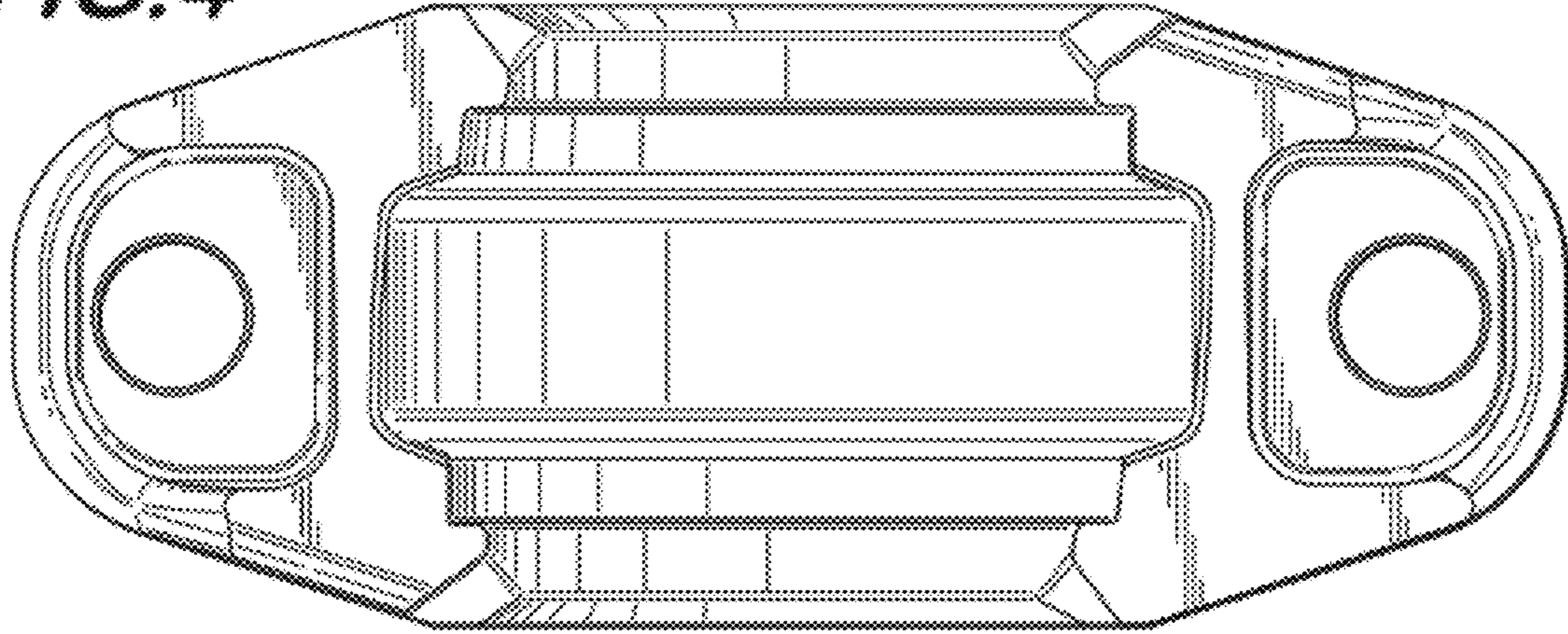
FIG. 5 is a left side view of the design for the pipe coupling shown in FIG. 1, the right side view being identical.

**1 Claim, 2 Drawing Sheets**





**FIG. 4**



**FIG. 5**