

US00D665888S

(12) **United States Design Patent**
Wilk, Jr. et al.

(10) **Patent No.:** **US D665,888 S**

(45) **Date of Patent:** **** Aug. 21, 2012**

(54) **PIPE COUPLING SEGMENT**

(75) Inventors: **Charles E. Wilk, Jr.**, Slatington, PA (US); **Douglas R. Dole**, Whitehouse Station, NJ (US); **Anthony J. Cuvo**, Coopersburg, PA (US); **Scott D. Madara**, Nazareth, PA (US)

(73) Assignee: **Victaulic Company**, Easton, PA (US)

(**) Term: **14 Years**

(21) Appl. No.: **29/403,749**

(22) Filed: **Oct. 11, 2011**

(51) **LOC (9) Cl.** **23-01**

(52) **U.S. Cl.** **D23/262**

(58) **Field of Classification Search** D23/259-262;
D8/396; 239/428.5; 261/DIG. 22; 285/1,
285/112, 179, 340, 367, 404, 53, 915; 403/291,
403/300; 411/5, 10; 137/801

See application file for complete search history.

(56) **References Cited**

U.S. PATENT DOCUMENTS

| | | | | | |
|--------------|------|---------|---------------|-------|---------|
| D142,057 | S * | 8/1945 | Baxter | | D23/265 |
| 6,626,466 | B1 * | 9/2003 | Dole | | 285/112 |
| 7,090,259 | B2 * | 8/2006 | Dole | | 285/367 |
| 7,540,540 | B2 * | 6/2009 | Kwon et al. | | 285/411 |
| D616,968 | S * | 6/2010 | Bowman et al. | | D23/262 |
| D618,315 | S * | 6/2010 | Bowman et al. | | D23/262 |
| D625,788 | S * | 10/2010 | Madara et al. | | D23/262 |
| D629,083 | S * | 12/2010 | Dole et al. | | D23/262 |
| D650,889 | S * | 12/2011 | van Walraven | | D23/265 |
| 2004/0036291 | A1 * | 2/2004 | Dole | | 285/367 |

OTHER PUBLICATIONS

Chionchio, John A.; Pipe Coupling Segment; U.S. Appl. No. 29/403,604, filed Oct. 7, 2011, Specification and Claim (pp. 1-2), Drawings (pp. 3-6).

Chionchio, John A.; Pipe Coupling Segment; U.S. Appl. No. 29/403,754, filed Oct. 11, 2011, Specification and Claim (pp. 1-2), Drawings (pp. 3-6).

Chionchio, John A.; Pipe Coupling Segment; U.S. Appl. No. 29/403,756, filed Oct. 11, 2011, Specification and Claim (pp. 1-2); Drawings (pp. 3-6).

Chionchio, John A.; Pipe Coupling Segment; U.S. Appl. No. 29/403,759, filed Oct. 11, 2011, Specification and Claim (pp. 1-2); Drawings (pp. 3-6).

Chionchio, John A.; Pipe Coupling Segment; U.S. Appl. No. 29/403,762, filed Oct. 11, 2011, Specification and Claim (pp. 1-2); Drawings (pp. 3-6).

* cited by examiner

Primary Examiner — Eric Goodman

(74) *Attorney, Agent, or Firm* — Ballard Spahr LLP

(57) **CLAIM**

We claim the ornamental design for a pipe coupling segment, as shown and described.

DESCRIPTION

FIG. 1 is an isometric view of our new design for a pipe coupling;

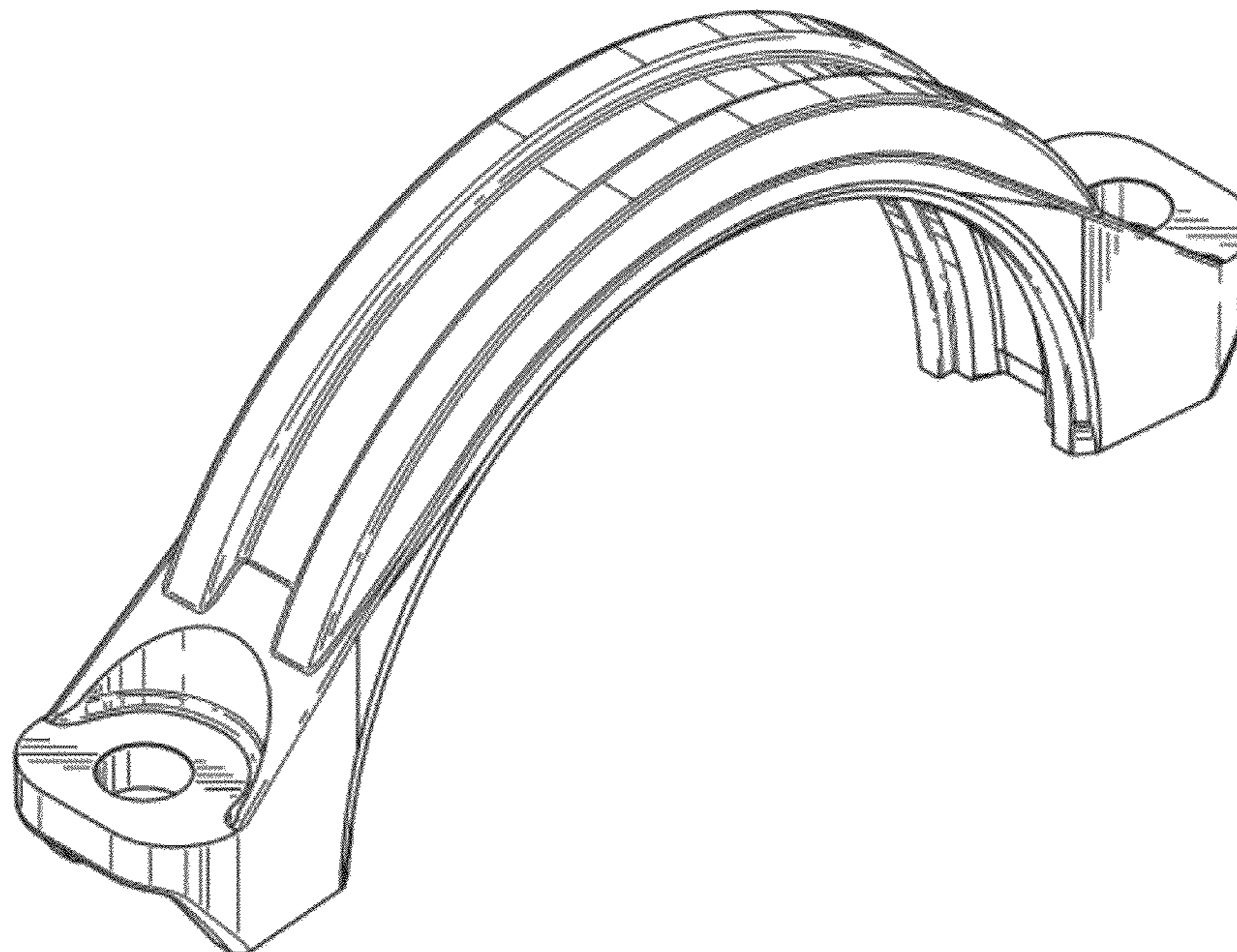
FIG. 2 is a front view of the design for the pipe coupling shown in FIG. 1, the rear view being identical;

FIG. 3 is a top view of the design for the pipe coupling shown in FIG. 1;

FIG. 4 is a bottom view of the design for the pipe coupling shown in FIG. 1; and,

FIG. 5 is a left side view of the design for the pipe coupling shown in FIG. 1, the right side view being identical.

1 Claim, 2 Drawing Sheets



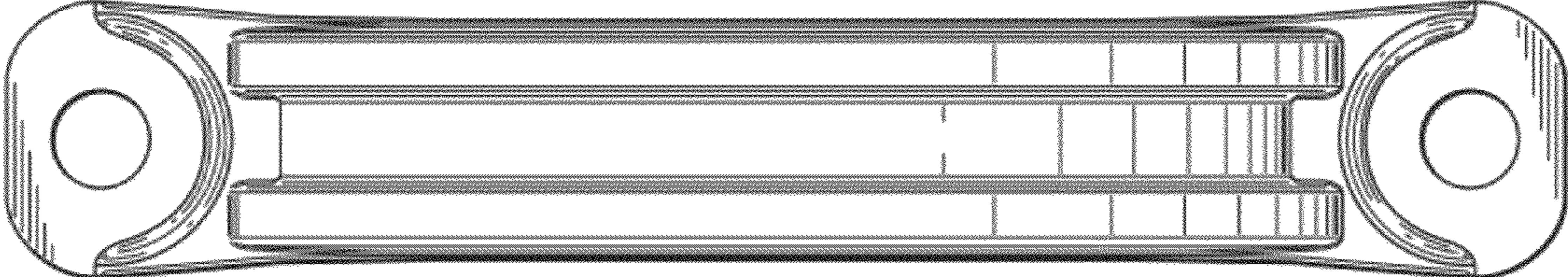
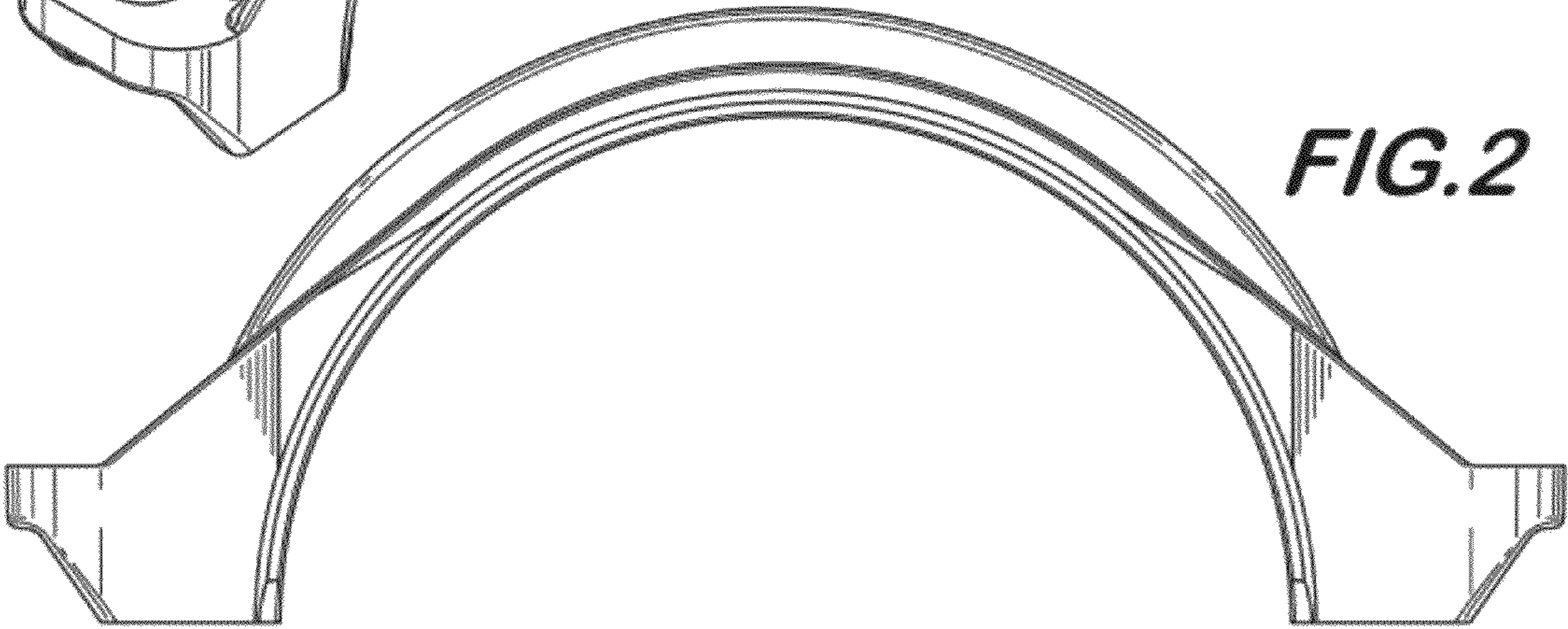
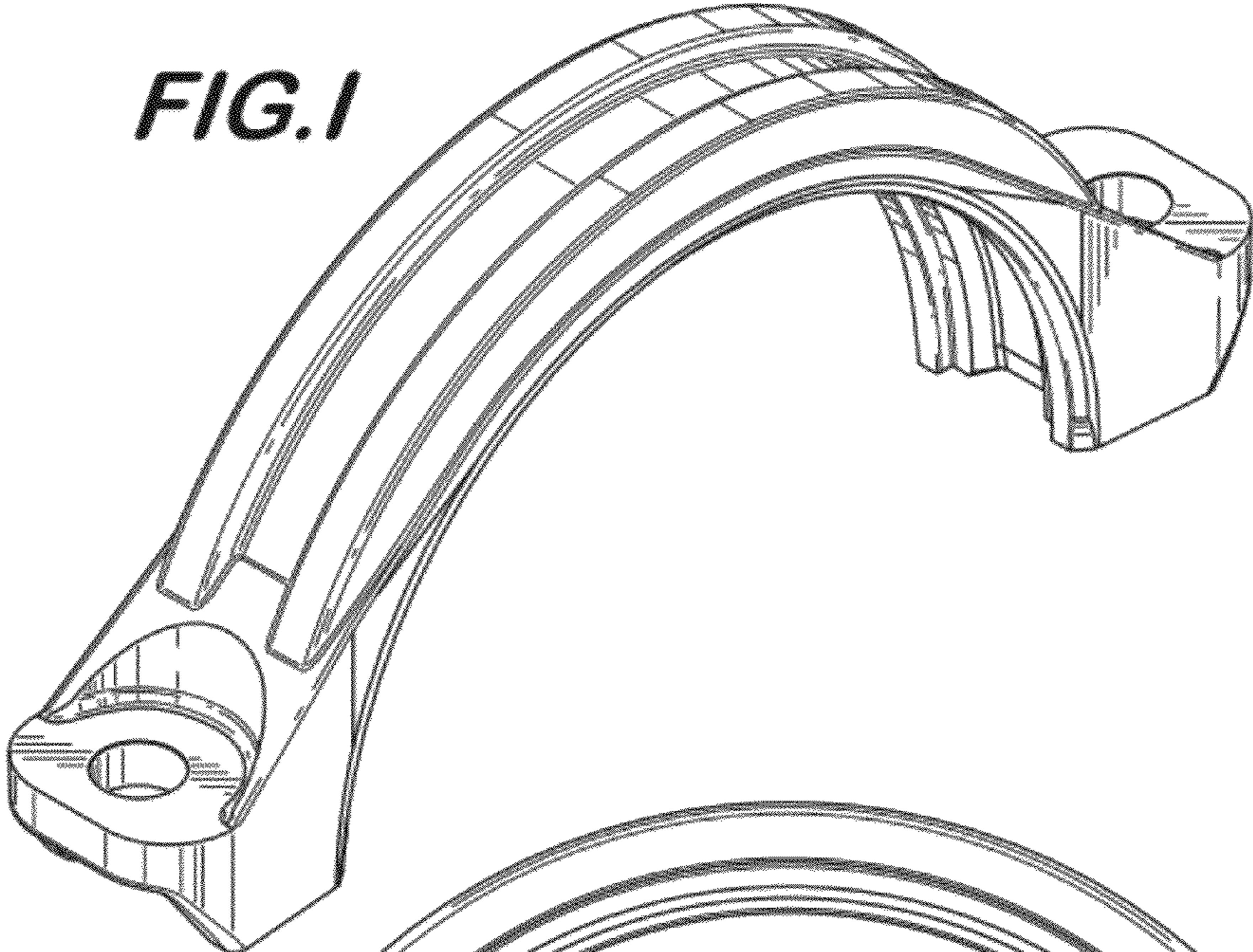


FIG.4

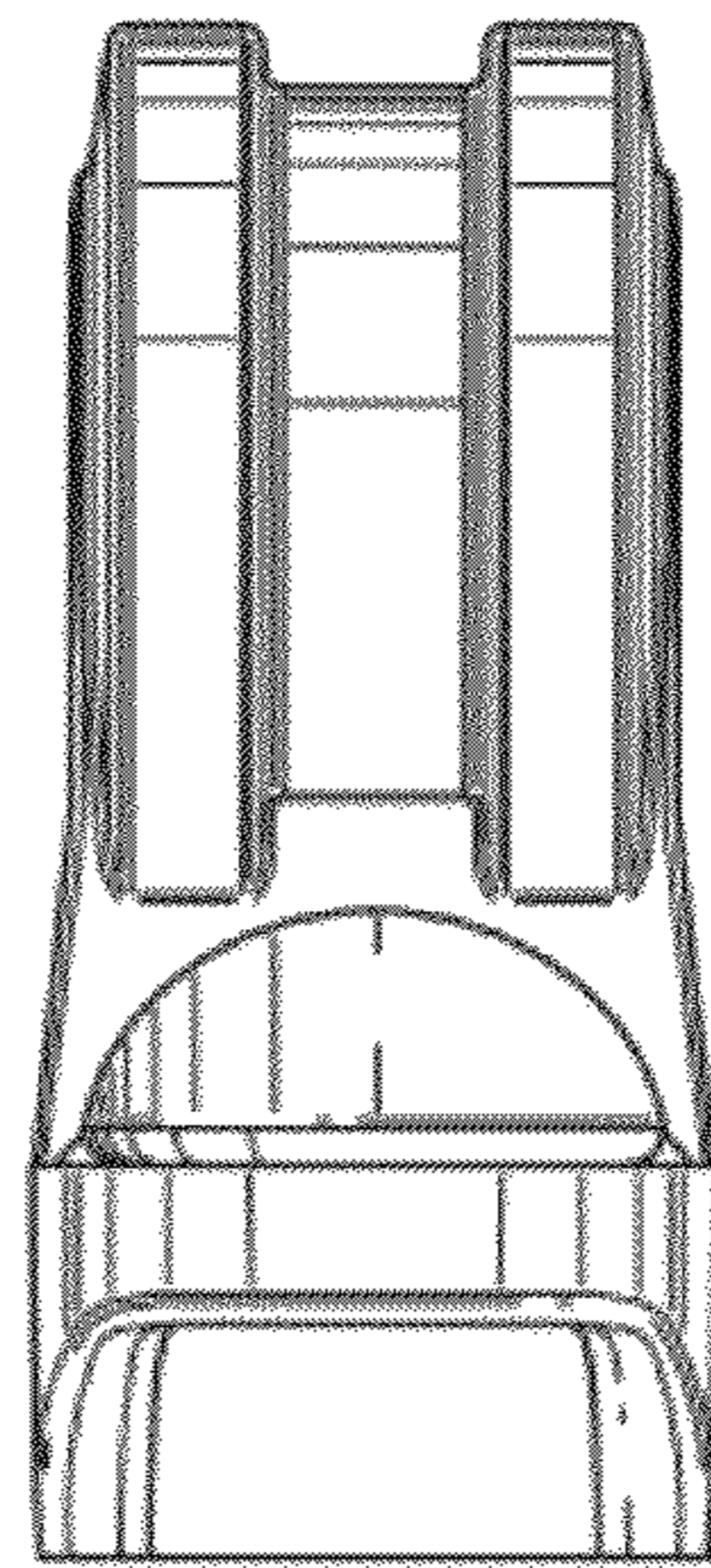
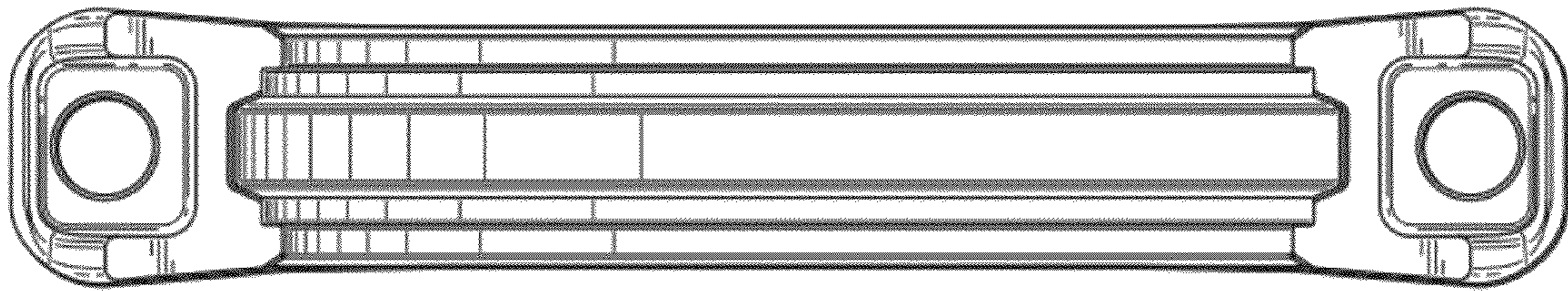


FIG.5