



US00D665887S

(12) **United States Design Patent**
Zeyfang

(10) **Patent No.:** **US D665,887 S**

(45) **Date of Patent:** **** Aug. 21, 2012**

(54) **FLANGE PROTECTOR**

(75) **Inventor:** **Frederick W. Zeyfang**, Erie, PA (US)

(73) **Assignee:** **Protective Industries, Inc.**, Buffalo, NY (US)

(**) **Term:** **14 Years**

(21) **Appl. No.:** **29/416,977**

(22) **Filed:** **Mar. 29, 2012**

Related U.S. Application Data

(62) Division of application No. 29/347,817, filed on Jun. 14, 2010.

(51) **LOC (9) Cl.** **23-01**

(52) **U.S. Cl.** **D23/260**

(58) **Field of Classification Search** D23/260-261; 239/201, 458; 285/239, 458; 40/316; 138/89, 138/109-110, 119, 134, 135; D8/398; D9/454
See application file for complete search history.

(56) **References Cited**

U.S. PATENT DOCUMENTS

D223,156 S * 3/1972 Campbell D23/260
D252,156 S * 6/1979 Tabony et al. D23/260

D351,220 S * 10/1994 Barnes D23/260
D353,444 S * 12/1994 Merrett D23/260
D359,451 S * 6/1995 Dees D9/443
7,134,454 B2 * 11/2006 Montminy 138/89
D606,632 S * 12/2009 Price D23/260
D606,633 S * 12/2009 Price D23/260
D614,736 S * 4/2010 Freiler D23/260

* cited by examiner

Primary Examiner — Eric Goodman

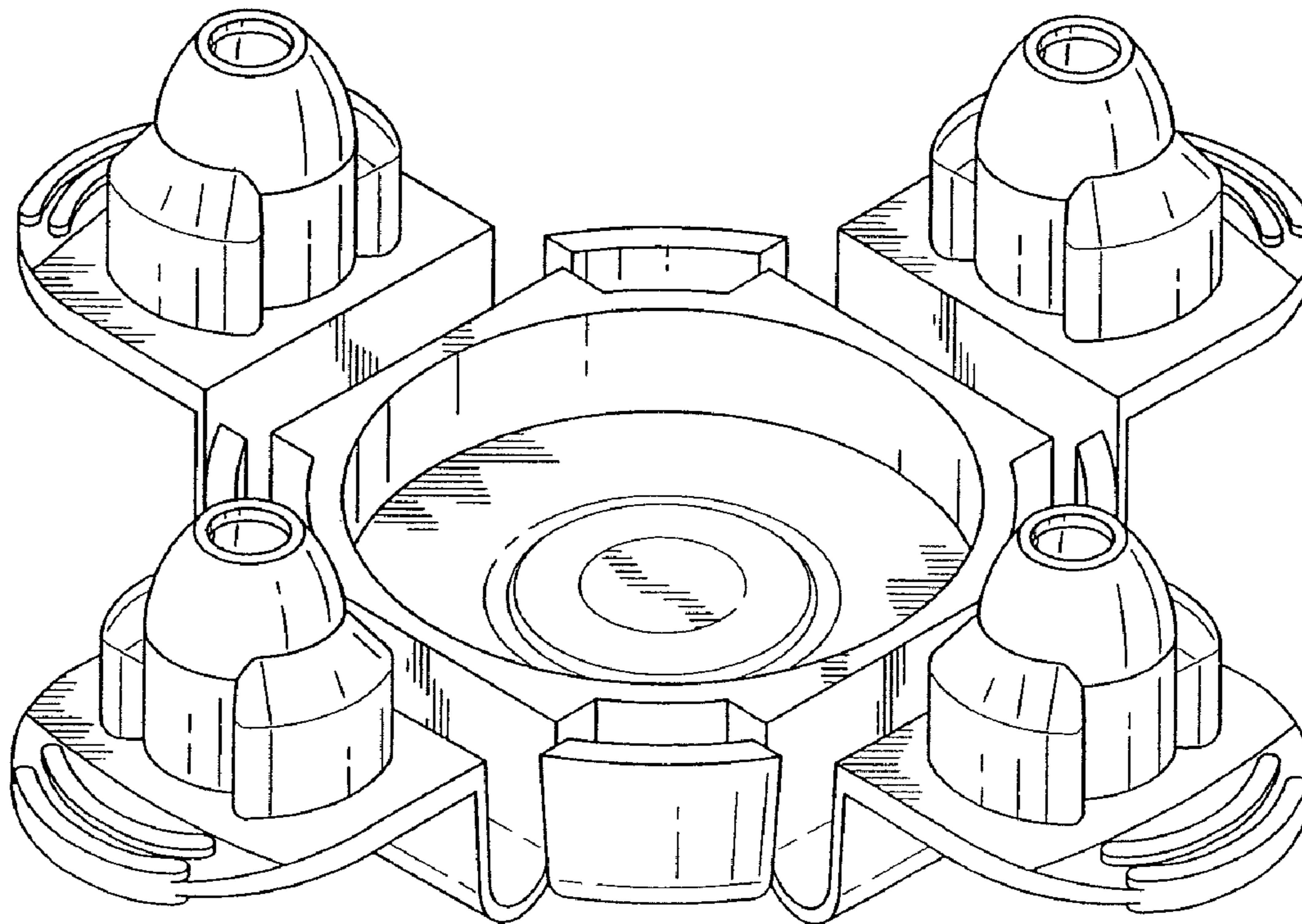
(57) **CLAIM**

The ornamental design for a flange protector, as shown and described.

DESCRIPTION

FIG. 1 is a bottom perspective view of a flange protector showing my new design;
FIG. 2 is a top perspective view of the flange protector of FIG. 1;
FIG. 3 is a bottom view of the flange protector of FIG. 1;
FIG. 4 is a top view of the flange protector of FIG. 1;
FIG. 5 is a side view of the flange protector of FIG. 1; and,
FIG. 6 is a side view of the flange protector of FIG. 1, rotated 90 degrees.

1 Claim, 3 Drawing Sheets



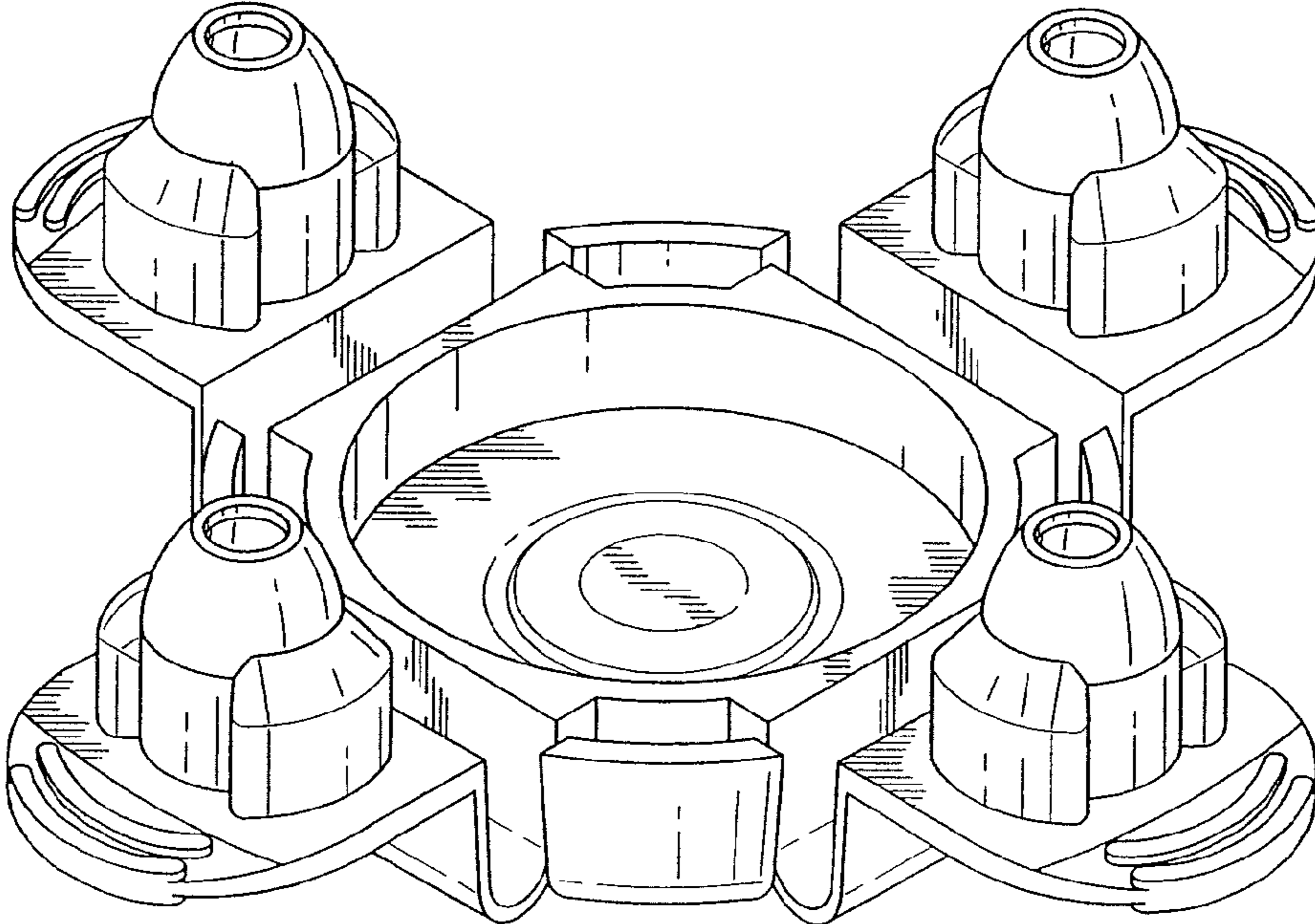


FIG. 1

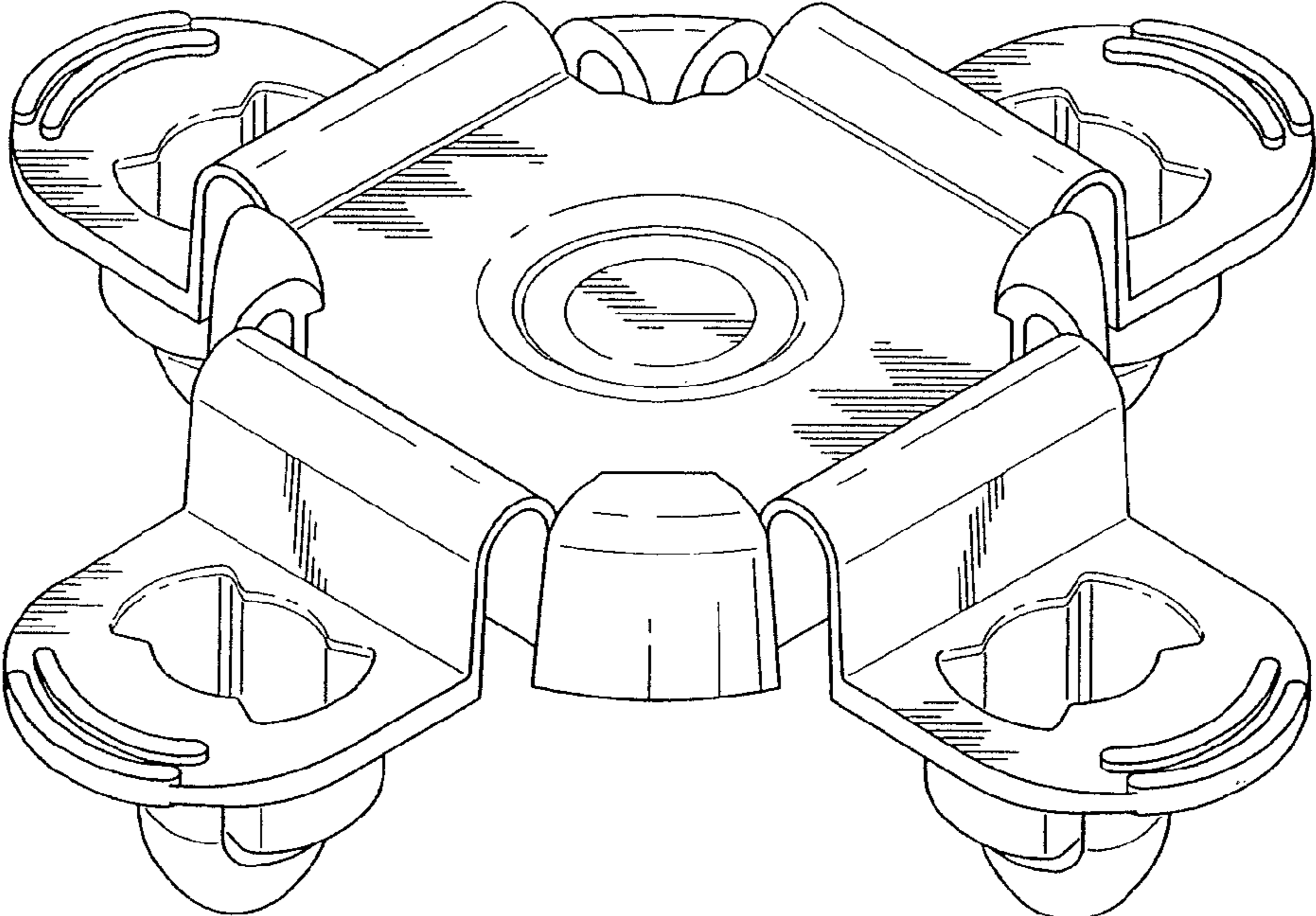


FIG. 2

FIG. 3

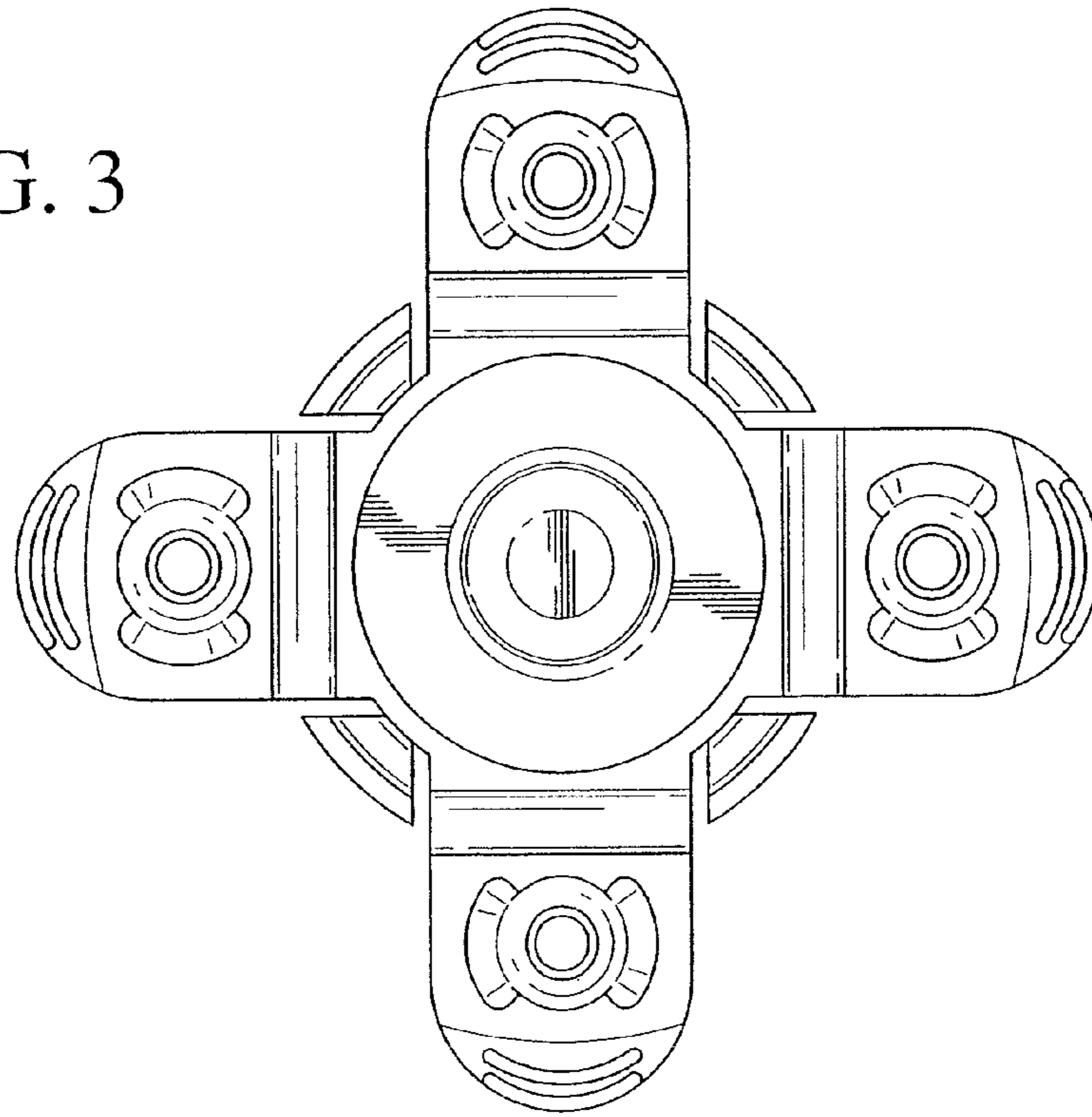
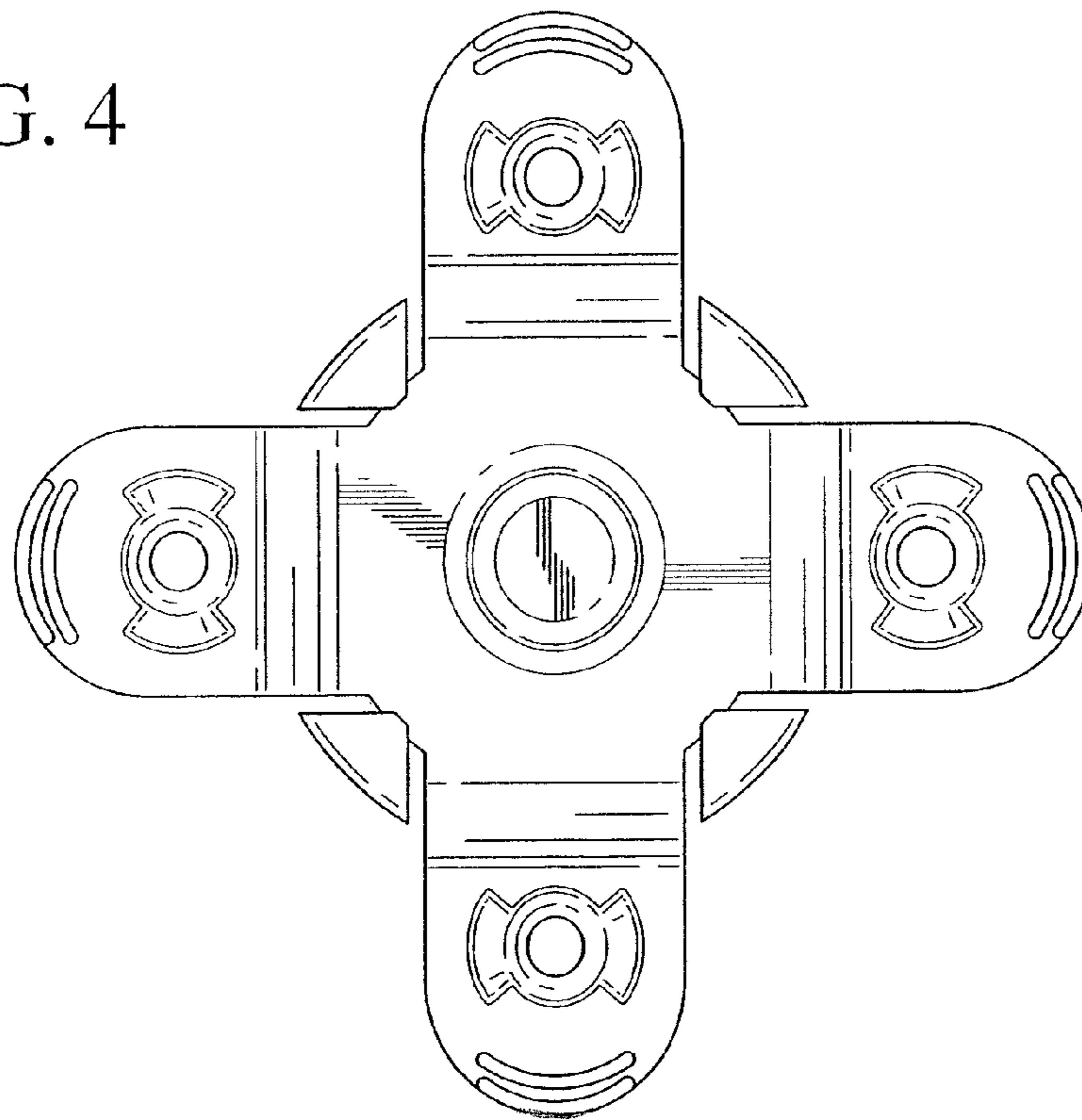


FIG. 4



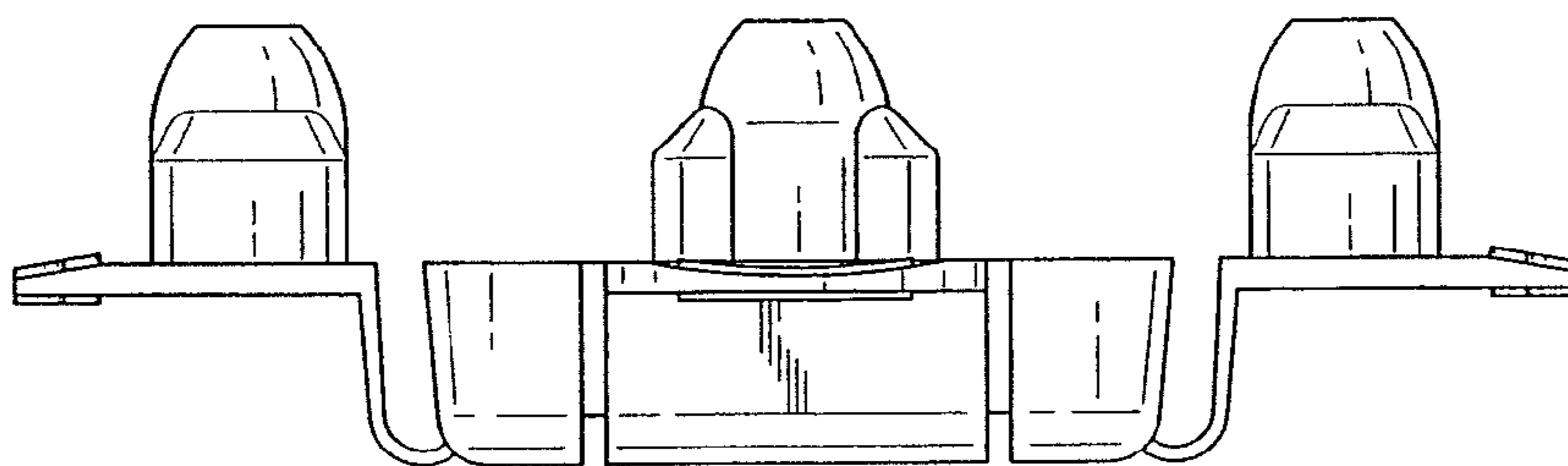


FIG. 5

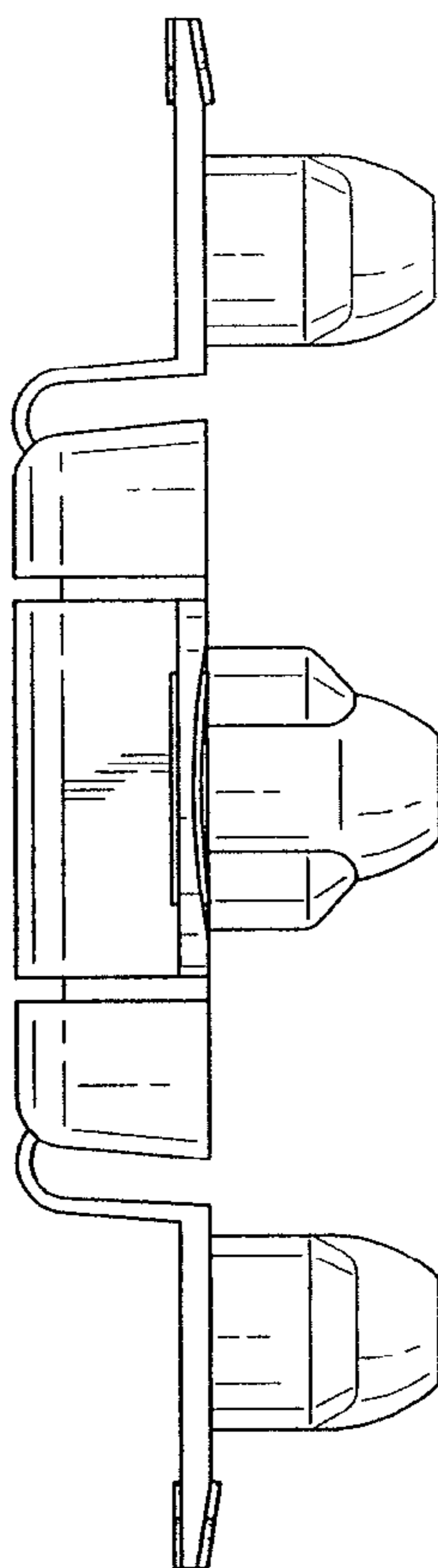


FIG. 6